

**WARING**  
**COMMERCIAL**

**MX1100XT**

64 oz. BPA-Free copolyester container

**MX1100XTC**

ServeCanada 64 oz. BPA-Free copolyester container

**MX1100XTP**

32-48 oz. BPA-Free copolyester container

**MX1100XTS**

64 oz. stainless steel container

**MX1100XTSEC**

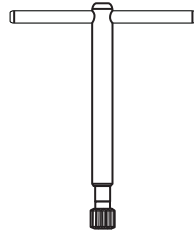
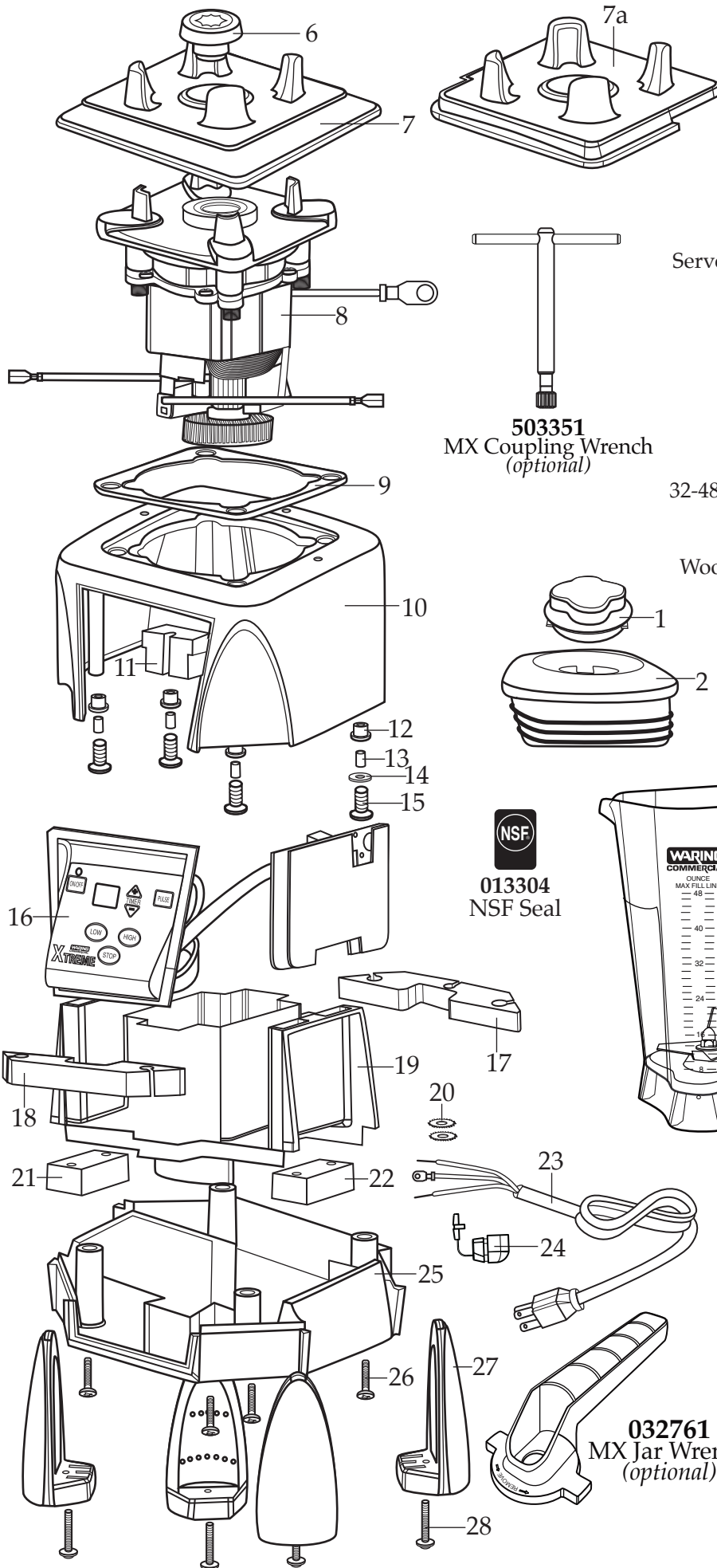
32-48 oz. BPA-Free copolyester container with SE1000

**MX1100XTWT**

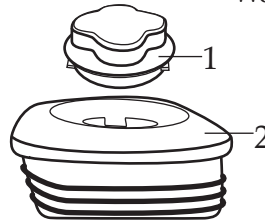
Woody's 32-48 oz. BPA-Free copolyester container

**NDG1100XT**

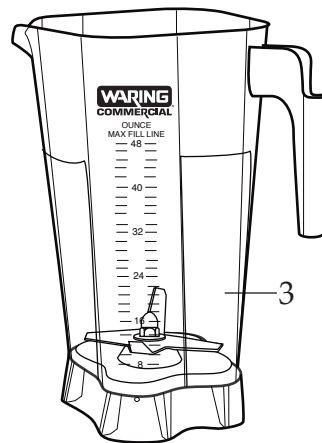
NextDayGourmet-private label  
64 oz. BPA-Free copolyester container



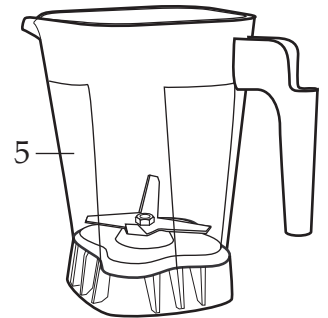
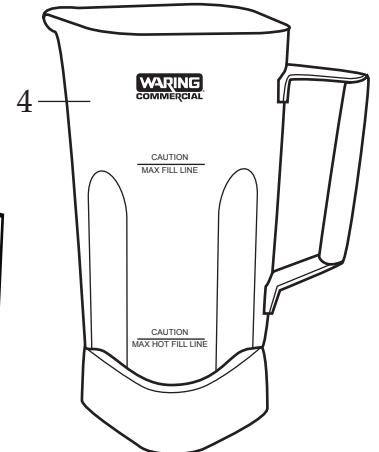
**503351**  
MX Coupling Wrench  
(optional)



**NSF**  
**013304**  
NSF Seal



**032761**  
MX Jar Wrench  
(optional)



**Unit Information**

Limited 3 Year Motor Warranty  
Two Year Parts & Labor  
60Hz - 13 Amps  
3 HP Motor - 30,000+ RPM's  
30 Second Electronic Countdown Timer  
One Piece Dishwasher Safe Removable Jar Pad

Catalog	Model
MX1100XT	MX1100XT11
MX1100XTC	MX1100XTC
MX1100XTP	MX1100XT21
MX1100XTS	MX1100XT31
MX1100XTSEC	MX1100XTSEC
MX1100XTWT	MX1100XT21
NDG1100XT	MX1100XT11



Illustration #	Part #	Description
1	026425-E	Jar Lid Cover
2	026424-V	Jar Lid
3	503398	Jar with Blending Assembly (64 oz. Eastman)
4	503346	Jar with Blending Assembly (64 oz. stainless steel)
5	503348	Jar with Blending Assembly (32-48 oz. Eastman)
6	028538	Drive Clutch
7	026442	Jar Pad
7a	026443	Jar Pad for sound enclosure
8	028100	Motor
9	026437	Dampening Plate Gasket
10	028032-09	Top Housing (black)
11	028541	Motor Foam (2 Required)
12	026439	Dampening Plate Bushing (4 Required)
13	026453	Dampening Plate Sleeve (4 Required)
14	026459	Washer
15	028929	Screw (4 Required)
	026459	Washer (4 Required <i>older units</i> )
	026455	Screw (4 Required <i>older units</i> )
16	029810	Soft Start Control Panel
	028904	NextDay Gourmet Control Panel
17	028248	Housing Foam Rear Baffle
18	028249	Housing Foam Front Baffle
19	028240	Motor Housing
20	002943	Washer (2 Required)
21	028247	Bottom Housing Foam Baffle
22	028542	Foam Baffle
23	026925	Cord Set
24	007556	Strain Relief
25	028241-09-x	Bottom Housing (black)
26	012505	Screw (4 Required)
27	026430	Corner Post (4 Required)

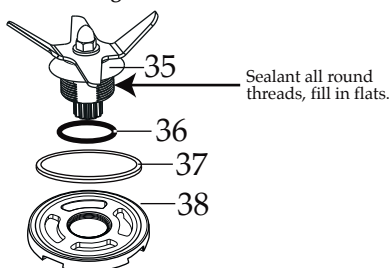
Catalog	Model
MX1100XT	MX1100XT11
MX1100XTC	MX1100XTC
MX1100XTP	MX1100XT21
MX1100XTS	MX1100XT31
MX1100XTSEC	MX1100XTSEC
MX1100XTWT	MX1100XT21
NDG1100XT	MX1100XT11

Illustration #	Part #	Description
28	028928 026459 012505	Screw (4 Required) Washer (4 Required <i>older units</i> ) Screw (4 Required <i>older units</i> )
29	026432-E	Inner Enclosure
30	026433-E	Outer Enclosure
31	027447	O Ring (2 Required)
32	026461	Screw (3 Required)
33	026434	Sound Enclosure Handle
34	012505	Screw (2 Required)
35	503345	Blade Assembly
36	024271	O Ring
37	024268	Nut Gasket
38	029631	Bearing Holder Nut
39	026423-E	64 oz. Eastman Container
40	503308	32-48 oz. Eastman Container

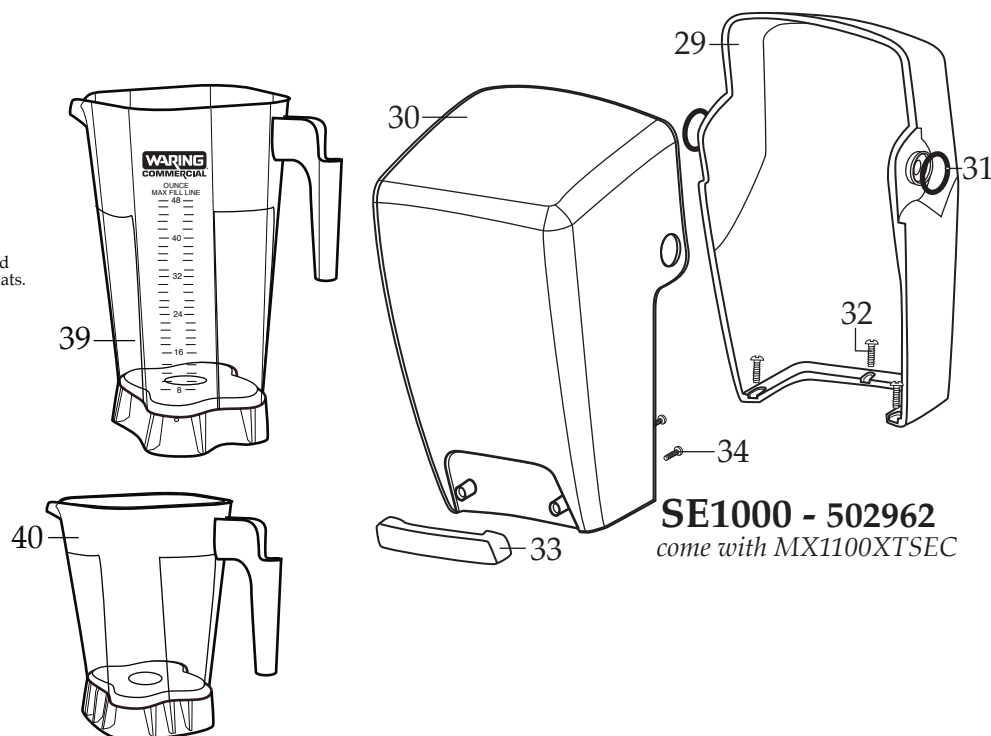
**Notes for 503398 & 503348 :**

Torque 100-125 in/lbs

Sealant all around the threads, fill in flats.  
Dow Corning Sealant RTV 733



**031060**  
Blending Assy. Kit

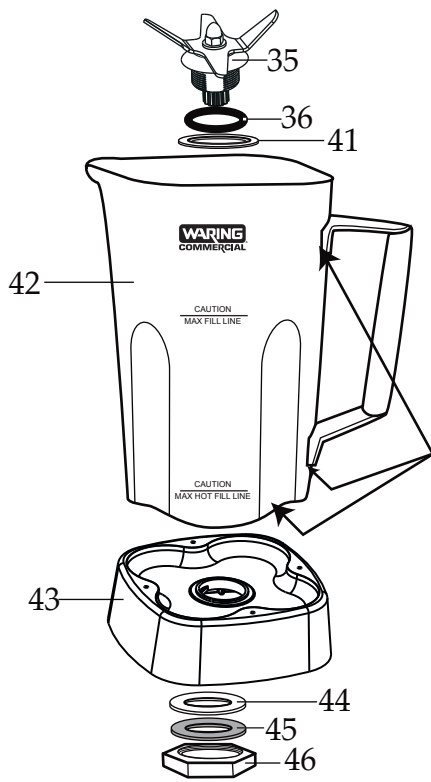


**SE1000 - 502962**  
come with MX1100XTSEC

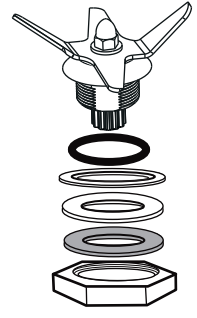
Catalog	Model
MX1100XT	MX1100XT11
MX1100XTC	MX1100XTC
MX1100XTP	MX1100XT21
MX1100XTS	MX1100XT31
MX1100XTSEC	MX1100XTSEC
MX1100XTWT	MX1100XT21
NDG1100XT	MX1100XT11

**Waring Factory Service Center**  
 314 Ella T. Grasso Ave.  
 Torrington, CT 06790  
 Tele. 1-800-269-6640  
 Fax 860-496-9017  
 www.waringcommercialproducts.com

Illustration #	Part #	Description
41	026798	Support Washer
42	026648	64 oz. Stainless Steel Containter
43	026649	Container Support
44	026797	Bearing Holder Gasket
45	026796	Bearing Holder Washer
46	026795	Stainless Steel Jar Bearing Holder Nut



Sealant applied all round these indicated areas.



**032483**  
Blending Assembly Kit

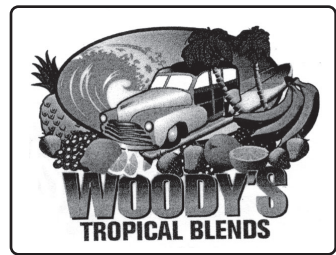
**503346 - Stainless Steel Container**

**Notes for 503346 :**

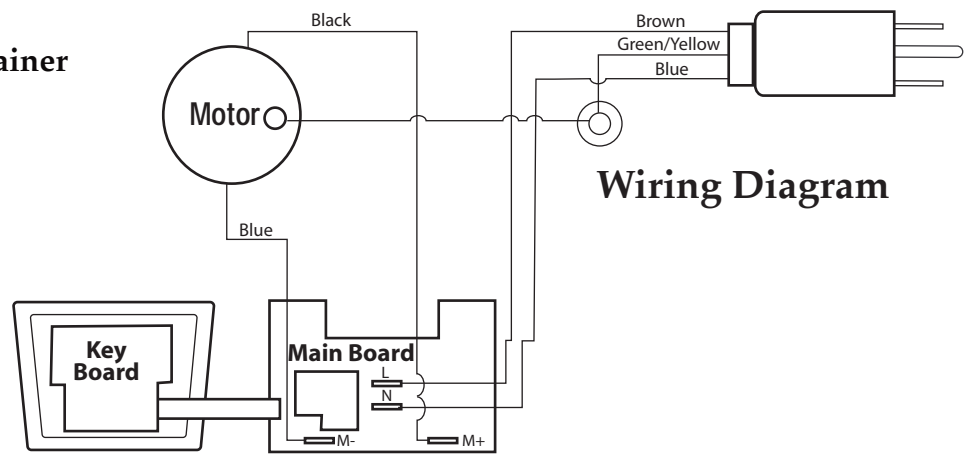
- Torque 100-125 in/lbs
- Sealant applied all around indicated areas.  
Dow Corning Sealant RTV 733
- Lubricant applied to O Ring  
Dow Corning 200 (R) Fluid



**028672**  
NDG Name Plate / NDG1100XT



**028595**  
Woody Label / MX1100XTWT



**Wiring Diagram**