

Unit Information

Limited 3 Year Motor Warranty
Two Year Parts & Labor

60Hz – 13 Amps

Height 19" – Weight 15 lbs.

3 HP Motor

30,000+ RPM's

One Piece Dishwasher Safe
Removable Jar Pad

WARING COMMERCIAL®

MX1000XT

64 oz. BPA-Free copolyester container

MX1000XTP

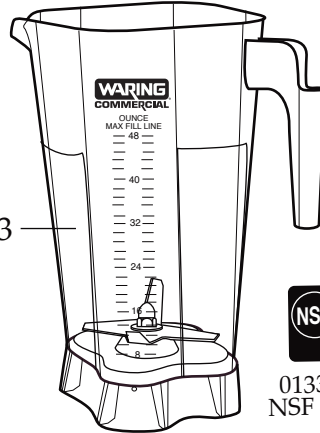
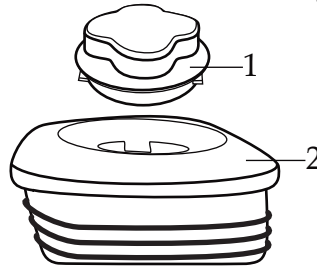
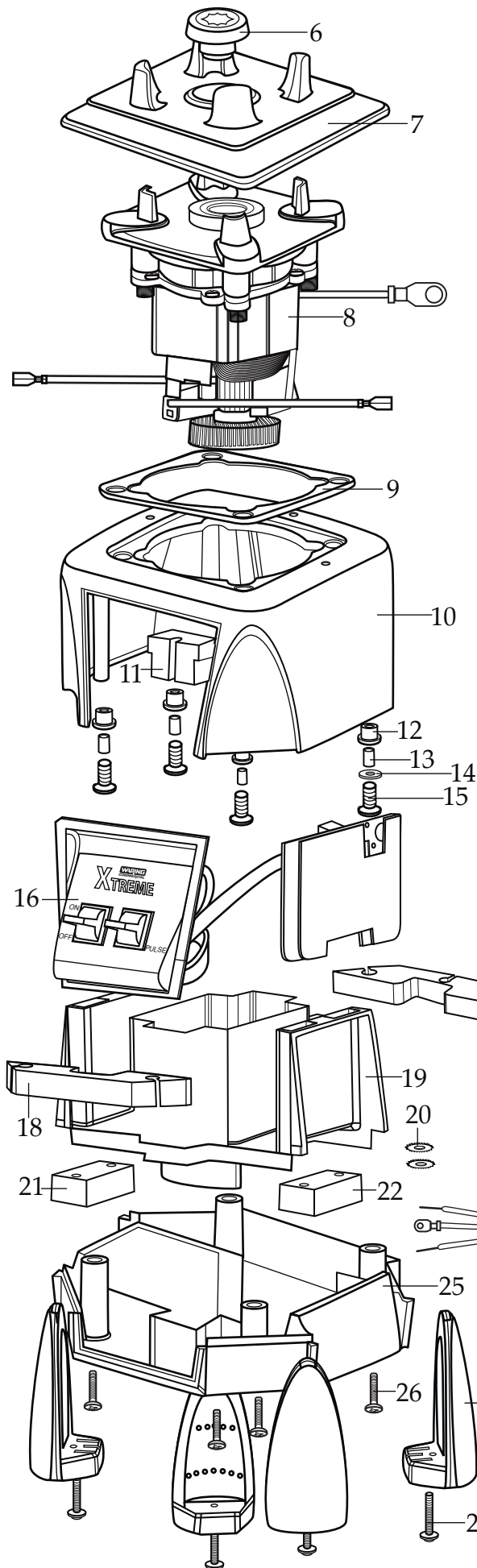
32-48 oz. BPA-Free copolyester container

MX1000XTS

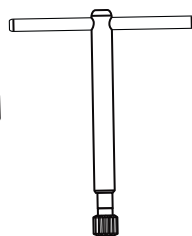
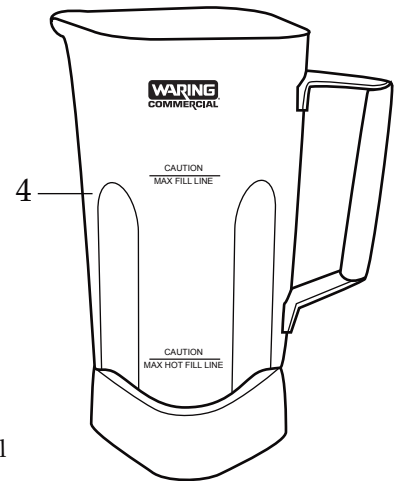
64 oz. stainless steel container

NDG1000XT

NextDayGourmet-private label
64 oz. BPA-Free copolyester container



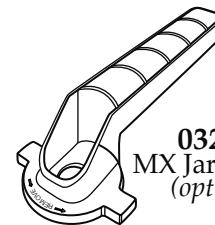
013304
NSF Seal



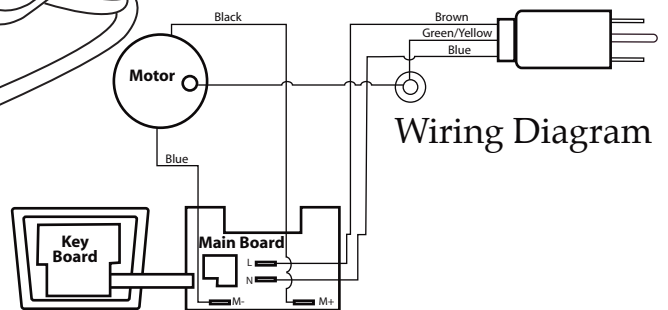
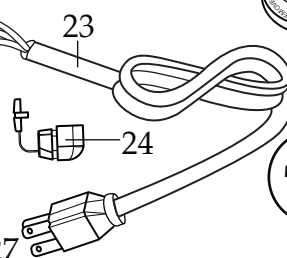
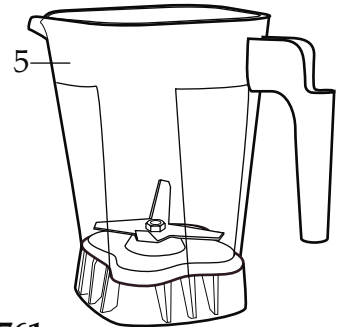
503351
MX Coupling Wrench
(optional)



028671
NDG Name Plate



032761
MX Jar Wrench
(optional)



Wiring Diagram

Catalog	Model
MX1000XT	MX1000XT11
MX1000XTP	MX1000XT21
MX1000XTS	MX1000XT31
NDG1000XT	MX1000XT11



Illustration #	Part #	Description
1	026425-E	Jar Lid Cover
2	026424-V	Jar Lid
3	503398	Jar with Blending Assembly (64 oz. Eastman)
4	503346	Jar with Blending Assembly (64 oz. stainless steel)
5	503348	Jar with Blending Assembly (32-48 oz. Eastman)
6	028538	Drive Clutch
7	026442	Jar Pad
8	028100	Motor
9	026437	Dampening Plate Gasket
10	028032-09	Top Housing (black)
11	028541	Motor Foam (2 Required)
12	026439	Dampening Plate Bushing (4 Required)
13	026453	Dampening Plate Sleeve (4 Required)
14	026459	Washer
15	028929	Screw (4 Required)
	026455	Screw (4 Required <i>older units</i>)
	026459	Washer (4 Required <i>older units</i>)
16	029808	Soft Start Control Panel
	028903	NextDay Gourmet Control Panel
17	028248	Housing Foam Rear Baffle
18	028249	Housing Foam Front Baffle
19	028240	Motor Housing
20	002943	Washer (2 Required)
21	028247	Bottom Housing Foam Baffle
22	028542	Foam Baffle
23	026925	Cord Set
24	007556	Strain Relief
25	028241-09-x	Bottom Housing (black)
26	012505	Screw (4 Required)
27	026430	Corner Post (4 Required)
28	028928	Screw (4 Required)
	026459	Washer (4 Required <i>older units</i>)
	012505	Screw (4 Required <i>older units</i>)

Catalog	Model
MX1000XT	MX1000XT11
MX1000XTP	MX1000XT21
MX1000XTS	MX1000XT31
NDG1000XT	MX1000XT11

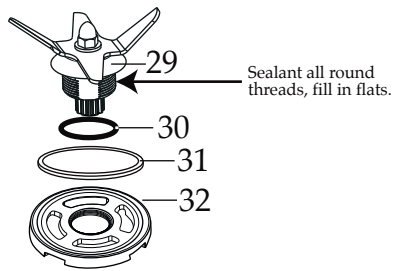
Waring Factory Service Center
 314 Ella T. Grasso Ave.
 Torrington, CT 06790
 Tele. 1-800-269-6640
 Fax 860-496-9017
 www.waringproducts.com

Illustration #	Part #	Description
29	503345	Blade Assembly
30	024271	O Ring
31	024268	Nut Gasket
32	029631	Bearing Holder Nut
33	026423-E	64 oz. Eastman Container
34	503308	32-48 oz. Eastman Container
35	026798	Support Washer
36	026648	64 oz. Stainless Steel Container
37	026649	Container Support
38	026797	Bearing Holder Gasket
39	026796	Bearing Holder Washer
40	026795	Stainless Steel Jar Bearing Holder Nut

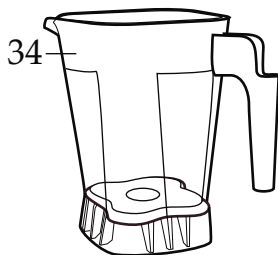
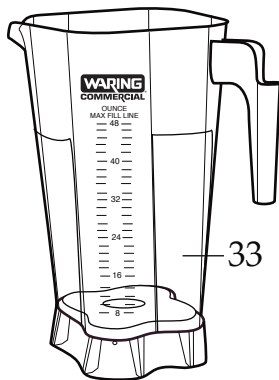
Notes for 503398 & 503348 :

Torque 100-125 in/lbs

Sealant all around the threads, fill in flats.
Dow Corning Sealant RTV 733



031060
Blending Assembly Kit

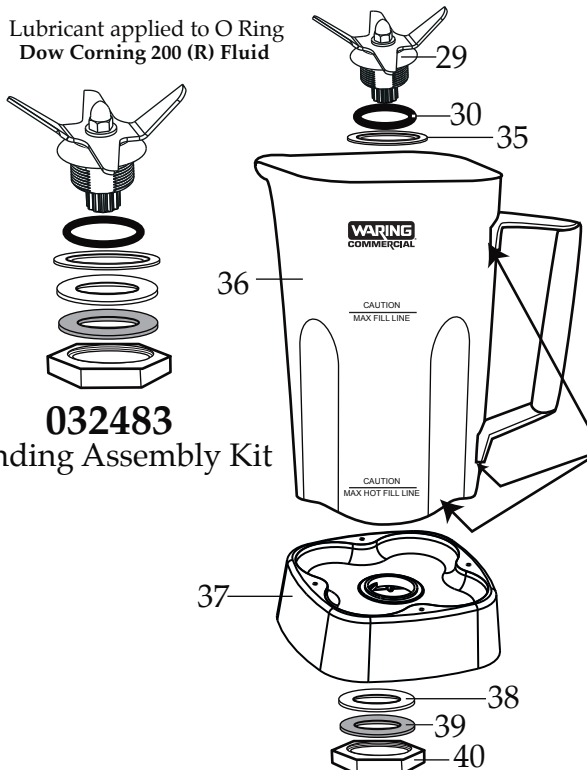


Notes for 503346 :

Torque 100-125 in/lbs

Sealant applied all around indicated areas.
Dow Corning Sealant RTV 733

Lubricant applied to O Ring
Dow Corning 200 (R) Fluid



032483
Blending Assembly Kit

503346 - Stainless Steel Container