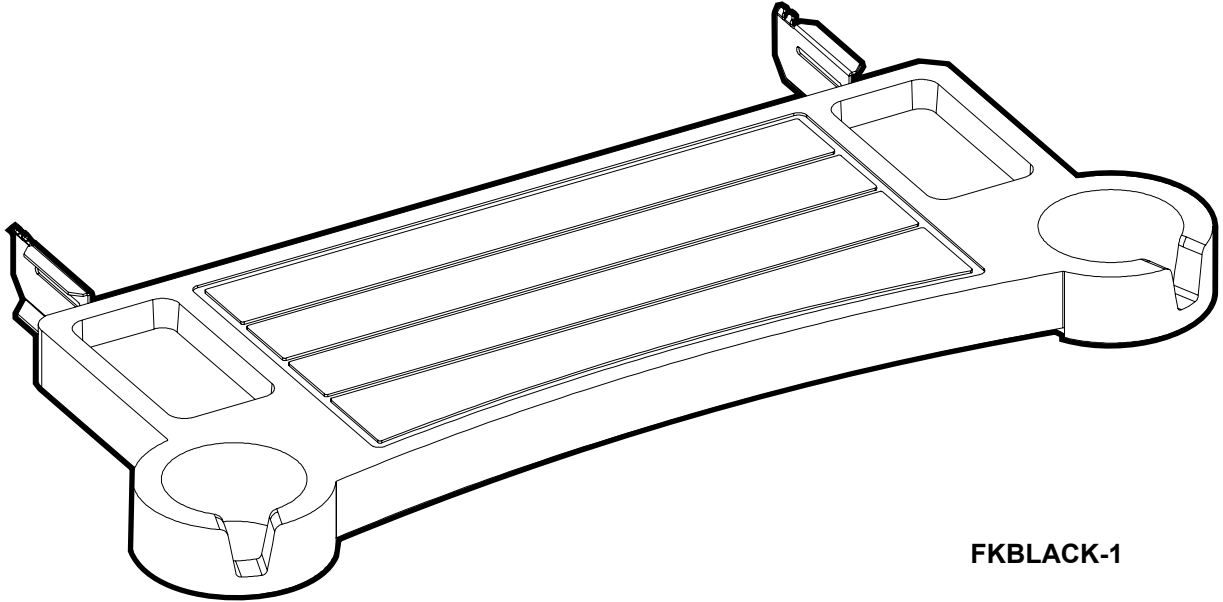




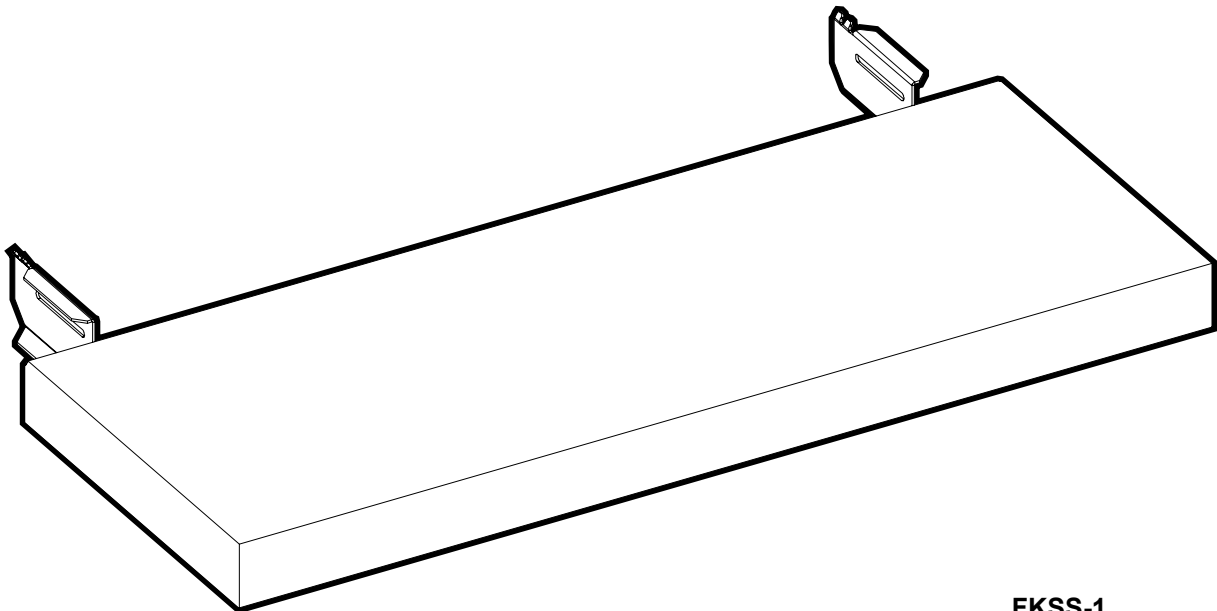
**BROILMASTER<sup>®</sup>**  
**PREMIUM GRILLS**

**SOLID SURFACE FRONT SHELF KIT**



FKBLACK-1

**STAINLESS STEEL FRONT SHELF KIT**



FKSS-1

**RETAIN OWNER'S MANUAL FOR FUTURE REFERENCE.**

# IMPORTANT INFORMATION

## IMPORTANT

Thank you for choosing a Broilmaster Premium Gas Grill. This shelf kit has been designed to fit perfectly and function flawlessly – to provide years of service.

Please read the entire manual and compare the parts list to the parts provided with this kit before you begin the installation. If this shelf kit is missing any parts, contact your Broilmaster dealer. Keep this manual in a safe place to help you identify and order repair parts if they are ever required.

This manual covers the FKBLACK and FKSS front shelves. Refer to the illustration for your shelf, and follow the instructions carefully.

## ▲ CAUTION

These side shelves are designed to support approximately 25 pounds. Exceeding this weight limit may cause damage and void the warranty.

## ▲ CAUTION:

Parts may have sharp edges. Wear leather work gloves and handle parts carefully during unpacking, assembly and installation.

Thank you for purchasing a Broilmaster Grill Accessory.

Broilmaster takes pride in its reputation as the The Most Durable Grill Known to Man.

From its thick aluminum casting to its massive cooking grids, your Broilmaster is built to last. In fact we still make replacement parts for Broilmaster grills built more than 30 years ago.

Visit [www.broilmaster.com](http://www.broilmaster.com) and click on the Hall of Fame to see a sampling of our long-time customers. We hope you enjoy years of great meals prepared on your Broilmaster. And we hope to add your photo to the Hall of Fame one day.

# Thank You!

Broilmaster is a registered trademark of

**Empire Comfort Systems, Inc.**  
918 Freeburg Ave.  
Belleville, Illinois 62220  
Telephone 800-851-3153

# TABLE OF CONTENTS

You have chosen the finest grill for your outdoor cooking pleasure.

Please take time to read this entire manual before assembling your Broilmaster Grill Accessory

<b>ASSEMBLY INSTRUCTIONS .....</b>	<b>5</b>
<b>FKBLACK-1 INSTALLATION INSTRUCTION .....</b>	<b>6-8</b>
FKBLACK PARTS DIAGRAM.....	7
FKBLACK HARDWARE PACKAGE .....	7
FKBLACK ASSEMBLY .....	8
<b>FKSS-1 INSTALLATION INSTRUCTION .....</b>	<b>9-11</b>
FKSS PARTS DIAGRAM.....	10
FKSS HARDWARE PACKAGE .....	10
FKSS ASSEMBLY .....	11
<b>GRILL MAINTENANCE HISTORY .....</b>	<b>12</b>
<b>MASTER PARTS DISTRIBUTOR LIST .....</b>	<b>13</b>

# ASSEMBLY INSTRUCTIONS

## Before You Begin

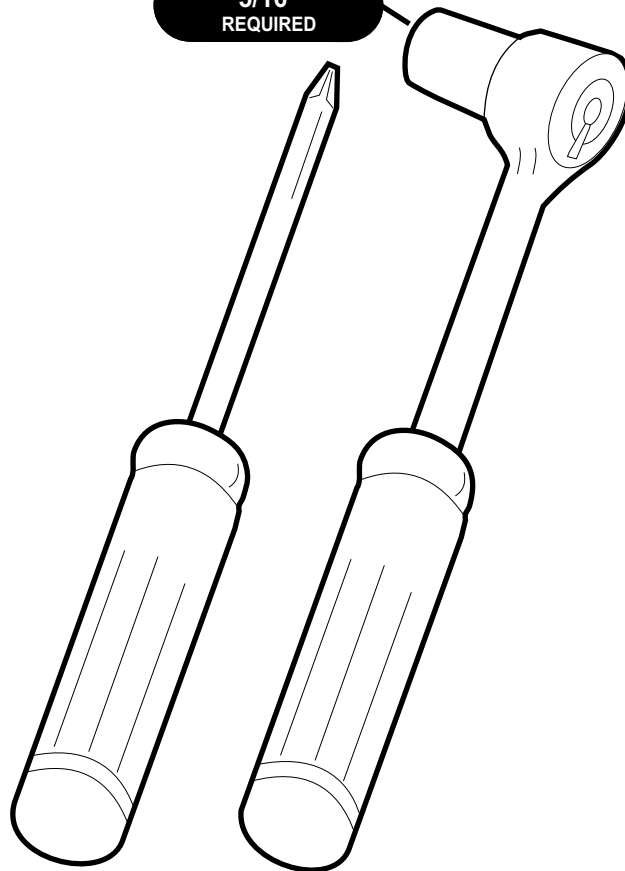
Compare the parts in the box to the parts list provided in this manual. If any are missing, contact your Broilmaster dealer before beginning assembly.



### CAUTION:

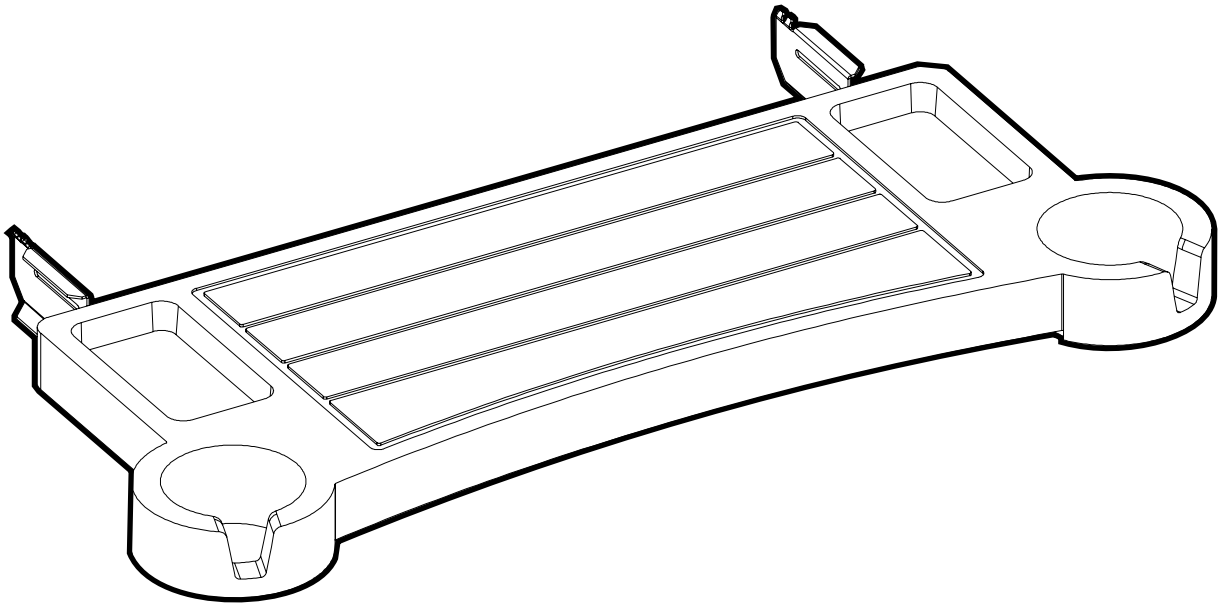
Parts may have sharp edges. For your safety wear leather work gloves and handle parts carefully during unpacking and assembly.

5/16"  
REQUIRED



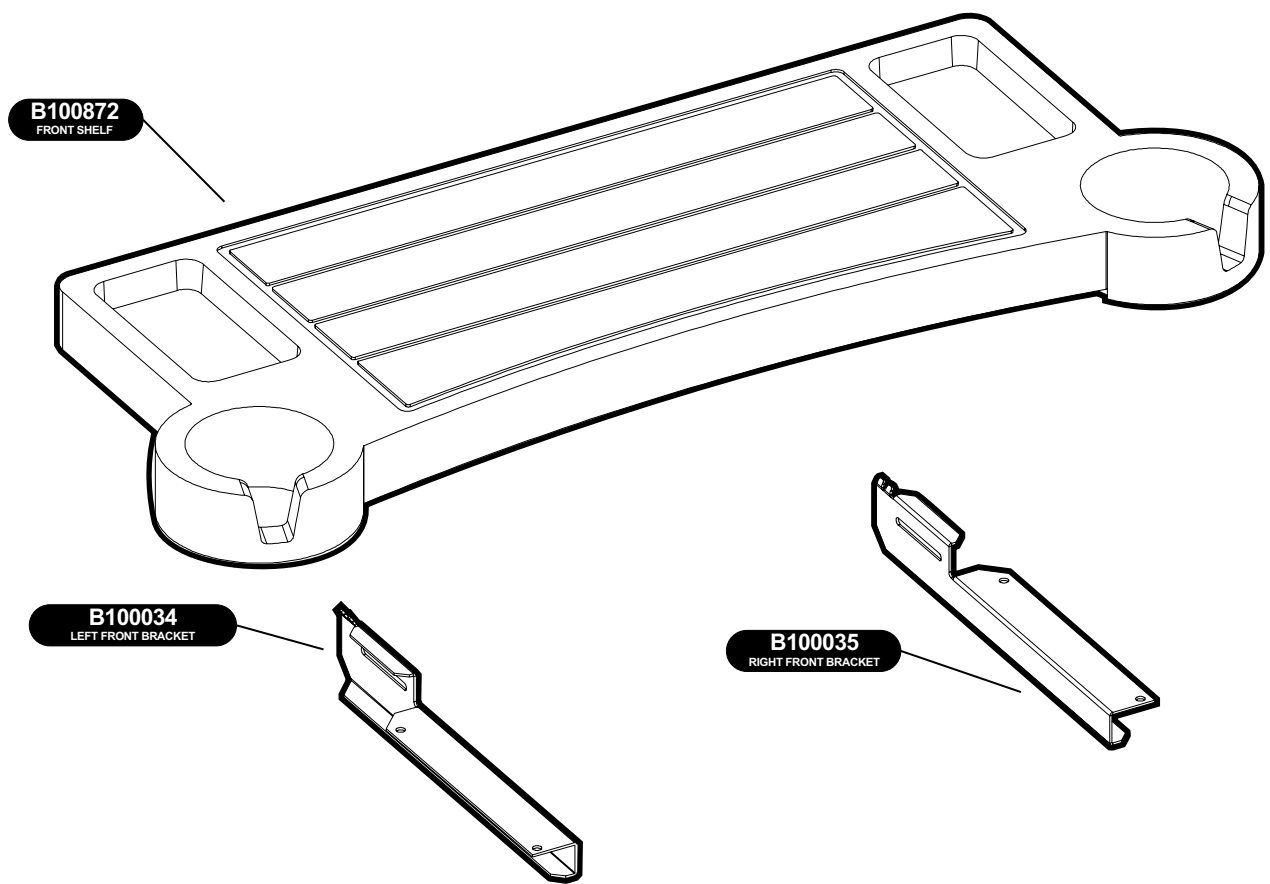
**TOOLS**  
REQUIRED

**BROILMASTER®**  
**PREMIUM GRILLS**

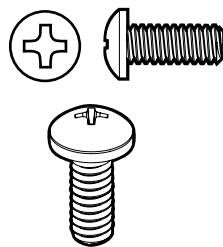


**FKBLACK-1**  
**SOLID SURFACE FRONT SHELF KIT**

# FKBLACK PARTS DIAGRAM



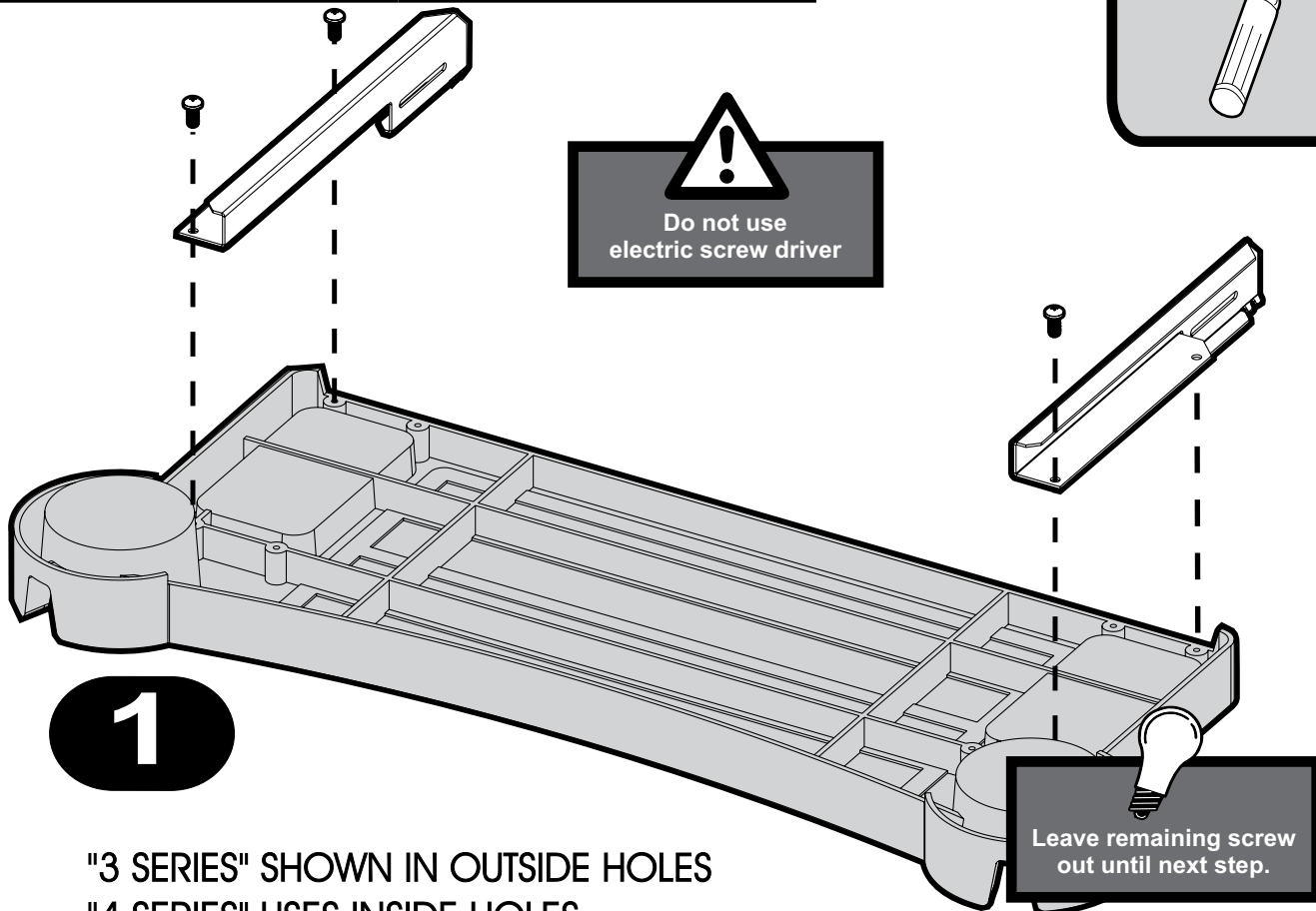
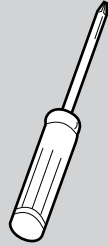
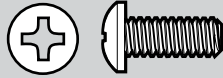
## FKBLACK HARDWARE PACK - B102249



PAN-HEAD SCREW  
SS, 10-24 X 1/2  
R4056  
(4)

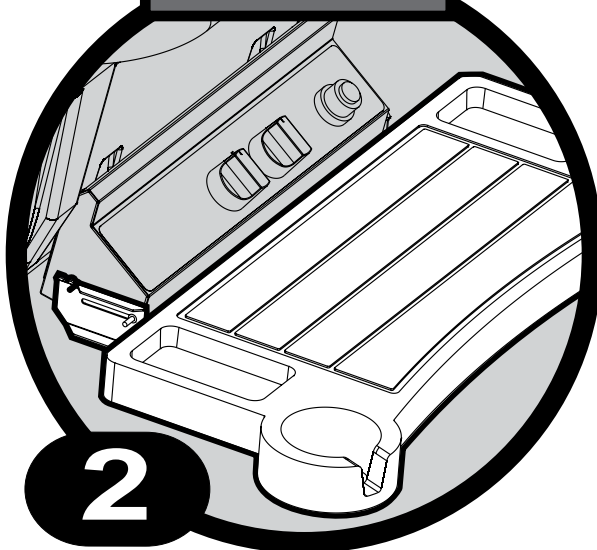
# SOLID SURFACE DROP-DOWN SIDE SHELF INSTALLATION

PHILLIPS PAN HEAD SCREW,  
SS, 10-24 X 1/2  
R4056 (4)

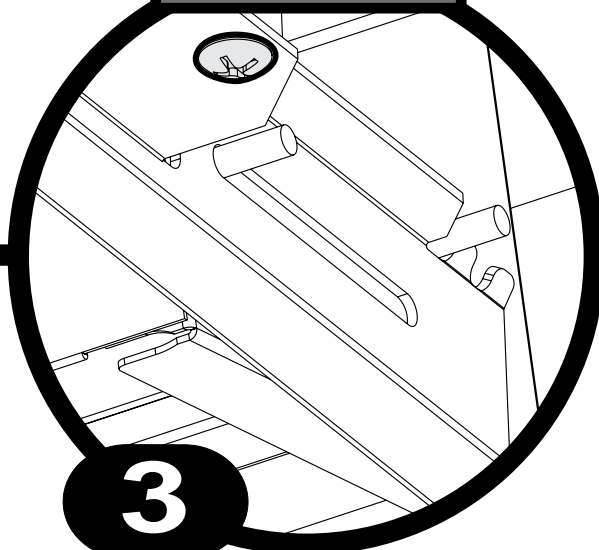


"3 SERIES" SHOWN IN OUTSIDE HOLES  
"4 SERIES" USES INSIDE HOLES

Insert the front Control  
Panel Pin through the  
slots in the Bracket.

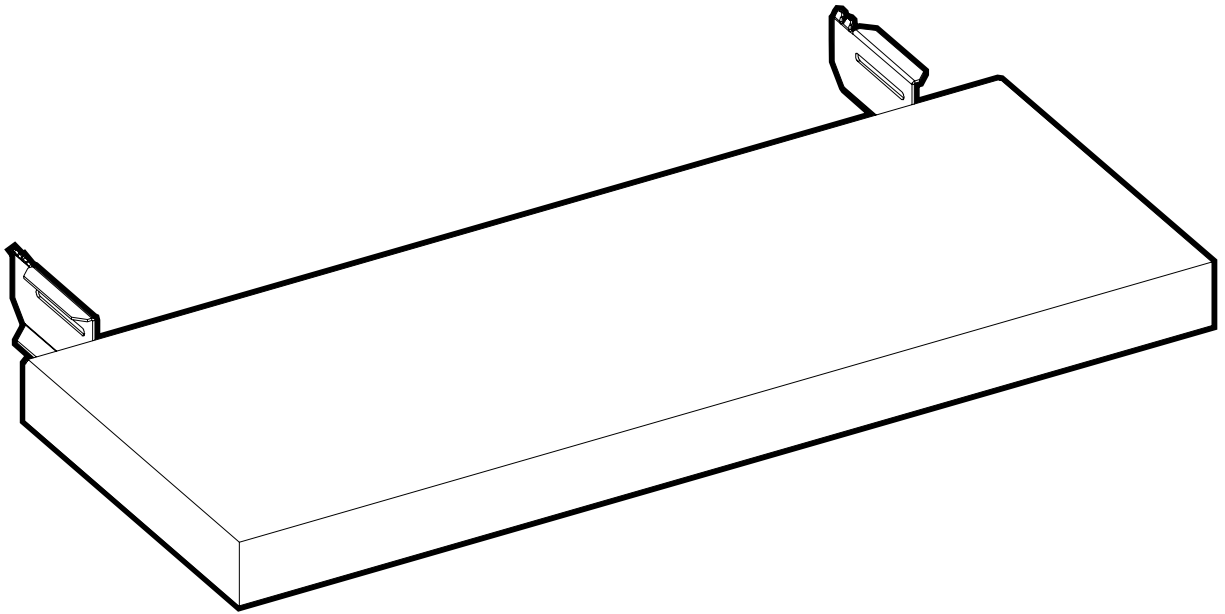


Install the remaining  
Bracket screw at this  
time and tighten.



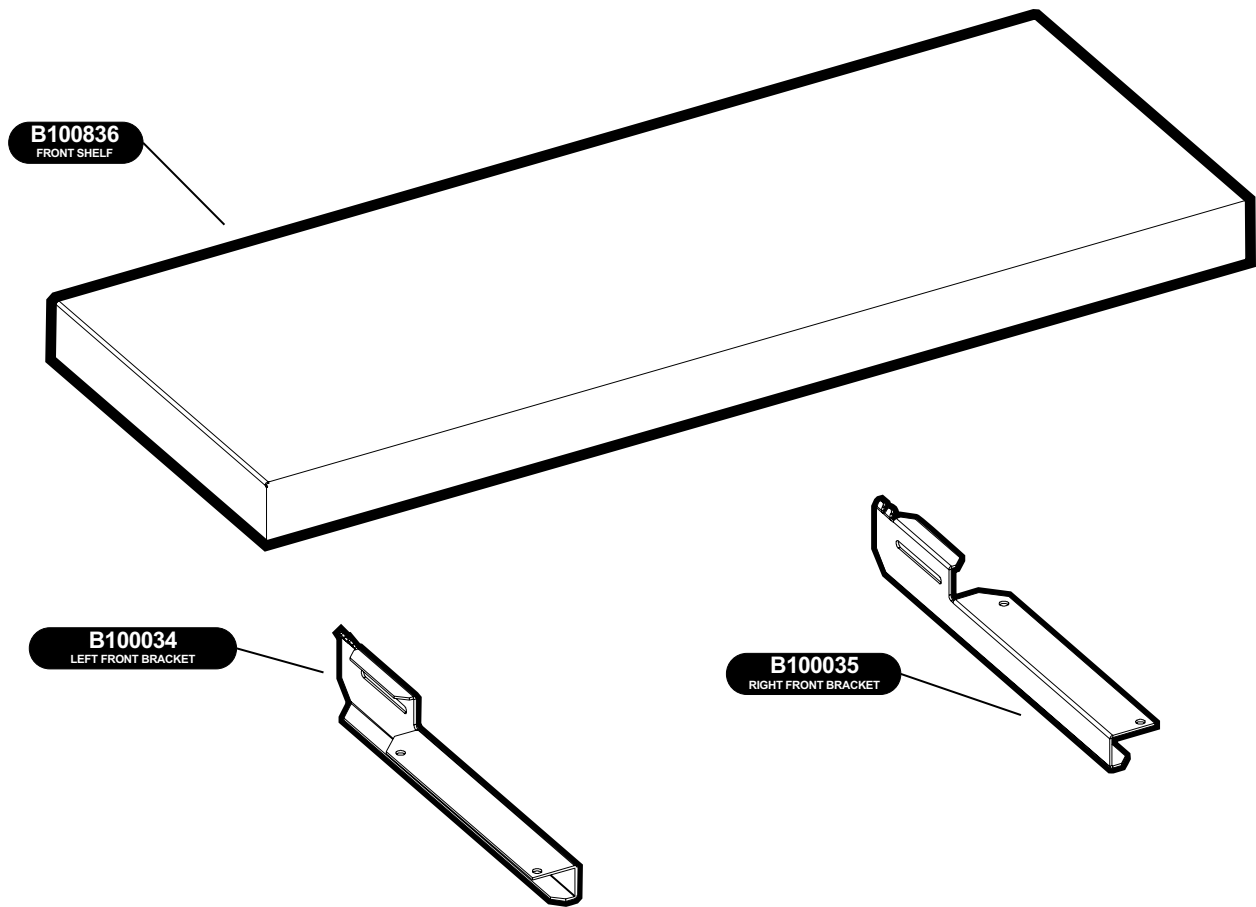


**BROILMASTER®**  
**PREMIUM GRILLS**

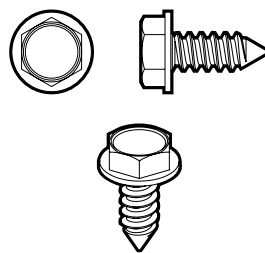


**FKSS-1**  
**STAINLESS-STEEL FRONT SHELF KIT**

# FKSS PARTS DIAGRAM



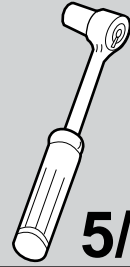
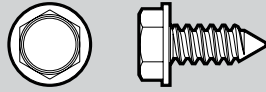
## FKSS HARDWARE PACK - B100018



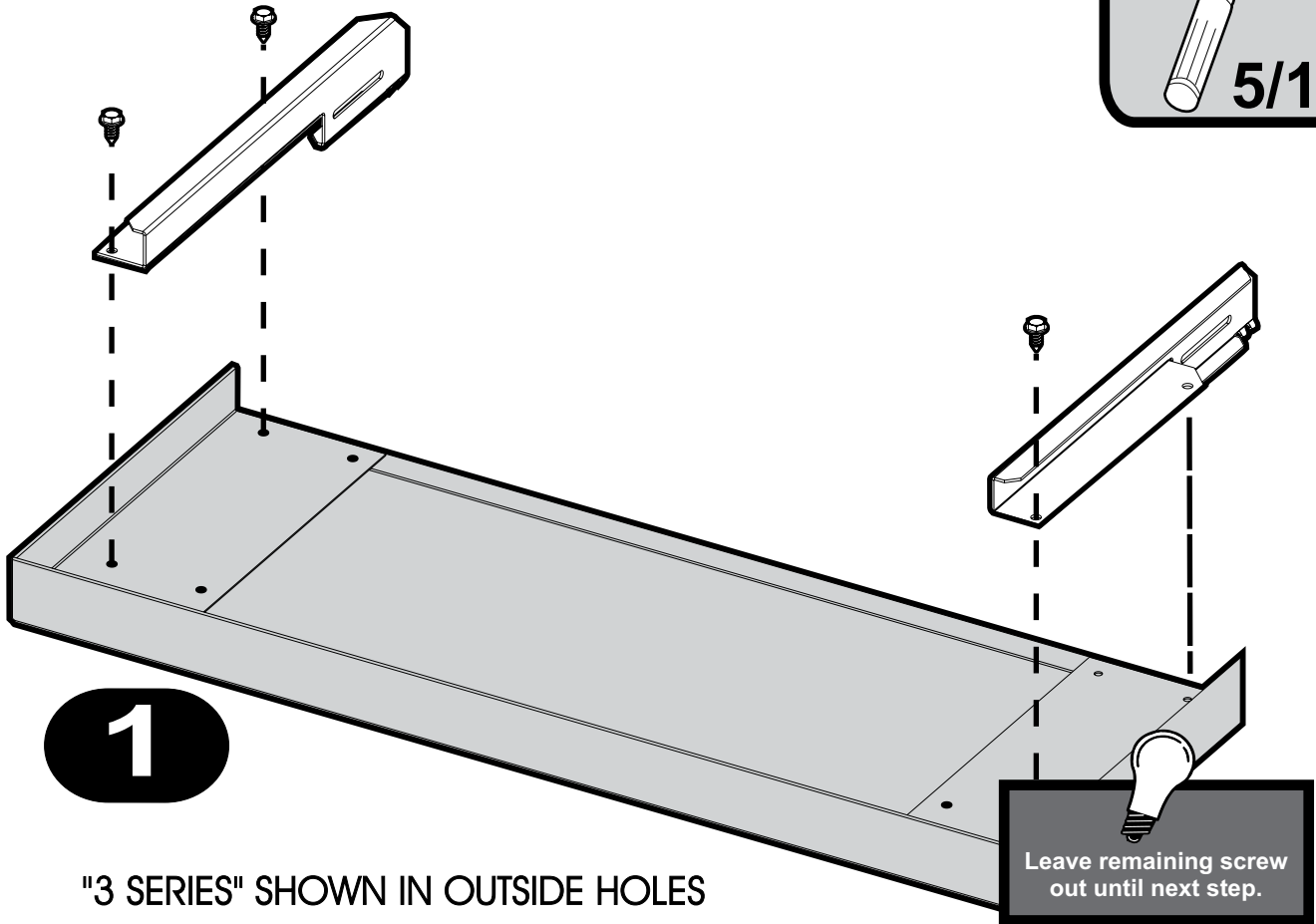
HEX WASHER HEAD SCREW,  
SS, 10-32 X 1/2  
B071494  
(4)

# STAINLESS STEEL DROP-DOWN SIDE SHELF INSTALLATION

HEX WASHER HEAD SCREW,  
SS, 10-32 X 1/2  
B071494 (4)



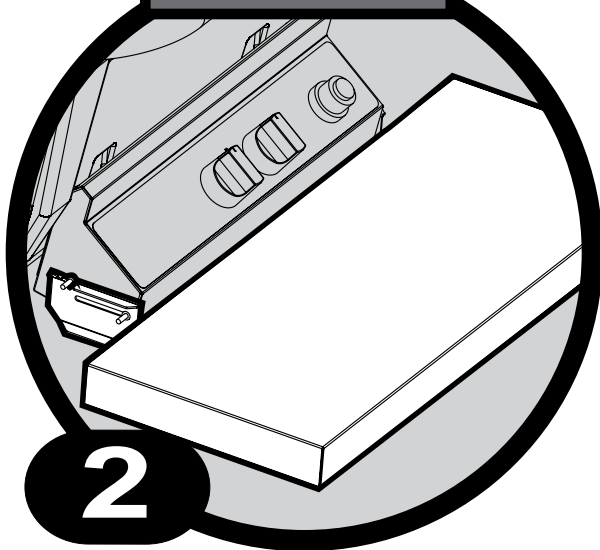
5/16"



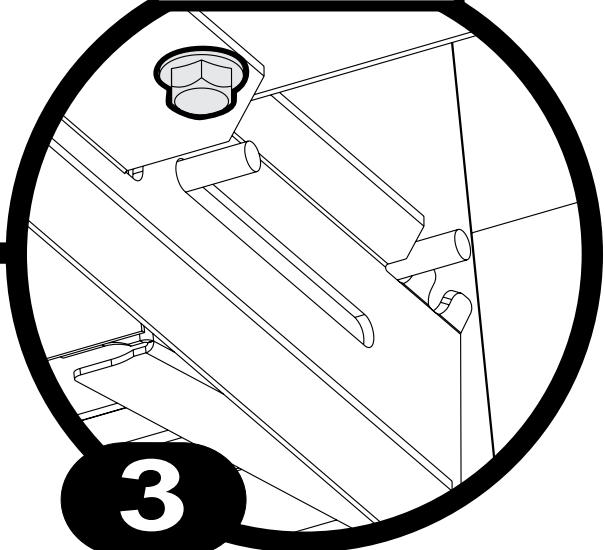
**1**

"3 SERIES" SHOWN IN OUTSIDE HOLES  
"4 SERIES" USES INSIDE HOLES

Insert the front Control  
Panel Pin through the  
slots in the Bracket.



Install the remaining  
Bracket screw at this  
time and tighten.



# **GRILL MAINTENANCE HISTORY**

<b>Date</b>	<b>Maintenance Performed</b>

# MASTER PARTS DISTRIBUTOR LIST

To order parts under warranty, please contact your local Broilmaster dealer. See the dealer locator at [www.broilmaster.com](http://www.broilmaster.com).

To provide warranty service, your dealer will need your name and address, purchase date and serial number, and the nature of the problem. Please keep your receipt to establish ownership and date of purchase.

To order parts after the warranty period, please contact your dealer or one of the Master Parts Distributors listed below.

The Master Parts Distributor list changes from time to time. For the current list go to [www.broilmaster.com](http://www.broilmaster.com) and click on the Parts button.

Note: Master Parts Distributors are independent businesses that stock the most commonly ordered repair parts.

## Dey Distributing

1401 Willow Lake Boulevard  
Vadnais Heights, MN 55101

**Phone:** 651-490-9191

**Toll Free:** 800-397-1339

**Website:** [www.deydistributing.com](http://www.deydistributing.com)

**Parts:** Heater, Hearth and Grills

## Victor Division of F. W. Webb Company

200 Locust Street  
Hartford, CT 06114

**Phone:** 860-722-2433

**Toll Free:** 800-243-9360

**Fax:** 860-293-0479

**Toll Free Fax:** 800-274-2004

**Websites:** [www.fwwebb.com](http://www.fwwebb.com) & [www.victormfg.com](http://www.victormfg.com)

**Parts:** Heater, Hearth and Grills

## East Coast Energy Products

10 East Route 36  
West Long Branch, NJ 07764

**Phone:** 732-870-8809

**Toll Free:** 800-755-8809

**Fax:** 732-870-8811

**Website:** [www.eastcoastenergy.com](http://www.eastcoastenergy.com)

**Parts:** Heater, Hearth and Grills

## Able Distributors

2501 North Central Avenue  
Chicago, IL 60639

**Phone:** 773-889-5555

**Toll Free:** 800-880-2253

**Fax:** 773-466-1118

**Website:** [www.abledistributors.com](http://www.abledistributors.com)

**Parts:** Heater

## HOW TO ORDER REPAIR PARTS

### Parts Not Under Warranty

Parts can be ordered through your Service Person, Dealer, or a Master Parts Distributor. See this page for the Master Parts Distributors list. For best results, the **service person or dealer** should order parts through the distributor. Parts can be shipped directly to the **service person/dealer**.

### Warranty Parts

Warranty parts will need a proof of purchase and can be ordered by your Service Person or Dealer. Proof of purchase is **required** for warranty parts.

All parts listed in the Parts List have a Part Number. When ordering parts, first obtain the Model Number and Serial Number from the name plate on your equipment. Then determine the Part Number (**not** the Index Number) and the Description of each part from the following illustration and part list. Be sure to give all this information . . .

Model Number / Dealer \_\_\_\_\_ Part Description \_\_\_\_\_

Serial Number / Dealer Phone Number \_\_\_\_\_ Part Number \_\_\_\_\_

Type of Gas (Propane or Natural) \_\_\_\_\_

Do not order bolts, screws, washers or nuts. They are standard hardware items and can be purchased at any local hardware store.

Shipments contingent upon strikes, fires and all causes beyond our control.

Your Broilmaster Premium Gas Grill is identified by model number, serial number, and gas type. This information is provided on a product identification label located on the grill's control panel. For your convenience, complete this section for future reference when contacting your dealer.

**BROILMASTER®**  
**PREMIUM GRILLS**

**BROILMASTER**

A Division of Empire Comfort Systems, Inc.

918 Freeburg Ave.

Belleville, Illinois 62220

VISIT OUR WEB SITE AT [www.broilmaster.com](http://www.broilmaster.com)

If you have a general question about our products, please e-mail us at [info@empirecomfort.com](mailto:info@empirecomfort.com).

If you have a service or repair question, please contact your dealer.