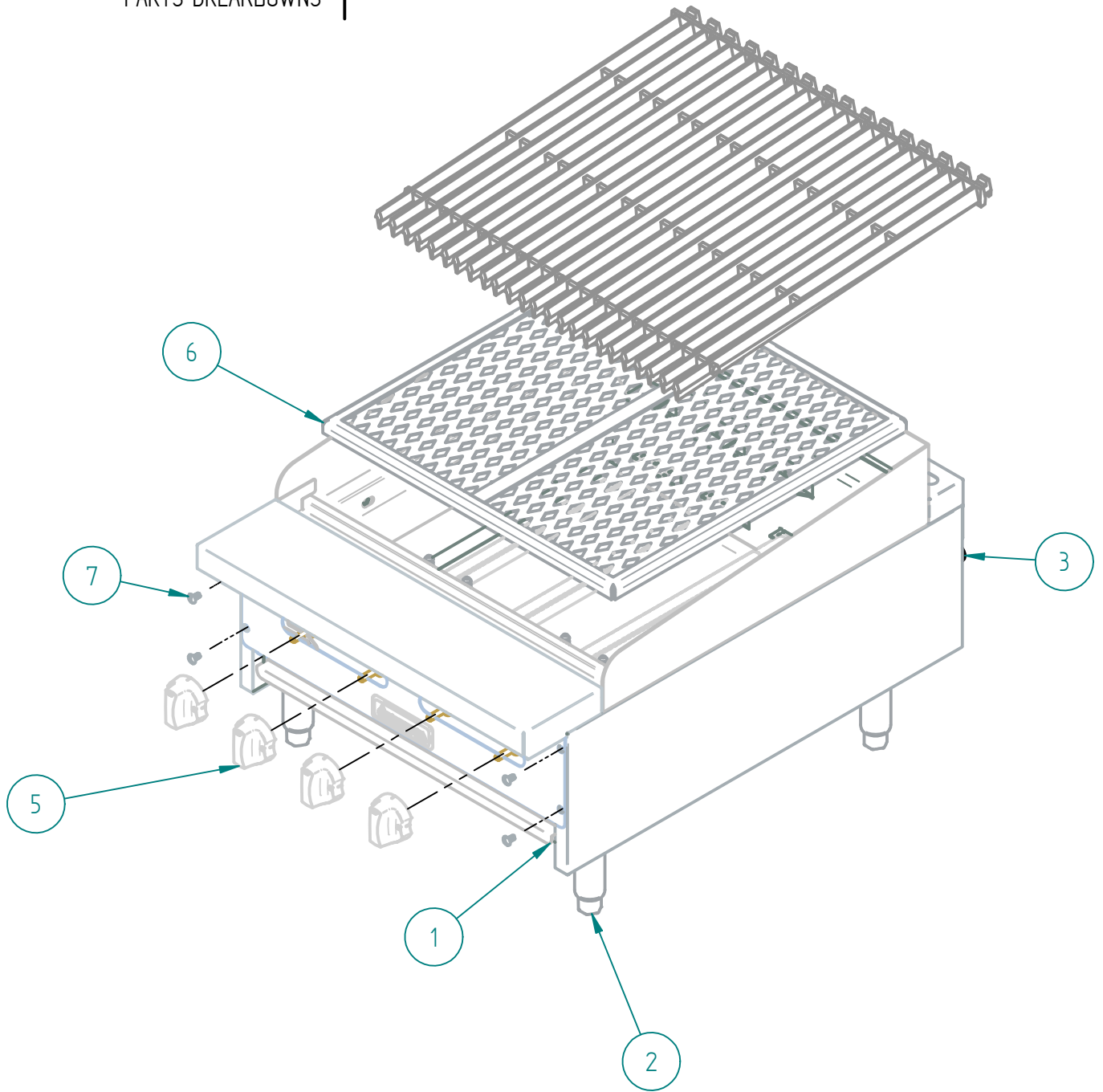
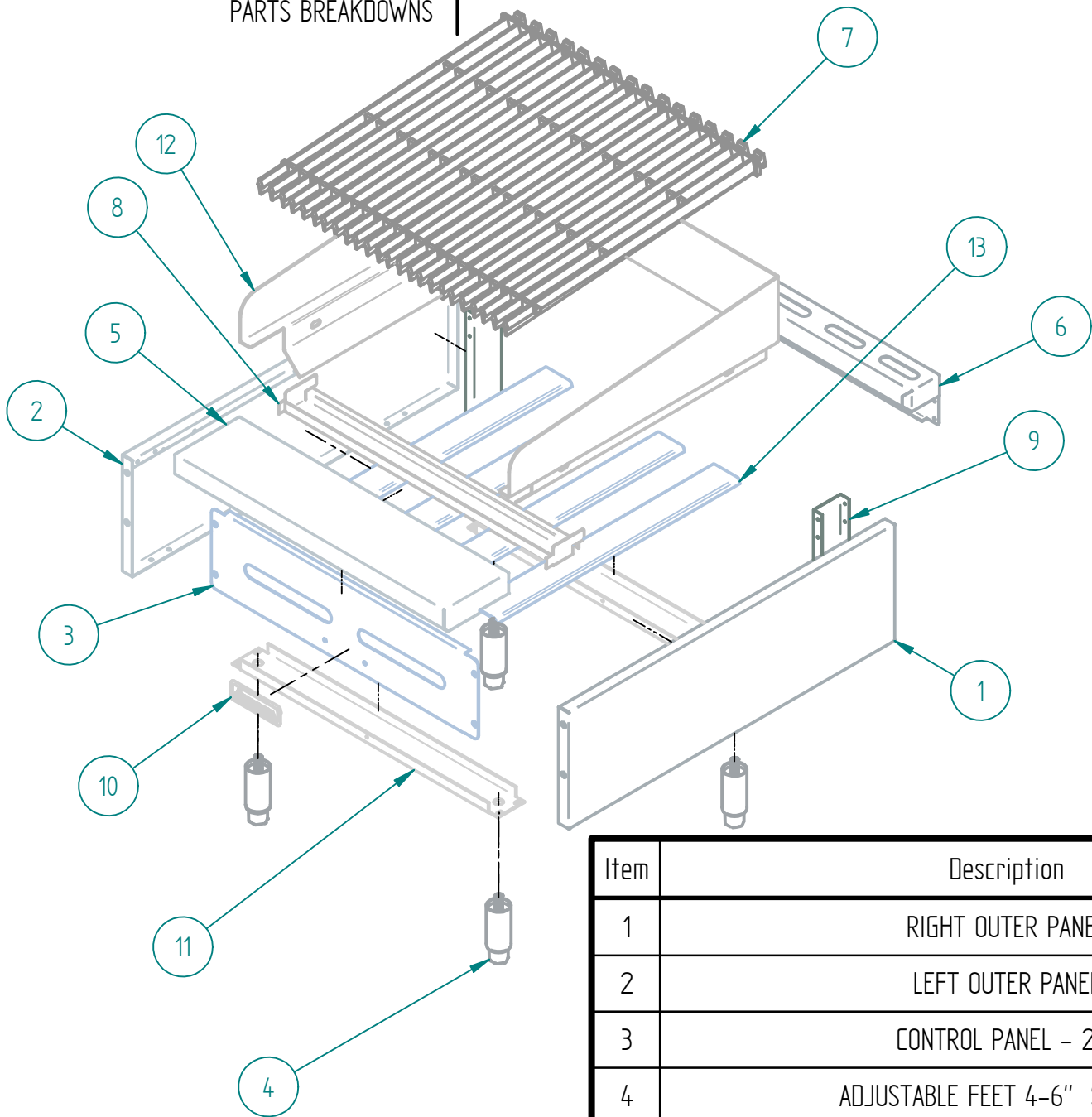


SRCRB-24

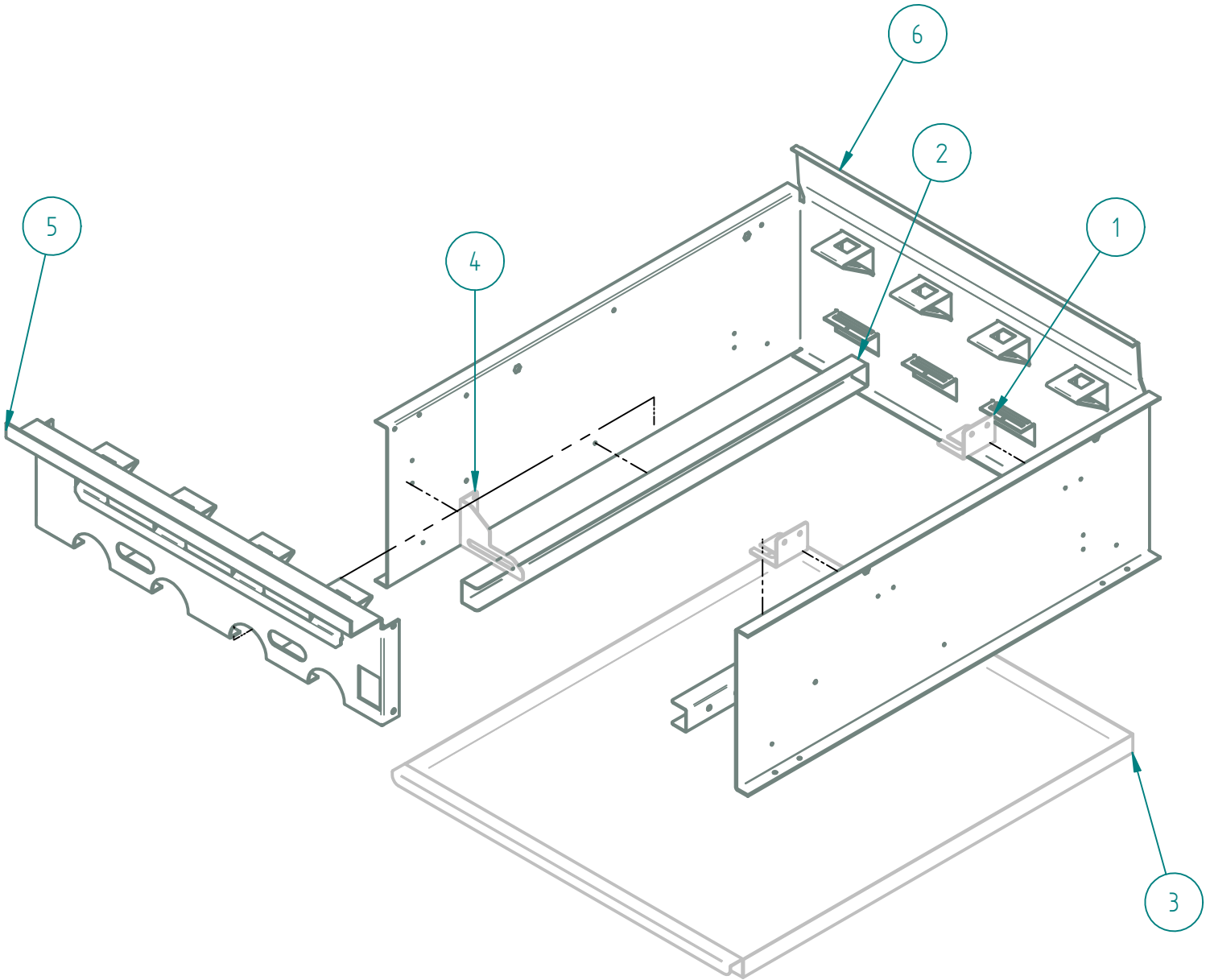


| Item | Description | Qty |
|------|---------------------------|-----|
| 1 | INNER PANEL RB-24" | 1 |
| 2 | OUTER PANEL SRCRB 24" | 1 |
| 3 | GAS SYSTEM BBQ-24" NG | 1 |
| 5 | SIERRA KNOB | 4 |
| 6 | EXPANDED METAL GRILL 24 | 1 |
| 7 | SS SCREW HEAD TRUSS M6-12 | 4 |

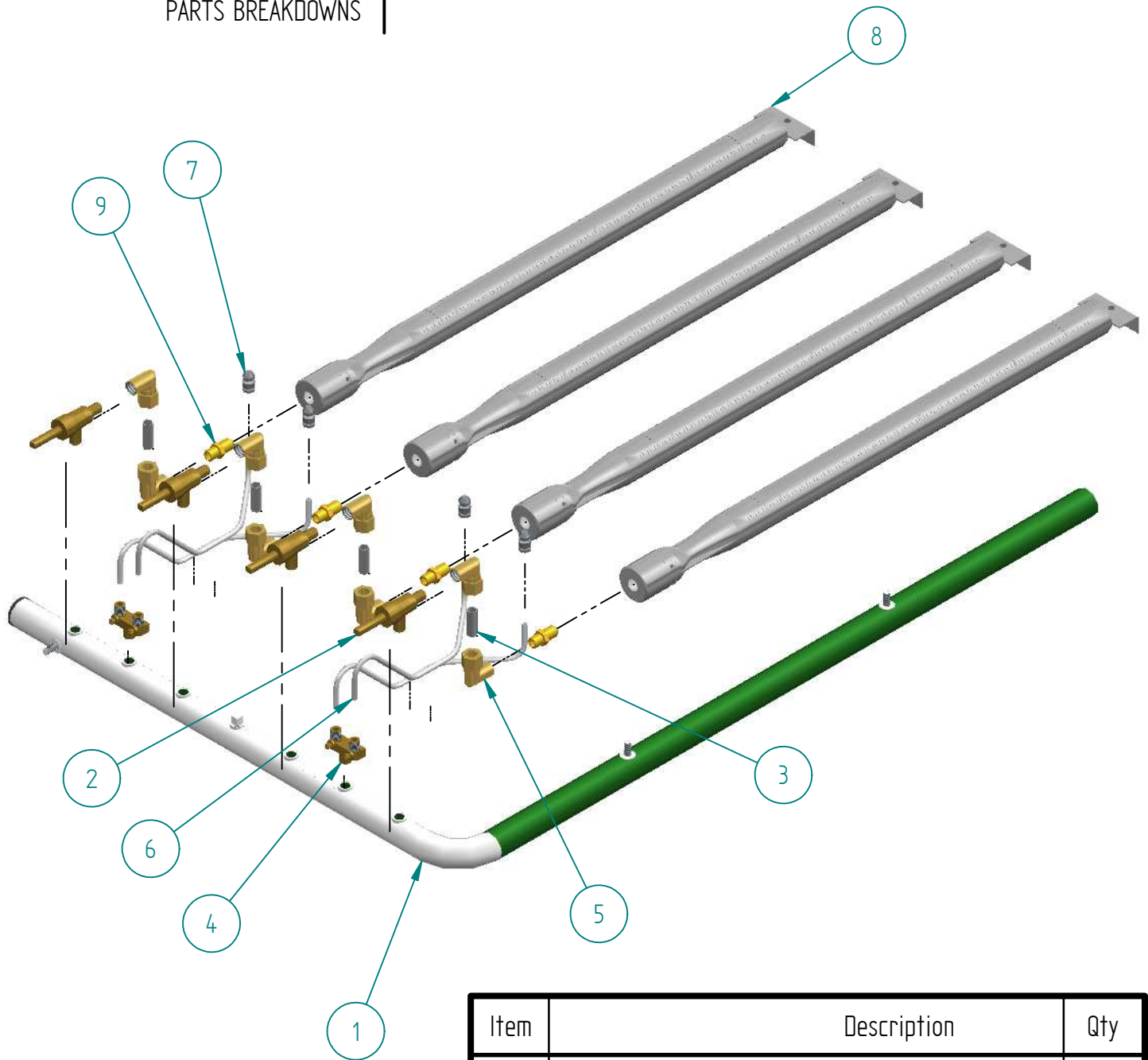
PARTS BREAKDOWNS



| Item | Description | Qty |
|------|-----------------------------------|-----|
| 1 | RIGHT OUTER PANEL | 1 |
| 2 | LEFT OUTER PANEL | 1 |
| 3 | CONTROL PANEL - 24" | 1 |
| 4 | ADJUSTABLE FEET 4-6" SS ϕ 2" | 4 |
| 5 | FRONT TABLE 24" SIERRA | 1 |
| 6 | CHIMNEY 24" SIERRA | 1 |
| 7 | IRON TOP GRATE BBQ | 8 |
| 8 | TRAY | 1 |
| 9 | INNER SIDE COMPLEMENT | 2 |
| 10 | SIERRA NAME PLATE | 1 |
| 11 | LEG SUPPORT 24" | 2 |
| 12 | "U" BBQ 24 HD | 1 |
| 13 | HEAT DEFLECTOR | 4 |



| Item | Description | Qty |
|------|--------------------------|-----|
| 1 | SIDE MANIFOLD SUPPORT | 2 |
| 2 | TRAY SLIDERS | 2 |
| 3 | TRAY COLLECTOR 24" | 1 |
| 4 | FRONT MANIFOLD SUPPORT | 1 |
| 5 | INNER FRONT ASSY BQQ-24" | 1 |
| 6 | INNER REAR ASSY BQQ-24" | 1 |



| Item | Description | Qty |
|------|------------------------------|-----|
| 1 | COMPLETE MANIFOLD 24" | 1 |
| 2 | TOP VALVE | 4 |
| 3 | TAP PIPE | 4 |
| 4 | DOUBLE PILOT VALVE AP6-1 | 2 |
| 5 | ELBOW 90° 1/8" NPT CC A91021 | 8 |
| 6 | SS FLEX PIPE 350 | 4 |
| 7 | PILOT TIP A73007 | 4 |
| 8 | FLUTE BURNER | 4 |
| 9 | MALE ORIFICE # 50 | 4 |



S750402100
DESPIECE Conversion kit NG to LP CRB-24

PARTS BREAKDOWNS

| Item | Description | Qty |
|------|-------------------|-----|
| 1 | MALE ORIFICE # 56 | 4 |

