



LIJNENERGY™

CUB GO™

120Wh / 150W
Portable Power Unit
User Manual



WARRANTY INFO:

Serial number _____

Purchase date _____



CUSTOMER SERVICE:

385.375.8191. Monday-Friday / 9:00 AM - 5:00 PM. MST.
Please call our customer service department before returning
your Cub GO™.



WELCOME TO THE PRIDE.

The Lion Energy™ journey began in 2001. We started this venture to help people prepare for potential emergencies and become self-reliant. We realized we could help in areas of food, water, lights, and power. And our passion for portable power ignited. We wanted to provide the safest, most reliable, silent portable power products and we wanted them to be clean and renewable. Our goal is to create products that are good for people and good for our planet! At Lion Energy, that's exactly what we do.

Lion Energy is built upon the principles of unmatched safety, unwavering reliability, and continual renewability advancements. That foundation, coupled with a promise of excellent customer service, has led to a growing brand with an extremely loyal customer base.

As we forge ahead, the foundations of customer experience, safety, reliability, and innovative renewability remain. We are committed to a continued focus on providing the best emergency preparedness power, portable solar power, and home storage power. Lion Energy is committed to providing our customers peace of mind and the freedom to live life on their terms.

For latest info go to www.lionenergy.com



735 S. Auto Mall Drive Suite 200
American Fork, UT 84003



www.lionenergy.com
info@lionenergy.com



corporate: 801.727.9270
tech support: 385.375.8191

Lion Energy Cub GO™ Power Unit Manual



Thank you for choosing the Lion Energy Cub GO™.

Welcome to Lion Energy Products

At Lion Energy we provide portable power that is safe, silent and renewable. Our products are used in emergencies and for work and play. Please read the user manual carefully before using the product.

1. Do not use as a toy or put fingers or hands into any of the unit's outlets.
2. Only use recommended accessories.
3. Do not operate the unit with damaged cables or charging adapters.
4. Never attempt to modify or alter unit, cables or accessories.
5. For better performance, please fully charge the product before usage.
6. Do not allow this product to become wet or immerse this product in water.
7. Do not operate this product in the presence of flammable liquids, gases or dust.
8. Do not permit the internal battery of the unit to freeze. Never charge a frozen battery.
9. Do not expose or store this product to excessive heat (150° F).
10. Storage temperature is 15° F to 115° F
11. Charge only at temperatures between 32° F to 115° F
12. Charge with USB charger or approved solar panel.
13. This product contains a lithium ion battery, please recycle properly.

Package Contents

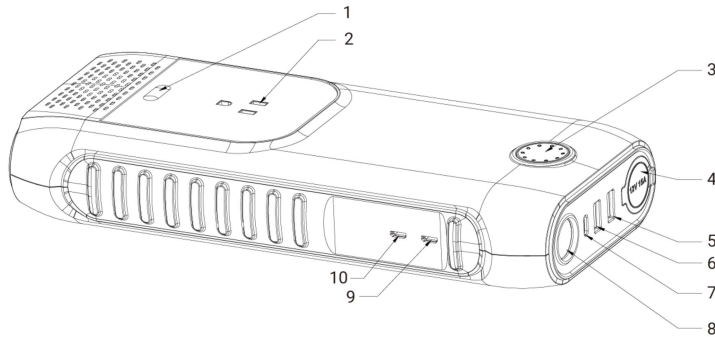
Lion Energy Cub GO: 1pc

User manual: 1pc

USB charging cable: 2pcs

Wall charger adapter (5V 3.4A): 1pc

1 Parts Identification



	Definition	Description
1	AC output on/off button	Press and hold for 3 seconds to turn AC output power on or off. Blue indicator light will illuminate when power is on.
2	AC Socket	AC Power 120 V 150 Watt continuous 300 Watt inrush
3	Power Indicator and Flashlight Control Button	Shows how much charge the Cub GO has and turns the flashlight on or off.
4	Cigarette lighter interface (12V, 15A)	12 Volt Cigarette Power Port
5	USB output	QC 3.0 USB output
6	USB output	5V, 2.4A USB output
7	Type C output	Use with USB cable with two ends of Type C head, 5V 2.4A
8	LED light	Flashlight 1 Watt Led
9	DC charging port 1	5V, 2A
10	DC charging port 2	5V, 2A

2 Technical Specification

DC Charging input voltage characteristics:

1	Input Voltage Range	4.5-5.5V
2	Rated Input Voltage	5V
3	Rated Input Current	4A
4	Charge/Discharge temperature protection	140° F

USB

1	Output voltage	5V
2	Output current	2.4A (MAX)
3	Output over current protection	YES
4	Output short circuit protection	YES
5	Load disconnect recovery	YES

TYPE-C output characteristics QC3.0

1	Output voltage	5V, 9V, 12V
2	Output current	2.4A, 2A, 1.5A variable
3	Output over current protection	YES
4	Output short circuit protection	YES
5	Load disconnect recovery	YES

Environment

1	Storage Temperature	68 – 158° F
2	Operating Humidity	0-90%
3	Storage Humidity	0-95%
4	Cooling method	Wind chill

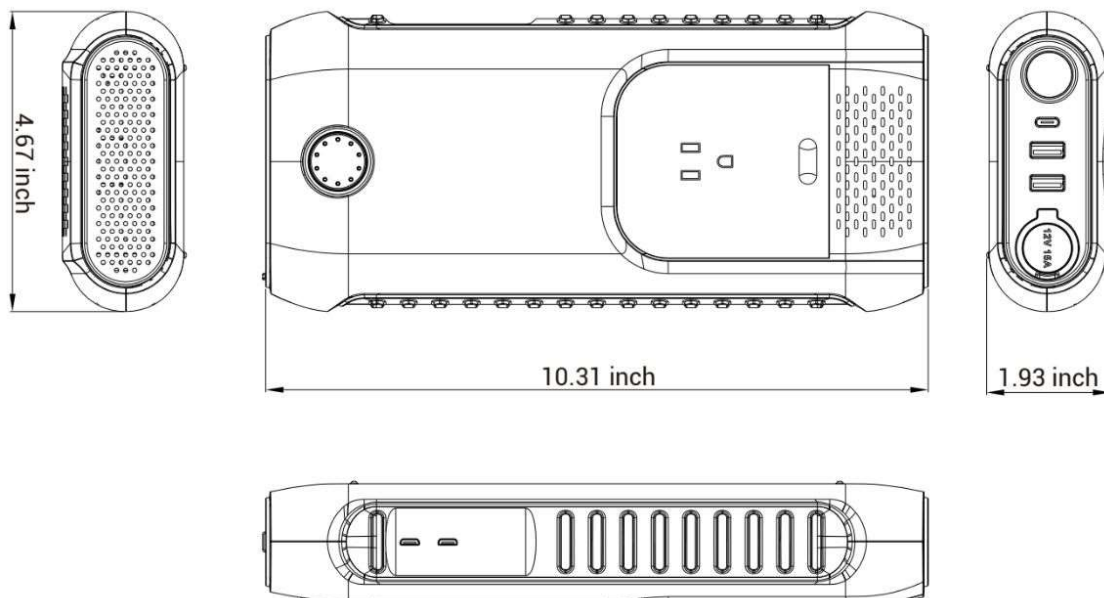
AC output characteristics

1	AC output voltage	120VAC±5%
2	AC output frequency	60HZ±1HZ
3	Rated output power	150W
4	Output wave	Modified sine wave
5	Maximum impulse power	300W

3 Battery Safety

Eight-point safety controls system: 1-2 High/Low voltage protection, 3-4 Inverter and Battery over temperature protection, 5-6 AC/DC overload protection, 7-8 AC and DC short circuit protection.

4 Mechanical Design



5 How to Charge

1. Plug both the Micro USB cables into the unit's inputs ports.
2. Insert the other end of the USB cables either:
 - Included AC adaptor connected to the wall socket.
 - Two powered USB computer ports.
 - The unit will automatically begin to charge and turn off when it is fully charged.

6 LED Indicator Display (while charging)

SN	LED condition	Battery capacity
1	1 st light blinking	<10%
2	1 st light on, 2 nd light blinking	10%~20%
3	2 nd light on, 3 rd light blinking	20%~30%
4	3 rd light on, 4 th light blinking	30%~40%
5	4 th light on, 5 th light blinking	40%~50%
6	5 th light on, 6 th light blinking	50%~60%
7	6 th light on, 7 th light blinking	60%~70%
8	7 th light on, 8 th light blinking	70%~80%
9	8 th light on, 9 th light blinking	80%~90%
10	9 th light on, 10 th light blinking	90%~100%
11	10 th light on	100%

7 Charging Speed

Adapter current output	Charging time
5V, 4A	6.5 hours
5V, 3A	8.5 hours
5V, 2A	13 hours
5V, 1A	26 hours
5V, 0.5A	52 hours

IMPORTANT! NEVER CHARGE THE UNIT UNATTENDED.

WARNING! Only charge unit with USB chargers or approved solar panel.

8 How to Use the Unit

To power DC devices:

1. Plug the device cable into the port that it is designed to interface with.
2. Select the appropriate connector for the device you want to charge and connect it to the Cub GO power unit. This device can identify and charge your device automatically. The indicator will be on when the device is charging.

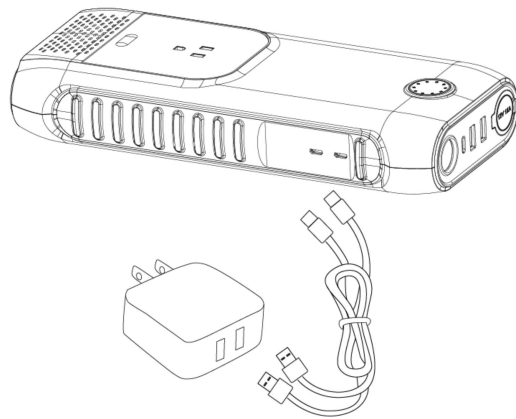
To power AC devices:

1. Press the AC on/off button to turn on the AC output socket.
2. Plug the adaptor of your AC device into the AC socket on the unit.

LED Flashlight:

1. Press the button for 2 seconds to turn on/off the LED flash light.
2. There are 3 modes of the LED light: Normal light, Strobe light and SOS, which can be toggled from one to another by pressing the button.
3. Press the button for 3 seconds to turn off the LED flash light for all modes.

9 FAQ



Q: How many times can this device charge my mobile phone or other devices?

A: The rated capacity of the unit is 120Wh. Each device uses a different amount of power and will charge at different rates. For example, the Cub GO may recharge your iPhone up to 15 times and your laptop 2.5 times depending on how much power the device requires and how full it already is. The formula to estimate charge times is $Wh / W = Est$ Run Time.

Q: How long will this device take to fully charge my mobile phone?

A: This device will intelligently identify your device and will charge it at its maximum charging speed. Charging time depends on the battery capacity in your device.

Q: How long will the power of the unit hold a charge?

A: Up to a year, however, we suggest recharging it every 3 months.

Q: How do I get the AC output on the Cub GO to turn on?

A: The AC power on the Cub GO is not automatically turned on when you plug something into it. It needs to be turned on by pressing and holding the AC power button on top of the GO for 2-3 seconds. When it is on, the blue indicator light on the AC button will be illuminated.

Q: How do I get the USB output on the Cub GO to turn on?

A: The USB output is turned on by pressing the Power Indicator button on top of the Cub GO, just above the USB outputs.

10 Troubleshooting

While using the AC output on the unit:

- If the LED light flashes once and beeps, it is an indication that the unit has been short-circuited or overloaded. Remove the device that you are trying to power as it may require too much power or is short-circuiting the unit.
- If the LED light flashes twice, it is an indication that the unit is out of power and shuts off. Recharge the unit.
- If the LED light flashes four times and beeps, it is an indication that the battery is too hot. Remove from external heat source (ie sun, heaters, etc).
- If the LED light flashes five times and beeps, it is an indication that the vent area on the unit is covered or obscured. Make sure nothing is covering the vents on the AC Output end of the unit and remove from external heat source (ie sun, heaters, etc).

11 Maintenance Instructions

- Use a dry cloth to wipe dirt and other contaminants from the battery cords and case.
- Do not open the unit; any servicing should be performed by factory qualified service personnel. Doing so will void the warranty.

12 Storage Instructions

1. Change battery to full capacity before storage.
2. Store the unit at room temperature.
3. Charge at least once every 3 to 6 months to prevent over-discharge.

WARRANTY REPAIRS/REPLACEMENTS

For repair or replacement, contact customer service at 1-385-375-8191. Do not ship unit until you receive a return merchandise authorization (RMA) number from Customer service at Lion Energy. Lion Energy will not be responsible for any shipping or handling damage.

LIMITED WARRANTY

This unit comes with a one-year limited warranty from defects in materials and workmanship. Save proof of purchase, such as a dated receipt, to establish warranty period. Without a dated receipt, we will use the manufacturing dated code. We will repair or replace the unit at our discretion upon inspection.

This warranty is invalidated if any of the following occurs, but not limited to:

- Failure to follow the instructions in the User's Manual.

- Accidental or unreasonable use, misuse, over charging or loading, or normal wear.
- Extended storage without recharging or repairs done by an unauthorized person or modification.
- Opening or modifying the battery casing

This warranty is in lieu of all other express warranties. Lion Energy will not be liable for consequential or incidental damages. Changes or modifications not expressly approved by Lion Energy could void the user's authority to operate this device.

NOTE: This equipment has been tested and found to comply with the limits for a Class B digital device, pursuant to part 15 of the FCC Rules. Operation is subject to the following two conditions: (1) This device may not cause harmful interference, and (2) this device must accept any interference received, including interference that may cause undesired operation. These limits are designed to provide reasonable protection against harmful interference in a residential installation. This equipment generates, uses, and can radiate radio frequency energy and, if not installed and used in accordance with the instructions, may cause harmful interference to radio communications. However, there is no guarantee that interference will not occur in a particular installation. If this equipment does cause harmful interference to radio or television reception, which can be determined by turning the equipment off and on, the user is encouraged to try to correct the interference by one or more of the following measures:

- Reorient or relocate the receiving antenna.
- Increase the separation between the equipment and receiver.
- Connect the equipment into an outlet on a circuit different from that of the receiver.
- Consult the dealer or an experienced radio/TV technician for help.

SERVICE ADDRESS

Lion Energy (www.lionenergy.com)

Email: info@lionenergy.com and Tel: 1-385-375-8191

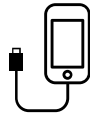
Address: 735 S. Auto Mall Drive, Suite 200, American Fork, UTAH 84003

LION CUB GO™

IT CAN POWER...



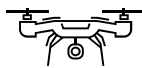
10.5W
DSLR Camera
11 Hours



5W
Cell Phone Charger
Up to 8x



75W
55" LCD TV
1.5 Hours



40W
Drone
3 Hours



LED Reading Lamp
30 Hours



45W
Laptop Run Time
2.5 Hours

*Run Times Vary

MORE POWER TO LOVE...



LION 100™

Harness the power of the sun and recharge or power your electronic devices. This 100W Foldable Solar Panel comes with a 6' extension cord and a 20-year life expectancy.



SAFARI LT™

This great and little power unit packs a punch and weighs only 11 pounds. Take it camping, tailgating, to the beach or anywhere you need power.



CUB MS™

The Cub MS will do a lot more than jump start your vehicle, RV, and large boat engine, it will also charge phones, tablets, ham radios or anything that can charge from a USB cable. Recharge the Cub MS from the wall or the 12-volt plug in your car.

Check out www.lionenergy.com to get these and other great products from Lion Energy!



Lion Energy, LLC

735 S. Auto Mall Drive Suite 200
American Fork, Utah 84003

info@lionenergy.com

385.375.8191
Monday-Friday
9:00 AM - 5:00 PM MST

www.lionenergy.com