



Manual Control **GRIDDLES**

Features

- The Ikon Manual Control Griddles are available in 12", 24", 36", 48" & 60" widths, the continuous 30,000 BTU output per burner provides even heat to the 3/4" thick polished steel griddle plate
- Adjustable manual gas controls provide easy and safe operations
- Pilot light can be lit from the front for ease of use
- "U" shape burners provide even heat distribution every 12"
- 3/4" griddle plate
- 30,000 BTU/ burner
- Gas control knob every 12"
- All stainless steel cabinet
- Double wall insulated sides
- Widths: 12", 24", 36", 48", & 60"
- "Cool-to-the-touch" front s/s edge
- Back and side splash guards fully welded to griddle plate
- Flue located on back of unit for ample ventilation
- Adjustable stainless steel legs, non-skid feet
- Easy to remove 3-1/4" grease drawer with "weep hole" and baffle
- Griddle is fully serviceable from the front
- **Available in Natural gas(NG) or Liquid propane(LP). A conversion kit is supplied with each unit**



IMG-12



IMG-24



IMG-36



IMG-48



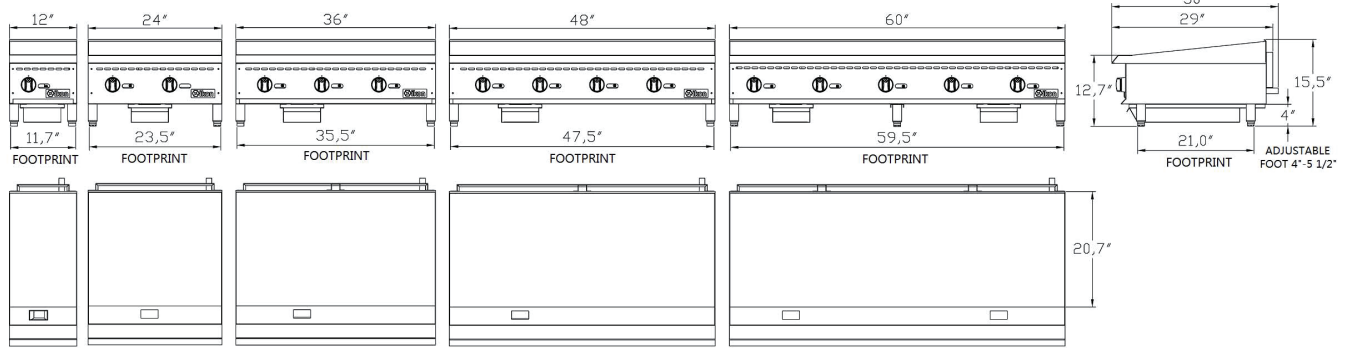
IMG-60





Manual Control GRIDDLES

Dimensions in inches



IMG-12 IMG-24 IMG-36 IMG-48 IMG-60

Specifications

Model	Footprint	Overall Dimensions	Weight	Shipping Dimensions	Shipping Weight
IMG-12	11.7"W x 21.0"D (53.4cm x 29.7cm)	12.0"W x 34.4"D x 15.5"H (30.5cm x 87.3cm x 39.4cm)	99 lbs (45kg)	16.2"W x 36.2"D x 19.3"H (41cm x 92cm x 49cm)	121 lbs (55kg)
IMG-24	23.5"W x 21.0"D (59.69cm x 53.3cm)	24.0"W x 34.4"D x 15.5"H (61.0cm x 87.3cm x 39.4cm)	156 lbs (71.0kg)	28.3"W x 36.2"D x 19.3"H (72cm x 92cm x 49cm)	196 lbs (89.0kg)
IMG-36	35.5"W x 21.0"D (90.2cm x 53.3cm)	36.0"W x 34.4"D x 15.5"H (91.4cm x 87.3cm x 39.4cm)	220 lbs (100.0kg)	40.6"W x 36.2"D x 19.3"H (103cm x 92cm x 49cm)	284 lbs (129.0kg)
IMG-48	47.5"W x 21.0"D (120.6cm x 53.43cm)	48.0"W x 34.4"D x 15.5"H (122.0cm x 87.3cm x 39.4cm)	277 lbs (126.0kg)	52.8"W x 36.2"D x 19.3"H (134cm x 92cm x 49cm)	355 lbs (161.0kg)
IMG-60	59.5"W x 21.0"D (151.1cm x 53.3cm)	60.0"W x 34.4"D x 15.5"H (152.4cm x 87.3cm x 39.4cm)	340 lbs (154kg)	64.8"W x 36.2"D x 19.3"H (164.5cm x 92cm x 49cm)	417 lbs (189.0kg)

Please Note: These items are shipped on a pallet and are crated for protection during LTL shipment. Overall Dimensions include the gas regulator located on the back of the unit



GAS REQUIREMENTS

- Natural Gas or Liquid Propane (LP) Gas main supply required
- A conversion kit is supplied with each unit. In order to avoid any warranty issues, conversion of your unit must be completed by an authorized Ikon service agent.
- 3/4" NPT gas connection
- 30,000 BTU's per burner
- One pilot light per burner
- Natural gas 4" W.C., LP gas 10" W.C.

Model	Cooking Area	Controls	Number of Burners	BTU's per Burner	Total BTU's
IMG-12	12"W x 20.5"D	Manual	1	30,000	30,000
IMG-24	24"W x 20.5"D	Manual	2	30,000	60,000
IMG-36	36"W x 20.5"D	Manual	3	30,000	90,000
IMG-48	48"W x 20.5"D	Manual	4	30,000	120,000
IMG-60	60"W x 20.5"D	Manual	5	30,000	150,000