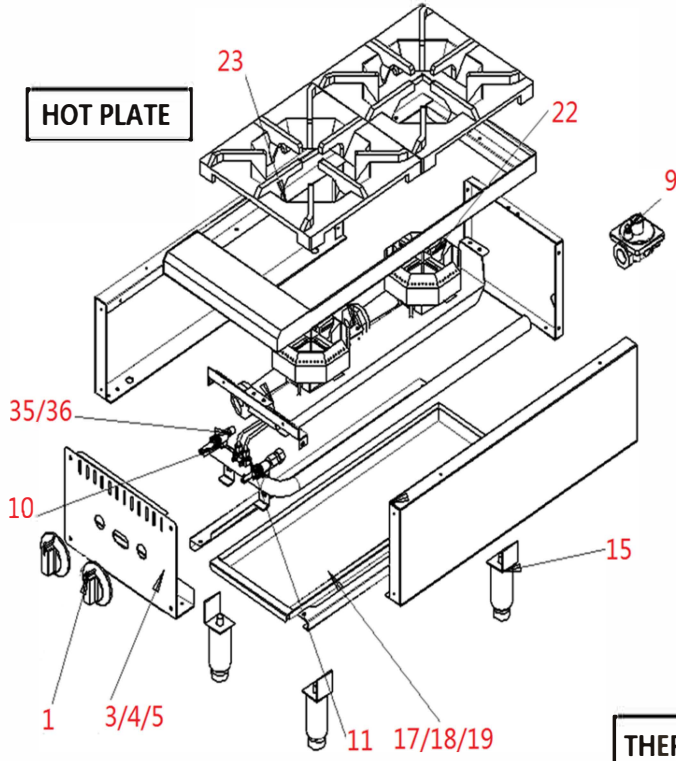
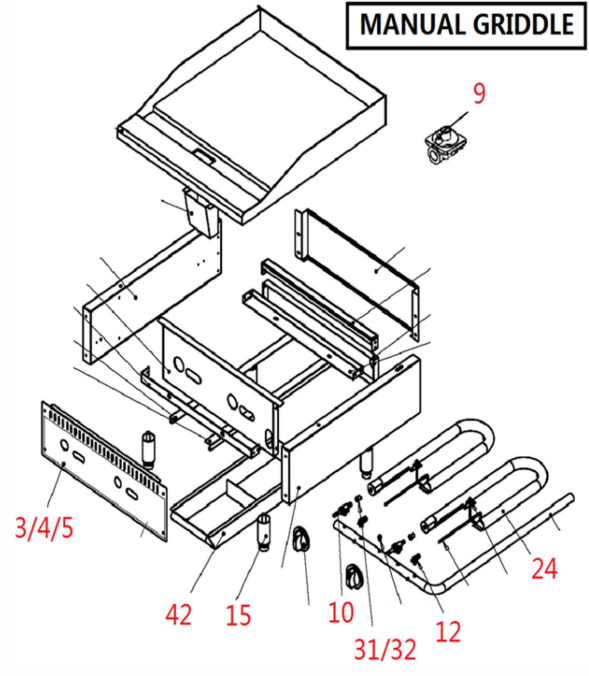


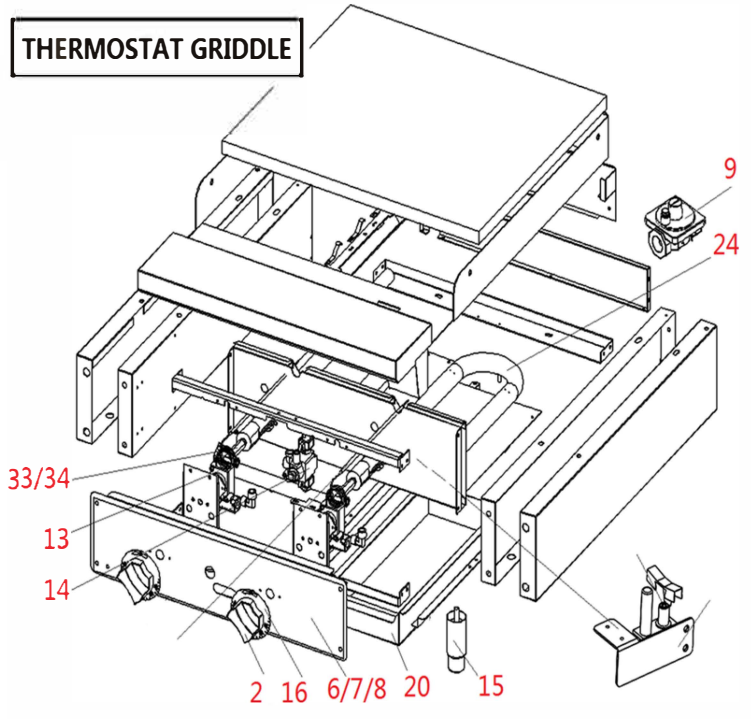
**HOT PLATE**



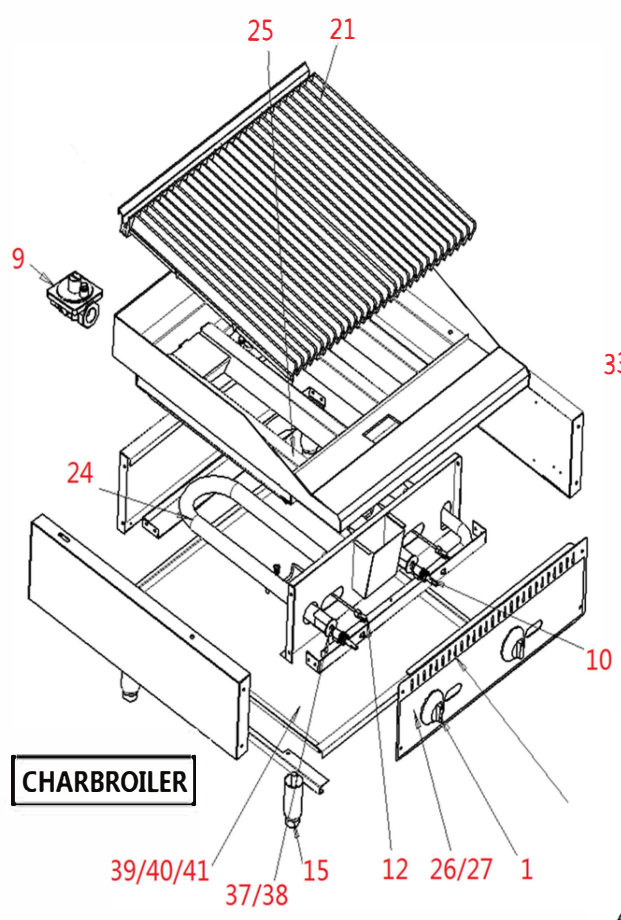
**MANUAL GRIDDLE**



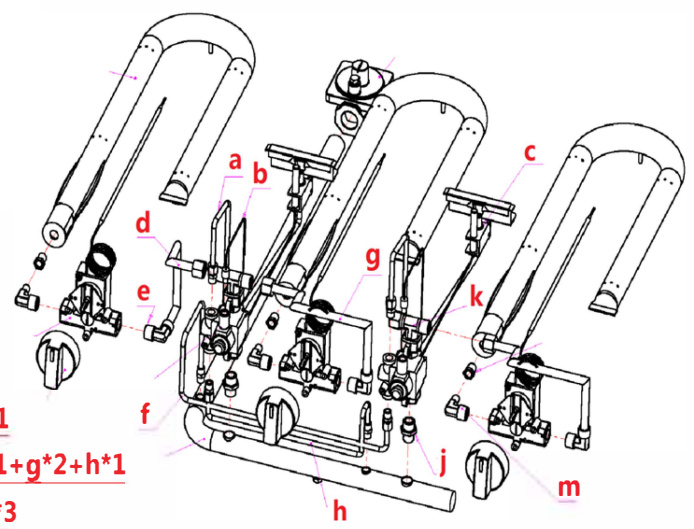
**THERMOSTAT GRIDDLE**



**CHARBROILER**



**GAS SYSTEM DETAIL FOR 36" GRIDDLE  
(OTHER SIZES HAVE SIMILAR STRUCTURE AND PARTS)**



28: a\*1+b\*1+c\*1

29: d\*1+e\*3+f\*1+g\*2+h\*1

30: j\*2+k\*2+m\*3

