



# FS-1022MLJ-C

## SERENITY SERIES CUBELET ICE MACHINE



FS-1022MLJ-C  
07/08/19  
Item # 13271

**Modular Head Unit**  
W x D x H  
22" x 16 1/2" x 26"

**Remote Unit Dimension**  
SRC-10J  
35 3/4" x 23 1/2" x 22"

**Installation Dimension\***  
SRC-10J  
38" x 29" x 37"


\*Dimensions include legs



**FS-1022MLJ-C**  
Remote Air-Cooled  
Shown

Item #: \_\_\_\_\_  
Project: \_\_\_\_\_  
Qty: \_\_\_\_\_  
AIA#: \_\_\_\_\_

### Features

- ▶ Quiet operation - perfect for dining area
- ▶ Advanced CleanCycle24™ design 
- ▶ Stainless steel auger with greaseless bearing

- Up to 889 lbs. of ice production per 24 hours
- Durable stainless steel exterior
- EverCheck™ alert system
- Less heat in the kitchen
- Minimized noise
- 2 second flush cycle every hour
- Flush cycle removes sediment for cleaner ice
- Slim depth - easier to clean dispenser
- Front and back serviceability
- 10 ft. power cord with NEMA 5-15P plug
- R-404A Refrigerant

#### Warranty:

3 Year Parts & Labor on entire machine. 5 Year Parts on Compressor; air-cooled condenser coil. Valid in United States, Canada, Puerto Rico and U.S. Territories. Contact factory for warranty in other countries.

Shipping: (LxWxH) 27" x 24.5" X 32" Volume: 12.25ft<sup>3</sup>



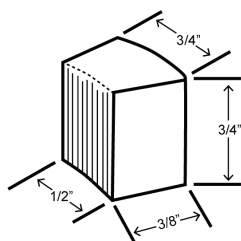
| Condenser | Model        | ICE PRODUCTION                |           | WATER USAGE                  |                                |                          | ELECTRICAL                                 |          |            |  |                              |                             |
|-----------|--------------|-------------------------------|-----------|------------------------------|--------------------------------|--------------------------|--|----------|------------|--|------------------------------|-----------------------------|
|           |              | Air / Water Temp<br>70°/ 50°F | 90°/ 70°F | Potable<br>Gal. per 100 lbs. | Condenser<br>Gal. per 100 lbs. | kWh Used<br>per 100 lbs. | Min. Circuit<br>Amp - Max.<br>Fuse/Breaker | Amperage | Voltage    | Circuit<br>Wires<br>(including ground) | Refrigerant<br>Charge Amount | Net / Ship<br>Weight (lbs.) |
| Remote    | FS-1022MLJ-C | 889                           | 730       | 12.0                         | N/A                            | 5.10                     | 15A  | 3.1A     | 115V/60/1* | 3                                      | 3.5 oz.                      | 110/150                     |

| Condenser | Model   | LINE SETS - Brazing Required |            |            | TEMP RANGE               | ELECTRICAL       |  |          |               |  |                              |                              |                             |
|-----------|---------|------------------------------|------------|------------|--------------------------|------------------|--|----------|---------------|--|------------------------------|------------------------------|-----------------------------|
|           |         | 25' Length                   | 35' Length | 55' Length | Ambient<br>(Outdoor Use) | Voltage<br>Range | Min. Circuit<br>Amp - Max.<br>Fuse/Breaker | Amperage | Voltage       | Circuit<br>Wires<br>(including ground) | Heat<br>Rejection<br>BTU/hr. | Refrigerant<br>Charge Amount | Net / Ship<br>Weight (lbs.) |
| Remote    | SRC-10J | HS-5299†                     | HS-5300†   | HS-5301†   | -20° - 122°              | 187-253VAC       | 20A  | 9.3A     | 208-230V/60/1 | 4                                      | 9,800                        | 15 lb. 14 oz.                | 225 / 270                   |

\*Line sets require refrigerant. Refer to instruction manual for installation and electrical requirements. See instruction manual for wiring diagram.

10 ft. power cord included

### Cubelet Cube Dimensions\*



\* approximate size in inches, image not to scale

### Operating Limits FS-1022MLJ-C

- Ambient Temp Range 45 - 100°F
- Water Temp Range 45 - 90°F
- Water Pressure 10 - 113 PSIG
- Voltage Range 104-127V/187-253V\*

### Service FS-1022MLJ-C

- Allow 6" (15 cm) clearance at rear, sides, and top for proper air circulation and ease of maintenance/service.
- Allow 24" (61 cm) clearance on left side for removal of cube guides
- Panels easily removed and all components accessible for service.

### Plumbing FS-1022MLJ-C

- Icemaker Water Supply Line: Minimum 1/4" Nominal ID Copper Water Tubing or Equivalent
- Icemaker Drain Line: Minimum 3/4" Nominal ID Hard Pipe or Equivalent

### Service- SRC-10J

- Allow 24" (61 cm) clearance in both front and rear for proper air circulation and ease of maintenance/service.
- For best performance the Remote Condenser should not be more than 33 feet above the icemaker or no more than 10 feet below it. These distances are measure from fitting to fitting.

Hoshizaki reserves the right to change specifications without notice.



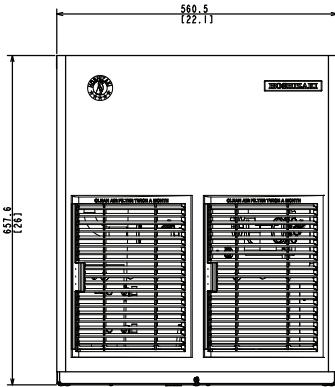
# FS-1022MLJ-C

SERENITY SERIES CUBELET ICE MACHINE



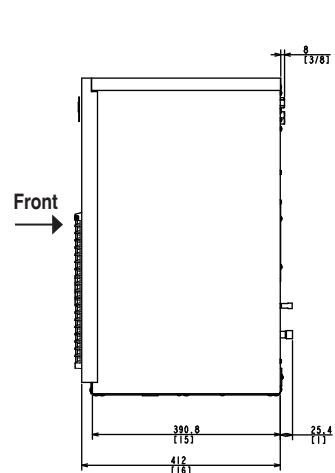
FS-1022MLJ-C  
07/08/19  
Item # 13271

FRONT VIEW



REMOTE AIR-COOLED

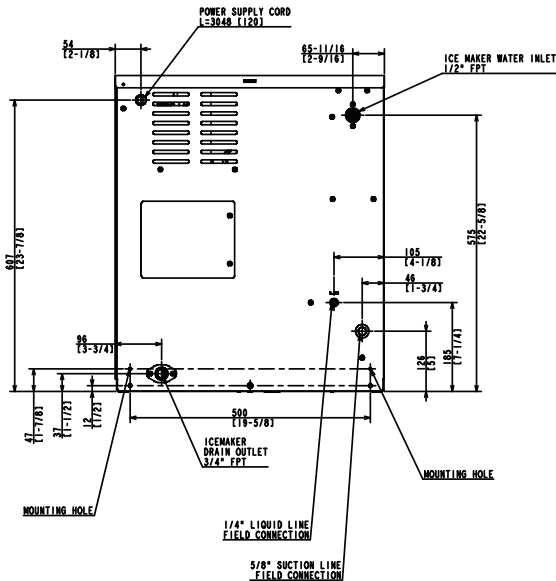
SIDE VIEW



REMOTE AIR-COOLED

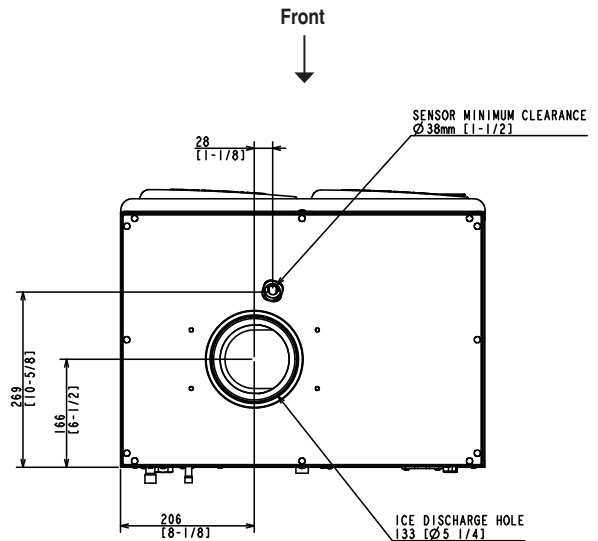
mm  
[inches]

REAR VIEW



REMOTE AIR-COOLED

BOTTOM VIEW

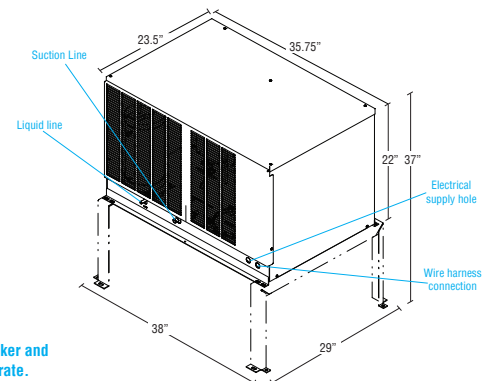


REMOTE AIR-COOLED

**SRC-10J Remote Condenser (Sold Separately)**

35 3/4" x 23 1/2" x 37" (W x D x H with legs)

For Use with FS-1022MLJ-C



**Brazed Line Sets (Sold Separately)**

- 25' HS-5299
- 35' HS-5300
- 55' HS-5301

Voltage supply for ice maker and condensing unit are separate.