



FD-1002M_J-C

Modular Ice Machine Slim-Line Dispenser Series



FD-1002M_J-C
04/08/19
Item # 13242

W x D x H
22" x 24" x 26"


Shipping Dimensions
28¹/₂" x 26³/₄" x 32"


FD-1002MAJ-C
Air-Cooled Cubelet
Shown on Lancer
Sensation 30

FD-1002MRJ-C
Remote Air-Cooled Cubelet



Features

- ▶ Durable stainless steel exterior
- ▶ Advanced CleanCycle24™ design 
- ▶ Stainless steel auger with greaseless bearing

- Up to 890 lbs. of ice production per 24 hours
- 2 second flush cycle every hour
- Flush cycle removes sediment for cleaner ice
- Infrared bin control for easy cleaning and reliability
- Protected by H-GUARD Plus Antimicrobial Agent 
- Ice on beverage design
- Popular cubelet ice
- R-404A Refrigerant

Available on Bins:

B-250PF B-500PF/SF B-700PF/SF B-800PF/SF B-900PF/SF

Top kit may be required; See Bin Spec Sheets.

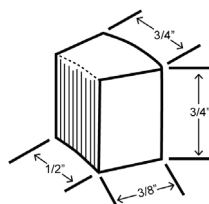
Warranty:

3 Year Parts & Labor on entire machine. 5 Year Parts on Compressor; air-cooled condenser coil. Valid in United States, Canada, Puerto Rico and U.S. Territories. Contact factory for warranty in other countries.



Condenser	Model	ICE PRODUCTION		WATER USAGE		ELECTRICAL							
		Air / Water Temp Lbs. per 24 hours 70° / 50°F 90° / 70°F	Potable Gal. per 100 lbs. 90° / 70°F	Condenser Gal. per 100 lbs. 90° / 70°F	kWh Used per 100 lbs. 90° / 70°F	Max. Fuse Sz or HACR Circuit Bkr	Amperage	Voltage	Circuit Wires (including ground)	Heat Rejection BTU/hr.	Refrigerant Charge Amount	Net / Ship Weight (lbs.)	
Air	FD-1002MAJ-C	890	726	12.0	N/A	4.57	20A	15.2A	115V/60/1	3	8,700	2 lbs. 4 oz.	176 / 210
Remote	FD-1002MRJ-C	821	680	12.0	N/A	4.94	20A	13.7A	115V/60/1	3	8,500	2 lb. 3.3 oz. <small>4 lbs. 1 oz. † (with condenser)</small>	176 / 210

Cube Dimensions*



* approximate size in inches, image not to scale

Operating Limits

- Ambient Temp Range 45 - 100°F
- Water Temp Range 45 - 90°F
- Water Pressure 10 - 113 PSIG
- Voltage Range 104-127V

Service

- Panels easily removed and all components accessible for service.
- Allow 24" (61 cm) clearance at top for removal of auger and 6" (15 cm) clearance at rear and sides for proper air circulation and ease of maintenance/service.

Plumbing

- Icemaker Water Supply Line: Minimum 1/4" Nominal ID Copper Water Tubing or Equivalent
- Icemaker Drain Line: Minimum 3/4" Nominal ID Hard Pipe or Equivalent

Water Filter

Please refer to water filter specification sheet for recommendations.

Hoshizaki reserves the right to change specifications without notice.



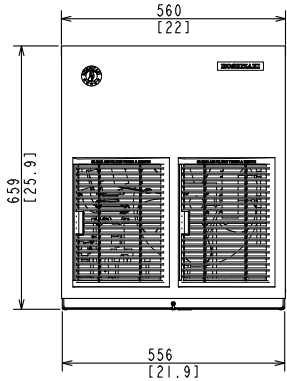
FD-1002M_J-C

Modular Ice Machine
Slim-Line Dispenser Series

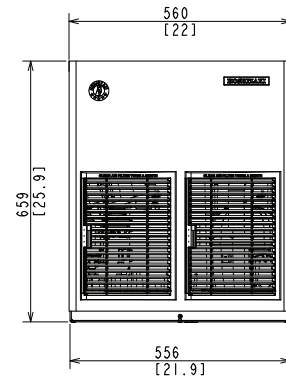


FD-1002M_J-C
04/08/19
Item # 13242

FRONT VIEW



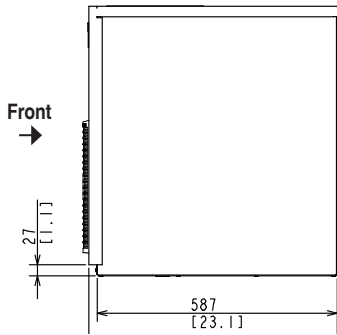
AIR-COOLED



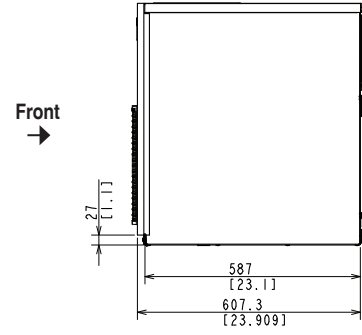
REMOTE AIR-COOLED

mm
[inch]

SIDE VIEW

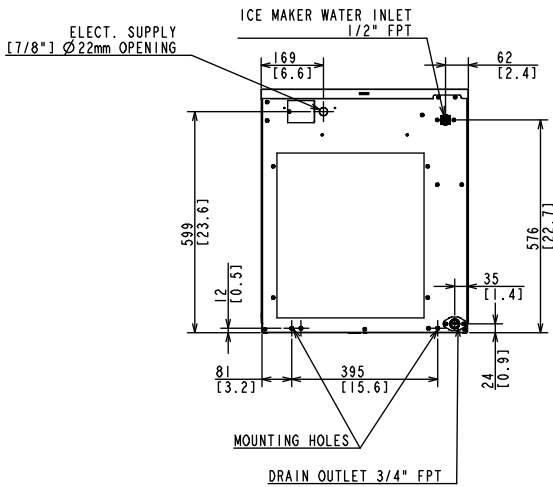


AIR-COOLED

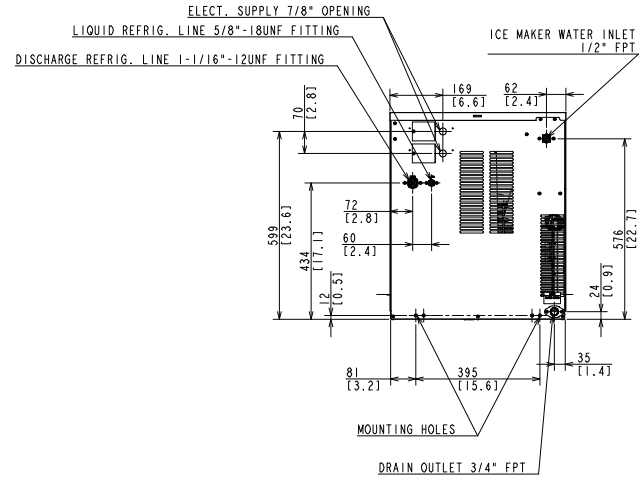


REMOTE AIR-COOLED

REAR VIEW

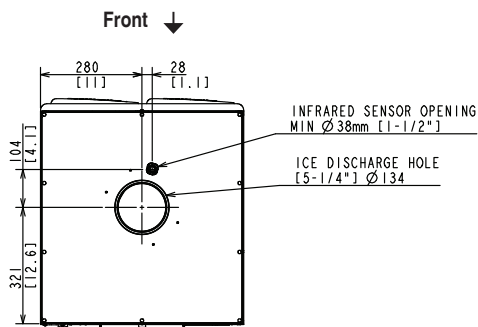


AIR-COOLED



REMOTE AIR-COOLED

BOTTOM VIEW



AIR-COOLED
REMOTE AIR-COOLED

URC-5F Remote Condenser (Sold Separately)
(W x D x H) 21 13/16 x 14 1/16 x 32 13/16
For Use with FD-1002MRJ(-C)



Pre-Charged Tubing Kits
(Sold Separately)
20' R404-2046-2
35' R404-3546-2

Voltage supply for the URC
Remote Condenser is supplied
from the Ice Maker.
No additional circuit is required.

