



CC Series

Slide Top Bottle Coolers



CC Series
02/05/20
Item # 13533

- CC50
- CC80
- CC50-S*
- CC80-S*
- CC65
- CC95
- CC65-S*
- CC95-S*



CC50



CC50-S*



CC65(-S*)



CC80(-S*)



CC95(-S*)

Item #: _____
 Project: _____
 Qty: _____
 AIA#: _____

Features

- ▶ **Stainless steel interior**
- ▶ **Heavy duty 18-gauge stainless steel top**
- ▶ **Durable stainless steel slide top lids including locks**

- Black vinyl coated exterior front, sides, and rear
- Engineered to maintain NSF-7 temperatures in 100°F ambient
- Electronic controller with digital LED display (°F or °C)
- Includes adjustable gray epoxy coated bin dividers
- Front breathing, side mount refrigeration is easily accessible by sliding out front for cleaning and service
- Cabinets are designed to maintain interior temperatures between 32°F to 38°F
- Includes bottle opener and cap catcher
- Interior floor drain
- Cabinet foamed with 1 1/2" CFC free polyurethane insulation
- Environmentally friendly R290 refrigerant

Model	Cabinet Dimensions W x D† x H	Capacity (AHAM) cu ft	Capacity 12oz. / 20oz.	Lids	Bin Dividers	HP	Amps	Voltage	NEMA Plug	Shipping Dimensions W x D x H	Shipping Weight
CC50(-S*)	50.5" x 26.5"† x 33.38"	14.4 ft ³	704 / 286	2	3	1/4	2.0	115	8 ft. 5-15P	53.5" x 31.25" x 39"	235 lbs.
CC65(-S*)	65.5" x 26.5"† x 33.38"	19.6 ft ³	890 / 360	2	4	1/3	2.0	115	8 ft. 5-15P	68.5" x 31.25" x 39"	275 lbs.
CC80(-S*)	80" x 26.5"† x 33.38"	24.67 ft ³	1150 / 547	3	6	1/3	2.0	115	8 ft. 5-15P	82.5" x 31.25" x 39"	315 lbs.
CC95(-S*)	95" x 26.5"† x 33.38"	27.98 ft ³	1408 / 672	3	7	1/2	2.0	115	8 ft. 5-15P	98.5" x 31.25" x 39"	355 lbs.

† Does not include 1" rear cabinet bumper or bottle cap catcher depth

Options & Accessories

* (-S) Stainless Steel Exterior option available - Made to order.

Warranty

3 Year parts and labor / 5 year compressor



Hoshizaki reserves the right to change specifications without notice.

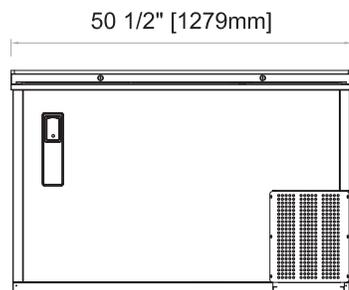


CC Series

Slide Top Bottle Coolers



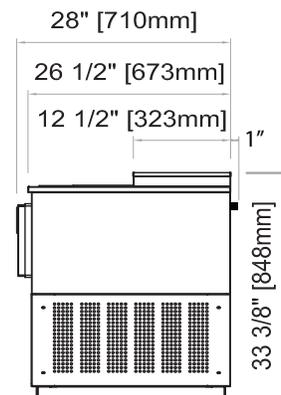
CC Series
02/05/20
Item # 13533



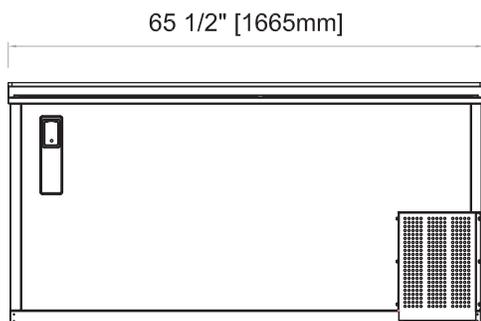
CC50(-S) Front View



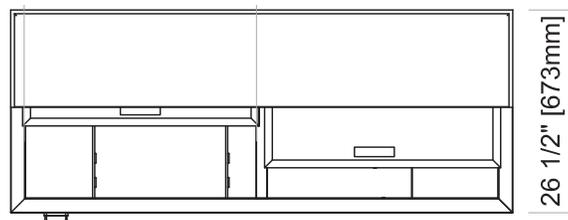
CC50(-S) Plan View



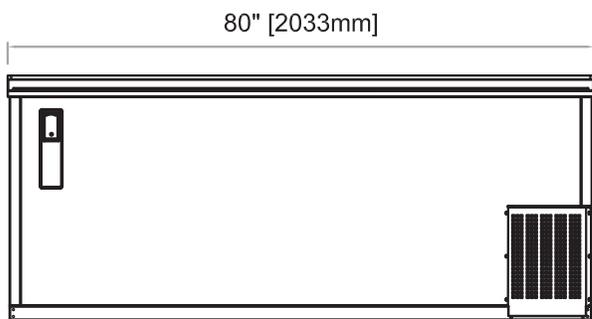
All Models Side View



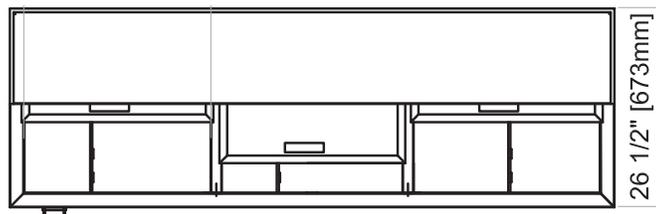
CC65(-S) Front View



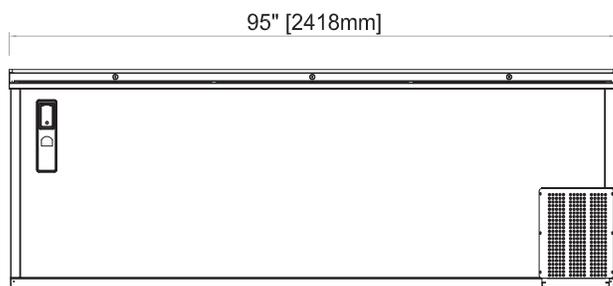
CC-65(-S) Plan View



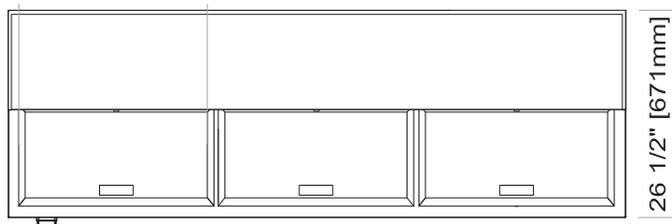
CC80(-S) Front View



CC80(-S) Plan View



CC95(-S) Front View



CC95(-S) Plan View