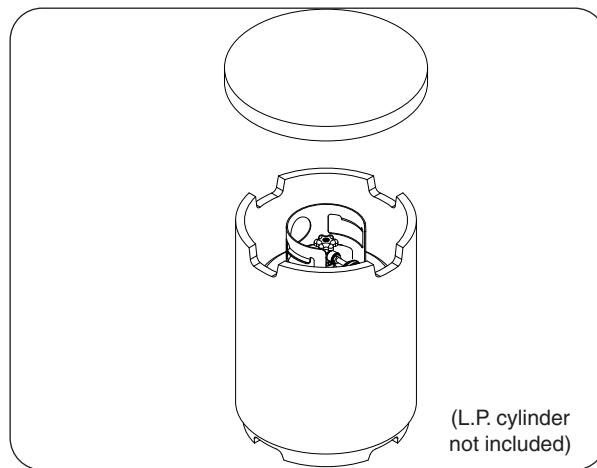


Tank/End Table Instructions

Series:
8510

INSTALLER: Leave these instructions with consumer.
CONSUMER: Retain for future reference.

⚠ WARNING: For Outdoor Use Only



This tank/end table is for use with AFD fire units (firetables, fire pits, fire urns, fireplaces, etc.) that do not accommodate propane (L.P.) cylinders. It provides all necessary ventilation.

CAUTION: Ensure the tank table remains properly vented. Keep the vent openings and surrounding area of the tank table clean and free of obstructions at all times.

CAUTION: FOLLOW ALL THE SAFETY WARNINGS AND INFORMATION FOUND IN THIS INSTRUCTION, ON YOUR L.P. CYLINDER, AND IN YOUR FIRE UNIT OWNER'S MANUAL ABOUT SAFE STORAGE AND USE OF PROPANE GAS.

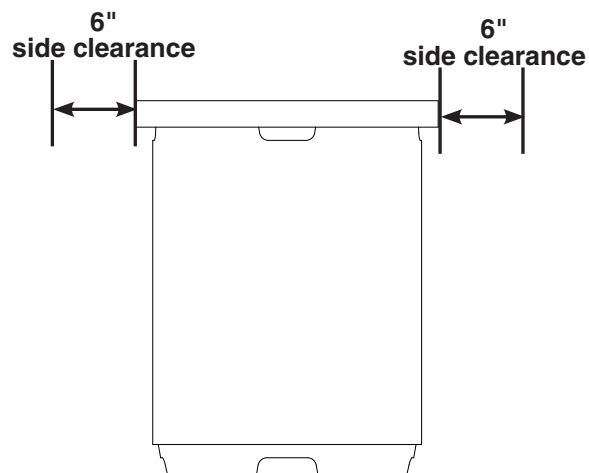
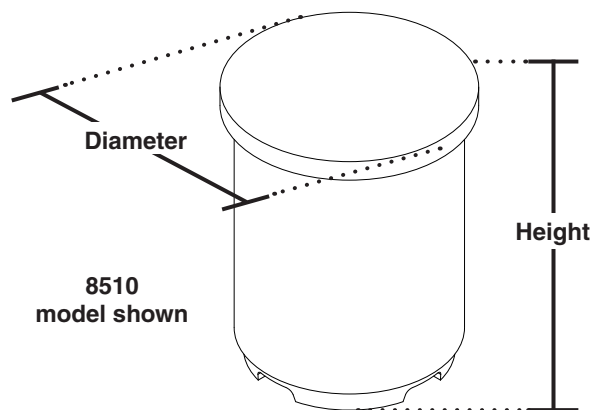
Important: Prior to installation ensure that all specifications, dimensions, and minimum clearances stated in your fire unit owner's manual are observed. You must read all warnings and safety information, and understand all of the information in this instruction AND in your fire unit owner's manual. All installation requirements must be observed and met.

This unit must be installed per this instruction.

SPECIFICATIONS AND DIMENSIONS

Series	8510
Style	Contempo
Dimensions (w/ top in place)	17" dia. x 21-1/4" h
Side clearance (from unit edge to any construction)	6"
Clearance above unit (from unit top to any construction)	0"
Clearance below unit	0"

Table 1 - Tank/End Table Specifications



TOOLS REQUIRED

- 2 assemblers recommended
- Appropriate tools for gas supply install

INSTALLATION

LOCATION

Important: The fire unit and the gas supply lines must be considered along with the tank table when determining the location for placement. See the **GAS SUPPLY SETUP** section of your fire unit owner's manual for more details.

CONNECT GAS SUPPLY TO FIRE UNIT

The tank table must be located in a safe location, within reach of the fire unit's valve connections. An appropriate hose assembly must be purchased separately, properly connected to the flex connector (marked IN) that is coming off the valve assembly, and routed through the side of the fire unit (near floor) to the tank table. Observe all codes. For complete details on connecting the hose to your fire unit, follow the instructions in your main fire unit owner's manual.

PLACE THE TANK TABLE

1. Place the tank table in the previously determined location.

Note: The notch (bottom opening) at floor of the base is to be facing toward the rear or where the gas hose will be feeding from (see Fig. 2-1).

INSTALL PROPANE (L.P.) CYLINDER

Important: Before installation, be sure the L.P. cylinder valve is fully closed.

1. Route the regulator hose assembly (that was previously connected to the fire unit valve assembly) to the tank table and through the bottom opening (see Fig. 2-1).

Note: The base will need to be lifted slightly to properly insert the regulator end of the hose assembly into the base.

Important: Locate the gas supply line out of pathways where people may trip over it or in areas where the line may be subject to accidental damage.

2. The L.P. cylinder (not included) is to be located inside the base of the tank table. To place the cylinder, remove the table top piece, then insert the cylinder (see Fig. 2-2).
3. Attach the regulator end of the hose assembly to the L.P. cylinder and tighten (see Fig. 2-3).

LEAK TEST

Turn on the gas supply, and test at all connections for leaks using a soapy water solution. If bubbles appear, a leak is present. Turn off the gas and tighten at all connections. Repeat until no leaks are present. If a leak persists, turn off the gas supply and contact the local gas company or dealer. **NEVER USE A FLAME TO CHECK FOR LEAKS.**

REPLACE TABLE TOP PIECE

Replace the table top piece (that was previously removed during the assembly section). Ensure it is secure in place.

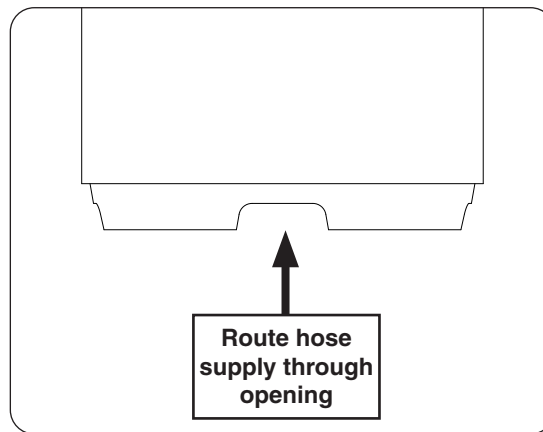


Fig. 2-1 Hose feed location

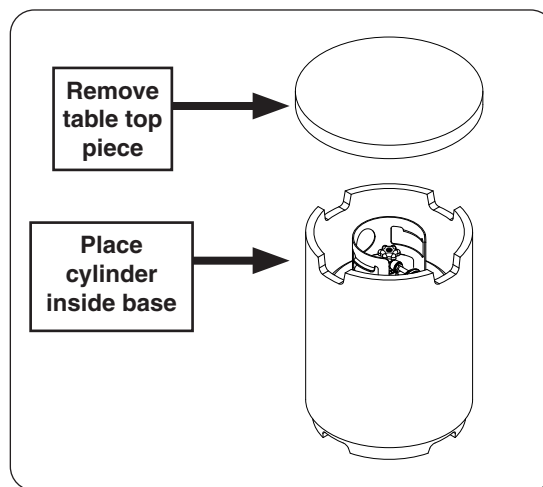


Fig. 2-2 L.P. cylinder placement

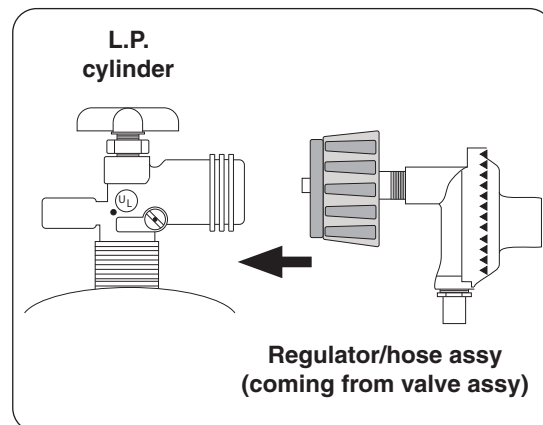


Fig. 2-3 Connect to the L.P. cylinder

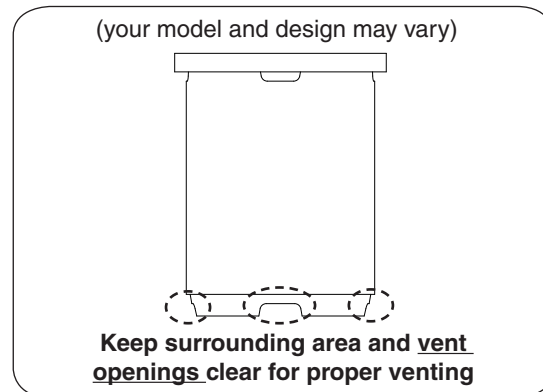


Fig. 2-4 Keep vent openings clear

PROPANE GAS CYLINDER WARNING

**⚠ DANGER: FLAMMABLE GAS UNDER PRESSURE.
LEAKING LP-GAS MAY CAUSE A FIRE OR EXPLOSION IF IGNITED
CAUSING SERIOUS BODILY INJURY OR DEATH.
CONTACT LP GAS SUPPLIER FOR REPAIRS, OR DISPOSAL OF THIS
CYLINDER OR UNUSED LP-GAS.**

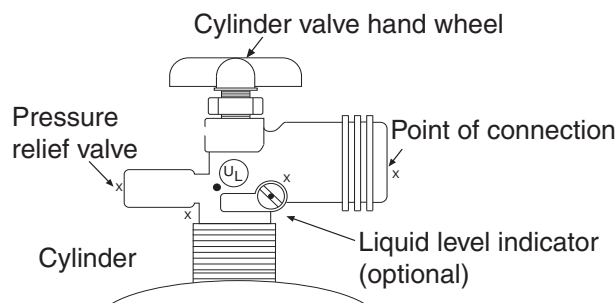
**⚠ WARNING: FOR OUTDOOR USE ONLY.*
DO NOT USE OR STORE CYLINDER IN A BUILDING,
GARAGE OR ENCLOSED AREA.**

⚠ WARNING:

- Know the odor of LP-gas. If you hear, see or smell leaking LP-gas, immediately get everyone away from the cylinder and call the Fire Department. Do not attempt repairs.
- Caution your LP-gas supplier to:
 - Be certain cylinder is purged of trapped air prior to first filling.
 - Be certain not to over fill the cylinder.
 - Be certain cylinder requalification date is checked.
- LP-gas is heavier than air and may settle in low places while dissipating.
- Contact with the liquid contents of cylinder will cause freeze burns to the skin.
- Do not allow children to tamper or play with cylinder.
- When not connected for use, keep cylinder valve turned off. Self contained appliances shall be limited to a cylinder of 20 lb capacity or less.
- Do not use, store or transport cylinder where it would be exposed to high temperatures. Relief valve may open allowing a large amount of flammable gas to escape.
- When transporting, keep cylinder secured in an upright position with cylinder valve turned off.

WHEN CONNECTING FOR USE:

- Use only in compliance with applicable codes.
- Read and follow all labels on the cylinder.
- Read and follow manufacturer's instructions.
- Consult manufacturer's instructions concerning the cylinder connection provided with your appliance.
- Be sure regulator vent is not pointing up.
- Turn off all valves on the appliance.
- Do not check for gas leaks with a match or open flame. Apply soapy water at areas marked "X". Open cylinder valve. If bubble appears, close valve and have LP-gas service person make needed repairs. Also, check appliance valves and connections to make sure they do not leak before lighting appliance.
- Light appliance(s) following manufacturer's instructions.
- When appliance is not in use, keep the cylinder valve closed.



**DO NOT REMOVE, DEFACE, OR OBLITERATE THE LABEL ON THE CYLINDER
* EXCEPT AS AUTHORIZED BY ANSI/NFPA 58.**

⚠ DANGER. Do not store a spare LP cylinder under or near this or any appliance or other heat sources. NEVER fill an LP cylinder beyond 80% full: a fire causing death or serious injury may occur.

**IN ADDITION TO THIS PAGE, FOLLOW ALL INFORMATION IN THE OWNER'S MANUAL
REGARDING PROPANE CYLINDERS, AND FOLLOW ALL LABELS ON THE CYLINDER.**

SAFE USE & MAINTENANCE OF PROPANE GAS CYLINDERS

IMPORTANT FOR YOUR SAFETY

READ AND FOLLOW ALL WARNINGS PROVIDED WITH THE PROPANE-GAS CYLINDER.

When operating this appliance with a propane-gas cylinder, these instructions and warnings **MUST** be observed.

FAILURE TO DO SO MAY RESULT IN A SERIOUS FIRE OR EXPLOSION.

CYLINDER/CONNECTOR REQUIREMENTS

- a. Propane-gas cylinders, valves, and hoses must be maintained in good condition and inspected before each use of appliance. They must be replaced if there is any visible damage. If hose is cut or shows excessive abrasion or wear, it must be replaced before using appliance (see e.).
- b. This unit, when used with a cylinder, should be connected to a standard 5-gallon (20 lb.) propane-gas cylinder equipped with a listed overfilling prevention device. The device has been required on all cylinders sold since October 1, 1998, to prevent overfilling.
- c. Cylinder dimensions should be approximately 12" (30.5 cm) in diameter and 18" (45.7 cm) high. Cylinders must be constructed and marked in accordance with the U.S. Department of Transportation (D.O.T.) *Specifications for LP-Gas Cylinders*, or the *Standard for Cylinders, Spheres, and Tubes for Transportation of Dangerous Goods and Commission*, CAN/CSA-B339, as applicable.
- d. The cylinder used must include a collar to protect the cylinder valve, and the cylinder supply system must be arranged for vapor withdrawal.
- e. The pressure regulator and hose assembly used must match the specification for Type I by *ANSI Z 21.58/CGA 1.6* (see Fig. 4-1).
- f. The propane-gas cylinder valve must be equipped with a cylinder connection device, described as Type I in the standard defined in paragraph e. above. This device is commonly described as an Acme thread coupler.
- g. If the propane-gas cylinder comes with a dust plug, place the dust cap on the cylinder valve outlet whenever the cylinder is not in use.

COUPLER OPERATION

To connect the regulator/hose assembly to the propane-gas cylinder valve fitting: Press the hand nut on the regulator over the Acme thread fitting on the cylinder valve. Turn the hand nut clockwise to engage the threads and tighten until snug.

The use of pliers or a wrench should not be necessary. Only cylinders marked "propane" may be used.

To disconnect: Turn the hand nut counterclockwise until detached (Fig. 4-1).

Important: Before using the unit, and after each time the cylinder is removed and reattached, check the hose for wear (see a.) and check all connections for leaks. Turn off the unit valves and open the main cylinder valve, then check connections with soapy water. Repair any leaks before lighting the unit.

CAUTION: Always turn the propane cylinder main valve off after each use, and before moving the unit and cylinder or disconnecting the coupling. This valve must remain closed and the cylinder disconnected while the appliance is not in use, even though the gas flow is stopped by a safety feature when the coupler is disconnected.

Carefully inspect the hose assembly each time before the gas is turned on. A cracked or frayed hose must be replaced immediately.

If the appliance is stored indoors, the cylinder must be disconnected and removed. Disconnected cylinders must be stored outdoors, out of the reach of children, with threaded valve plugs tightly installed, and must not be stored in a building, garage, or any other enclosed area.

FOR YOUR SAFETY

- a. DO NOT store a spare propane-gas cylinder under or near this appliance.
- b. NEVER fill the cylinder beyond 80-percent full.
- c. IF THE INFORMATION IN a. AND b. IS NOT FOLLOWED EXACTLY, A FIRE CAUSING DEATH OR SERIOUS INJURY MAY OCCUR.

Fig. 4-1 Type I Acme thread coupler

