

695 series shown

Series:
690, 695

(Media purchased separately)

Certified to:
ANSI Z21.97/CSA 2.41
for outdoor decorative
gas appliances



⚠ WARNING: For Outdoor Use Only. Installation and service must be performed by an NFI certified or other qualified installer, service agency, or the gas supplier.

OUTDOOR FIREFALL

⚠ DANGER
FIRE OR EXPLOSION HAZARD
If you smell gas:

- Shut off gas to the appliance.
- Extinguish any open flame.
- If odor continues, leave the area immediately.
- After leaving the area, call your gas supplier or fire department.

Failure to follow these instructions could result in fire or explosion, which could cause property damage, personal injury, or death.

⚠ WARNING
Do not store or use gasoline, or other flammable vapors and liquids, in the vicinity of this or any other appliance.
A LP- cylinder not connected for use shall not be stored in the vicinity of this or any other appliance.

⚠ WARNING: If the information in this manual is not followed exactly, a fire or explosion may result causing property damage, personal injury, or loss of life.

⚠ DANGER

CARBON MONOXIDE HAZARD

This appliance can produce carbon monoxide which has no odor.

Using it in an enclosed space can kill you.

Never use this appliance in an enclosed space such as a camper, tent, car, or home.



INSTALLER: Leave this manual with the appliance.
CONSUMER: Retain this manual for future reference.

Important: Read these instructions carefully before starting installation of the unit.

⚠ WARNING

Improper installation, adjustment, alteration, service, or maintenance can cause property damage, personal injury, or loss of life. Read the installation, operating and maintenance instructions thoroughly before installing or servicing this equipment.

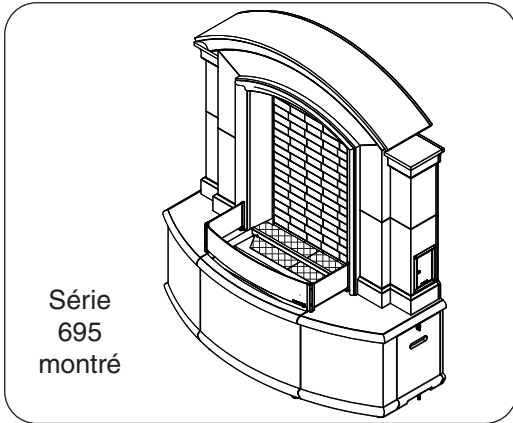
This appliance is designed as an **attended appliance**. **DO NOT** leave this appliance burning when unattended.

IMPORTANT

For safe operation and proper performance of this product and to comply with certification, listings, and building code acceptances, use ONLY Peterson AFD controls, parts, decorative media, and accessories that have been specifically listed or certified for use with this burner system. Use of other controls, parts, or accessories is prohibited and will void all warranties, certifications, listings, and building code approvals, and may cause property damage, personal injury, and loss of life.

CODE AND SUPPLY REQUIREMENTS:

The installation must conform with local codes and ordinances, or, in the absence of local codes, with the latest *National Fuel Gas Code, ANSI Z223.1*.



Série
695
montré

Série:
690, 695

(Médias achetés séparément)

Certifié à:
ANSI Z21.97/CSA 2.41
pour les appareils à gaz
décoratifs extérieurs



⚠ AVERTISSEMENT: pour usage extérieur uniquement. L'installation et l'entretien doivent être effectués par un installateur certifié NFI ou par un autre installateur qualifié, une agence de service ou le fournisseur de gaz.

FIREFALL D'EXTÉRIEUR

⚠ DANGER
RISQUE D'INCENDIE OU D'EXPLOSION

Si vous sentez du gaz:

- Coupez le gaz à l'appareil.
- Éteignez toute flamme nue.
- Si l'odeur persiste, quittez immédiatement la zone.
- Après avoir quitté la zone, appelez votre fournisseur de gaz ou le service d'incendie.

Le non-respect de ces instructions peut entraîner un incendie ou une explosion, ce qui pourrait provoquer des dommages matériels, des blessures corporelles ou la mort.

⚠ AVERTISSEMENT

Ne pas stocker ni utiliser d'essence ou d'autres vapeurs et liquides inflammables à proximité de cet appareil ou de tout autre appareil.

Une bouteille LP non connectée pour utilisation ne doit pas être stockée à proximité de cet appareil ou de tout autre appareil.

⚠ AVERTISSEMENT: si les informations contenues dans ce manuel ne sont pas suivies à la lettre, un incendie ou une explosion peut en résulter, causant des dommages matériels, des blessures corporelles ou la mort.

⚠ DANGER



RISQUE DE MONOXYDE DE CARBONE

Cet appareil peut produire du monoxyde de carbone qui n'a pas d'odeur.

L'utiliser dans un espace clos peut vous tuer.

N'utilisez jamais cet appareil dans un espace clos tel qu'un camping-car, une tente, une voiture ou une maison.

INSTALLATEUR: Laissez ce manuel avec l'appareil.
CONSOMMATEUR: Conservez ce manuel pour référence future.

Important: Lisez ces instructions soigneusement avant de commencer l'installation de l'unité.

⚠ AVERTISSEMENT

L'installation, l'ajustement, le changement, le service, ou l'entretien inexact peuvent causer des dégâts matériels, le dommage corporel, ou des pertes humaines. Lisez l'installation, l'opération et les instructions d'entretien complètement avant d'installer ou entretenir cet équipement.

Cet appareil est conçu comme un appareil surveillé.
Ne laissez pas cet appareil brûler sans surveillance.

IMPORTANT

Pour un fonctionnement en toute sécurité et le bon fonctionnement de ce produit et pour se conformer aux certifications, listes et acceptations des codes du bâtiment, utilisez **UNIQUEMENT** les commandes, pièces, supports décoratifs et accessoires Peterson AFD spécialement répertoriés ou certifiés pour être utilisés avec ce système de brûleur. L'utilisation d'autres commandes, pièces, ou accessoires est interdite et videra toutes les garanties, certifications, listes, et approbations de codes du bâtiment, et peut causer des dégâts matériels, le dommage corporel, et des pertes humaines.

CONDITIONS DE CODE ET D'APPROVISIONNEMENT:
L'installation doit se conformer aux codes locaux et aux ordonnances, ou, en l'absence des codes locaux, au plus défunt code national de gaz de carburant, la norme ANSI Z223.1.

PROPANE GAS CYLINDER WARNING (IF APPLICABLE)

**⚠ DANGER: FLAMMABLE GAS UNDER PRESSURE.
LEAKING LP-GAS MAY CAUSE A FIRE OR EXPLOSION IF IGNITED
CAUSING SERIOUS BODILY INJURY OR DEATH.
CONTACT LP GAS SUPPLIER FOR REPAIRS, OR DISPOSAL OF THIS
CYLINDER OR UNUSED LP-GAS.**

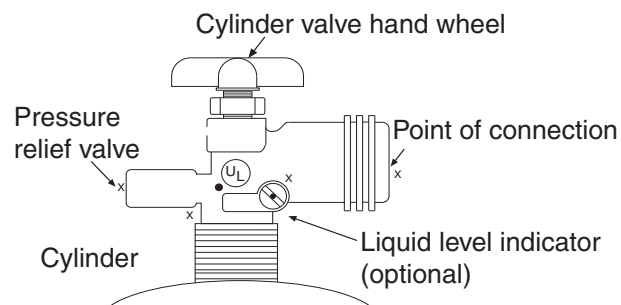
**⚠ WARNING: FOR OUTDOOR USE ONLY.*
DO NOT USE OR STORE CYLINDER IN A BUILDING,
GARAGE OR ENCLOSED AREA.**

⚠ WARNING:

- Know the odor of LP-gas. If you hear, see or smell leaking LP-gas, immediately get everyone away from the cylinder and call the Fire Department. Do not attempt repairs.
- Caution your LP-gas supplier to:
 - Be certain cylinder is purged of trapped air prior to first filling.
 - Be certain not to over fill the cylinder.
 - Be certain cylinder requalification date is checked.
- LP-gas is heavier than air and may settle in low places while dissipating.
- Contact with the liquid contents of cylinder will cause freeze burns to the skin.
- Do not allow children to tamper or play with cylinder.
- When not connected for use, keep cylinder valve turned off. Self contained appliances shall be limited to a cylinder of 20 lb capacity or less.
- Do not use, store or transport cylinder where it would be exposed to high temperatures. Relief valve may open allowing a large amount of flammable gas to escape.
- When transporting, keep cylinder secured in an upright position with cylinder valve turned off.

WHEN CONNECTING FOR USE:

- Use only in compliance with applicable codes.
- Read and follow all labels on the cylinder.
- Read and follow manufacturer's instructions.
- Consult manufacturer's instructions concerning the cylinder connection provided with your appliance.
- Be sure regulator vent is not pointing up.
- Turn off all valves on the appliance.
- Do not check for gas leaks with a match or open flame. Apply soapy water at areas marked "X". Open cylinder valve. If bubble appears, close valve and have LP-gas service person make needed repairs. Also, check appliance valves and connections to make sure they do not leak before lighting appliance.
- Light appliance(s) following manufacturer's instructions.
- When appliance is not in use, keep the cylinder valve closed.



**DO NOT REMOVE, DEFACE, OR OBLITERATE THE LABEL ON THE CYLINDER
* EXCEPT AS AUTHORIZED BY ANSI/NFPA 58.**

⚠ DANGER. Do not store a spare LP cylinder under or near this or any appliance or other heat sources. NEVER fill an LP cylinder beyond 80% full: a fire causing death or serious injury may occur.

**IN ADDITION TO THIS PAGE, FOLLOW ALL INFORMATION IN THIS MANUAL REGARDING
PROPANE CYLINDERS, AND FOLLOW ALL LABELS ON THE CYLINDER.**

AVERTISSEMENT DE CYLINDRE DE GAZ PROPANE (LE CAS ÉCHÉANT)

⚠ DANGER: Gaz inflammable sous pression. Une fuite de GPL peut causer un incendie ou une explosion si elle est enflammée entraînant des blessures corporelles graves ou la mort. Communiquer avec le fournisseur de GPL pour les réparations ou pour disposer de cette bouteille ou du GPL non utilisé.

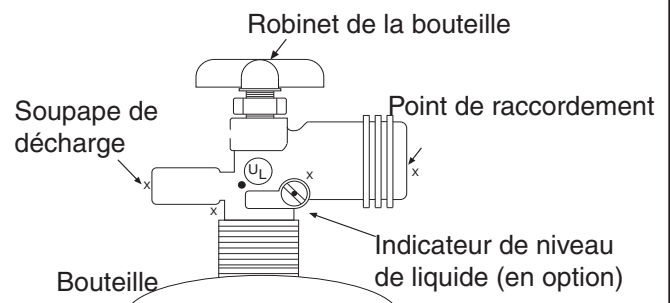
⚠ AVERTISSEMENT: Pour usage à l'extérieur seulement. *Ne pas utiliser ni entreposer la bouteille dans un bâtiment, un garage ou un endroit fermé.

⚠ AVERTISSEMENT:

- Apprenez à reconnaître l'odeur du GPL. Si vous entendez, voyez ou sentez une fuite de GPL, éloignez immédiatement toutes les personnes de la bouteille et appelez le service d'incendie. Ne tentez aucune réparation.
- Avertissement pour le fournisseur de GPL: Assurez-vous que la bouteille a été purgée de tout l'air avant de procéder au remplissage initial. Assurez-vous de ne pas trop remplir la bouteille. Assurez-vous que la date de requalification de la bouteille a été vérifiée.
- Le GPL est plus lourd que l'air et peut se déposer près du sol avant de se dissiper
- Le contact avec le contenu liquide de la bouteille peut causer des brûlures à la peau par le froid.
- Ne pas permettre aux enfants de jouer avec la bouteille.
- Si la bouteille n'est pas raccordée pour utilisation, s'assurer que le robinet est fermé. Les bouteilles des appareils autonomes de cuisson en plein air doivent être limitées à une capacité d'au plus 20 lb.
- Ne pas utiliser, entreposer ni transporter une bouteille si elle risque d'être exposée à des températures élevées. La soupape de décharge pourrait s'ouvrir et libérer une grande quantité de gaz inflammable.
- Lors du transport, sécuriser la bouteille en position debout et s'assurer que le robinet est fermé.

Lors du raccordement pour utilisation :

- Utilisez uniquement conformément aux codes en vigueur.
- Lisez et suivez toutes les étiquettes sur le cylindre.
- Lisez et suivez les instructions du fabricant
- Consultez les instructions du fabricant visant le raccordement de la bouteille fournie avec l'appareil.
- Assurez-vous que l'évent du régulateur n'est pas dirigé vers le haut.
- Fermez tous les robinets sur l'appareil.
- Ne pas utiliser d'allumette ou de flamme nue pour vérifier la présence d'une fuite de gaz. Appliquez une solution d'eau savonneuse sur les zones marquées d'un « X ». Ouvrir le robinet de la bouteille. Si des bulles se forment, fermez le robinet et demandez à une personne qualifiée pour l'entretien d'appareils au GPL de faire les réparations requises. Avant d'allumer l'appareil, vérifiez aussi les robinets et les raccordements de l'appareil afin de vous assurer qu'il n'y a pas de fuite.
- Allumez l'appareil selon les instructions du fabricant.
- Lorsque vous n'utilisez pas l'appareil, gardez le robinet de la bouteille fermé.



NE PAS RETIRER, BARBOUILLER OU EFFACER CETTE ÉTIQUETTE *SAUF DANS LES CAS PERMIS SELON LES NORMES L'ANSI/NFPA 58 ou la CSA B149.

⚠ DANGER. Ne stockez pas de bouteille de GPL de recharge sous ou à proximité de cet appareil ou de tout autre appareil.

NE remplissez JAMAIS une bouteille de GPL au-delà de 80%: un incendie causant la mort ou des blessures graves peut survenir.

EN PLUS DE CETTE PAGE, SUIVEZ TOUTES LES INFORMATIONS DE CE MANUEL CONCERNANT LES BOUTEILLES DE PROPANE ET SUIVEZ TOUTES LES ÉTIQUETTES SUR LA BOUTEILLE.

TABLE OF CONTENTS

GETTING STARTED

PRE-INSTALLATION AND PREPARATION SAFETY GUIDELINES	6
INSTALLATION SAFETY GUIDELINES	7
OPERATING THE UNIT SAFELY AND CORRECTLY ...	7
SAFE USE & MAINTENANCE OF PROPANE GAS CYLINDERS	9
GAS SAFETY INFORMATION	10
<i>WARNING</i>	10
<i>WHEN USING PROPANE GAS</i>	10
<i>WHEN USING NATURAL GAS</i>	10
<i>INSTALLATION SAFETY GUIDELINES</i>	10
<i>OPERATION SAFETY GUIDELINES</i>	10
ELECTRICAL SAFETY INFORMATION	11
SPECIFICATIONS AND DIMENSIONS.....	11
<i>PRIMARY MEDIA OPTIONS (required)</i>	12
<i>SECONDARY MEDIA OPTIONS (optional)</i>	12
PROPANE CYLINDER ENCLOSURE REQUIREMENTS (if applicable)	14
<i>PROPANE CYLINDER ENCLOSURE PARAMETERS</i>	14
<i>PROPANE CYLINDER ENCLOSURE VENTILATION AND DRAINAGE</i>	15
MINIMUM CLEARANCES	16
TOOLS REQUIRED	16
PARTS LIST	17

INSTALLATION

IMPORTANT SAFETY INFORMATION	20
FIREFALL INSTALLATION	20
<i>BEFORE YOU BEGIN</i>	20
<i>LOCATION</i>	20
<i>FIREFALL ASSEMBLY - OVERVIEW</i>	21
<i>GAS SUPPLY SETUP (if applicable)</i>	22
<i>WATER SUPPLY SETUP (if applicable)</i>	22
<i>ELECTRICAL SETUP</i>	22
<i>CONSTRUCT L.P. CYLINDER ENCLOSURE (if applicable)</i>	23
<i>FIREFALL ASSEMBLY - STEP BY STEP</i>	24
<i>CONNECT GAS SUPPLY - 695 MODELS</i>	26
<i>CONNECT GAS SUPPLY - 690 MODELS</i>	28

GLASS MEDIA PLACEMENT	34
<i>GLASS MEDIA</i>	34
<i>GLASS NUGGETS</i>	34
ACCESSORIES.....	35
<i>WIND GUARD</i>	35
NOTES PAGE	36

USE, CARE, & SERVICE

LIGHTING INSTRUCTIONS - MANUAL FLAME SENSING CONTROL MODELS.....	37
<i>FOR YOUR SAFETY, READ BEFORE LIGHTING</i>	37
<i>LIGHTING</i>	37
<i>TO SHUT OFF GAS TO THE APPLIANCE</i>	37
<i>WATER FEATURE</i>	37
<i>LIGHTS</i>	37
LED LIGHTS - REMOTE OPERATION.....	39
<i>ORIENTATION</i>	39
<i>REMOTE USE</i>	39
<i>SHUTTING DOWN</i>	39
<i>REMOTE STORAGE AND CARE</i>	39
SERVICING AND CLEANING.....	41
<i>ANNUAL CLEAN / INSPECTION GUIDELINES</i>	41
<i>CONCRETE CARE</i>	42
<i>WATER SYSTEM CARE</i>	42
<i>WIND GUARD CLEANING</i>	42
<i>BATTERY INSTALLATION/REPLACEMENT</i>	42
<i>FUEL CONVERSION KITS</i>	42
TROUBLESHOOTING.....	43
WARRANTY	46

IMPORTANT SAFETY INFORMATION

Congratulations on your purchase of an American Fyre Designs outdoor gas firefall. Made with pride in America, your new fire bowl complies with national safety standards and when installed per these instructions and used as intended it will provide warmth and comfort to your outdoor area for many years.

Prior to installation and operation ensure that all specifications, dimensions, and minimum clearances stated in this manual are observed. You must read all warnings and safety information, and understand all of the information in this manual. All installation requirements must be observed and met.

PRE-INSTALLATION AND PREPARATION SAFETY GUIDELINES

- A. A shut-off valve (not included) in the gas supply line is required.** It provides for safety when the unit is not in use and for convenient maintenance and repair. It must be installed within 6 feet of unit and must be easily accessible. Use a pipe joint compound resistant to all gasses on all NPT pipe fittings **except flare fittings**.
- B.** Before installing this unit, check the MINIMUM CLEARANCES section to ensure that the surrounding area is **properly sized for the installation**.
- C.** The unit is for outdoor use only. **DO NOT** install or use this appliance inside a building, garage, or any other enclosed area, including recreational vehicles and/or boats. **THIS UNIT MUST BE INSTALLED SO THAT THE VENT OPENINGS AND SURROUNDING AREA OF THE UNIT REMAIN CLEAR AND FREE AT ALL TIMES. IF APPLICABLE, SEE THE PROPANE CYLINDER ENCLOSURE REQUIREMENTS SECTION.**
- D. SOLID FUEL MUST NOT BE BURNED in the unit.**
- E. CHECK GAS TYPE** (natural gas or propane): The gas supply you intend to use may not be the same as that stated on the unit rating plate as purchased. If the gas supply is different, **convert the unit to the gas type you intend to use (IF PERMITTED)**. See the FUEL CONVERSION KIT section and contact the dealer for assistance.
- F. FOR NATURAL GAS:** The minimum inlet gas-supply pressure for purposes of input adjustment is **5"** water column (w.c.), and the maximum inlet gas-supply pressure is **10.5 "** w.c.
FOR PROPANE GAS: The minimum inlet gas-supply pressure for purposes of input adjustment is **11"** w.c., and the maximum inlet gas-supply pressure is **13"** w.c. **DO NOT INSTALL THIS UNIT IF MINIMUM PRESSURE IS NOT AVAILABLE OR IF MAXIMUM PRESSURE IS EXCEEDED.**
- G. The gas piping system must be sized to provide minimum inlet pressure at the maximum flow rate (BTU/hr).** Undue pressure loss will occur if the pipe is too small, or the run is too long. Gas supply pipe must be 1/2" minimum interior diameter. If the gas line is longer than 20', a larger diameter line may be necessary. Refer to the NFPA 54 guidelines for further details.
- H.** For installations at elevations above 2,000 ft., contact your local dealer or gas supplier before installing. Input ratings should be reduced approximately 4% per 1,000 ft. above sea level. Refer to National Fuel Gas Code.
- I.** The unit and its individual shut-off valve must be disconnected from the gas-supply piping system during any pressure testing of that system at test pressures in excess of 1/2 psi (3.5 kPa). This is accomplished by closing the gas-supply line valve. The unit must be isolated from the gas-supply piping system by closing its individual manual shut-off valve during any pressure testing of the gas-supply piping system at test pressures equal to or less than 1/2 psi (3.5 kPa).
- J.** When a gas appliance is for connection to a fixed piping system, the installation must conform with local codes, or in the absence of local codes with the National Fuel Gas Code, ANSI Z223.1/NFPA 54; national Fuel Gas Code, Natural Gas and Propane Installation Code, CSA B149.1; or Propane Storage and Handling Code, CSA B149.2, as applicable. The appliance, when installed, must be electrically grounded in accordance with local codes, or in the absence of local codes with the National Electrical Code, ANSI/NFPA 70; or the Canadian Electrical Code, CSA C22.1, if applicable.
Electrical Grounding Instructions - This appliance is equipped with a three-prong (grounding) plug for your protection against shock hazard and should be plugged directly into a properly grounded three-prong receptacle. Do not cut or remove the grounding prong from this plug.
- K. INSTALLER NOTE:** This unit should be installed so that it can be removed if service is required.
- L. GAS-SUPPLY PLUMBING REQUIREMENTS**
Use a pipe joint compound resistant to all gasses on all NPT pipe fittings. Make sure to tighten every fitting securely. **Do not use pipe joint compound to connect flare fittings.** Bring the gas-supply pipe up from beneath the hearth or directly behind the hearth as appropriate for your installation.
- M. DECORATIVE MEDIA:** The unit does not include the decorative media required for safe operation and proper performance. You **MUST** purchase the American Fyre Designs media separately. Numerous options are available. See the SPECIFICATIONS AND DIMENSIONS (media option) section for details.
- CAUTION:** Installation and maintenance must be done by an NFI Certified or other qualified professional service technician. Installer, read these instructions before installing. Be sure you understand all safety precautions and warnings contained in the manual.
- N.** The maximum inlet water-supply pressure is 80 psi. Do not install the GAS APPLIANCE IF MAXIMUM PRESSURE IS EXCEEDED.

INSTALLATION SAFETY GUIDELINES

- A. Carefully inspect for shipping damage. If any parts are damaged, call the dealer.
- B. Installation and repair should be done by a qualified professional service technician. The gas appliance should be inspected before use and at least annually by a qualified service person. More frequent cleaning may be required as necessary. It is imperative that control compartment, burners and circulating air passageways of the appliance are kept clean.
- C. Correct installation and proper placement of the unit and its decorative media **is crucial** to the safe performance of the unit. See MEDIA PLACEMENT section for details.
- D. **DO NOT** install the unit under any overhead combustible materials.
- E. Ensure that the unit (and propane cylinder enclosure - if applicable) is (are) installed on a hard and level surface.
- F. **This unit must be installed so that the vent openings and surrounding area of the unit remain clear and free at all times. If applicable, see PROPANE CYLINDER ENCLOSURE REQUIREMENTS section.**
- G. Due to high temperatures, the enclosure and/or unit must be located out of traffic areas and away from combustibles.
- H. **IF APPLICABLE, KEEP THE THERMOCOUPLE SCREEN CLEAR OF DECORATIVE MEDIA AND ANY OTHER ITEMS / DEBRIS AT ALL TIMES. THIS WILL ALLOW FOR PROPER IGNITION AND OPERATION. DO NOT COVER.**
- I. If applicable, ensure all propane cylinder enclosure construction, ventilation, and water drainage requirements are met. See PROPANE CYLINDER ENCLOSURE REQUIREMENTS section.

OPERATING THE UNIT SAFELY AND CORRECTLY

- A. **This product is a decorative gas appliance. It is not a cooking appliance.**
- B. **SOLID FUEL MUST NOT BE BURNED** in the unit.
- C. When shutting the appliance down—be sure to TURN THE CONTROL VALVE FULLY OFF.
- D. Children MUST be carefully supervised when they are in the area of this unit.
- E. **DO NOT** rest, hang, or place any part of the body, clothing, or other flammable materials on or near the unit surround. Children and adults should be alerted to the hazard of high surface temperatures and should stay away to avoid burns or clothing ignition. DO NOT lean into the unit when lighting or when in use.
- F. Every time you use the unit, **make sure that:**
 - The area around the enclosure and/or unit is clear and free from combustible materials, gasoline and other flammable vapors and liquids.
 - The vent openings and surrounding area of the enclosure and/or unit are clear and free at all times.
 - **THE THERMOCOUPLE SCREEN IS CLEAR OF DECORATIVE MEDIA AND ANY OTHER ITEMS / DEBRIS (IF APPLICABLE). DO NOT COVER.**
 - The hose is inspected (if applicable). See the SAFE USE & MAINTENANCE OF PROPANE-GAS CYLINDERS section.
 - The burner flame appears normal. If the flame is uneven, low, or high, immediately shutdown and refer to the TROUBLESHOOTING section for details.
- G. **WARNING: HOT WHILE IN OPERATION AND FOLLOWING OPERATION. Serious injury can occur! DO NOT** throw trash, paper, or other flammable materials into the unit. **Adults MUST be present when the gas appliance is operating. The appliance MUST NOT be left burning when unattended or while anyone is sleeping.**
WARNING: DO NOT operate this unit in the rain.
WARNING: DO NOT operate this unit in high-wind conditions.
- H. **DO NOT** continue using if you smell unusual odors, or have headaches, nausea, or dizziness.
- I. **DO NOT** store any combustible materials, gasoline, and any other flammable vapors/liquids in the vicinity of the unit. Provide adequate clearance for servicing and operation.
- J. Matches, paper, garbage, or any other material must not be thrown into the unit.
- K. **DO NOT** use the appliance if any part of it has been underwater. Immediately call a qualified professional service technician to inspect the appliance and to replace any part of the control system and any gas control that has been underwater.
- L. **WARNING:** Food cannot be consumed after coming in direct contact with the surface of the unit due to possible contamination.

UTILISATION SÛRE ET ENTRETIEN DES CYLINDRES DE GAZ DE PROPANE

IMPORTANT POUR VOTRE SÛRETÉ

LISEZ ET SUIVEZ TOUS LES AVERTISSEMENTS ÉQUIPÉS DE VOTRE CYLINDRE DE GAZ DE PROPANE.

En actionnant cet appareil avec un cylindre de gaz de propane ON DOIT observer ces instructions et avertissements.

LE MANQUE DE FAIRE AINSI PEUT AVOIR COMME CONSÉQUENCE UNE INCENDIE OU UNE EXPLOSION SÉRIEUSE.

CYLINDRE ET CONDITIONS ET CARACTÉRISTIQUES DE CONNECTEUR

- Les bouteilles, les vannes et les tuyaux de propane doivent être entretenus et inspectés avant chaque utilisation. Ils doivent être remplacés en cas de dommages visibles. Si le tuyau est coupé ou présente des signes d'abrasion ou d'usure, il doit être remplacé avant utilisation (voir e.).
- Cette unité, lorsqu'elle est utilisée avec une bouteille, doit être connectée à une bouteille standard de gaz propane de 5 gallons (20 lb) équipée d'un dispositif anti-débordement répertorié. L'appareil est obligatoire sur toutes les bouteilles vendues depuis le 1er octobre 1998 afin d'empêcher tout remplissage excessif.
- Les dimensions du cylindre doivent être d'environ 12" (30,5 cm) de diamètre et 18" (45,7 cm) de hauteur. Les bouteilles doivent être construites et marquées conformément aux spécifications du ministère des Transports (DOT) pour les bouteilles à gaz LP ou à la norme relative aux bouteilles, sphères et tubes pour le transport des marchandises dangereuses et à la Commission, CAN / CSA-B339, selon le cas.
- Le cylindre doit inclure un collier pour protéger la valve de cylindre et le circuit d'alimentation de cylindre doit être assuré le retrait de vapeur.
- Le montage du régulateur de pression et le flexible (Fig. 8-1) fourni avec cet appareil au gaz en plein air (modèles au propane seulement) doit être utilisé. Assemblées d'origine et régulateur de pression et le tuyau de remplacement doivent être ceux spécifiés par le fabricant pour le raccordement d'un dispositif de cylindre de liaison identifiée comme de type I par le ANSI Z 21.58/CGA 1.6 (voir liste des pièces pour les informations de commande).
- La valve de cylindre de gaz de propane doit être équipée d'un dispositif d'accouplement de raccordement de cylindre, décrit comme type I dans la norme définie dans le e. de paragraphe ci-dessus. Ce dispositif est généralement décrit comme coupleur de fil de point culminant.
- Si votre cylindre de gaz de propane vient avec une prise de la poussière, placez le bouchon anti-poussière sur la sortie de valve de cylindre toutes les fois que le cylindre n'est pas en service.

OPÉRATION DE COUPLEUR

Pour relier le régulateur/hose à l'ajustage de précision de valve de cylindre de gaz de propane: Serrez l'écrou de main sur le régulateur au-dessus de l'ajustage de précision de fil de point culminant sur la valve de cylindre. Tournez l'écrou de

main dans le sens des aiguilles d'une montre pour engager les fils et pour serrer jusqu'à ce que douillettement. L'utilisation des pinces ou de la clé ne devrait pas être nécessaire. Seulement le propane marqué par cylindres doit être employé.

Pour débrancher: Tournez l'écrou de main dans le sens contraire des aiguilles d'une montre jusqu'à isolé (fig. 8-1).

Important: Avant d'employer le unité, et ensuite chaque fois que le cylindre est enlevé et rattaché, examinez tous les raccordements pour déceler les fuites. Arrêtez les valves de unité et ouvrez la valve principale de cylindre, puis vérifiez les raccordements avec de l'eau savonneux. Réparez toutes les fuites avant d'allumer le unité.

ATTENTION: Tournez toujours la valve principale de cylindre de propane au loin après chaque utilisation, et avant de déplacer le unité et le cylindre, ou débrancher l'accouplement. Cette valve doit rester fermée et le cylindre a débranché alors que l'appareil n'est pas en service, quoique l'écoulement de gaz soit arrêté par un dispositif de sûreté quand le coupleur est débranché.

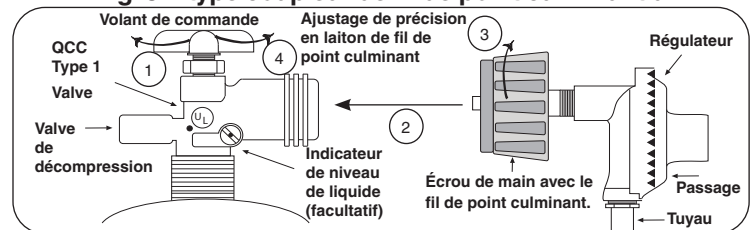
Inspectez soigneusement l'ensemble de tuyau chaque fois avant que le gaz soit allumé. Un tuyau fissuré ou effiloché doit être immédiatement remplacé.

Si l'appareil est stocké à l'intérieur, le cylindre doit être disconnected et a enlevé. Des cylindres Disconnected doivent être stockés dehors, hors de la portée des enfants, avec les prises de valve filettées étroitement installées, et ne doivent pas être stockés dans un bâtiment, le garage, ou n'importe quel autre secteur inclus.

POUR VOTRE SÛRETÉ

- Ne stockez pas un cylindre de gaz disponible de propane dessous ou ne vous approchez pas de cet appareil.
- Ne remplissez jamais cylindre au delà de 80 pour cent de plein.
- SI L'INFORMATION DANS "A" ET "B" N'EST PAS SUIVIE EXACTEMENT, UN FEU CAUSANT LA MORT OU DES DOMMAGES SÉRIEUX PEUT SE PRODUIRE.

Fig. 8-1 type coupleur de fil de point culminant d'I



SAFE USE & MAINTENANCE OF PROPANE GAS CYLINDERS

IMPORTANT FOR YOUR SAFETY

READ AND FOLLOW ALL WARNINGS PROVIDED WITH THE PROPANE-GAS CYLINDER.

When operating this appliance with a propane-gas cylinder, these instructions and warnings **MUST** be observed.

FAILURE TO DO SO MAY RESULT IN A SERIOUS FIRE OR EXPLOSION.

CYLINDER/CONNECTOR REQUIREMENTS

- Propane-gas cylinders, valves, and hoses must be maintained in good condition and inspected before each use of appliance. They must be replaced if there is any visible damage. If hose is cut or shows excessive abrasion or wear, it must be replaced before using appliance (see e.).
- This unit, when used with a cylinder, should be connected to a standard 5-gallon (20 lb.) propane-gas cylinder equipped with a listed overfilling prevention device. The device has been required on all cylinders sold since October 1, 1998, to prevent overfilling.
- Cylinder dimensions should be approximately 12" (30.5 cm) in diameter and 18" (45.7 cm) high. Cylinders must be constructed and marked in accordance with the U.S. Department of Transportation (D.O.T.) *Specifications for LP-Gas Cylinders*, or the Standard for *Cylinders, Spheres, and Tubes for Transportation of Dangerous Goods and Commission*, CAN/CSA-B339, as applicable.
- The cylinder used must include a collar to protect the cylinder valve, and the cylinder supply system must be arranged for vapor withdrawal.
- The pressure regulator and hose assembly (Fig. 9-1) supplied with this outdoor gas appliance (L.P. models only) must be used. Original and replacement pressure regulator and hose assemblies must be those specified by the manufacturer for connection with a cylinder connecting device identified as Type I by the *ANSI Z 21.58/CGA 1.6* (see PARTS LIST for ordering information).
- The propane-gas cylinder valve must be equipped with a cylinder connection device, described as Type I in the standard defined in paragraph e. above. This device is commonly described as an Acme thread coupler.
- If the propane-gas cylinder comes with a dust plug, place the dust cap on the cylinder valve outlet whenever the cylinder is not in use.

COUPLER OPERATION

To connect the regulator/hose assembly to the propane-gas cylinder valve fitting: Press the hand nut on the regulator over the Acme thread fitting on the cylinder valve. Turn the hand nut clockwise to engage the threads and tighten until snug.

The use of pliers or a wrench should not be necessary. Only cylinders marked "propane" may be used.

To disconnect: Turn the hand nut counterclockwise until detached (Fig. 9-1).

Important: Before using the unit, and after each time the cylinder is removed and reattached, check the hose for wear (see a.) and check all connections for leaks. Turn off the unit valves and open the main cylinder valve, then check connections with soapy water. Repair any leaks before lighting the unit.

CAUTION: Always turn the propane cylinder main valve off after each use, and before moving the unit and cylinder or disconnecting the coupling. This valve must remain closed and the cylinder disconnected while the appliance is not in use, even though the gas flow is stopped by a safety feature when the coupler is disconnected.

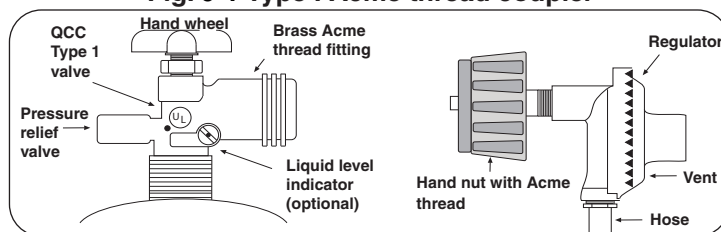
Carefully inspect the hose assembly each time before the gas is turned on. A cracked or frayed hose must be replaced immediately.

If the appliance is stored indoors, the cylinder must be disconnected and removed. Disconnected cylinders must be stored outdoors, out of the reach of children, with threaded valve plugs tightly installed, and must not be stored in a building, garage, or any other enclosed area.

FOR YOUR SAFETY

- DO NOT store a spare propane-gas cylinder under or near this appliance.
- NEVER fill the cylinder beyond 80-percent full.
- IF THE INFORMATION IN a. AND b. IS NOT FOLLOWED EXACTLY, A FIRE CAUSING DEATH OR SERIOUS INJURY MAY OCCUR.

Fig. 9-1 Type I Acme thread coupler



GAS SAFETY INFORMATION

WHEN OPERATING THIS GAS APPLIANCE, ALL INSTRUCTIONS AND WARNINGS MUST BE OBSERVED. FAILURE TO DO SO MAY RESULT IN A FIRE OR EXPLOSION CAUSING PROPERTY DAMAGE, BODILY INJURY, OR DEATH.

WARNING

This appliance **MUST** be installed and operated according to the information found in this manual.

If applicable, the propane cylinder enclosure **MUST** be constructed and vented in accordance with local building and safety codes and should be approved by local code enforcement officials.

FAILURE TO PROPERLY VENT THE CYLINDER ENCLOSURE AND/OR UNIT MAY RESULT IN A FIRE OR EXPLOSION CAUSING PROPERTY DAMAGE, BODILY INJURY, OR DEATH.

A leaking gas connection or valve unintentionally left open will create a hazard.

WHEN USING PROPANE GAS

- **Propane gas** (also known as **L.P. gas**) is heavier than air and will accumulate or pool in an inadequately vented enclosure or recessed area.
- If a pool of **propane gas** is ignited, an explosion will occur. Adequate venting at the floor level, or the lowest point where gas could accumulate, eliminates this danger.
For propane cylinder enclosures, refer to the **PROPANE CYLINDER ENCLOSURE REQUIREMENTS** section. Observe all local codes.
- DO NOT store a spare propane-gas cylinder in or near the cylinder enclosure or the unit.

WHEN USING NATURAL GAS

- **Natural gas** is lighter than air and will accumulate at the top of an inadequately vented enclosure.
- If an accumulation of **natural gas** is ignited, an explosion will occur. Adequate venting at the top of the unit eliminates this danger.

INSTALLATION SAFETY GUIDELINES

THIS UNIT MUST BE INSTALLED SO THAT THE VENT OPENINGS AND SURROUNDING AREA OF THE CYLINDER ENCLOSURE AND/OR UNIT REMAIN CLEAR AND FREE AT ALL TIMES. For propane cylinder enclosures, refer to the **PROPANE CYLINDER ENCLOSURE REQUIREMENTS** section for details.

CAUTION: FOR YOUR SAFETY, FOR PROPANE CYLINDER ENCLOSURES: you must provide openings in the enclosure for replacement air and ventilation (in case of possible leakage from the cylinder). **Failure to do so may result in a fire or explosion causing property damage, bodily injury, or death.** See the **PROPANE CYLINDER ENCLOSURE REQUIREMENTS** section for details.

The gas cylinder, regulator, and rubber hose must be in a location not subject to temperatures above 125° F (51° C).

IF A PROPANE CYLINDER IS INSTALLED: THE GUIDELINES FOUND IN THE **SAFE USE & MAINTENANCE OF PROPANE GAS CYLINDERS SECTION - AND IF APPLICABLE THE **PROPANE CYLINDER ENCLOSURE REQUIREMENTS** SECTION - MUST BE FOLLOWED.**

OPERATION SAFETY GUIDELINES

Every time you use the unit, **make sure that:**

1. The area around the cylinder enclosure and/or unit is clear and free from combustible materials, gasoline and flammable vapors/liquids.
2. The required vent openings and surrounding area of the enclosure and/or unit are clear and free at all times.
3. The hose is inspected (if applicable). See **SAFE USE & MAINTENANCE OF PROPANE-GAS CYLINDERS** section.

DO NOT store any combustible materials, gasoline, and any other flammable vapors/liquids in the vicinity of the enclosure and/or unit. Provide adequate clearance for servicing and operation.

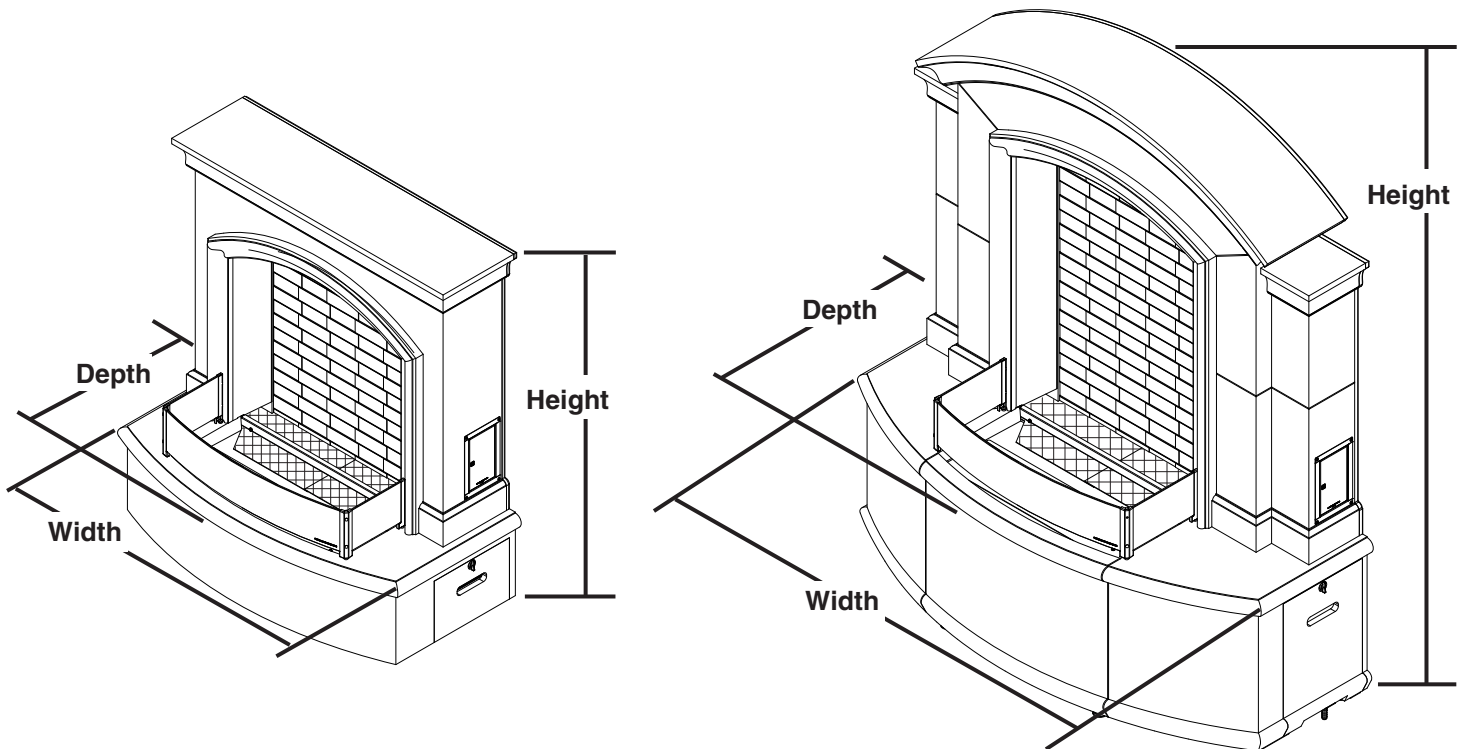
ELECTRICAL SAFETY INFORMATION

- To protect against electric shock, do not immerse cord or plugs in water or other liquid.
- Unplug from the outlet when not in use and before cleaning. Allow to cool before putting on or taking off parts.
- Do not operate any outdoor gas appliance with a damaged cord, plug, or after the appliance malfunctions or has been damaged in any manner. Contact the manufacturer for repair.
- Do not let the cord touch hot surfaces.
- Do not use an outdoor gas appliance for purposes other than intended.
- When connecting, first make wire connections then plug appliance into the outlet.
- **Use only a properly wired and inspected 120VAC (15 AMP minimum) Ground Fault Circuit Interrupter (GFCI) GROUNDED 3-wire receptacle with this outdoor gas appliance.**
- The GFCI receptacle must be a WEATHER-PROOF IN-USE COVERED RECEPTACLE.
- Never remove the grounding plug or use with an adapter of 2 prongs.
- Use only extension cords with a 3 prong grounding plug, rated for the power of the equipment, and approved for outdoor use with a W-A marking.
- **The provisions of the National Electric Code as well as any local codes must be observed when installing the product.**

SPECIFICATIONS AND DIMENSIONS

Style	BTUs		Dimensions	Weight / Pieces
	Nat.	L.P.		
Small Firefall (690)	35,000	35,000	47 1/2" w x 25 3/4" d x 51 1/2" h	500 lbs / 4 pcs
Large Firefall (695)	45,000	45,000	65" w x 27 3/4" d x 73" h	800 lbs / 4 pcs

Table 1 - Product Specifications



SPECIFICATIONS AND DIMENSIONS (cont.)

Only the American Fyre Designs glass media options listed below are approved for use with this product. Follow the recommendations for media amounts. All glass media options are purchased separately; contact your local American Fyre Designs dealer when ordering.

PRIMARY MEDIA OPTIONS (required)

The glass media is required for safe operation and proper performance. Place first.

Style	Recommended Amount of Glass / Gems
Small Firefall (690) Large Firefall (695)	50 lbs

Table 2 - Glass Recommendations

SECONDARY MEDIA OPTIONS (optional)

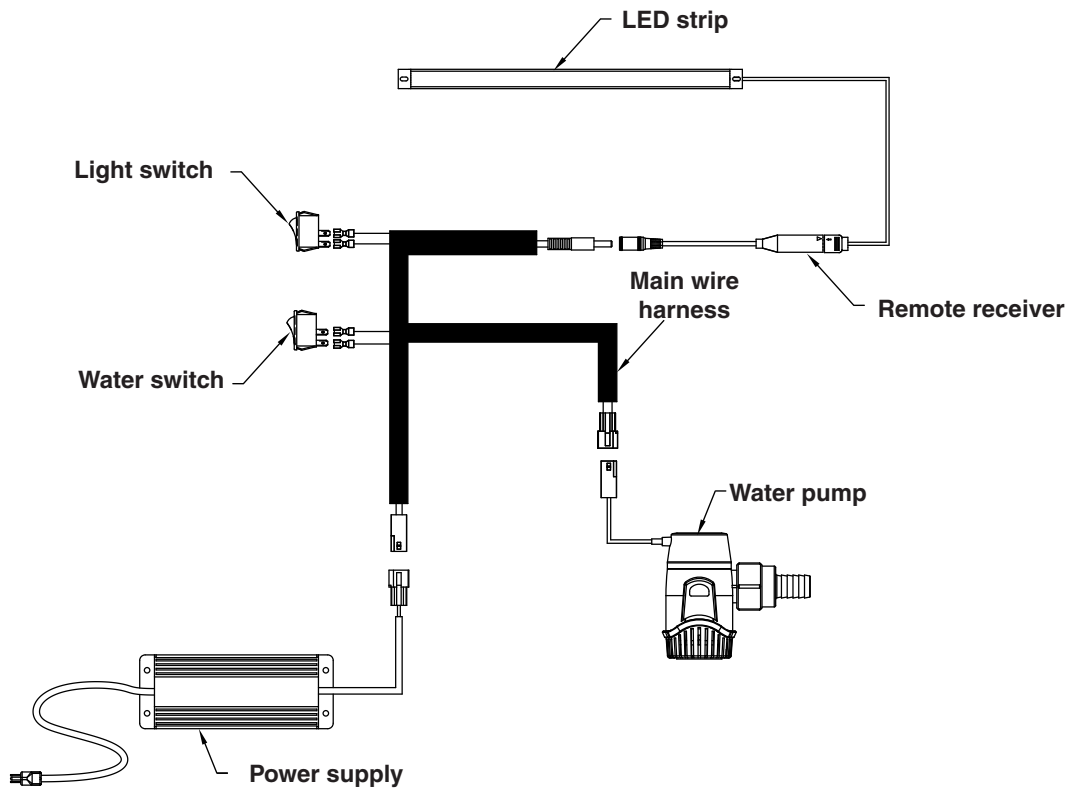
Secondary options such as glass nuggets (purchased separately) may also be placed on top of the glass media.

SPECIFICATIONS AND DIMENSIONS (cont.)

Specification	Value	Qty.
Input electrical requirements	120VAC / 15 AMP minimum / 60 Hz / GFCI outlet	N/A
Power supply rating	12V / 60 watts	N/A
Remote transmitter battery type	3V/CR2025	1

Table 3 - Technical Data

WIRING DIAGRAM



The unit's marking label plate is located within the door side of the hearth. It hangs from a chain on the valve assembly. Ensure the plate is located inside of the hearth during installation. To view: open the storage door, reach in to access the plate, then return once done and close the door.

PROPANE CYLINDER ENCLOSURE REQUIREMENTS (IF APPLICABLE)

If a propane cylinder is being used as the gas source, and the firefall does not accommodate a cylinder, a separate propane cylinder enclosure is required. See the following information.

American Fyre Designs tank/end tables are available. They meet all propane cylinder enclosure and ventilation requirements. Contact your local dealer. For requirements regarding custom-built cylinder enclosures, see below.

To ensure proper operation and safety the propane cylinder enclosure **MUST** comply with the following:

- Proper construction - see PROPANE CYLINDER ENCLOSURE PARAMETERS section.
- Proper ventilation and drainage - see PROPANE CYLINDER ENCLOSURE VENTILATION AND DRAINAGE section.
- Proper clearances from combustibles - see MINIMUM CLEARANCES section.

You **MUST** read and follow these sections for complete propane cylinder enclosure requirement details.

PROPANE CYLINDER ENCLOSURE PARAMETERS

The cylinder enclosure can be constructed according to your individual preference, while following all guidelines found in this manual. **The enclosure MUST (see Fig. 14-1):**

- be installed in a safe location and on a hard and level surface
- be constructed of non-combustible materials
- be properly vented, and provide for water drainage (see PROPANE CYLINDER ENCLOSURE VENTILATION AND DRAINAGE section)
- have minimum dimensions as illustrated in Fig. 14-1
- use an L.P. regulator hose assembly (not included) to connect the unit to the propane cylinder:
 - Single stage: maximum BTU capacity 95k (M Models) / 2 stage: maximum BTU capacity 150k (F Models)
 - above ground
 - maximum 10 feet in length
 - propane extension hoses are available from American Fyre Design. Contact your local dealer for ordering information.
- provide a 1" x 1" minimum cutout for the hose assembly
- be constructed so that the cylinder is properly secured, and sits at least 2" above the floor (use mechanical means to secure the cylinder to prevent it from tipping over - see below for an example)

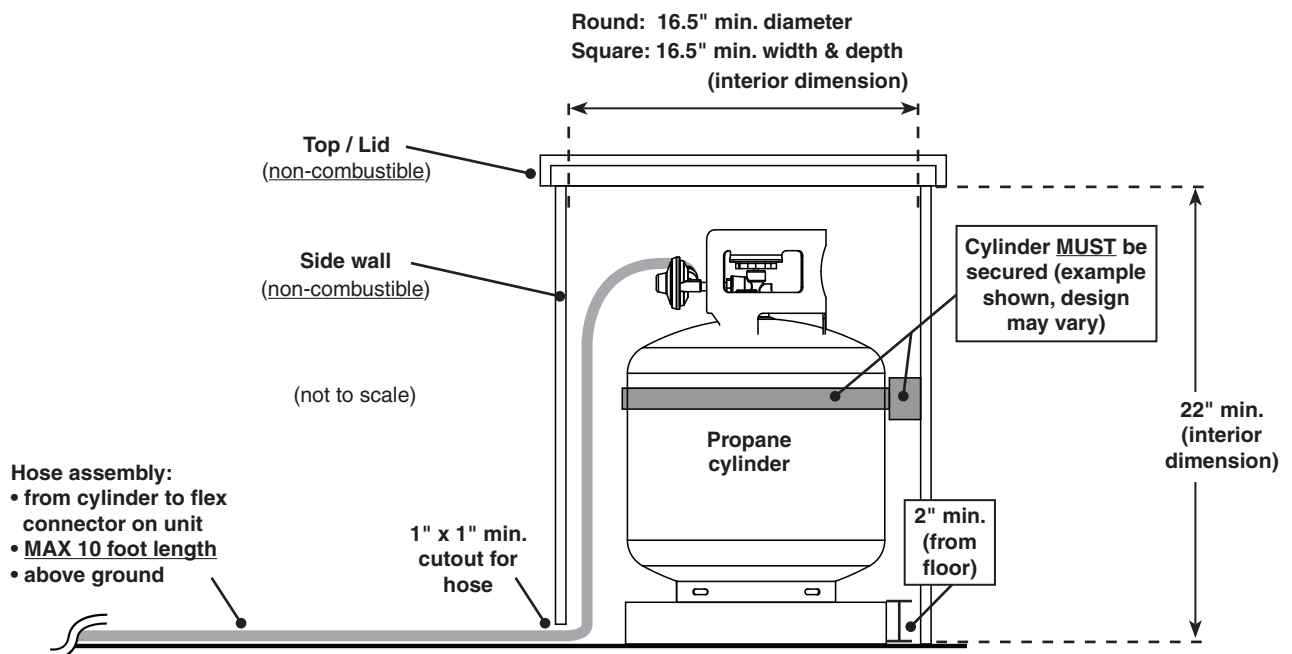


Fig. 14-1 Propane cylinder enclosure specifications (side view)

PROPANE CYLINDER ENCLOSURE REQUIREMENTS (IF APPLICABLE) (cont.)

PROPANE CYLINDER ENCLOSURE VENTILATION AND DRAINAGE

FOR YOUR SAFETY, you must provide the openings listed below for replacement air and ventilation of the enclosure (in case of possible leakage from gas connections or propane cylinders). Failure to do so may result in a fire or explosion causing property damage, bodily injury, or death. The openings also allow for water drainage.

Ventilation

One side of the enclosure shall be left completely open to the outside; OR 4 (minimum) ventilation openings MUST be created (reference Fig. 15-1 and Fig. 15-2):

- Each opening must have a minimum of 10 sq. in. of free area. The openings must be equally sized. (Total of 40 sq. in. free area.)
- Two openings must be in the side walls of the enclosure, at the top level, and spaced at a minimum of 90 degrees. The openings must begin 1" or less below the top level and end no more than 5" below the top level.
- Two openings must be in the side walls of the enclosure, at the floor level, and spaced at a minimum of 90 degrees. The openings must begin 1" or less above the floor level and end no more than 5" above floor level.
- The openings must remain unobstructed:

The clearance between the openings and any items outside of the enclosure is a minimum of 6". The clearance between the openings and cylinder within the enclosure is a minimum of 2". See Fig. 15-2.

It is acceptable to use RHP venting panels (PN 5510-01). Contact your dealer.

Water Drainage

Two additional openings (1" x 4") must be created at the floor level (and spaced at 180 degrees) to allow for water drainage. The openings must be equally sized and unobstructed. See Fig. 15-2.

KEEP THE REQUIRED VENT OPENINGS, DRAIN OPENINGS, AND SURROUNDING AREA OF THE ENCLOSURE CLEAR AND FREE AT ALL TIMES.

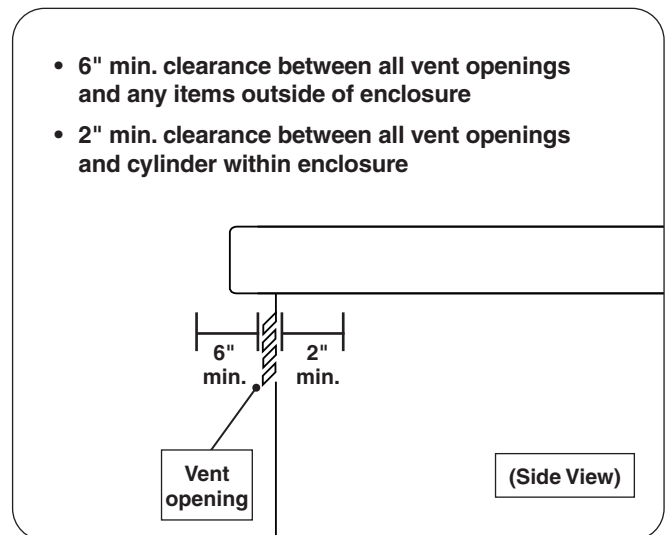


Fig. 15-1 Vent openings clearance

Ventilation Requirements:

- Minimum 4 openings (2 per side wall - spaced at min. 90 degrees)
- Top openings: within 5" of top
- Bottom openings: within 5" of floor
- Each vent opening: min. 10 sq. in. of free area (Total = 40 sq. in. free area)

Drainage Requirements:

- Minimum 2 openings (1 per side wall - spaced at 180 degrees)
- At floor level, 1" x 4"

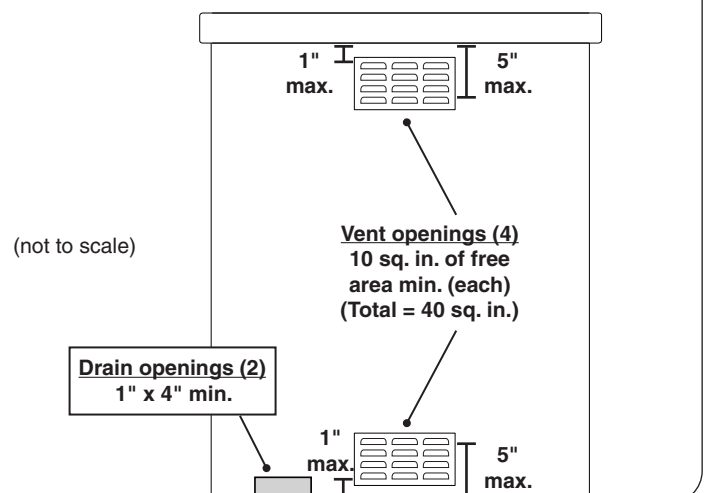


Fig. 15-2 Ventilation and drainage specifications (propane cylinder enclosure side view)

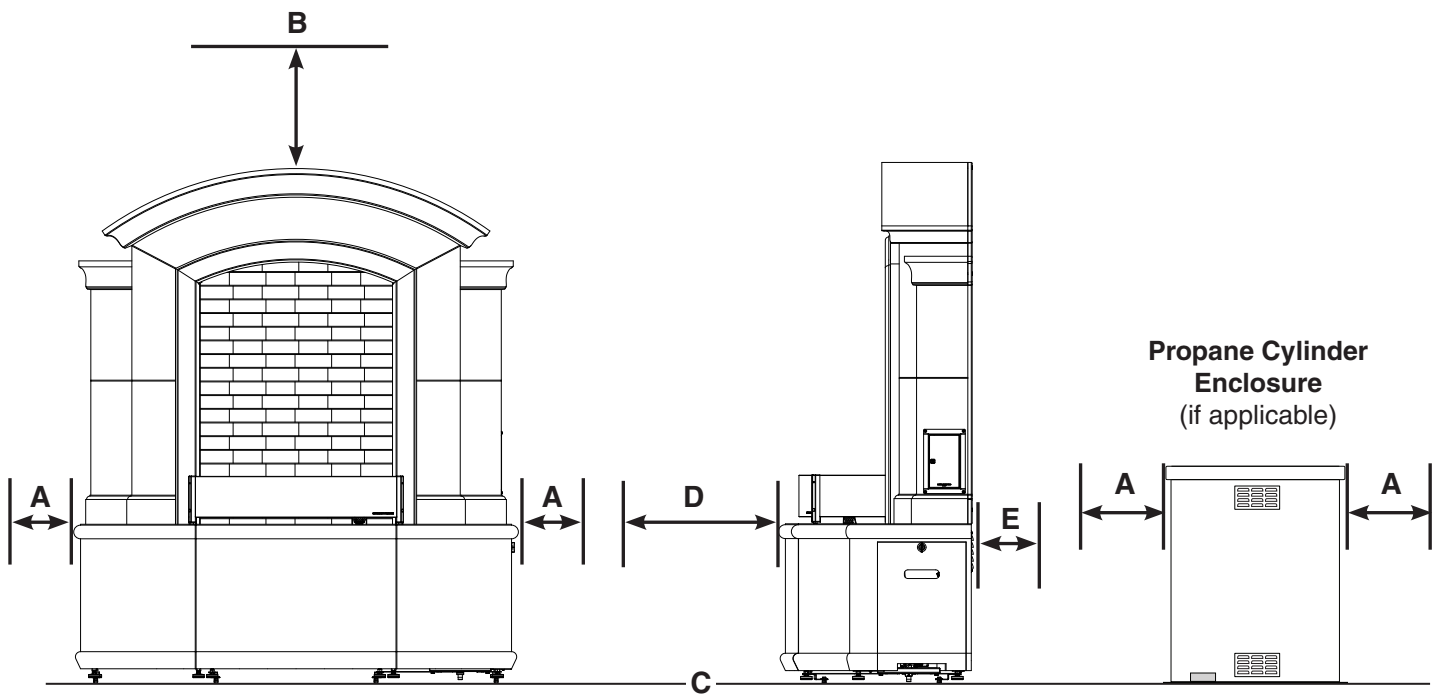
MINIMUM CLEARANCES

The dimensions shown below are **MINIMUM CLEARANCES** to maintain when you install the unit.

ALL CLEARANCES AND INFORMATION STATED HERE MUST BE MAINTAINED AND FOLLOWED.

Description	Dimension	
	Firefall unit	Propane Cylinder Enclosure (if applicable)
A. Side clearance (from hearth extension/edge to combustible construction)	6"	6"
B. Clearance above unit	Not permitted	0"
C. Clearance below unit	0"	0"
D. Front clearance (from hearth extension to combustible construction)	36"	N/A
E. Rear clearance	6"	N/A

Table 4 - Minimum Clearances



Floor must be a hard, level surface. Combustible materials permitted.

TOOLS REQUIRED

The following are the minimum tools required for the installation of your unit. Additional tools may be required for your individual installation.

- 2 (or more) assemblers recommended
- appropriate tools for gas supply, water supply, and electrical install
- Phillips screwdriver
- cordless drill
- drill bits and drivers
- small flat-head screwdriver
- 3/4", 7/16", 1/2", 9/16", & 10mm open-end wrenches (or equivalent)
- 5/16" nut driver

PARTS LIST

- In addition to the appropriate Common Replacement Parts List, reference the Identification Parts List that includes your model.
- Glass media is purchased and packaged separately. Various styles are available.
- Your unit is packaged onto 1 pallet.
- Glass media and replacement parts can be ordered from your local American Fyre Designs dealer.
- Select models are illustrated (your model may vary)

IMPORTANT
Remove all packing material (including any protective coatings) and discard prior to use.



COMMON REPLACEMENT PARTS LIST - FIREFALL M5 MANUAL FLAME SENSING CONTROL MODELS

Item	Description	Part No.	Qty.
1.	24" linear straight burner, only	OBL-24	1
2.	Rectangular burner plate *	OBPR-28-M	1
or	Rectangular burner plate †	OBPR-28-EC	1
3.	Orifice (Nat.) *	14226-32	1
or	Orifice (L.P.) *	14225-49	1
or	Orifice (Nat.) †	14226-30	1
or	Orifice (L.P.) †	14225-46	1
4.	Control valve w/ knob	AV-38	1
5.	Control knob (only)	KNOB-7	1
6.	Control box housing (only)	693-301-M	1
7.	Pressure regulator ‡	PR-4	1
8.	Flex connector ‡	3036	1
or	L.P.regulator and hose assembly (695 L.P. models only)	5110-27	1
9.	Thermocouple	SV-30-1	1
10.	Thermocouple screen	THS-1	1
11.	Power supply	693-701	1
12.	Water pump	693-202	1

Item	Description	Part No.	Qty.
13.	Remote kit (transmitter and receiver)	690-702	1
14.	LED assembly	690-703	1
15.	Pipe assembly ▲	690-201	1
16.	Water screen (left and right set)	693-204	1
17.	Float valve	693-203	1
18.	Water filter	690-205	1
19.	Switch	SW-11	2
20.	Main wire harness •	690-704	1
21.	Wind guard * •	8205-WG	1
or	Wind guard † •	8206-WG	1
22.	Pump catch net •	690-206	1

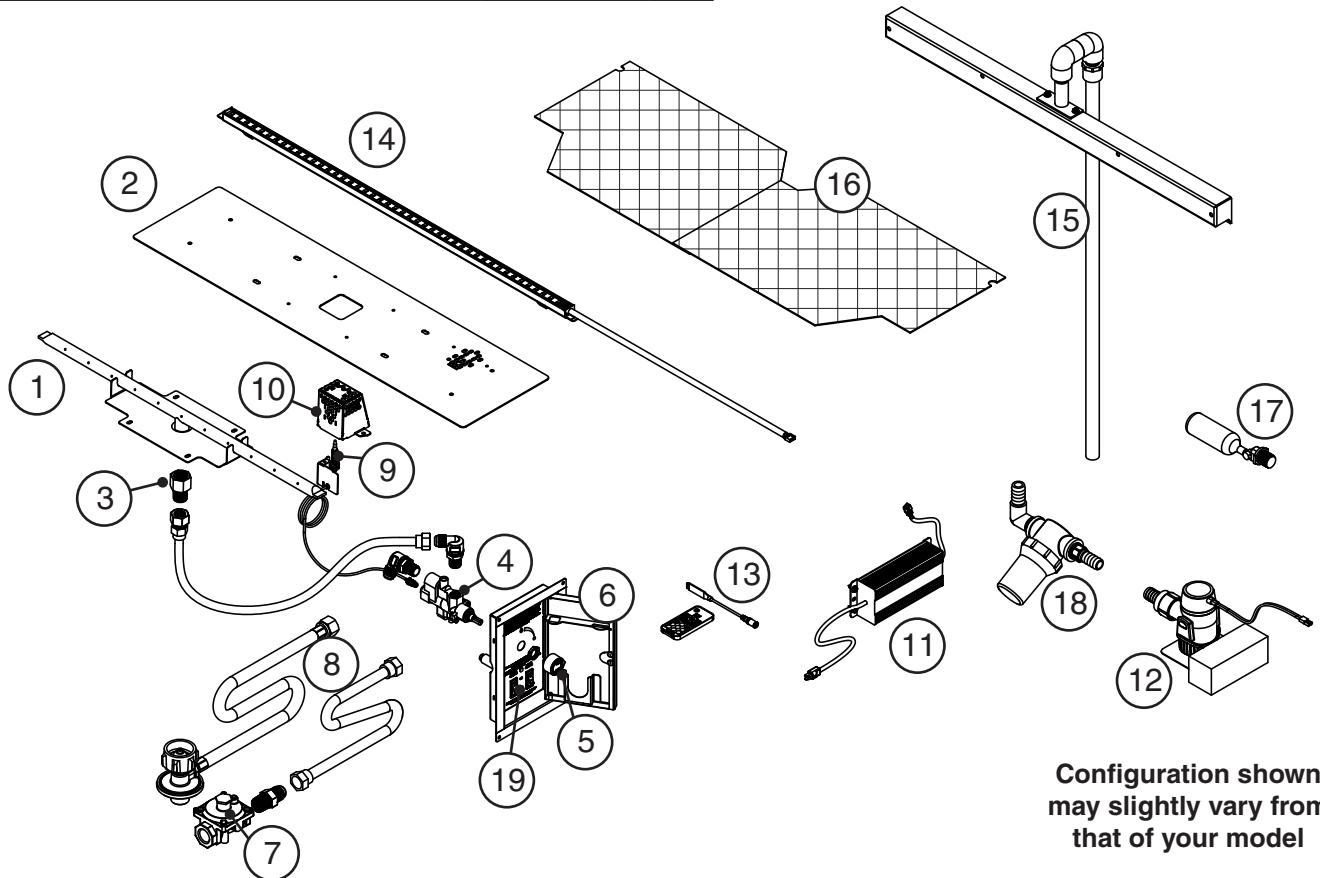
* 690 models

† 695 models

‡ 690 models: always equipped. 695 models: Nat. only.

▲ for pipe assembly fully assembled to rear wall, contact your dealer and provide your model number to order

• not shown



Configuration shown may slightly vary from that of your model

PARTS LIST (cont.)

Item	Description	Qty.
1.	Hearth piece	1
2.	Top piece	1
3.	Inner rear panel piece	1
4.	Water hose (3/4" I.D., 1" O.D. x 12" length)	1
5.	Outer rear panel piece	1
6.	Storage door	1
7.	Wind guard	1
8.	Hardware kit, large * †	2
9.	Hardware kit, small * ‡	4
10.	Concrete Phillips screw, 1/4" x 1 3/4" *	4
11.	Hose clamp *	1

* not shown

† each kit contains: (1) 1/2"-13 x 3.5" bolt, (1) nut, (2) washers

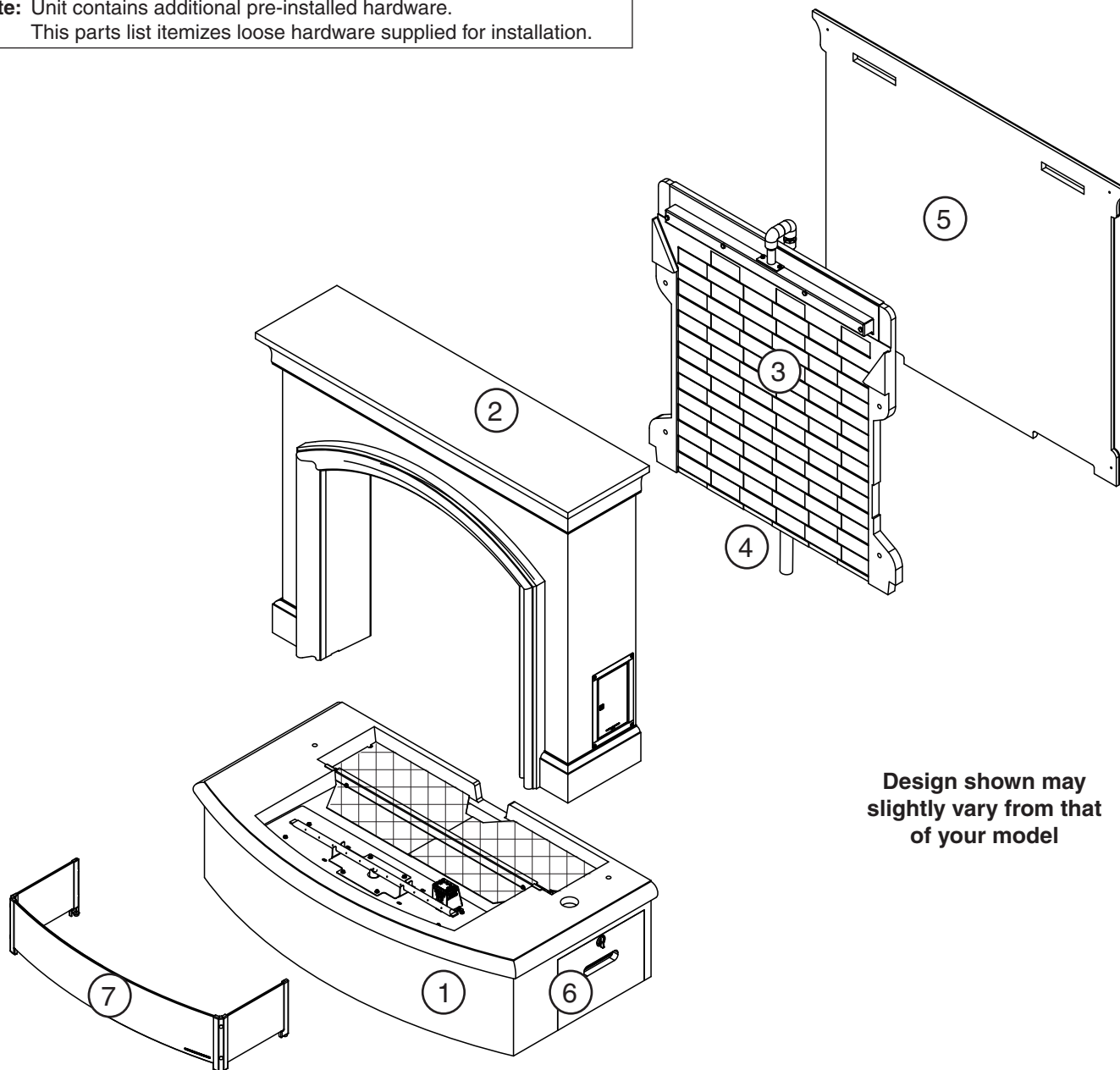
‡ each kit contains: (1) 5/16"-18 x 3.5" bolt, (1) nut, (2) washers

Note: Unit contains additional pre-installed hardware.

This parts list itemizes loose hardware supplied for installation.

IDENTIFICATION PARTS LIST

690



Design shown may slightly vary from that of your model

PARTS LIST (cont.)

Item	Description	Qty.
1.	Hearth piece	1
2.	Top piece	1
3.	Inner rear panel piece	1
4.	Water hose (3/4" I.D., 1" O.D. x 23" length)	1
5.	Outer rear panel piece	1
6.	Storage door	1
7.	Wind guard	1
8.	Hardware kit, large * †	4
9.	Hardware kit, small * ‡	4
10.	Concrete Phillips screw, 1/4" x 1 3/4" *	5
11.	Hose clamp *	1

* not shown

† each kit contains: (1) 1/2"-13 x 3.5" bolt, (1) nut, (2) washers

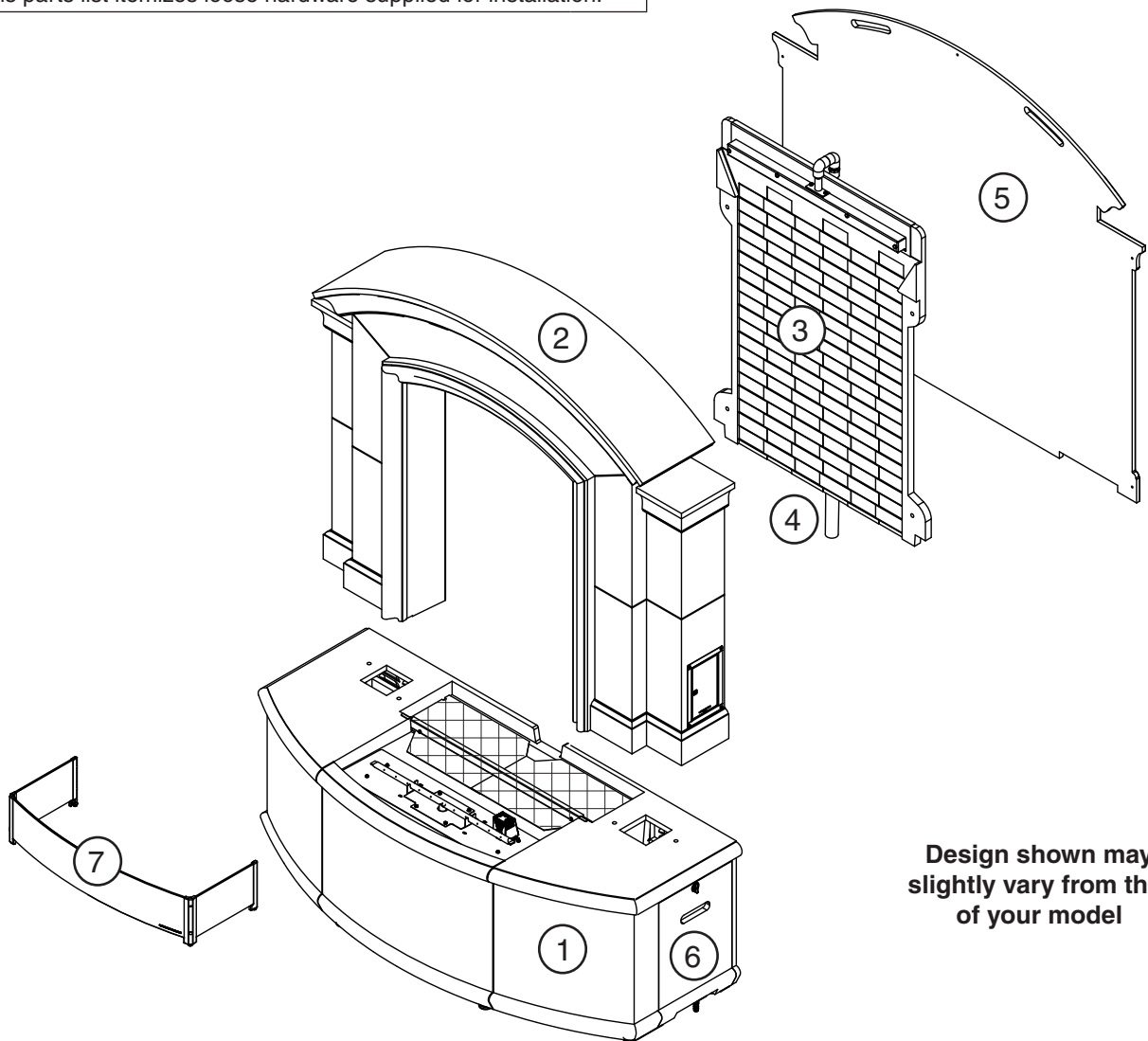
‡ each kit contains: (1) 5/16"-18 x 3.5" bolt, (1) nut, (2) washers

Note: Unit contains additional pre-installed hardware.

This parts list itemizes loose hardware supplied for installation.

IDENTIFICATION PARTS LIST

695



Design shown may slightly vary from that of your model

IMPORTANT SAFETY INFORMATION

BE CAREFUL

If not installed and used correctly per these instructions, this product can cause serious injury.

CAUTION: Installation and maintenance must be done by an NFI Certified or other qualified professional service technician. Read these instructions before installing this unit. Be sure you understand all safety precautions and warnings contained in this manual.

A. FOR OUTDOOR USE ONLY.

B. When shutting the unit down—be sure to **TURN THE CONTROL VALVE FULLY OFF.**

C. WARNING: CARBON MONOXIDE POISONING MAY LEAD TO DEATH. DO NOT MODIFY THIS UNIT OR ITS CONTROLS, EXCEPT AS PROVIDED FOR IN THIS MANUAL. Any other change may be dangerous. Improper installation or use of the unit can cause serious injury or death from fire, burns, explosions, or carbon monoxide poisoning.

D. Check state and local codes to determine if the unit is permitted in your locality before installation.

E. Select models allow for an adjustable flame height. **THESE SETTINGS MUST ALWAYS BE HIGH ENOUGH FOR THE FLAME TO BE CLEARLY VISIBLE. WHEN LIGHTING THE UNIT, ALWAYS LIGHT ON HIGH.**

FIREFALL INSTALLATION

BEFORE YOU BEGIN

Important: Prior to installation ensure that all specifications, dimensions, propane cylinder enclosure requirements (if applicable), and minimum clearances stated in this manual are observed. You must read all warnings and safety information, and understand all of the information in this manual. **All installation requirements must be observed and met.**

WARNING: Failure to position the parts in accordance with these diagrams or failure to use only parts specifically approved with this unit may result in property damage or personal injury.

- Confirm the installation site accommodates the unit per the requirements in this manual.
- Be sure the gas supply (propane or natural) is turned off at its source.
- **Wear gloves and use extreme caution** whenever installing and handling this product and its accessories as certain components have sharp edges that can cause personal injury.
- Remove all packing material (including any protective coatings) and discard prior to installation.

LOCATION

While following all requirements and safety information in this manual (see MINIMUM CLEARANCES section), determine and prepare the location of the unit (a hard and level surface).

Note: For firefalls, a combustible surface is permitted.

Important: The gas supply, water supply, and electrical setup must be considered when determining the location of the unit. See the **GAS SUPPLY SETUP, WATER SUPPLY SETUP, and ELECTRICAL SETUP** sections for details (as applicable).

ASSEMBLY REQUIRES TWO OR MORE PEOPLE.

EXERCISE EXTREME CARE DURING ASSEMBLY AND INSTALLATION.

FIREFALL INSTALLATION (cont.)

FIREFALL ASSEMBLY - OVERVIEW

CAUTION: Firefall components are heavy. **CAREFULLY** handle all components during assembly.

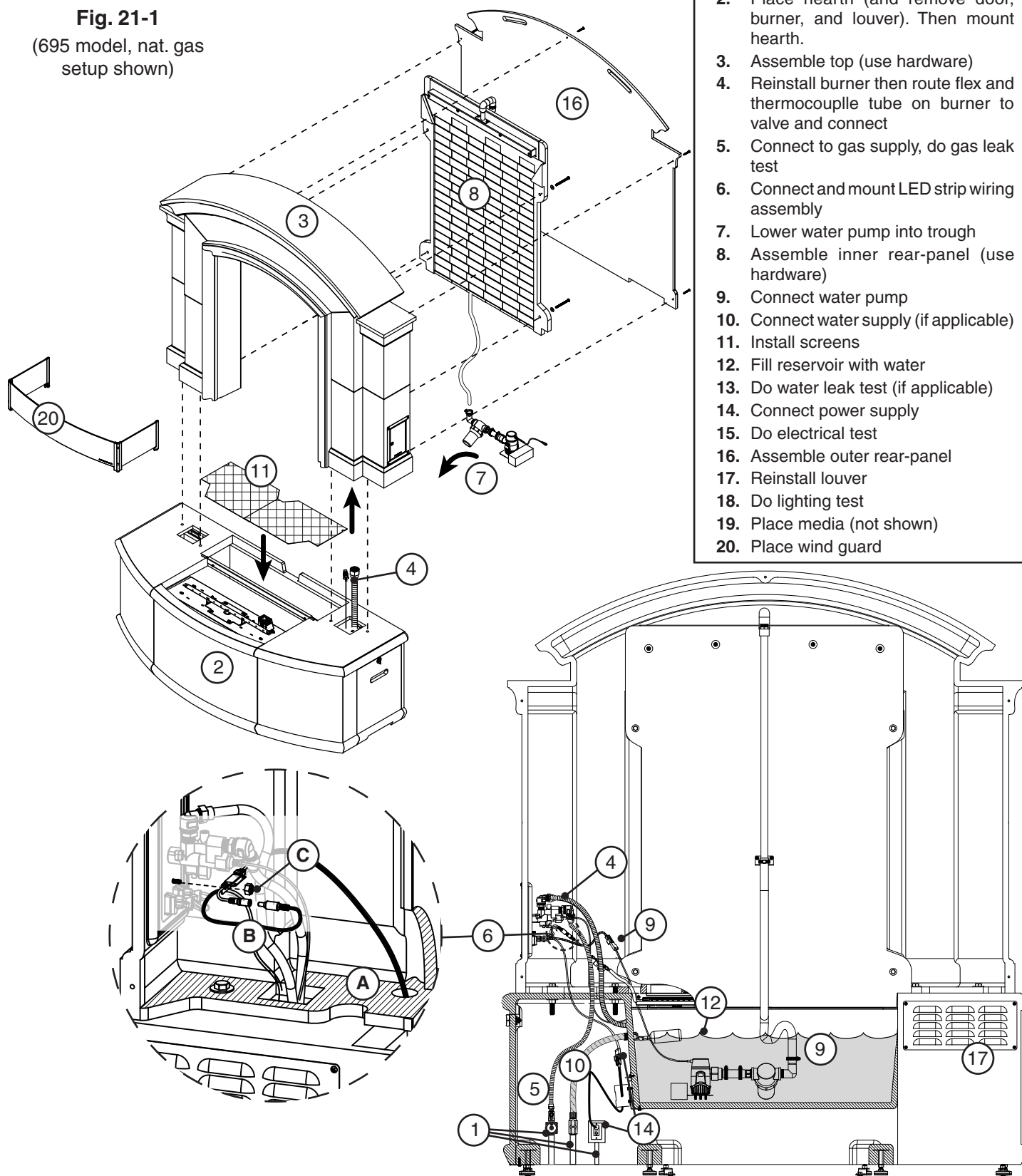
- Fig. 21-1 provides an overall orientation and assembly detail for the large firefall. Small firefall models assemble in a similar manner.
- **This section is just an overview, refer to the following step-by-step section for complete assembly and installation details.**

Fig. 21-1

(695 model, nat. gas setup shown)

ASSEMBLY / INSTALL OVERVIEW

1. Route gas, water, & electrical to hearth area
2. Place hearth (and remove door, burner, and louver). Then mount hearth.
3. Assemble top (use hardware)
4. Reinstall burner then route flex and thermocouple tube on burner to valve and connect
5. Connect to gas supply, do gas leak test
6. Connect and mount LED strip wiring assembly
7. Lower water pump into trough
8. Assemble inner rear-panel (use hardware)
9. Connect water pump
10. Connect water supply (if applicable)
11. Install screens
12. Fill reservoir with water
13. Do water leak test (if applicable)
14. Connect power supply
15. Do electrical test
16. Assemble outer rear-panel
17. Reinstall louver
18. Do lighting test
19. Place media (not shown)
20. Place wind guard



FIREFALL INSTALLATION (cont.)

GAS SUPPLY SETUP (if applicable)

For Natural or Household Propane Gas Supply:

The unit's valve is located on the door side of the unit. The gas supply is to be brought up from beneath the hearth or directly behind it. Your individual installation may vary. **Observe the National Fuel Gas Code and all local codes, and leak test at all connections.**

1. Ensure the gas supply is properly routed into the area that the unit will rest over (see Fig. 22-1, A).

690 models: route behind the hearth.

695 models: route below/inside the hearth.

The gas supply or another flex can also be routed through the side of the unit (through a ventilation opening at the floor).

Important: Locate the gas supply line out of pathways where people may trip over it or in areas where the line may be subject to accidental damage (if applicable).

Note: A shut-off valve (not included) in the gas line is required. It must be installed within 6 feet of the unit and must be easily accessible. Use a pipe joint compound resistant to all gasses on all NPT fittings except flare fittings.

WATER SUPPLY SETUP (if applicable)

A water supply can be plumbed to the unit. The water fitting is located on the door side of the unit. The water supply is to be brought up from beneath the hearth or directly behind it. The unit's water fitting ($3/4$ " GHT) is located in the interior of the unit. Your individual installation may vary. **Observe the National Water and Safety Code and all local codes.**

1. Plumb the water supply into the area that the hearth will rest over (see Fig. 22-1, B).

Note: It is recommended that a water shut-off valve (not included) be attached to the water supply line. It can be installed remotely or at the end of the water supply line. See Fig. 22-1, B for an example.

ELECTRICAL SETUP

A 120VAC (15 AMP minimum) GFCI GROUNDED 3-wire receptacle (not included) is required within the vicinity of the firefall to provide power to the unit. The GFCI receptacle must be a WEATHER-PROOF IN-USE COVERED RECEPTACLE. The unit's power supply cord is located on the door side of the unit. Your individual installation may vary. **Observe the National Electric Code and all local codes.**

1. Wire the receptacle into the area that the hearth will rest over (see Fig 22-2, C).
 - **Verify proper polarity of the receptacle.**
 - **If an extension cord is used, ensure it is a 3-wire GROUNDED cord that is rated for the power of the equipment, and is approved for outdoor use with a W-A marking. DO NOT use 2-prong adapters.**
 - **DO NOT TAMPER WITH THE EXTENSION CORD OR THE UNIT POWER-SUPPLY CORD.**

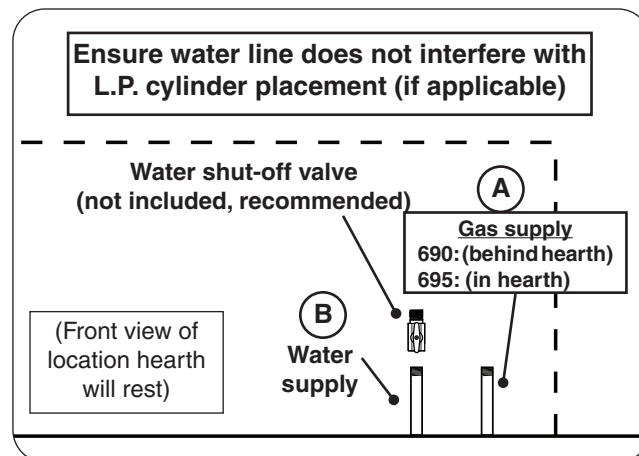


Fig. 22-1 Route gas and water supply

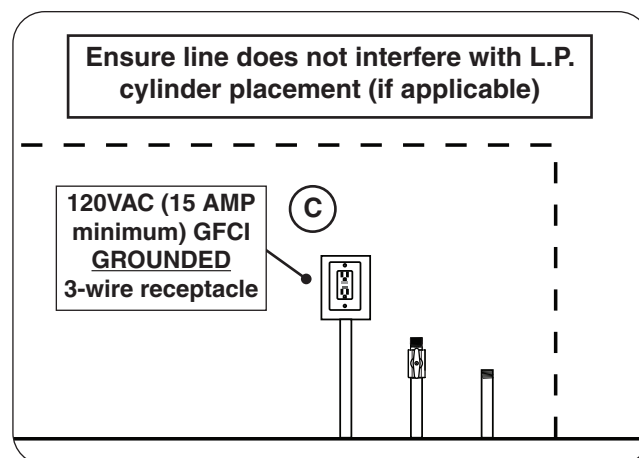


Fig. 22-2 Route electrical (receptacle)

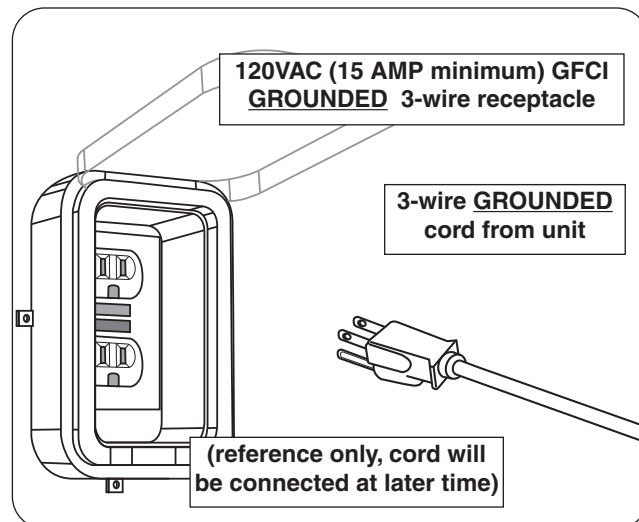


Fig. 22-3 Electrical setup detail

Installation continued on next page

CONSTRUCT L.P. CYLINDER ENCLOSURE (if applicable)

If a propane cylinder is being used as the gas source, and the firefall does not accommodate a cylinder, a separate propane cylinder enclosure is required. American Fyre Designs tank/end tables are available. They meet all propane cylinder enclosure and ventilation requirements. Contact your local dealer.

Alternatively, a custom-built cylinder enclosure can be constructed. Construct the enclosure according to your individual install preference, while following the guidelines found in the PROPANE CYLINDER ENCLOSURE REQUIREMENTS section.

- Construct the enclosure in an appropriate location (refer back to the LOCATION section if needed).
- **Follow all information regarding enclosure parameters, ventilation, drainage, and clearances listed in the PROPANE CYLINDER ENCLOSURE REQUIREMENTS and MINIMUM CLEARANCES sections.** Failure to do so will prevent proper operation and can cause property damage or personal injury.

Installation continued on next page

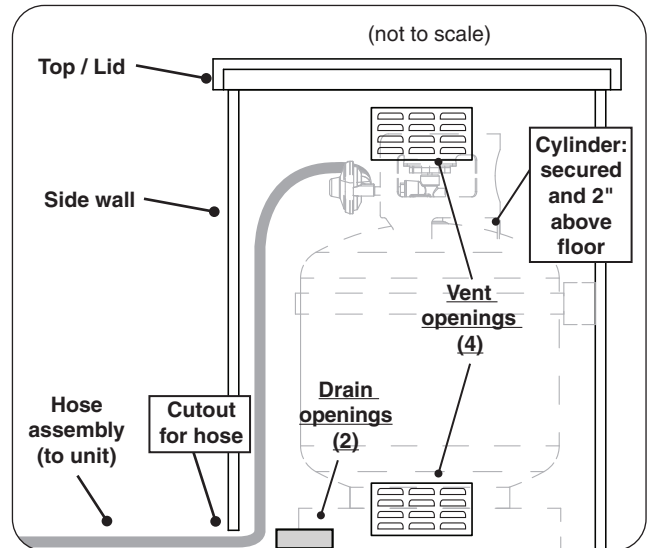


Fig. 23-1 L.P. Cylinder enclosure construction overview (if applicable)

FIREFALL INSTALLATION (cont.)

FIREFALL ASSEMBLY - STEP BY STEP

CAUTION: Firefall components are heavy. **CAREFULLY** handle all components during assembly.

Important: **DO NOT** overtighten (to avoid damage to the unit).

Large Firefall shown for installation. Your model may slightly vary.

Assemble Hearth and Top Piece

1. **Carefully** place the hearth piece in an appropriate location (refer back to the LOCATION section if needed). See Fig. 24-1.
2. Remove louver panel on the left side using a Phillips screwdriver (see Fig. 24-2, A). Store in a safe location.
3. Remove the storage door by first turning the door handle counter-clockwise, then carefully pulling the door outward (see Fig. 24-2, B). Store in a safe location.
4. Use a $\frac{5}{16}$ " nut driver to partially unfasten the four screws found on the burner assembly. Then **carefully** remove the burner and store in a safe location. See Fig. 24-2, C.

Note: **DO NOT** completely remove the screws - to ensure the burner brackets (beneath) remain assembled.

CAUTION: For 695 models the hearth **MUST** be mounted to the installation site floor. Failure to do so can cause property damage, personal injury, and/or damage to the unit.

5. **695 models only:** Secure the hearth to the floor using the 4 pre-installed mounting brackets. Use a $\frac{7}{16}$ " open end wrench and the supplied mounting hardware as appropriate. See Fig. 24-3, A.

Finish by tightening down the brackets. Hold a leveler in place (below bracket) with a $\frac{1}{2}$ " open end wrench, and tighten the nut (above bracket) using a $\frac{9}{16}$ " open end wrench. See Fig. 24-3, B.

Important: **DO NOT** overtighten (to avoid damage to the unit).

6. Place the top piece onto the hearth as shown in Fig. 24-4.

Important: Ensure the electrical and gas connections are clear and undamaged when placing. **DO NOT** pinch the wires.

Installation continued on next page

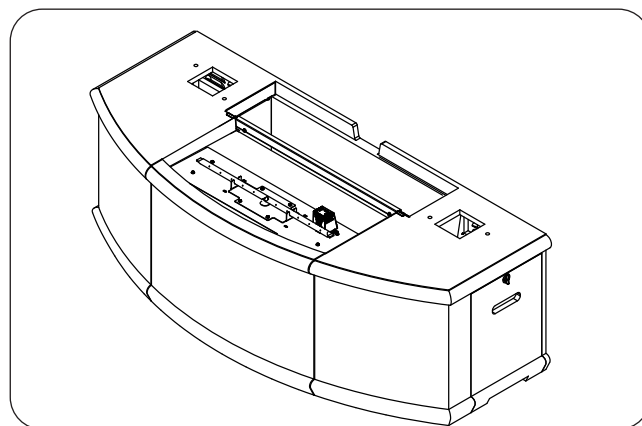


Fig. 24-1 Place hearth

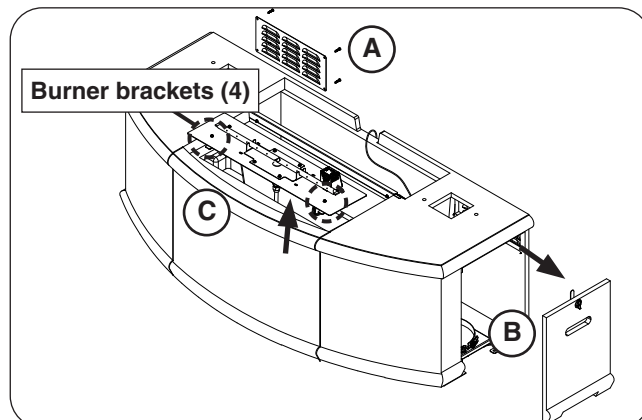


Fig. 24-2 Remove louver panel, door, and burner

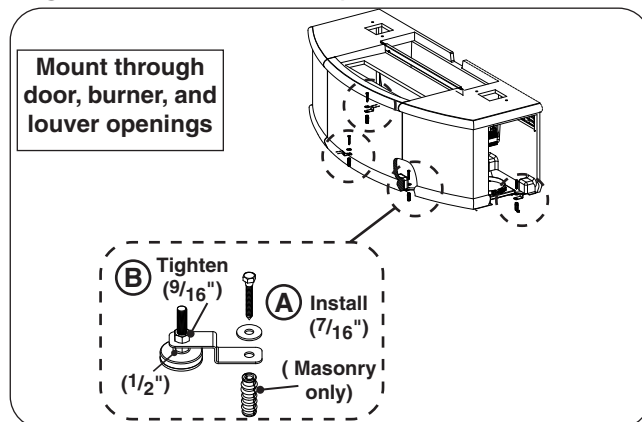


Fig. 24-3 Mount unit to floor (695 models only)

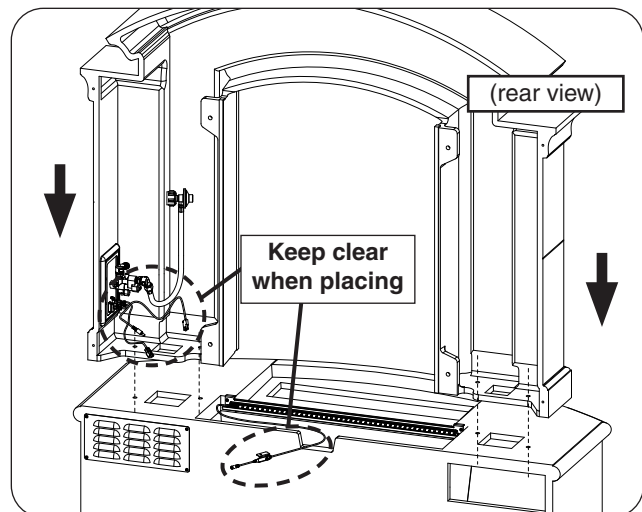


Fig. 24-4 Place top onto hearth

FIREFALL INSTALLATION (cont.)

7. Align the top piece:
 - The rear of the top piece must be $\frac{3}{4}$ " from the rear edge of the hearth (see Fig. 25-1).
 - The interior of the top piece must be flush with the hearth (see Fig. 25-1).
8. Insert the hardware (**large hardware kits**) in the order shown in Fig. 25-2. Hand tighten, then use two $\frac{3}{4}$ " open end wrenches (or equivalent) to fasten.

Note: Use the door opening and the louver opening to gain access for fastening.

Note: Small firefalls use 1 hardware kit per side.
Large firefalls use 2 hardware kits per side.

Reinstall Burner and Connect to Valve

1. Ensure that the four burner brackets are turned inward, then insert the burner assembly (see Fig. 25-3, A-B).

Important: Ensure the thermocouple and gas connections are clear, undamaged, and completely inserted into the opening.

2. Use a $\frac{5}{16}$ " nut driver to fasten the burner to the base (see Fig. 25-4, A).
3. Locate the flex connector coming from beneath the burner assembly and connect it to the valve assembly found on the storage door side of the unit (see Fig. 25-4, B). Tighten securely.
4. Locate the thermocouple tube coming from beneath the burner assembly. **Carefully** route it to the valve assembly (found near the storage door side). Then gently hand tighten the nut into the valve, and finish with a half turn using a 10mm open end wrench or similar (approximately 35in/lbs of torque). See Fig. 25-4, C.

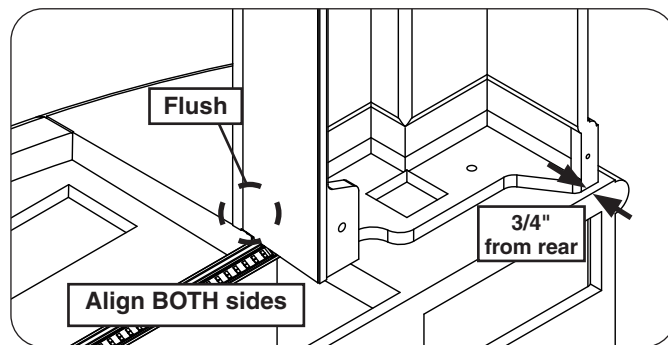


Fig. 25-1 Align top over hearth

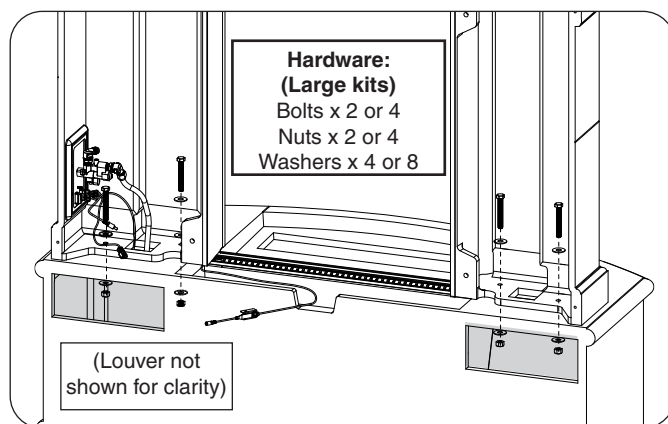


Fig. 25-2 Fasten top

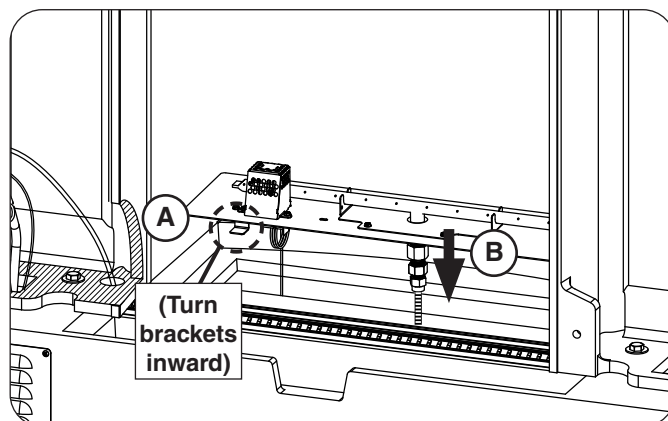


Fig. 25-3 Reinstall burner

Installation continued on next page

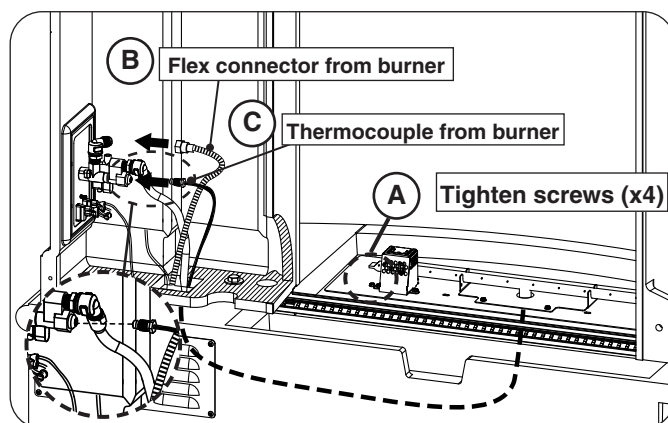


Fig. 25-4 Connect flex & thermocouple tube to valve

FIREFALL INSTALLATION (cont.)

CONNECT GAS SUPPLY - 695 MODELS

THIS SECTION ADDRESSES GAS SUPPLY CONNECTION FOR 695 MODELS ONLY.

For 690 models, refer to the following CONNECT GAS SUPPLY - 690 MODELS section.

Important: Before installation, be sure the gas supply (propane or natural) is turned off at its source.

- Locate the flex connector or L.P. regulator hose assembly that is already installed on the rear of the valve assembly. Route it down through the hole in the hearth. See Fig. 26-1.
- Continue to the appropriate section (below or next page).

To Connect to a Propane Cylinder:

1. Attach the regulator end of the hose assembly to a propane cylinder (not included) and tighten (see Fig 26-2).
2. The propane cylinder (not included) is to be located inside the base of the unit, via the storage door opening. Insert the cylinder into the tank holder tray and secure it. See Fig. 26-3, Fig. 26-4, and the details below:
 - Insert the cylinder.
 - Hook the round end of the pull-latch-screw over the bracket (found on collar of tank holder tray).
 - Snap the pull-latch-handle closed.
 - Ensure the collar is securely holding the cylinder in place. (If needed the pull-latch-screw can be adjusted to tighten or loosen the collar.)

Installation continued on next page

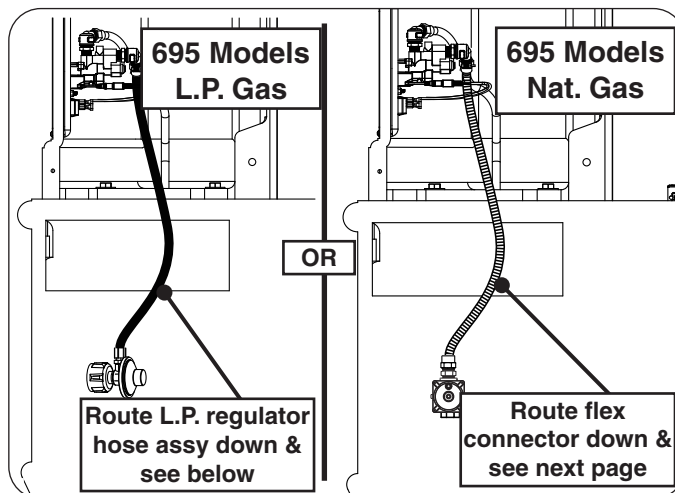


Fig. 26-1 Route L.P. hose OR flex down into hearth

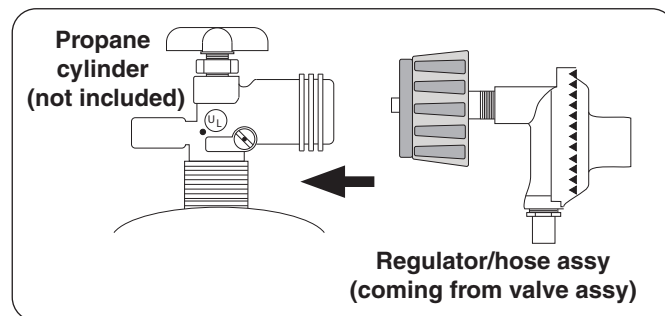


Fig. 26-2 Connecting to an L.P. Cylinder

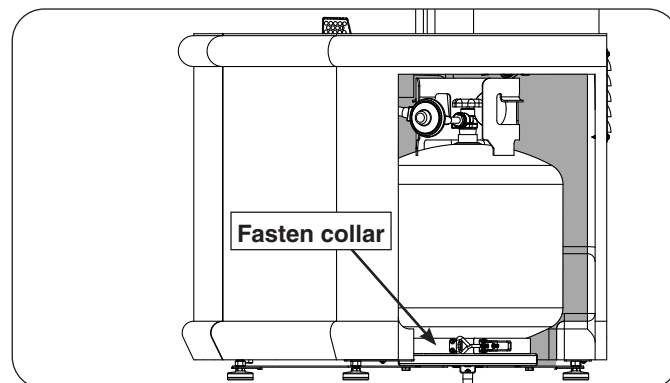


Fig. 26-3 L.P. Cylinder placement

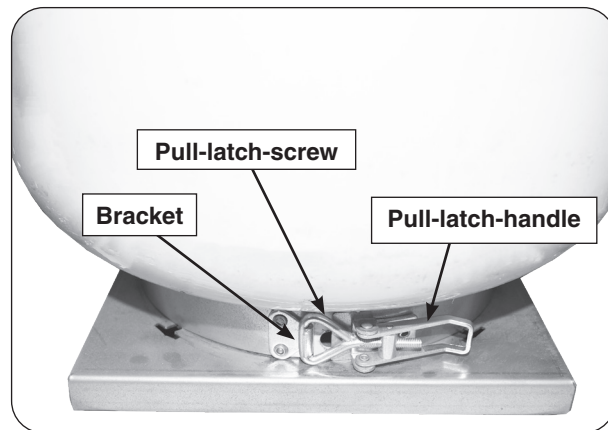


Fig. 26-4 Secure L.P. cylinder

To Connect to a Natural or Household Propane Gas Supply:

1. Locate the gas supply that is beneath or behind the hearth (previously routed at beginning of installation).
2. A shut-off valve is required within 6 feet of the unit and must be easily accessible.

Connect the regulator (on end of flex connector) to the gas supply (NPT) OR shut-off valve (NPT) using a pipe joint compound resistant to all gasses (see Fig. 27-1, A or B). Tighten securely.

The regulator may need to be disconnected from the flex connector to make the proper connections. Reconnect the flex to the regulator if removed.

Installation continued on next page

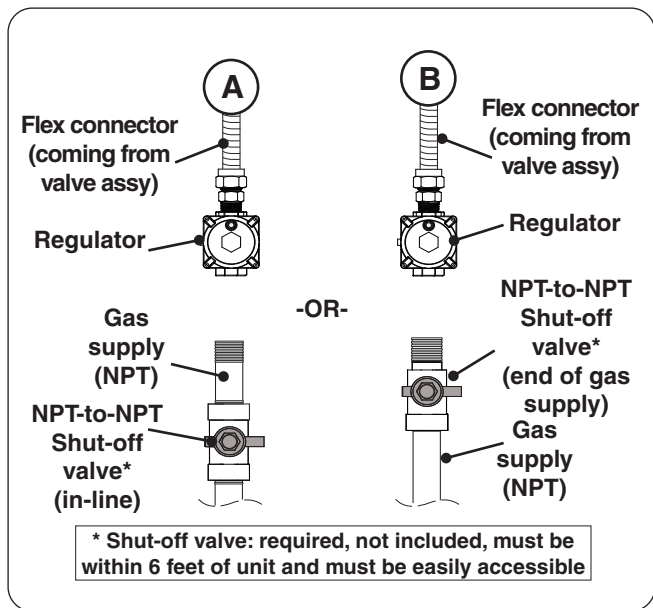


Fig. 27-1 Connecting to a gas line

FIREFALL INSTALLATION (cont.)

CONNECT GAS SUPPLY - 690 MODELS

THIS SECTION ADDRESSES GAS SUPPLY CONNECTION FOR 690 MODELS ONLY.

For 695 models, refer to the previous CONNECT GAS SUPPLY - 695 MODELS section.

Important: Before installation, be sure the gas supply (propane or natural) is turned off at its source.

If a propane cylinder is being used as the gas source, the unit does not accommodate a cylinder, and a separate propane cylinder enclosure is required. See the PROPANE CYLINDER ENCLOSURE REQUIREMENTS for details on American Fyre Designs tank/end tables, or custom-built enclosures. Then proceed to the steps below.

A 1/2" rigid gas pipe is pre-installed and protrudes out of the rear of the unit. Additional gas components will be required. Consult a qualified professional service technician, and your local dealer. **Observe the National Fuel Gas Code and all local codes, and leak test at all connections.** Follow the guidelines below.

1. Locate the flex connector that is already installed on the rear of the valve assembly. Route it down through the hole in the hearth. See Fig. 28-1, A.
2. Connect the flex connector to the flare adapter found on the regulator that is affixed to the rear of the hearth (see Fig. 28-2, B).
3. Route the gas supply (natural gas, household propane, or from an L.P. Cylinder) to the unit as applicable (see Fig. 28-2, C).

For natural or household propane gas, a shut-off valve is required within 6 feet of the unit and must be easily accessible.

Observe all codes and ensure all appropriate connections are used to properly connect the gas supply. Apply only joint compounds that are resistant to all gasses to all NPT fittings **except flare fittings. Make sure to tighten every joint securely and properly leak test at all connections.**

Installation continued on next page

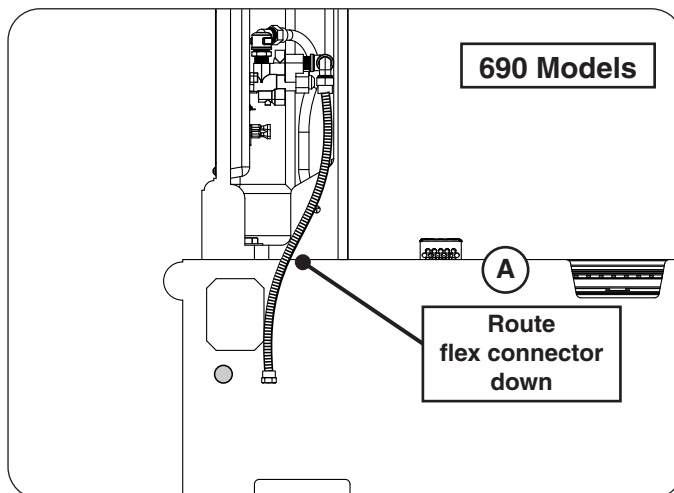


Fig. 28-1 Route flex connector down into hearth

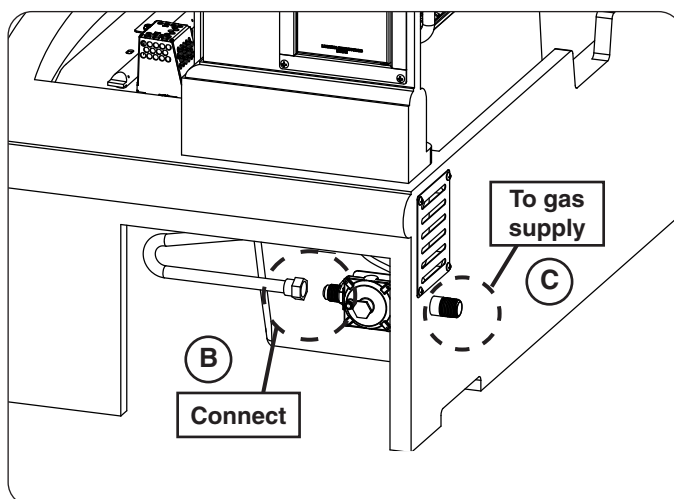


Fig. 28-2 Connect flex, then route gas supply

Connect LED Strip

1. Route the LED strip wire assembly up through the hole and to the control box area (A). Connect the DC plug (B). Then mount the wire assembly to the control box using the pre-installed nut (C). See Fig. 29-1.

Assemble Inner Rear-Panel

1. Lower the pump into the water trough as shown in Fig. 29-2. The pump catch net is not shown for clarity.
2. Inspect the black vinyl foam tape (as shown in Fig. 29-2) and ensure it is properly attached. Press down any areas if needed.
3. Place the inner rear-panel by first resting its bottom on the hearth, then slowly lifting it upward into place (see Fig. 29-3).
4. Insert the hardware (small hardware kits) in the order shown in Fig. 29-3. Hand tighten, then use two 1/2" open end wrenches (or equivalent) to fasten.

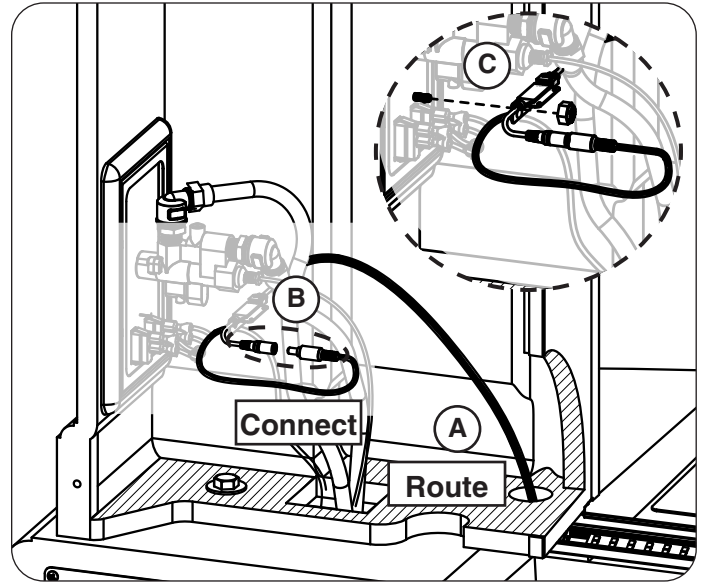


Fig. 29-1 Connect and mount LED strip

Installation continued on next page

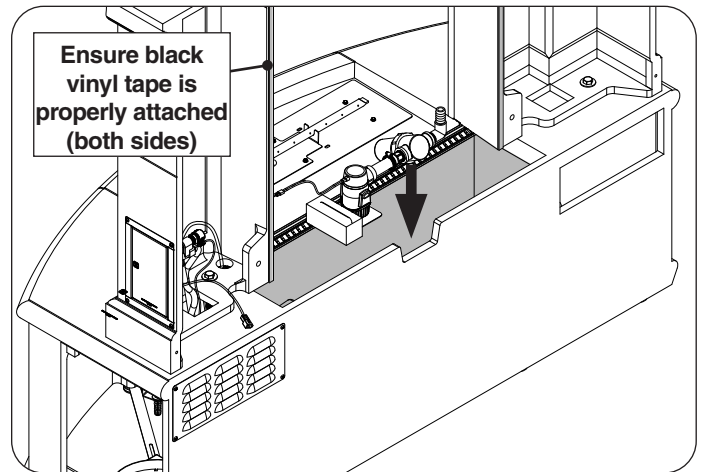


Fig. 29-2 Drop in water pump

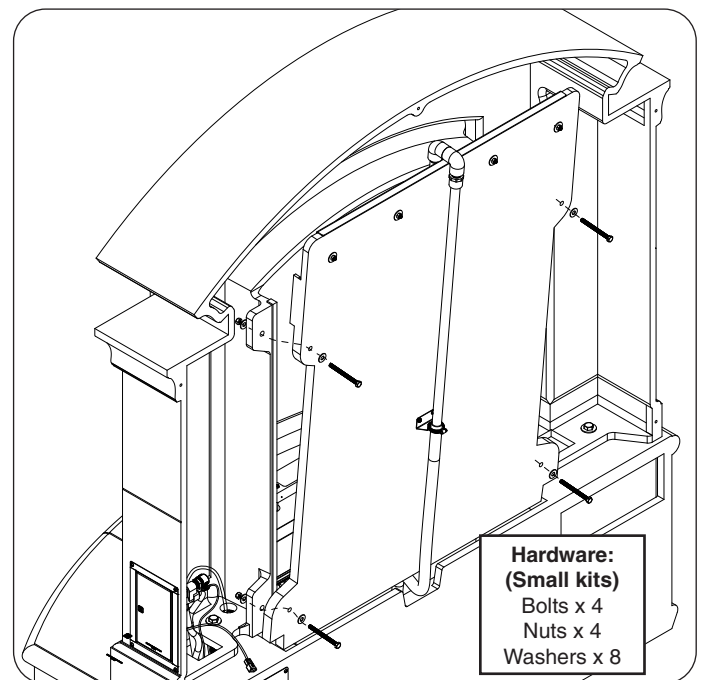


Fig. 29-3 Place inner rear-panel and fasten

FIREFALL INSTALLATION (cont.)

Install Water Pump

1. Route the water hose (connected to rear wall) into the burner trough area (see Fig. 30-1).
2. Connect the hose to the pump:
(See Fig. 30-1)
 - Slide the supplied hose clamp over the water hose.
 - Push the hose onto the pump outlet.
 - Slide the clamp over the pump outlet.
 - Use a small flathead screwdriver or $\frac{5}{16}$ " nut driver to tighten the hose clamp.
3. Connect the loose wire on the pump to the shorter loose wire coming from the control box (see Fig. 30-2).

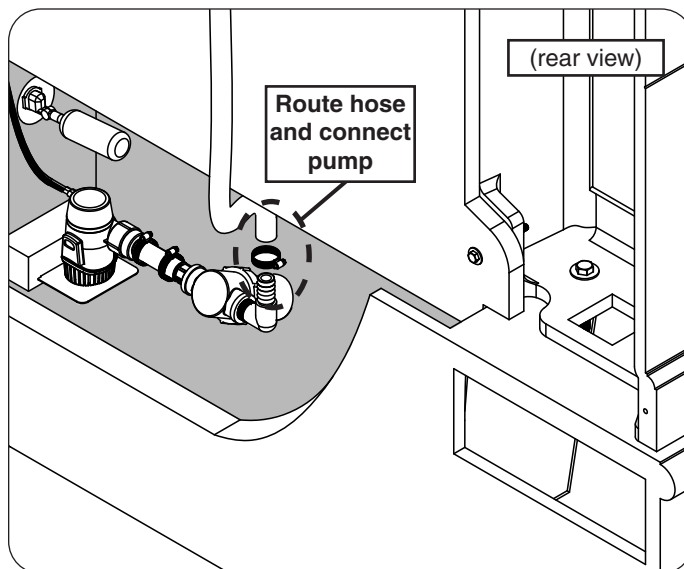


Fig. 30-1 Route hose and connect pump

Connect Water Supply (if applicable)

The unit has a float valve affixed to the interior of the water reservoir. A water fitting is exposed on the exterior of the reservoir (on door side of unit).

1. Locate the water supply that is beneath or behind the hearth (previously routed at beginning of installation).
2. Plumb the water supply to the $\frac{3}{4}$ " GHT fitting (see Fig. 30-3).

Note: Your individual installation may vary. Use a thread sealant if needed. **Observe the National Water and Safety Code and all local codes.**

Note: If water supply is not connected water can evaporate during use at approximately 1 gallon every 2 hours.

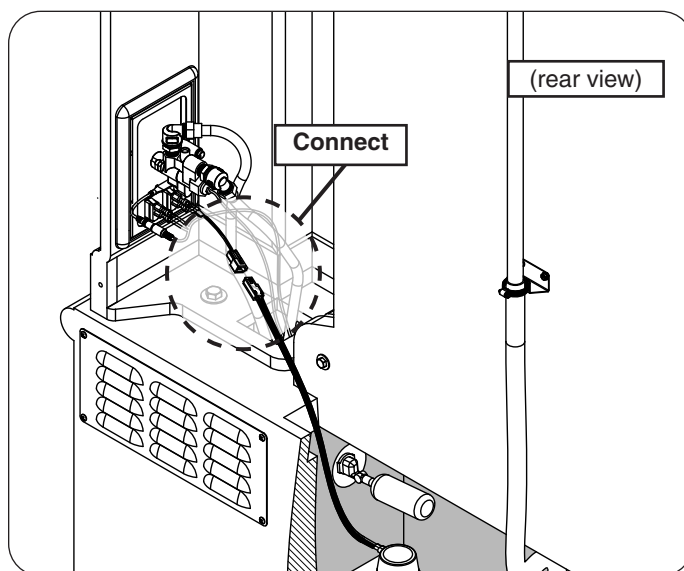


Fig. 30-2 Connect pump wire

Installation continued on next page

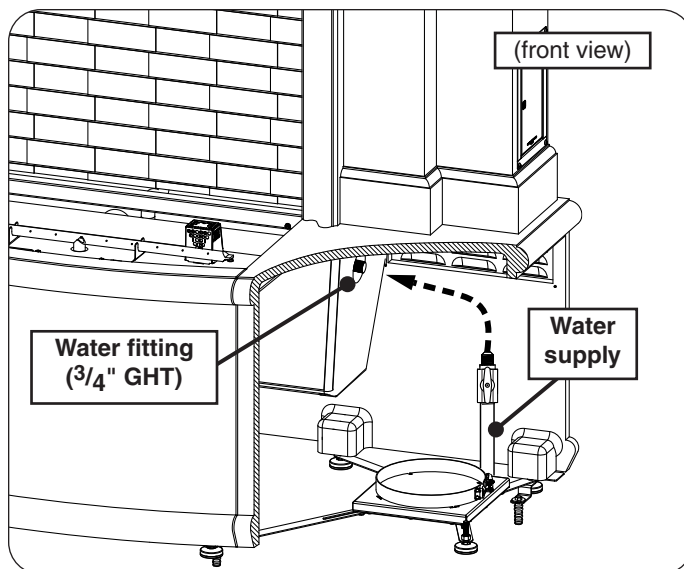


Fig. 30-3 Connect water supply (if applicable)

Install Screens

1. Locate the supplied screens. Place the right screen as shown in Fig. 31-1.

Note: Ensure the water pump wire is routed through the screen in the cutout.

2. Place the left screen as shown in Fig. 31-2.

Fill Reservoir With Water

1. Fill the reservoir with water (or turn on the water supply) until the float valve rises as shown in Fig. 31-3.

Note: If the system is connected to a water supply, the float valve will shut off the water at the appropriate level.

Important: Distilled water is recommended. Algaecide and De-Lime products (for fountains/ponds) should be used to control algae & lime. **DO NOT** use chlorine, as it will cause damage to the unit's finish and critical components.

Water Leak Test (if applicable)

Check at all connections for leaks. If a leak is present, turn off the water and tighten at all connections. Repeat until no leaks are present. If a leak persists, turn off the water supply and contact a professional service technician.

Installation continued on next page

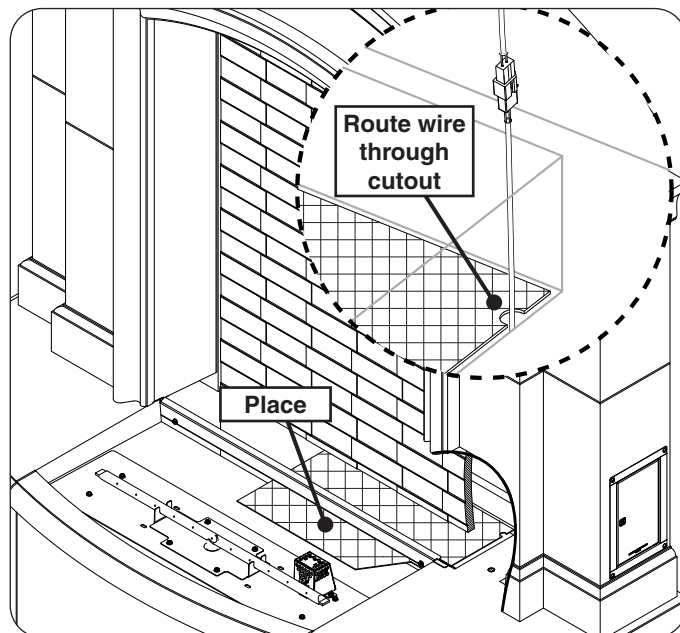


Fig. 31-1 Place right screen

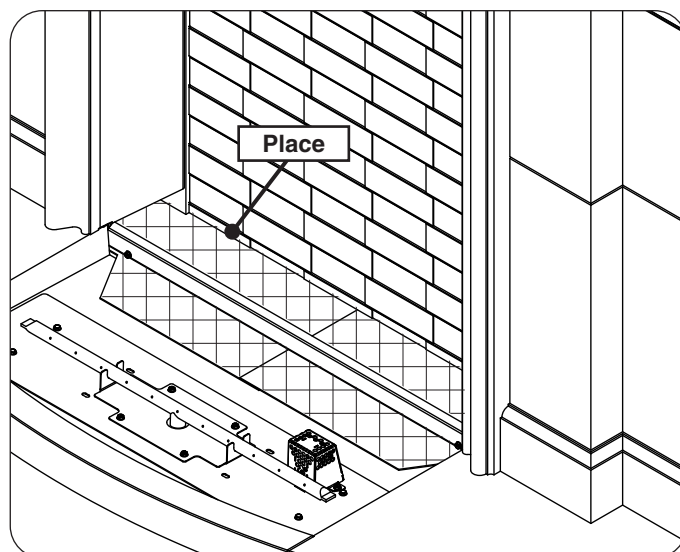


Fig. 31-2 Place left screen

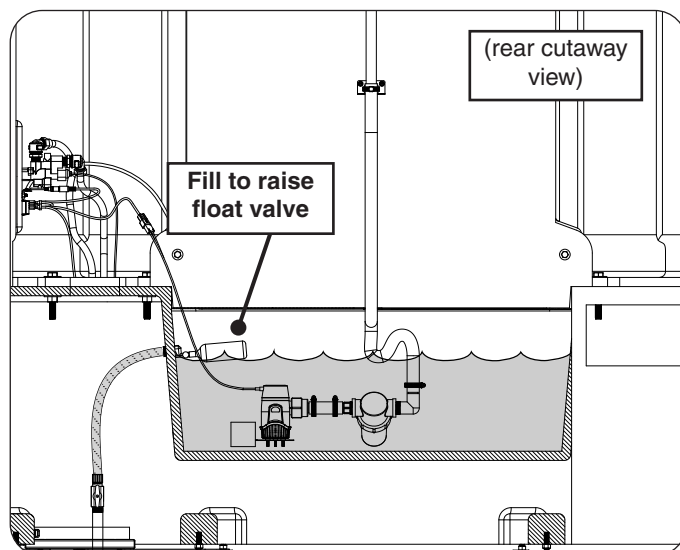


Fig. 31-3 Fill reservoir with water

FIREFALL INSTALLATION (cont.)

Connect Power Supply Cord

1. Route the power supply wire (longer free wire coming from the control box) through the hole in the hearth and down to the power supply. Connect as shown in Fig. 32-1, A.
2. Connect the power supply cord to the previously wired **120VAC (15 AMP minimum) GFCI GROUNDED 3-wire receptacle** (see Fig. 32-1, B).

Electrical Test

Perform an electrical test and check that the water pump and LED lights function properly (see lighting and operation instructions). If unit does not function check all connections. If a problem persists, contact a professional service technician.

Assemble Outer Rear-Panel

3. Place the outer rear-panel onto the back of the unit.
4. Use a Phillips screwdriver and the supplied 1 3/4" concrete screws (4-5) to fasten the wall to the unit as shown in Fig. 32-2.

Installation continued on next page

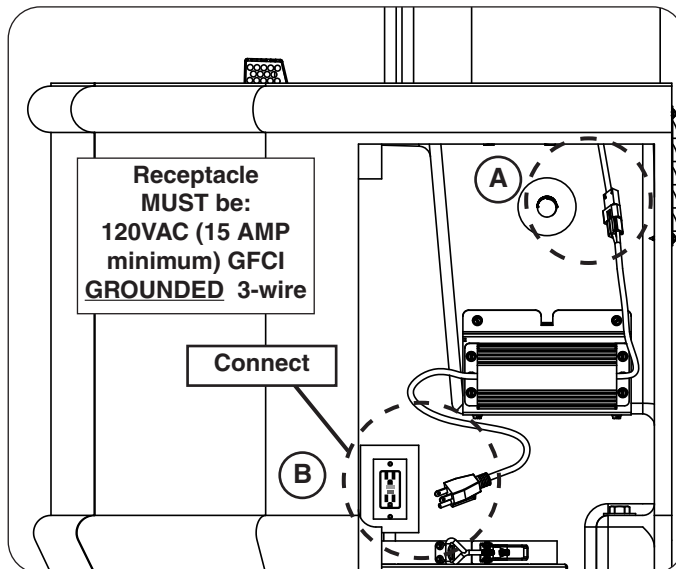


Fig. 32-1 Route and connect power supply wire and cord

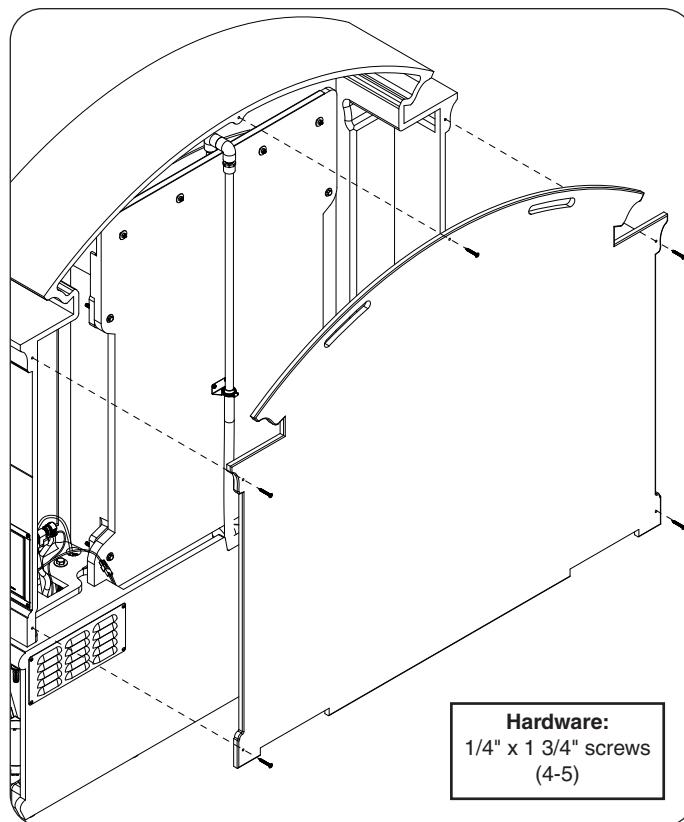


Fig. 32-2 Place outer rear-panel and fasten

Reinstall Louver

1. Reinstall the louver (that was previously removed). Use a Phillips screwdriver and the concrete screws (4) to fasten the wall to the unit as shown in Fig. 33-1.

Lighting Test

Prior to proceeding with installation, perform a lighting test (see lighting instructions for lighting your burner).

Allow the unit to completely cool after testing.

Replace Storage Door

Replace the storage door (that was previously removed). Ensure the door is secure in place (see Fig. 33-2).

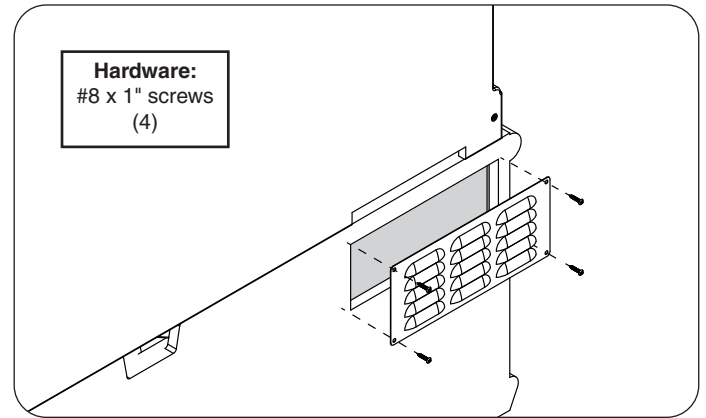


Fig. 33-1 Install louver

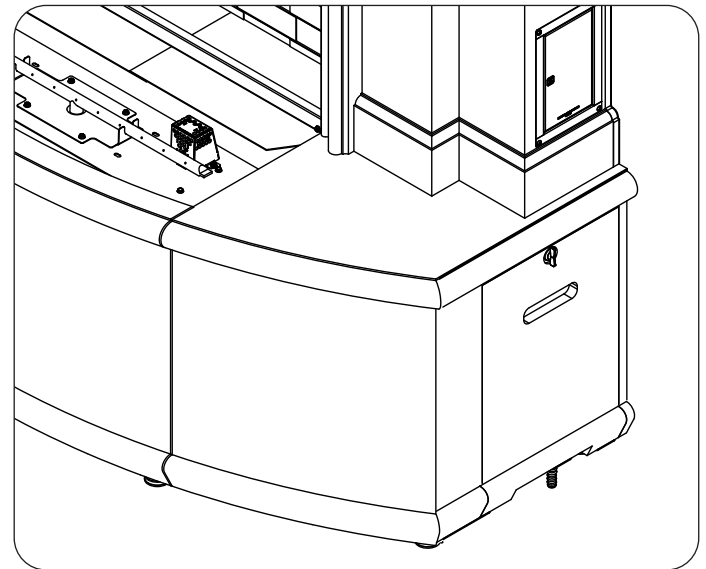


Fig. 33-2 Replace storage door

GLASS MEDIA PLACEMENT

WARNING: Failure to position the parts in accordance with these diagrams or failure to use only parts specifically approved with this appliance may result in property damage or personal injury.

CAUTION: Be sure the unit and the glass media are completely cool anytime the media is handled. **Wear gloves whenever installing and handling as certain media may have sharp edges that can cause personal injury.**

Important: If applicable, keep the screen clear of decorative media and any other items / debris at all times. This will allow for proper ignition and operation. **DO NOT** cover.

This unit has several options for glass media. The glass media is purchased and packaged separately. Contact your local American Fyre Designs dealer for ordering information. Locate the section(s) below that apply to your option(s) chosen and install accordingly.

One of the primary glass media options is required for safe operation and proper performance. Place first. All other secondary media is optional.

GLASS MEDIA

The recommended amount of glass media is 50 lbs.

Pour the glass media (glass or gems) evenly into the burner trough with the exception of the LED assembly and the screen. The media should be flush with the top of the trough. **DO NOT** overfill and **DO NOT** cover the LED assembly or screen. See Fig. 34-1 and Fig. 34-2.

Important: DO NOT exceed a height of 2" above the burner when placing glass media. Store any excess media in a safe location.

GLASS NUGGETS

1. Glass nuggets first require glass media to completely fill the burner trough. See above GLASS MEDIA section to place the media, then proceed to step 2.
2. Pour the glass nuggets evenly into the burner area. **Store any excess media in a safe location.**



Fig. 34-1 Place glass media



Fig. 34-2 Screen and LED assy detail

WIND GUARD

A wind guard is provided to enhance your unit aesthetically and improve its flame appearance.

To install, allow the unit to cool completely, then place the accessory onto the hearth of the unit, being sure that it is centered over the burner trough. See Fig. 35-1.

Follow all instructions provided with the wind guard.



Fig. 35-1 Wind guard

Please use this page to record any information that you may want to have at hand.

LIGHTING INSTRUCTIONS - MANUAL FLAME SENSING CONTROL MODELS

FOR YOUR SAFETY, READ BEFORE LIGHTING

WARNING: IF YOU DO NOT FOLLOW THESE INSTRUCTIONS EXACTLY, A FIRE OR EXPLOSION MAY RESULT, CAUSING PROPERTY DAMAGE, PERSONAL INJURY, OR LOSS OF LIFE.

- A. BEFORE LIGHTING**, smell all around the unit area for gas. Be sure to smell next to the floor, because some gas is heavier than air and will settle on the floor.
- B. WHAT TO DO IF YOU SMELL GAS**
1. Shut off the gas to the appliance.
 2. Extinguish any open flame.
 3. If odor continues, immediately call your gas supplier or the fire department.
- C.** Use only your hand to push in or turn the gas control knob. Never use tools. If the knob will not push in or turn by hand, **DO NOT** try to repair it. Call a qualified professional service technician. Force or attempted repair may result in fire or explosion.

LIGHTING

1. **STOP!** Read the safety information above.
2. Ensure the gas control knob (door side of firefall) is in the **OFF** position before beginning lighting sequence.
3. Light a long-stem match or a long-necked butane lighter, and place the flame against the surface of the decorative media near the burner (Fig. 37-1).
4. **Once the flame is in position**, turn the gas control knob counter-clockwise to the **ON** position, depress, and hold for 15 seconds (see Fig. 37-2). Your burner should light within 5 seconds.

Holding the knob in for 15 seconds allows the safety valve to activate and the burner to remain lit.

WARNING: If the burner does not light within five (5) seconds of turning the control knob, immediately turn the knob clockwise to the **OFF** position.

Wait approximately five (5) minutes to clear out any gas, and repeat steps 3-4 above.

If your burner fails to light again, turn the gas control knob clockwise to the OFF position and contact your dealer or gas supplier.

Note: The flame height can be adjusted via the control knob.

TO SHUT OFF GAS TO THE APPLIANCE

To extinguish your gas burner, turn the gas control knob clockwise to the OFF position (see Fig. 37-2). Be sure the control knob is turned fully off to avoid any gas leakage.

WATER FEATURE

1. Ensure the water level in the reservoir is at the float valve.
2. Flip the water switch (door side of firefall) to the ON (I) position (see Fig. 37-2).

LIGHTS

1. Flip the light switch (door side of firefall) to the ON (I) position (see Fig. 37-2).

Note: For remote use, see the LED LIGHTS - REMOTE OPERATION section.

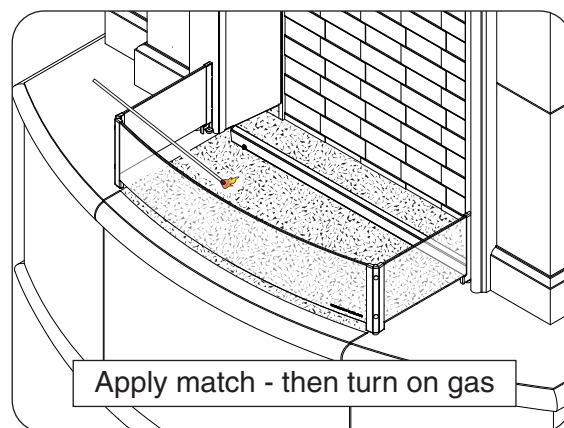


Fig. 37-1 Lighting burner

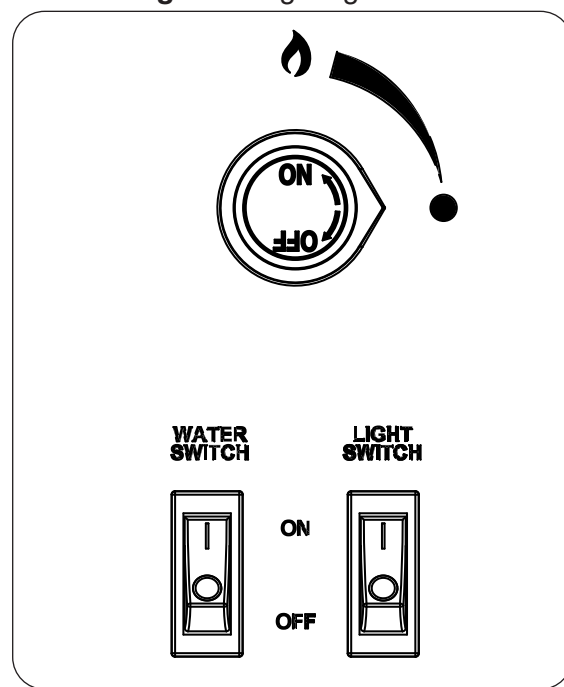


Fig. 37-2 Control box detail

POUR VOTRE SÉCURITÉ, LISEZ AVANT DE PROCÉDER À L'ALLUMAGE

AVERTISSEMENT : SI VOUS NE SUIVEZ PAS CES INSTRUCTION À LA LETTRE, UN INCENDIE OU UNE EXPLOSION RISQUE D'AVOIR LIEU ET D'ENTRAÎNER DES DOMMAGES MATÉRIELS, DES BLESSURES OU LA MORT.

- A. AVANT L'ALLUMAGE**, vérifiez l'absence d'odeur de gaz autour de l'appareil. N'oubliez pas de vérifier près du sol, car certains gaz sont plus lourds que l'air et se déposent sur le sol.
- B. QUE FAIRE SI VOUS SENTEZ UNE ODEUR DE GAZ**
 - 1. Coupez le gaz au niveau de l'appareil.
 - 2. Éteignez les flammes nues éventuelles.
 - 3. Si l'odeur persiste, contactez immédiatement votre fournisseur de gaz ou les pompiers.
- C.** Utilisez seulement votre main pour pousser ou tourner le bouton de commande du gaz. N'utilisez jamais d'outils. Si le bouton ne s'enfonce pas ou ne tourne pas à la main, **N'ESSAYEZ PAS** de le réparer. Contactez un technicien professionnel qualifié. Toute réparation ou tentative de réparation peut entraîner un incendie ou une explosion.

- 1. **ARRÊT!** Lire les consignes de sécurité ci-dessus.
- 2. S'assurer que le bouton de contrôle du gaz est en position **OFF (éteindre)** avant de séquence d'éclairage à partir la position.
- 3. Allumez une allumette à longue tige ou un briquet au butane à long col et placez la flamme contre la surface du support décoratif près du brûleur (Fig. 38-1).
- 4. **Une fois la flamme en position**, tournez le bouton de commande dans le sens inverse des aiguilles d'une montre sur la position **ON (sur)**, appuyez et maintenez la position pendant 15 secondes (voir Fig. 38-2). Votre brûleur devrait s'allumer dans un délai de 5 secondes. Maintenir le bouton appuyé pendant 15 secondes permet à la vanne de sécurité de s'enclencher et de maintenir le brûleur allumé.

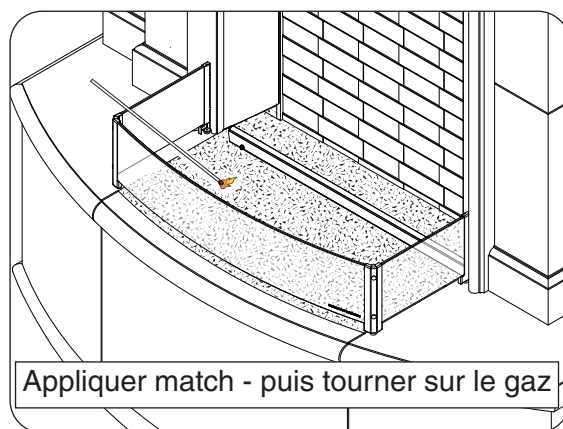


Fig. 38-1 Brûleur d'éclairage

AVERTISSEMENT : Si le brûleur ne s'allume pas dans les cinq (5) secondes après avoir tourné le bouton de commande, tournez immédiatement le bouton dans le sens des aiguilles d'une montre jusqu'à la position **OFF(éteindre)**.

Attendez environ cinq (5) minutes pour que le gaz se dissipe et répétez les étapes 3 et 4 ci-dessus.

Remarque : Si votre brûleur ne s'allume pas à nouveau, tournez le bouton de commande du gaz dans le sens des aiguilles d'une montre jusqu'à la position **OFF (éteindre)** et contactez votre revendeur ou fournisseur de gaz. La hauteur de la flamme est réglable par le biais du bouton de commande.

POUR COUPER LE GAZ AU NIVEAU DE L'APPAREIL

Pour éteindre votre brûleur à gaz, tournez le bouton de commande du gaz dans le sens des aiguilles d'une montre jusqu'à la position **OFF (éteindre)** (voir Fig. 38-2). Veillez à ce que le bouton de commande soit éteint entièrement pour éviter toute fuite de gaz.

CARACTÉRISTIQUE DE L'EAU

- 1. **Se assurer que le niveau d'eau dans le réservoir est à la vanne à flotteur.**
- 2. Basculez l'interrupteur de l'eau (côté droit de Firefall) à la position **ON (I)** (voir Fig. 38-2).

LUMIÈRES

- 1. Basculez l'interrupteur de lumière (côté droit de Firefall) à la position **ON (I)** (voir Fig. 38-2).

Note: Pour une utilisation à distance, consultez la section FEUX - TÉLÉCOMMANDE.

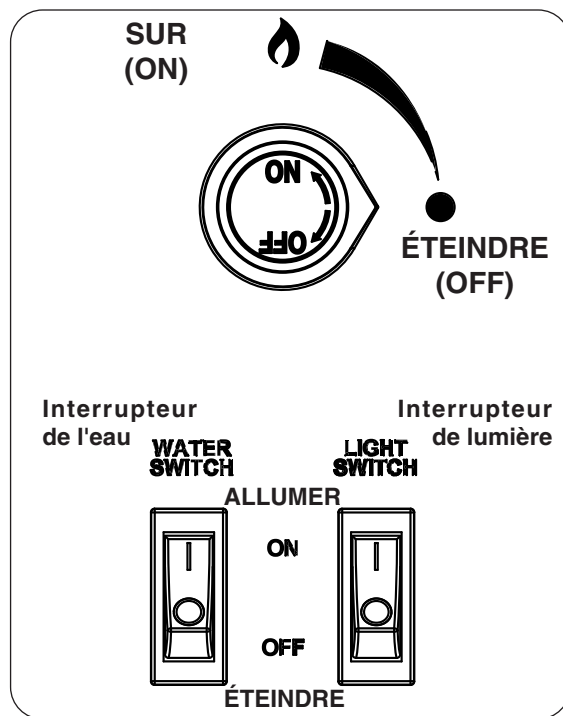


Fig. 38-2 Détail de la boîte de contrôle

LED LIGHTS - REMOTE OPERATION

Your unit comes with a remote to control the LED light system.

ORIENTATION

Prior to remote transmitter use, familiarize yourself with the transmitter keys as illustrated in Fig. 39-1 and Fig. 39-2.

The remote has two modes:

DYNAMIC MODE: 22 effects that range between fade, strobe, blasting flash, flicker, and alternating color patterns.

STATIC MODE: 20 standing color options (no effects).

Identify the transmitter keys:

- 1) **POWER KEY:** Turns light system on or off.
This key (and the entire remote) only works when the light switch located on the unit's control box is in the ON (I) position. See Fig. 39-3.
- 2/9) **DYNAMIC MODE KEYS:** Switch to dynamic mode, and switch between dynamic effects (1-22).
- 3/10) **DYNAMIC SPEED KEYS:** Switch to dynamic mode, and decrease/increase playing speed (1-8 levels).
- 4/5) **STATIC COLOR KEYS:** Switch to static mode, and switch between standing colors (1-20).
- 6) **DIRECT COLOR KEYS:** Shortcut keys to main (static) colors.
- 7/8) **STATIC BRIGHTNESS KEYS:** Switch to static mode, and decrease/increase brightness (1-8 levels).
- 11) **DEMO KEY:** Switch/reset to dynamic mode #1.

REMOTE USE

1. Flip the light switch (door side of unit) to the ON (I) position. See Fig. 39-3.

Note: The light system will turn on or remain off at this time depending on the last setting the remote transmitter was in. (Light system always retains memory of all remote transmitter settings.)

The remote only works when the light switch located on the unit's control box is in the ON (I) position.

2. Press the **POWER** key on the remote transmitter to turn the light on or off (see Fig. 39-1).
3. Use the remote as desired. Reference the above section and Fig. 39-1 and 39-2.

SHUTTING DOWN

- For a **remote shutdown**, press the **POWER** key on the remote transmitter.
- For a **manual shutdown**, switch the light switch on the unit's control box to the OFF (O) position.

REMOTE STORAGE AND CARE

When not in use, store the remote transmitter in the control box (door side of unit) with the door closed.

Important: Remote is NOT weatherproof. Protect it from the elements at all times and store when not in use.

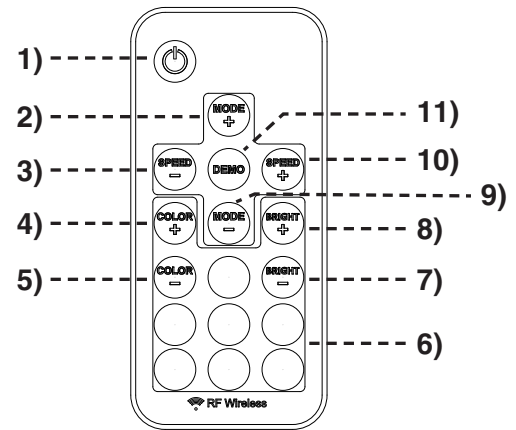


Fig. 39-1 Remote transmitter detail

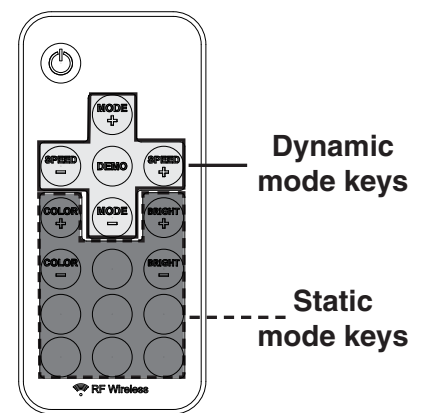


Fig. 39-2 Remote transmitter modes detail

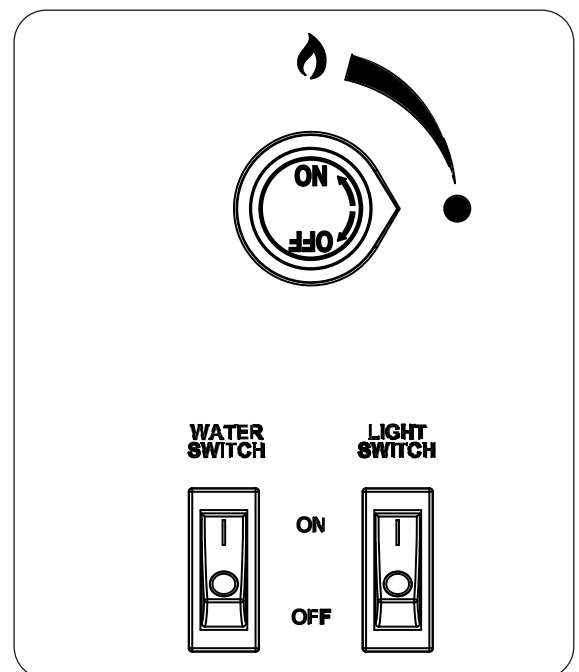


Fig. 39-3 Control box detail

FEUX - TÉLÉCOMMANDE

Votre unité est livré avec une télécommande pour contrôler le système d'éclairage LED.

ORIENTATION

Avant l'utilisation de télécommande, vous familiariser avec les touches de l'émetteur comme illustré sur la Fig. 40-1 et les options de mode de la Fig. 40-2.

La télécommande a deux modes:

MODE DYNAMIQUE: 22 effets allant de fondu, stroboscopique, flash explosif, scintillement et alternance de couleurs.

MODE STATIQUE: 20 options de couleur debout (aucun effet).

Identifiez les clés de l'émetteur:

- 1) **TOUCHE D'ALIMENTATION:** Allume ou éteint le système d'éclairage.
Cette touche (et toute la télécommande) ne fonctionne que lorsque le commutateur d'éclairage situé sur le boîtier de commande de l'appareil est en position ON (I). Voir Fig. 40-3.
- 2/9) **TOUCHES DE MODE DYNAMIQUE:** passer en mode dynamique et basculer entre les effets dynamiques (1-22).
- 3/10) **TOUCHES DE VITESSE DYNAMIQUES:** Basculer en mode dynamique et diminuez / augmentez la vitesse de lecture (niveaux 1-8).
- 4/5) **TOUCHES DE COULEURS STATIQUES:** passer en mode statique et basculer entre les couleurs debout (1-20).
- 6) **DIRECT COLOR KEYS:** Touches de raccourci vers les couleurs principales (statiques).
- 7/8) **TOUCHES DE LUMINOSITE STATIQUE:** Basculer en mode statique et diminuez / augmentez la luminosité (1-8 niveaux).
- 11) **TOUCHE DEMO:** Basculer / réinitialiser en mode dynamique # 1.

UTILISATION À DISTANCE

1. Basculez l'interrupteur de lumière (côté droit de unité) à la position ON (I). Voir Fig. 40-3.

Note: Le système d'éclairage se allume ou reste éteint à ce moment selon le dernier réglage de la télécommande était. (Système d'éclairage conserve toujours la mémoire de tous les réglages de l'émetteur à distance.)

La télécommande ne fonctionne que lorsque l'interrupteur situé sur le boîtier de commande de l'appareil est en position ON (I).

2. Appuyez sur la touche **ÉNERGIE** sur la télécommande pour allumer la lumière ou désactiver (voir Fig. 40-1).
3. Utilisez la télécommande comme vous le souhaitez. Consulter la section ci-dessus et la Fig. 40-1 et 40-2.

ARRÊT

- Pour un arrêt à distance, appuyez et maintenez la touche **ÉNERGIE** sur la télécommande jusqu'à ce que les lumières se éteignent.
- Pour un arrêt manuel, basculer l'interrupteur sur le boîtier de commande de l'appareil à l'arrêt (O).

STOCKAGE DISTANCE ET SOINS

Lorsqu'il ne est pas utilisé, ranger la télécommande dans la boîte de commande (côté droit de unité) avec la porte fermée.

Important: À distance ne est pas étanche. Protéger contre les éléments à tout moment. Magasin lorsque vous ne utilisés.

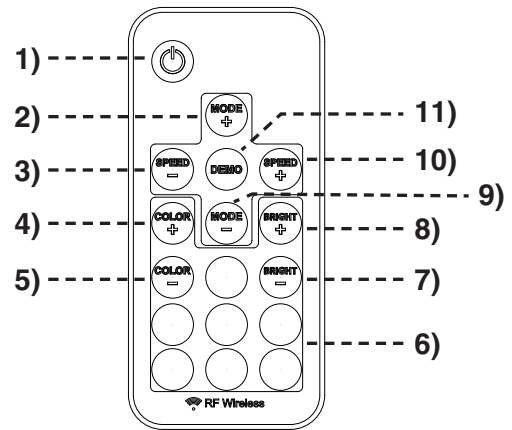


Fig. 40-1 Détail de l'émetteur à distance

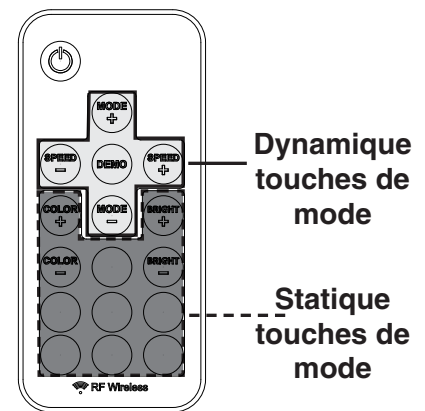


Fig. 40-2 Détail des modes d'émetteur à distance

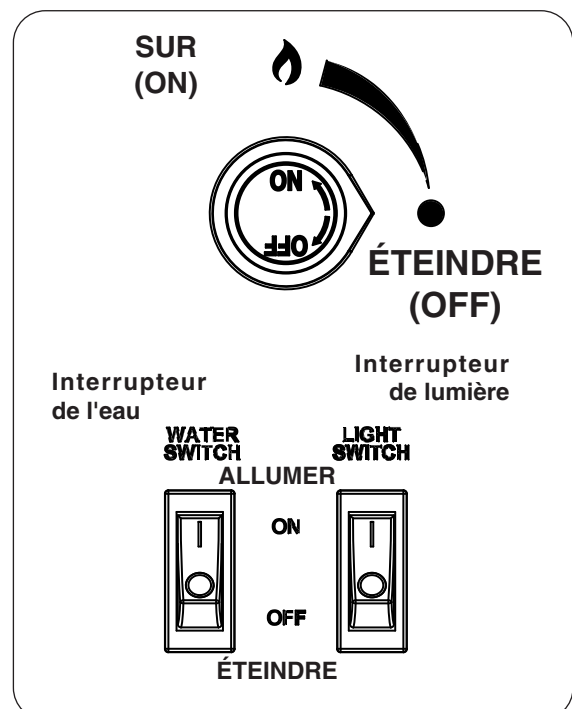


Fig. 40-3 Détail de la boîte de contrôle

SERVICING AND CLEANING

Each installation site for any unit presents its own unique combustion environment. Specific factors such as weather, wind currents, yard debris, altitude, drafts, the size of the surrounding area, all have an influence on the proper operation of the gas appliance. A normally operating appliance will demonstrate the following characteristics:

- A lively, realistic yellow flame
- Odor-free

If the flame is not clean (identifiable by excessive sooting on the decorative media), refer to the information below. Some soot on the media may occur and should not be a concern unless excessive.

ANNUAL CLEAN / INSPECTION GUIDELINES

The unit and the installation must be inspected annually. Refer to these instructions for details. Performing these procedures will ensure proper operation, appearance, and safety. WEAR GLOVES.

If maintenance is required, it must be done by a qualified professional service technician.

- Always shut off the gas to the unit while performing service work.
- Allow the unit to cool before servicing.
- The entire burner system should be inspected regularly:

Excessive debris can build up on the unit from leaves, dirt, or other debris. It is critical that all control components, burners, thermocouple screen, vent openings, and the surrounding area be kept clear and free at all times.

Examine that all components are properly assembled / installed as instructed in this manual.

Ensure that all decorative media is properly placed as instructed in this manual.

Ensure that the thermocouple screen on the burner pan is clear of decorative media and any other items/debris.

Ensure that all gas lines, burner tubes, burner ports, and the orifice are clear of insects, insect nests, spiderwebs, and any debris.

Replace batteries as needed. See BATTERY INSTALLATION/REPLACEMENT section for details.

- The burner assembly must be replaced prior to the unit being put into operation if it is evident that the burner is damaged. Contact your local dealer for replacement parts.
- DO NOT use substitute materials when replacing any components of the appliance.
- **Keep the vent openings and surrounding area of the unit clear and free at all times.**
- Periodically perform visual checks of the burner flames. The burner flames should be blue at the base with a combination of blue/yellow at the body and tips. Contact a qualified professional service technician for maintenance.
- **To maintain the concrete components,** see the CONCRETE CARE section for details.
- **To maintain the water well components,** see the WATER SYSTEM CARE section for details.
- **To clean the wind guard,** see the WIND GUARD CLEANING section for details.
- Any guard or other protective device removed for servicing the unit shall be replaced prior to operating the unit.
- Verify proper operation after servicing.

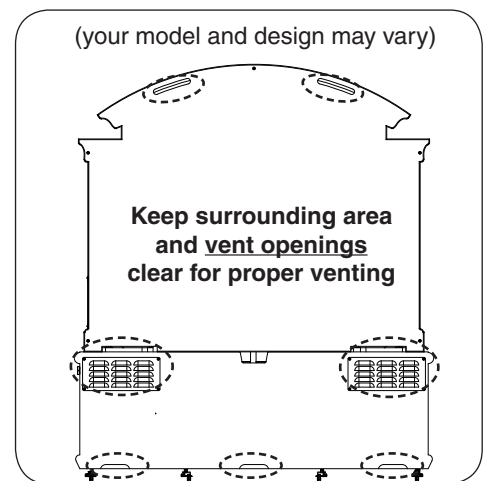


Fig. 41-1

CAUTION: HOT DURING OPERATION AND AFTER USE. Children must be supervised when in the vicinity of this unit. Serious injury may occur! Children must be alerted to the hazard of high surface temperatures and should stay away to avoid burns or clothing ignition.

CONCRETE CARE

As with any surface, concrete components require regular maintenance and care. Certain guidelines must be followed to preserve the concrete's appearance and structural integrity.

- **Scratches may occur due to usage.** To minimize, avoid striking or dragging heavy, rough, or sharp objects across the unit.
- **Spotting and hairline cracks may occur due to nature of product and are not considered a manufacturing defect.**
- **Concrete products are porous and susceptible to discoloration from liquids (especially oils and acidic substances).** During use, clean up any spills immediately to prevent any possible staining or damage to the finish. Avoid allowing water (or any liquid / substance) to stand on the surface.
- **To clean the concrete, first wash with a mild soap and water solution. For stubborn stains, a vinyl brush may be used. Allow to dry. Annually, follow up with a masonry sealer in order to preserve the finish.**
- It should be noted that, like natural stone, concrete products will develop a patina when left outside. No two concrete products are identically the same and the finish will vary.

WATER SYSTEM CARE

- **It is necessary to keep the water level in the reservoir above the pump during use.** The appropriate water fill level is at the float valve (found inside reservoir). To view the water level, slide away the decorative media on one side of the burner trough, then use a flashlight to view. Fill if needed.

Note: If the system is connected to a water source, the system will auto-fill as needed.

- Distilled water is recommended. Algaecide and De-Lime products (for fountains) should be used to control algae & lime. **DO NOT** use chlorine, as it will cause damage to the unit's finish as it will cause damage to the unit's finish and critical components.
- Some splashing may occur during operation. To minimize splashing ensure that the reservoir is full (above water pump) at all times.
- **During freezing weather conditions, the water must be drained from the reservoir to prevent damage to the unit and the pump.** To drain, first remove the water hose attached to the pipe assembly (rear of unit). Then flip the water switch (door side of firefall) to the ON (I) position. Allow pump to drain all of water, then flip the water switch to the OFF (O) position. Re-install the water hose using the hose clamp.
- Clean/scrub the water reservoir as needed. If required, drain the reservoir (see above for details).
- The diffuser tube (located at front top of water wall) should be removed annually to inspect the water ports for blockages. Clean as needed. A nail may be used to open any clogged ports. Be sure to reconnect the tube.
- The water pump should be removed and cleaned annually. Scrub the bottom of the pump to prevent blockages. Be sure to replace the pump in the water reservoir. Clean the inline water filter and rinse off any debris from the pump catch net.

WIND GUARD CLEANING

- Clean the glass periodically to remove any build-ups caused by the elements and combustion. It is recommended that the glass be cleaned 2-3 times during each heating season, depending on use and environment conditions.
- Clean using a non-abrasive glass cleaner and a clean lint-free cloth.
- Never attempt to clean glass while hot.
- DO NOT touch glass while in operation or within 10 minutes following use.

BATTERY INSTALLATION/REPLACEMENT

The remote transmitter requires one lithium battery (3V/CR2025) to operate (included). Locate the transmitter, remove the tray (found at bottom), and properly insert the new battery as shown. Re-secure the tray. See Fig. 42-1.

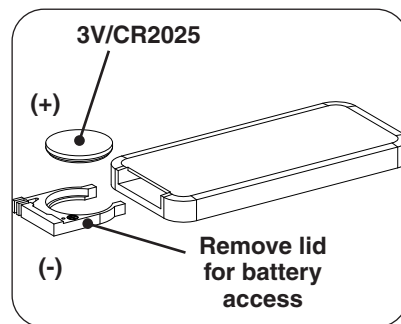


Fig. 42-1 Transmitter battery

FUEL CONVERSION KITS

A certified kit is available from the manufacturer to convert your appliance from natural gas to L.P. or vice versa. Contact your dealer for ordering information.

Follow the instructions provided with the kit when converting.

TROUBLESHOOTING

If you have trouble with your unit, please use this list to identify the problem. By trying one or more of the solutions to the probable cause, you should be able to solve the problem. If this list does not address your present problem, or if you have other technical difficulties with your unit, please contact your local dealer or visit our web site at www.rhpeterson.com.

SYMPTOM	PROBABLE CAUSE	CORRECTIVE ACTION
Burner will not turn on	<ol style="list-style-type: none"> 1. Gas not reaching appliance 2. Air in gas line 	<ol style="list-style-type: none"> 1. Check gas supply and gas shut-off valve. 2. Purge air from gas line.
Unit overheating or poor combustion	<ol style="list-style-type: none"> 1. Vent openings / surrounding area blocked with debris 	<ol style="list-style-type: none"> 1. Clean vent openings and surrounding area of all obstructions.
Uneven or Low flame	<ol style="list-style-type: none"> 1. Low gas pressure 2. Low gas pressure/flame (propane) 3. Propane tank running low (if applicable) 4. Gas supply blocked or obstructed 5. Too much media on burner 	<ol style="list-style-type: none"> 1. Check gas pressure (Read E-F of PRE-INSTALLATION AND PREPARATION SAFETY GUIDELINES section, & <u>check with local gas company</u>). 2. Shut off all valves, including propane tank, and follow lighting instructions exactly. (See important note* below.) 3. Fill tank completely. 4. Inspect all gas lines, burner tubes, burner ports, and the orifice for insects, insect nests, spiderwebs, and any debris. Clean as needed. 5. Remove excess media (refer to GLASS MEDIA PLACEMENT section for proper placement)
Low flame or too high flame	<ol style="list-style-type: none"> 1. Using natural-gas burner on propane gas or propane burner on natural gas 	<ol style="list-style-type: none"> 1. Ensure proper gas type. The gas supply used may not be the same as that stated on the unit rating plate. Shut down immediately to verify, and if necessary contact your local dealer. (The unit may be converted to the gas type of the gas supply, IF PERMITTED.)
Flame lifts off the burner assembly	<ol style="list-style-type: none"> 1. Unit exposed to high-wind conditions 	<ol style="list-style-type: none"> 1. Ensure that the unit is installed in an area that is less susceptible to high wind conditions. DO NOT operate in high-wind conditions.

Note: *Propane tanks are equipped with a safety shutdown device that may cause low or no gas/flame at the burners if operating and lighting instructions are not followed exactly. **If you suspect the propane tank safety shutoff is in effect:** 1) Shut off unit's valve. 2) Shut off tank valve. 3) Open and close unit's valve. 4) Open tank valve. 5) Follow the LIGHTING INSTRUCTIONS. Lighting instructions are located in your owner's manual and printed on the unit's label plate. Lighting instructions are located in the owner's manual. If the problem persists, continue troubleshooting, or contact your local dealer or distributor for assistance.

TROUBLESHOOTING (cont.)

SYMPTOM	PROBABLE CAUSE	CORRECTIVE ACTION
Flame height drops when unit is in operation	<ol style="list-style-type: none"> 1. Low gas pressure (due to improper gas supply line) 	<ol style="list-style-type: none"> 1. Check gas supply line and gas pressure (Read E-F of PRE-INSTALLATION AND PREPARATION SAFETY GUIDELINES section, & <u>check with local gas company</u>).
Burner lights but will not stay lit	<ol style="list-style-type: none"> 1. Low gas pressure 2. Unit exposed to high-wind conditions 3. Clogged burner ports 4. Faulty valve or regulator 5. Bad thermocouple 	<ol style="list-style-type: none"> 1. Check gas pressure (Read E-F of PRE-INSTALLATION AND PREPARATION SAFETY GUIDELINES section, & <u>check with local gas company</u>). 2. Ensure that the unit is installed in an area that is less susceptible to high wind conditions. 3. Clean burner ports. 4. Contact a qualified professional service technician and the local dealer. 5. Check/replace thermocouple.
Burner flashback or flame burning out of orifice	<ol style="list-style-type: none"> 1. Clogged burner ports 2. Clogged burner orifice 	<ol style="list-style-type: none"> 1. Clean burner ports. 2. Clean burner orifice.

TROUBLESHOOTING (cont.)

SYMPTOM	PROBABLE CAUSE	CORRECTIVE ACTION
LED Lights will not turn on at remote transmitter	<ol style="list-style-type: none"> 1. Light switch at control box is in OFF (O) position 2. Dead battery 	<ol style="list-style-type: none"> 1. Flip light switch to ON (I) position, then use remote. 2. Check/replace transmitter battery.
LED Lights will not turn on at control box	<ol style="list-style-type: none"> 1. Remote transmitter is in off setting 2. Loose wires 3. Appliance is not receiving power 	<ol style="list-style-type: none"> 1. Press POWER key on the remote transmitter. 2. Check all wires are connected properly. 3. Check that power supply cord is properly plugged in. Check GFCI. Check building circuit breaker.
Water feature does not work	<ol style="list-style-type: none"> 1. No water in water reservoir 2. Loose wires 3. Appliance is not receiving power 4. Pump not functioning 	<ol style="list-style-type: none"> 1. Check / refill water reservoir with water (see WATER SYSTEM CARE section for details). 2. Check all wires are connected properly. 3. Check that power supply cord is properly plugged in. Check GFCI. Check building circuit breaker. 4. Check/replace pump.
Water is not properly flowing down rear wall	<ol style="list-style-type: none"> 1. No water in water reservoir 2. Clogged water ports on diffuser tube 	<ol style="list-style-type: none"> 1. Check / refill water reservoir with water (see WATER SYSTEM CARE section for details). 2. See WATER SYSTEM CARE section for complete details on how to clean entire water system.
Lights and water not turning on	<ol style="list-style-type: none"> 1. Loose wires 2. Appliance is not receiving power 3. Power supply failure 	<ol style="list-style-type: none"> 1. Check all wires are connected properly. 2. Check that power supply cord is properly plugged in. Check GFCI. Check building circuit breaker. 3. Check/replace power supply.
Reservoir is not refilling (when unit is connected to a water line)	<ol style="list-style-type: none"> 1. Water shut-off valve closed 2. Float valve broken 	<ol style="list-style-type: none"> 1. Open water shut-off valve. 2. Check/replace float valve.
System does not respond to remote transmitter	<ol style="list-style-type: none"> 1. Transmitter batteries dead 2. Loose wires 3. Controller malfunction/damaged 	<ol style="list-style-type: none"> 1. Check/replace batteries in transmitter (see BATTERY REPLACEMENT section). 2. Check all wires are connected properly. 3. Replace remote transmitter.

WARRANTY

AMERICAN FYRE DESIGNS BY R. H. PETERSON CO. LIMITED WARRANTY

Robert H. Peterson Co. ("RHP") warrants your American Fire Designs product to be free from defects in material and workmanship. American Fyre Designs ("AFD") exterior Glass Fiber Reinforced Concrete (GFRC) fire features ("products"), burners, logs, and stainless steel firepit burners for outdoor installation are warranted for **THREE (3) YEARS**.

All AFD valves, electrical components, accessories and controls are warranted for **ONE (1) YEAR** (excluding batteries, wind guards and screens).

This warranty **does not** apply to: product damage caused by burning wood or any fuel other than natural gas or propane; or damage or discoloration to product used in high wind conditions.

A COPY OF YOUR SALES SLIP FOR PROOF OF PURCHASE IS REQUIRED

This warranty applies to the original purchaser for products which are installed in the United States or Canada and which are operated and maintained as intended. This warranty is valid only with proof of purchase, commence on the date of purchase, and terminates (both as to original and any replacement products) on the anniversary date of the original purchase of the product per the above schedules.

This warranty covers defects in material and workmanship. This warranty **does not** cover parts which become defective as a result of negligence, misuse, use not in compliance with the Installation and Owner's Manual, accidental damage, improper handling, improper storage, improper installation, **lack of required routine maintenance** (as specified in the Installation and Owner's Manual), electrical damage, local gas impurities or failure to protect against combustibles. Product must be installed (and gas must be connected) as specified in the Installation and Owner's Manual by a **qualified professional installer**. Modifications to products which are not specifically authorized will void this warranty. Accessories, parts, valves, remotes, etc. when used must be Peterson products or this warranty is void. Warrantied items will be repaired or replaced at Peterson's sole discretion. This warranty **does not** apply to rust, corrosion, oxidation, or discoloration unless the affected part becomes inoperable.

This warranty **does not** cover labor or labor related charges, except as provided by separate specific written programs from the Peterson Co. All repair work must be performed by a qualified professional service person and requires prior approval of Peterson.

Peterson may require the defective product or part to be returned to the factory to determine the cause of failure. Peterson will pay freight charges if the product or part is determined to be defective. This warranty does not cover breakage in shipment from our (Independent) distributor to its customer if the damage is determined to have occurred during that shipment.

This warranty specifically excludes liability for **indirect, incidental**, or consequential damages. Some states and provinces do not allow the exclusion or limitation of incidental or consequential damages, so the above exclusion may not apply to you. This warranty gives you specified legal rights, and you may have other rights that vary from state to state or province.

For additional information regarding this warranty, or to place a warranty claim, contact the R. H. Peterson dealer where the product was purchased.

When contacting your Peterson dealer or the R. H. Peterson Co., please provide the following information:

- Your name, address, telephone number, e-mail
- Sales receipt showing where purchased and date purchased
- Model number, serial number of product, date code
- Relevant information: installer, additions, repairs, when defect was first noted

**TO REGISTER YOUR PRODUCT ONLINE GO TO: WWW.RHPETERSON.COM,
AND CLICK ON PRODUCT REGISTRATION. THANK YOU FOR YOUR PURCHASE.**

Quality Check			Date: _____		
Burner Orifice	Nat.	L.P.	Leak Test: _____	Model#:	_____
Main:	_____	_____	Burn Test: _____	Serial#:	_____
			Gas Type: <u>Nat. / L.P.</u>	Inspector:	_____