



WCM70PAP

Cafe DECO™

Airpot Coffee Brewer



Cafe DECO™ Airpot Coffee Brewer



*Airpot sold separately.

MAIN FEATURES

- Brews 4 gallons per hour (64, 8 oz.cups per hour)
- High-end industrial design
- Coffee brewer for airpots
- Stainless steel construction
- Ready and Power lights
- Separate hot water faucet for tea, soup and other hot drinks
- Push-button brew start
- Limited One Year Warranty

ELECTRICAL

Voltage: 120

Frequency: 60Hz

Watts: 1,660

Amps: 13.8

Plug Type: NEMA 5-15P ⓘ

Cord Length: 6 feet



SALES FEATURES

This heavy-duty, airpot coffee brewer with easy-to-clean stainless steel construction is ideal for brewing large volumes of hot coffee with optimal speed and efficiency. A touch of a button brews perfect coffee into a large airpot in minutes. Designed with an easy-draw, hot water faucet for soup and drinks, this plumbed unit is perfect for offices, schools, hospitals, convenience stores, and anywhere quick, fresh-brewed coffee is in high demand.



@waringcommercial

©2020 Waring Commercial
314 Ella T. Grasso Avenue, Torrington, CT 06790
Tel. 800-492-7464 • Fax 860-496-9008

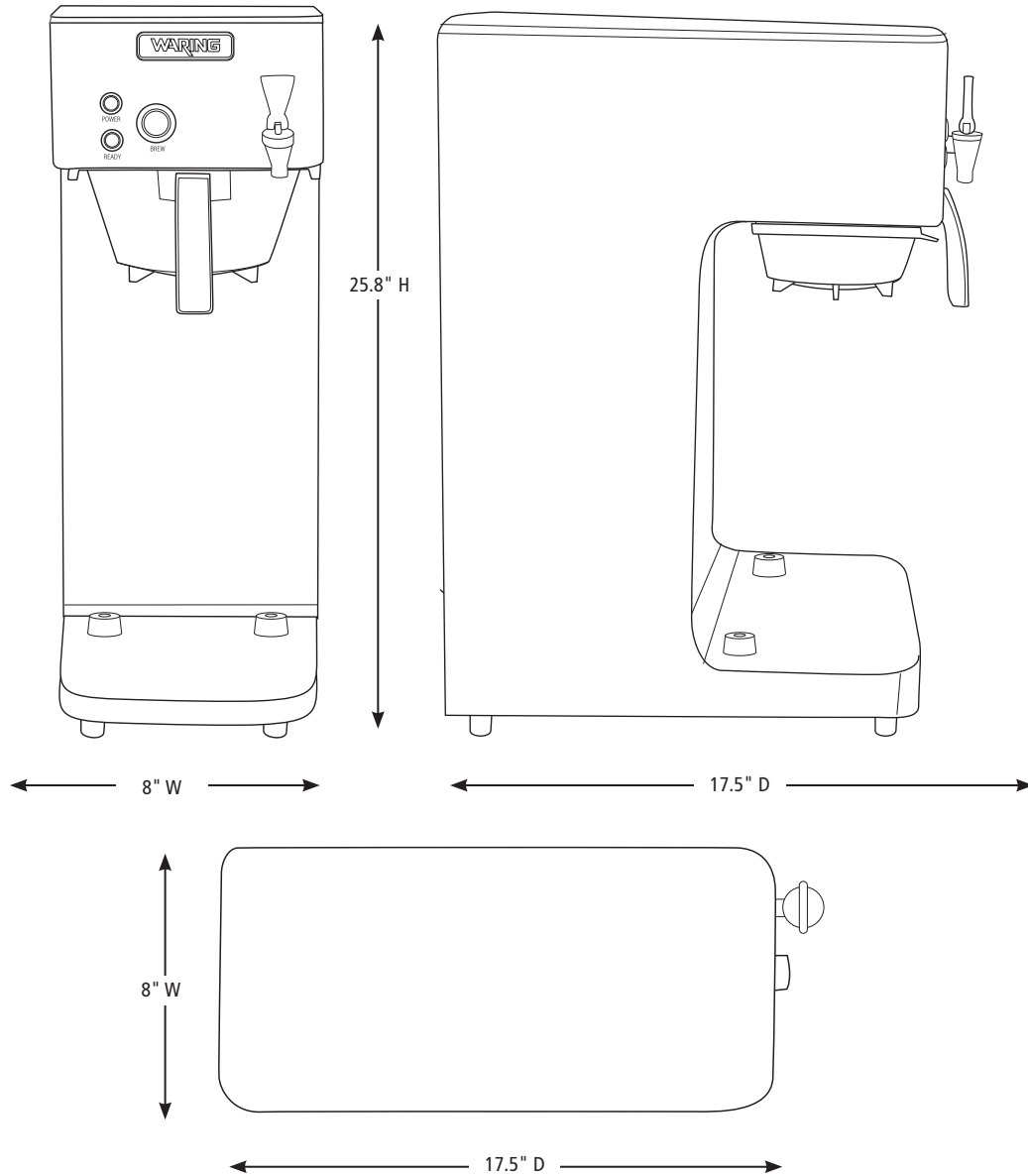
waringcommercialproducts.com

WCM70PAP



Cafe **DECO** Airpot Coffee Brewer
WCM70PAP

DIMENSIONS



Out of Box Weight: 20.5 lb.

ORDERING INFORMATION	#STD. PKG.	GIFTBOX WEIGHT	CUBIC FEET	BOX DIMENSIONS D X W X H	UPC	CASE PKG.	MC WEIGHT	MC DIMENSIONS D X W X H	MBC
WCM70PAP – Airpot Coffee Brewer	1	28	4.077	22.875" x 10.25" x 28"	040072089794	1	29.3	23.5" x 11" x 29.125"	10040072088979



@waringcommercial

©2020 Waring Commercial
 314 Ella T. Grasso Avenue, Torrington, CT 06790
 Tel. 800-492-7464 • Fax 860-496-9008

waringcommercialproducts.com

20WC072141 / REV 01/20