



UNDER COUNTER REFRIGERATORS



› FEATURES

- CFC free refrigerant and foam insulation
- Electronic thermostat and digital LED temperature display for accurate control and easy reading
- Easy to mount 2.5" casters (lockable in front) are standard with all units
- Self-closing doors that remain open at 90 degrees
- Magnetic gasket can be replaced without any tools
- Adjustable, heavy-duty epoxy coated wire shelves (one per door)
- Stainless steel framework construction
- Auto defrosting and auto evaporation of condensation water
- Exterior: 430 stainless steel, door & front panel: 202 stainless steel
- Interior: side panel: ABS plastic, bottom: 304 stainless steel, balance in aluminum
- Temperature: 33 to 41°F / 0.5 to 5°C
- Electrical: 115/60/1 with NEMA 5-15P plug

› SPECIFICATIONS

MODEL	DOORS	EXT. DIMENSIONS W x D x H (in)	INT. DIMENSIONS W x D x H (in)	AMPS	H.P	SHIP WEIGHT
YUC-27	1	27.8 x 29.9 x 35.5	23.0 x 24.9 x 24.2	5	3/8	199 lbs
YUC-48	2	48.2 x 29.9 x 35.5	43.5 x 24.9 x 24.2	5	3/8	280 lbs
YUC-60	2	61.2 x 29.9 x 35.5	56.5 x 24.9 x 24.2	5	3/8	331 lbs
YUC-72	3	71.7 x 29.9 x 35.5	67.0 x 24.9 x 24.2	5	1/2	380 lbs

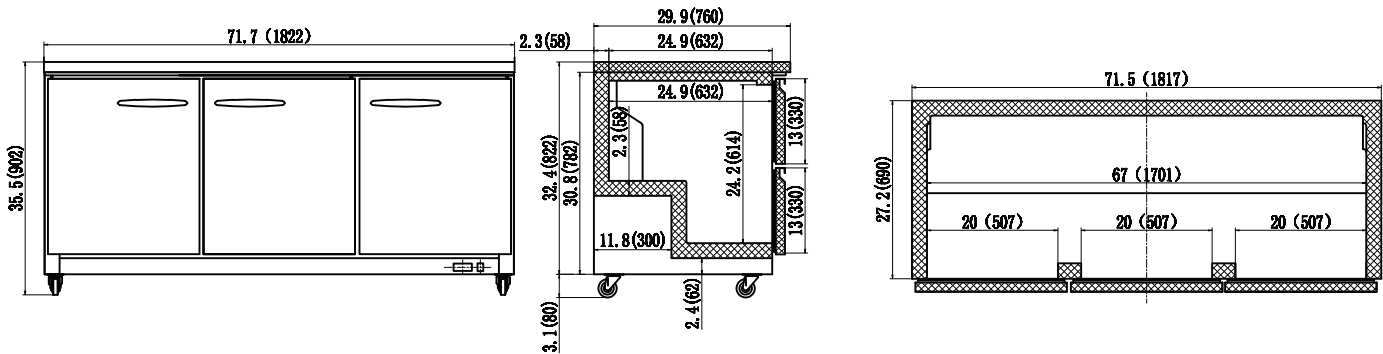
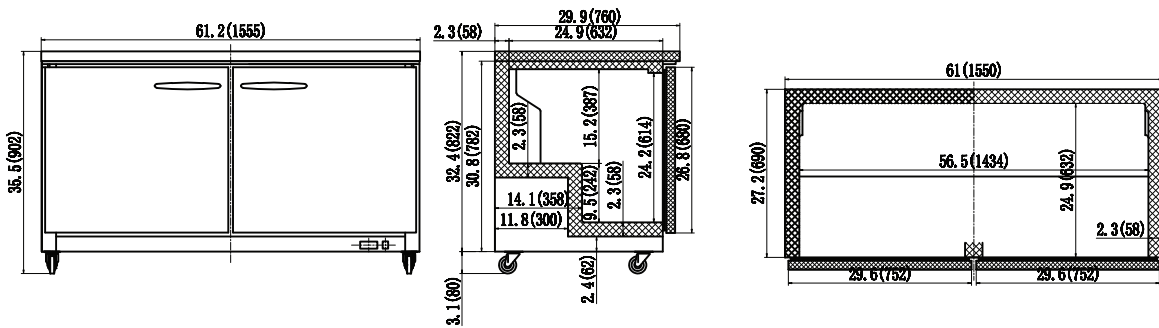
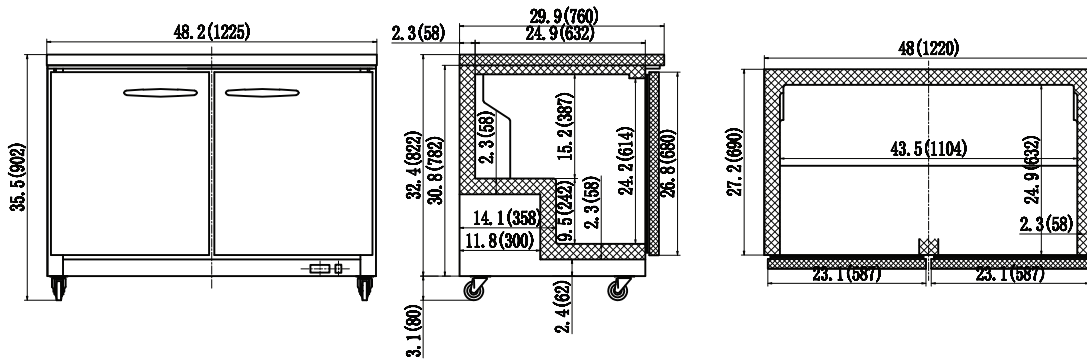
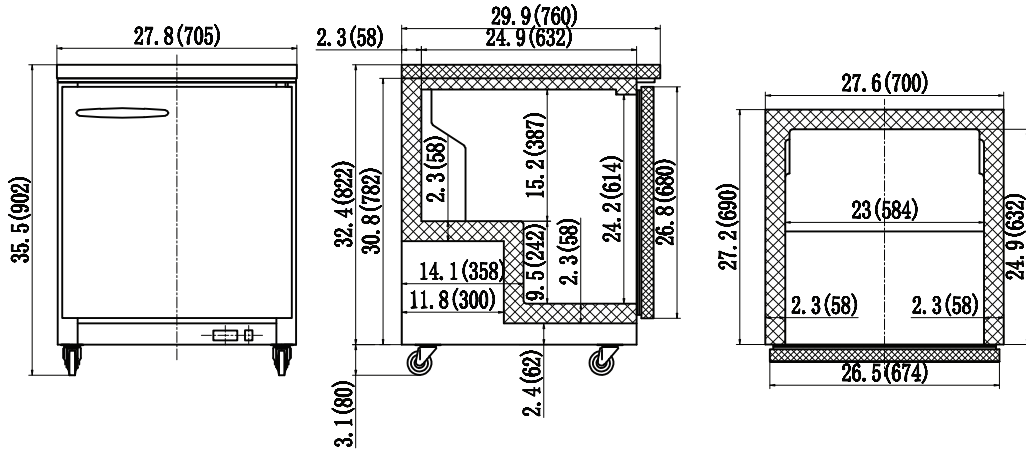
CERTIFIED TO ANSI/NSF-7 STANDARDS



203.575.0111 | restaurantcity.com
info@restaurantcity.com
84 Progress Ln, Waterbury, CT 06705



UNDER COUNTER REFRIGERATORS



Dimensions in inches (mm)