

Curved Glass Deli Case YKDG Series

Features

- Stainless steel SS304 exterior or Black
- with coated metal interior trim
- Digital temperature control with 35°-41°F holding range
- Equipped with 4 casters (2 with brakes)
- Comes standard with 2 adjustable shelves
- Double-glazed, tempered safety glass curved front and sides
- Auto defrost system for front glass and rear door frame
- Gravity coil refrigeration system delivers reliable preservation of food products
- LED lighting on sides and top
- Slide-out condensing unit for easy maintenance
- Ozone friendly R290 refrigerant
- ETL approved (conforms to UL-471 and NSF-7)
- DOE2017 energy standard compliant
- 1 YEAR PARTS AND LABOR WARRANTY
- 4 YEAR ADDITIONAL COMPRESSOR PARTS ONLY

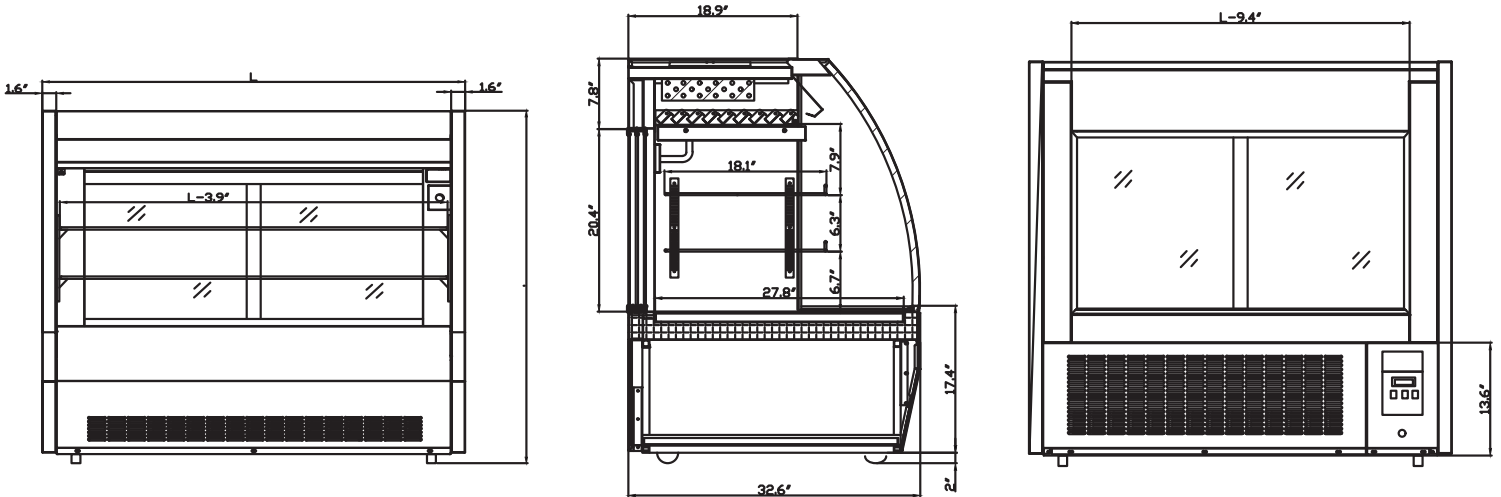


Nema 5-15P
Dedicated
Circuit

Project Name:	
Location:	
Item:	Qty:
Model:	



Curved Glass Deli Case YKDG Series



Model	Doors	Capacity (cu.ft)	Shelves	Cabinet Dimesions (Inches / mm)			HP	Voltage	Amps	Cord Length (ft.)	Net Weight (lbs. / kg)
				W	D	H					
YKDG-36 SS OR BLK	2	12	2	35.6" 900	32.5" 825	48.2" 1150	1/3	110V/60Hz	4.50	6	410 186
YKDG-48 SS OR BLK	2	18	2	47.7" 1200	32.5" 825	48.2" 1150	1/3	110V/60Hz	5.00	6	496 225
YKDG-60 SS OR BLK	2	21.5	2	59" 1500	32.5" 825	48.2" 1150	3/5	110V/60Hz	5.80	6	573 260
YKDG-72 SS OR BLK	2	26.4	2	70.9" 1800	32.5" 825	48.2" 1150	3/4	110V/60Hz	6.40	6	650 295

The refrigerated YKDG series cases are engineered to operate in locations not exceeding 80°F and 55% relative humidity.