



## Gas Griddles-Manual Control

**Model Numbers: RCMG24, RCMG36, RCMG48**

Sturdy construction, continuous output, and operator friendly controls.  
Meets all commercial cooking demands!

Available in 24", 36" & 48" widths, the continuous 30,000 BTU Output per burner provides even heat to the 3/4" thick polished steel griddle plate. Adjustable manual gas controls provide easy and safe operations. Pilot light can be lit from the front for ease of use.

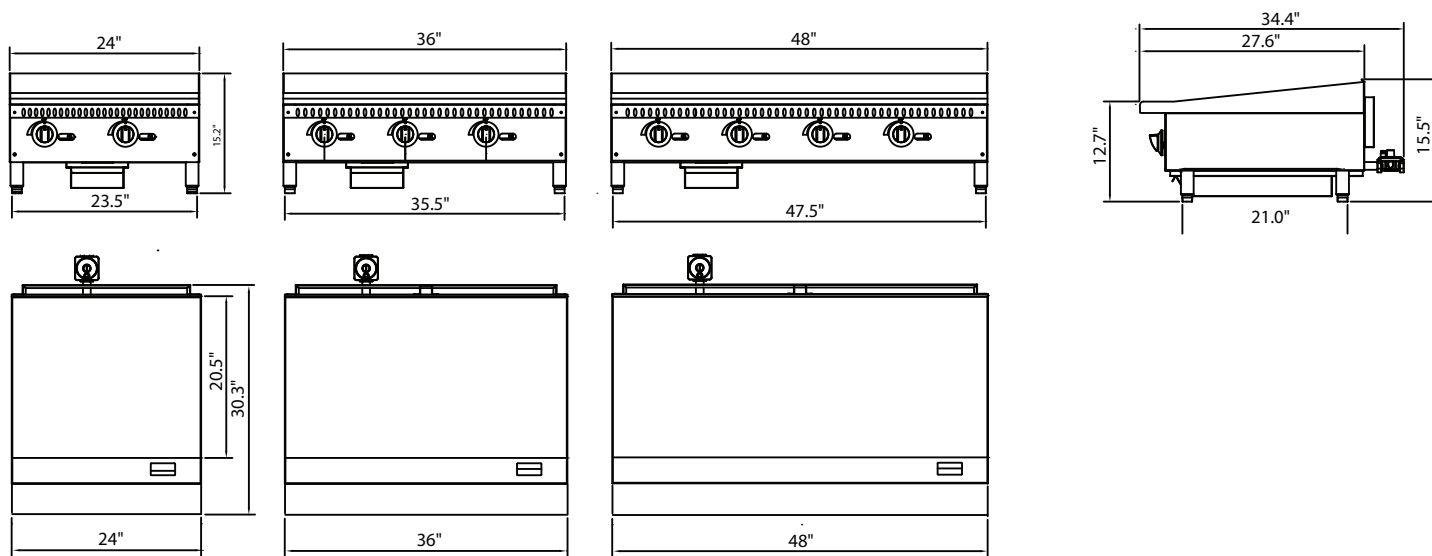


### FEATURES

- "U" shape burners provide even heat distribution every 6"
- Adjustable pilot light lit from front of unit
- 30,000 BTU / burner
- Gas control knob every 12"
- Stainless steel cabinet
- Double wall sides
- Widths: 24", 36", & 48"
- "Cool-to-the-touch" front s/s edge
- Back and side splash guards
- Flue located on back of unit for ample ventilation
- Adjustable stainless steel legs
- Each Griddle shipped standard Natural gas, LP conversion kit included
- Easy to remove 3-1/4" grease drawer with "weep hole" hole and baffle
- Grease trough is standard 4" spatula width
- Griddle is fully serviceable from the front
- 1 year parts & labor warranty



# Manual Griddles - Product Specifications



## DIMENSIONS & SHIPPING INFORMATION

**Please Note:** These items are shipped on a pallet and are crated for protection during LTL shipment. Overall Dimensions include the gas regulator located on the back of the unit.

Model	Footprint	Overall Dimensions	Weight	Shipping Dimensions	Ship Wt.
<b>RCMG24</b>	21.0"L x 23.5"W (53.4 cm x 58.7 cm)	34.4"L x 24"W x 15.5"H (87.3 cm x 61.0 cm x 39.4 cm)	144 lbs (71.0 kg)	36.2" L x 28.3" W x 19.3" H (92 cm x 72 cm x 49 cm)	196 lbs (89.0 kg)
<b>RCMG36</b>	21.0"L x 35.5"W (53.4 cm x 90.2 cm)	34.4"L x 36"W x 15.5"H (87.3 cm x 91.4 cm x 39.4 cm)	202 lbs (100.0 kg)	36.2" L x 40.6" W x 19.3" H (92 cm x 103 cm x 49 cm)	284 lbs (129.0 kg)
<b>RCMG48</b>	21.0"L x 47.5"W (53.4 cm x 120.6 cm)	34.4"L x 48"W x 15.5"H (87.3 cm x 122.0 cm x 39.4 cm)	255 lbs (126.0 kg)	36.2" L x 52.8" W x 19.3" H (92 cm x 134 cm x 49 cm)	355 lbs (161.0 kg)

## SPECIFICATIONS

### GAS REQUIREMENTS:

- Natural Gas or Liquid Propane (LP) Gas main supply required
- All units ship ready for Natural Gas. A LP conversion kit is included for converting to LP Gas. In order to avoid any warranty issues, conversion of your unit from Natural Gas to LP must be completed by an authorized service agent.

- **3/4" NPT gas connection**
- **30,000 BTUs (per burner)**
- **One pilot light per burner**
- **Natural gas 4" W.C. , LP gas 10" W.C.**

Model	Cooking Area	Controls	Number of Burners	BTUs (per burner)	Total BTUs
<b>RCMG24</b>	20.5"D x 24"W	Manual	2	30,000	60,000
<b>RCMG36</b>	20.5"D x 36"W	Manual	3	30,000	90,000
<b>RCMG48</b>	20.5"D x 48"W	Manual	4	30,000	120,000



NSF/ANSI 4