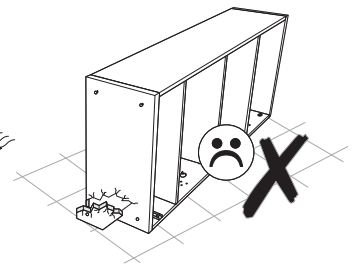
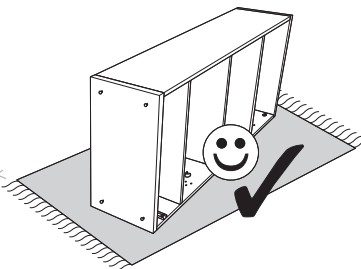
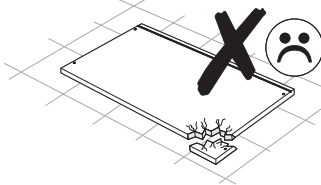
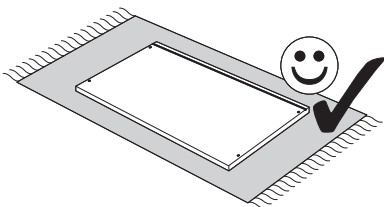
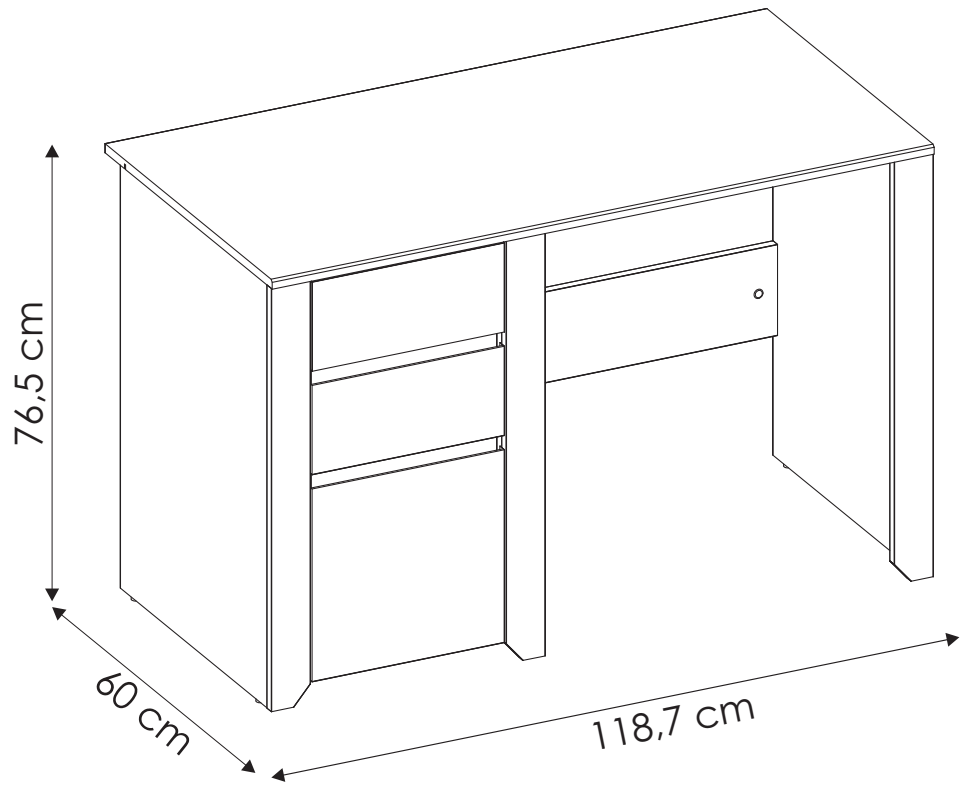
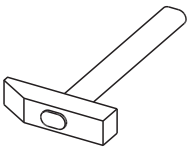
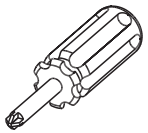
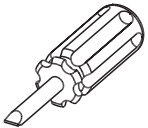
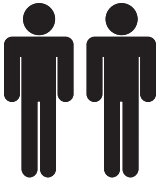
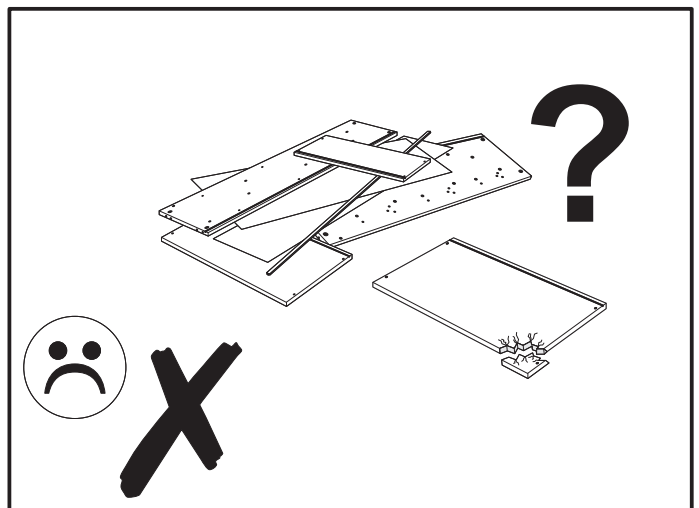
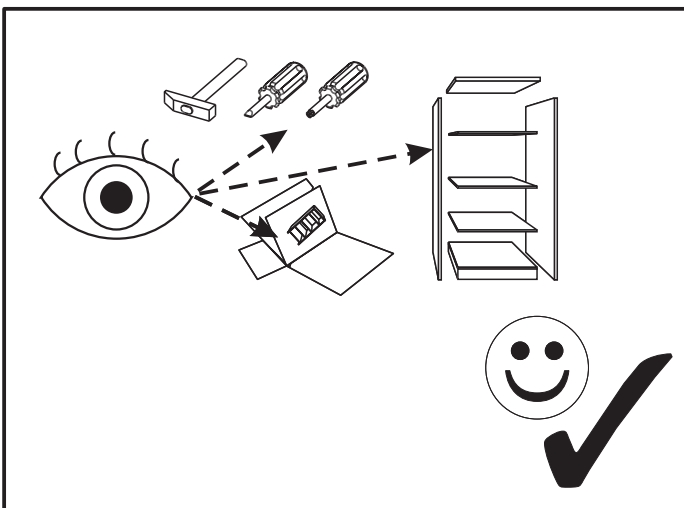
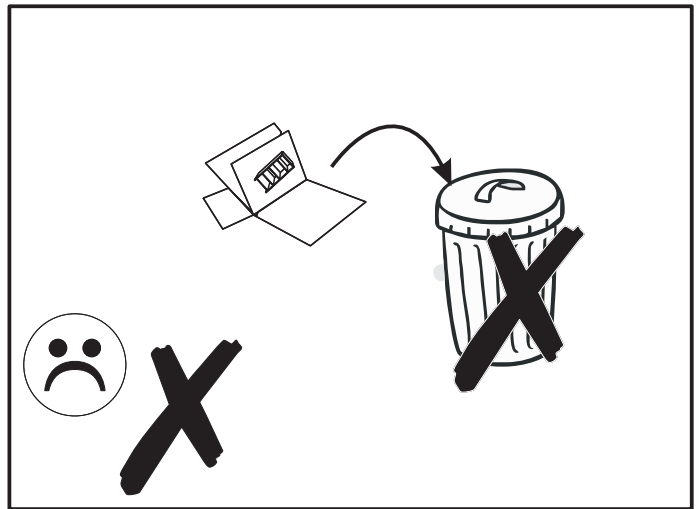
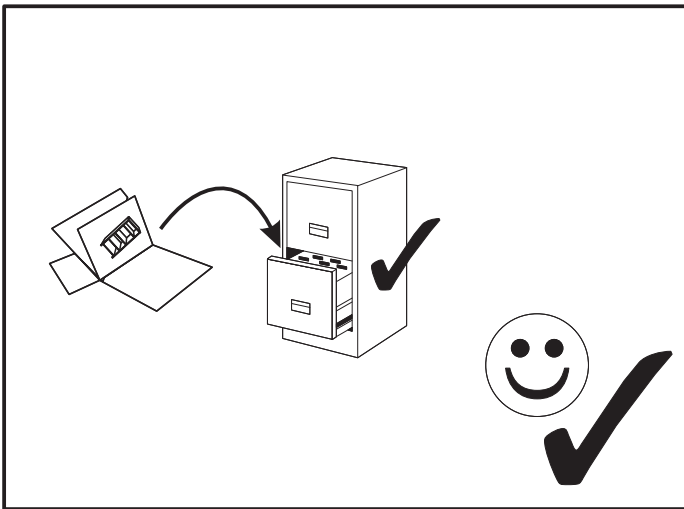
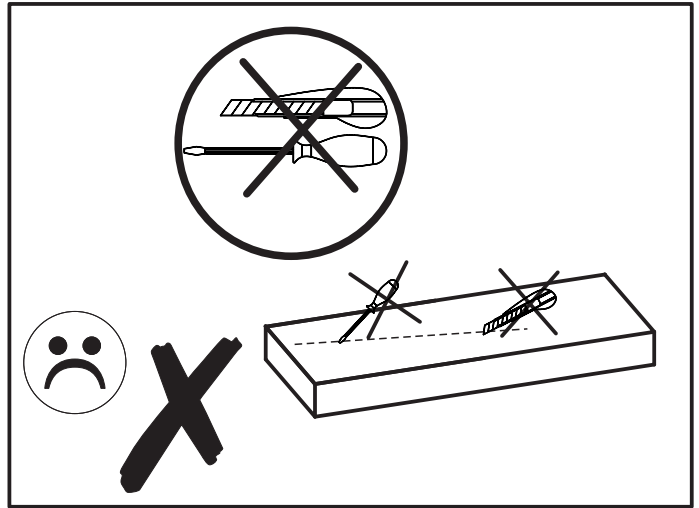
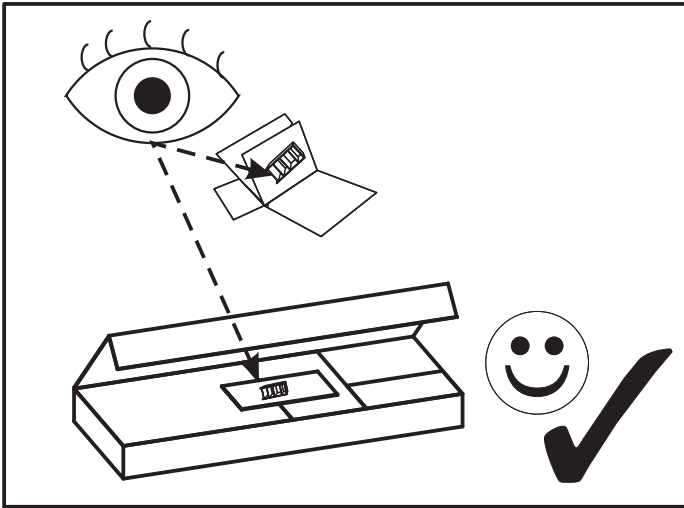








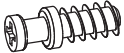



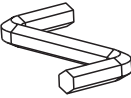

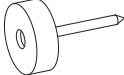

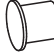


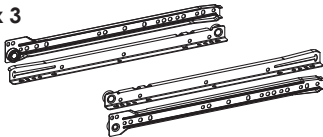
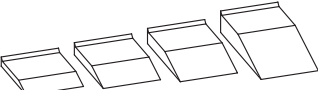
# 4218062

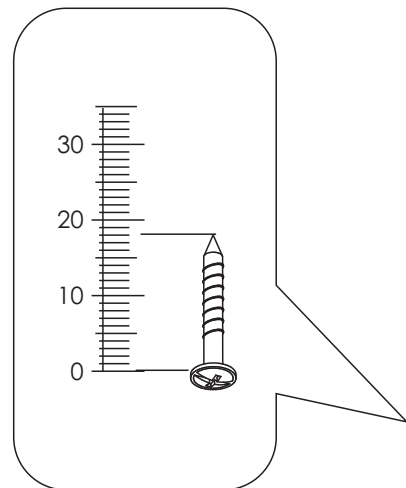
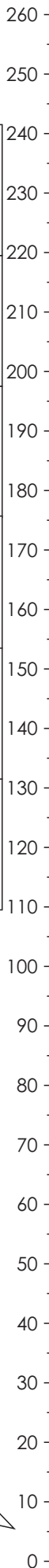




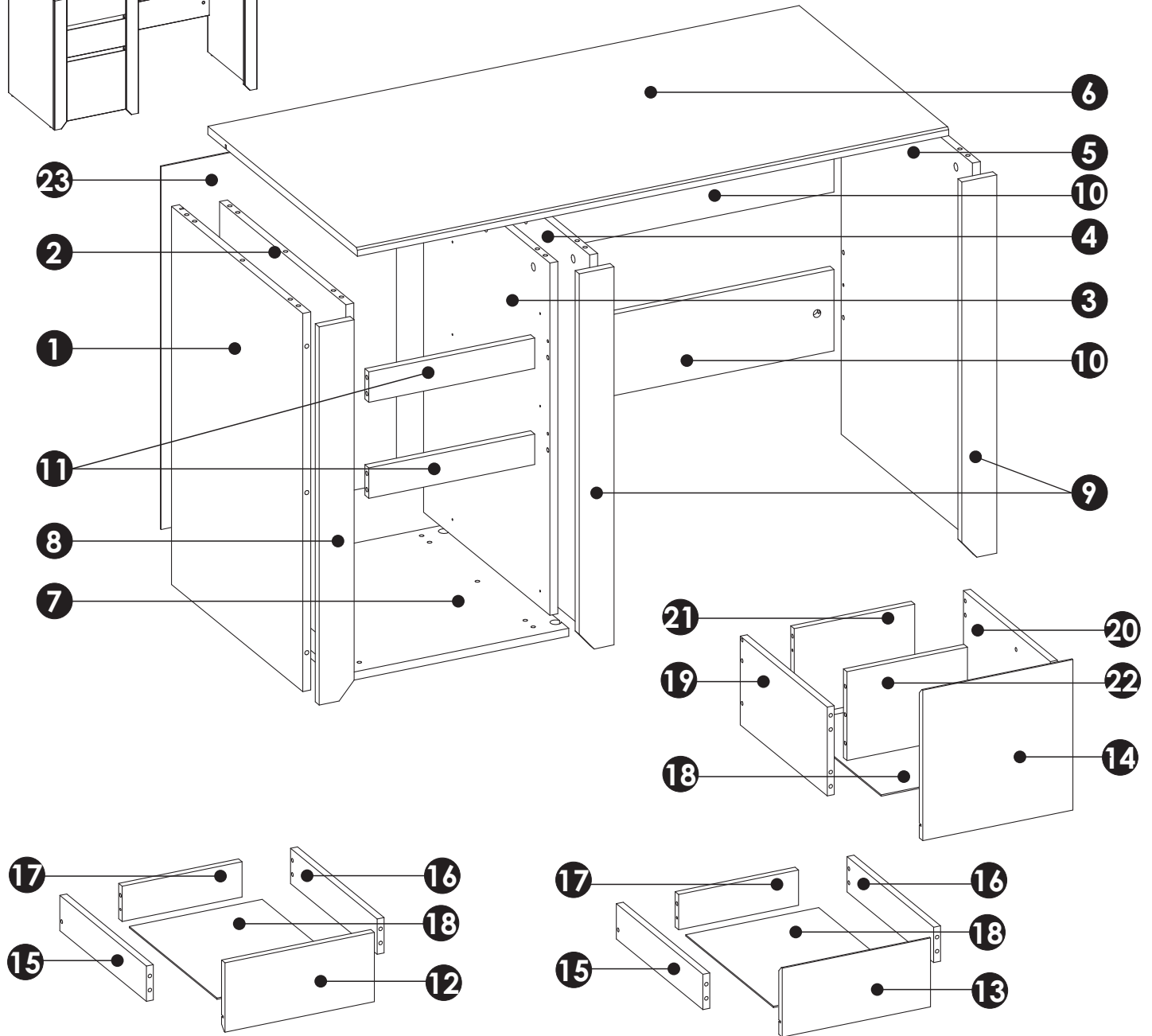
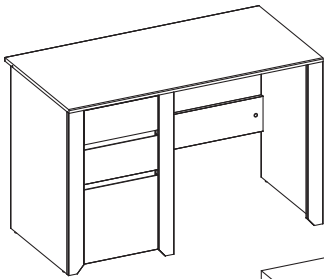
# ANGEL 80

MM

<p><b>A1</b> x 46 <math>\varnothing 8 \times 35</math> mm</p> 	<p><b>C2</b> x12 5 x 13 mm</p> 	<p><b>E0</b> x 42</p> 
<p><b>E1</b> x 42 <math>\varnothing 15 \times 12</math> mm</p> 	<p><b>E2</b> x 4</p> 	<p><b>F1</b> x42</p> 
<p><b>F2</b> x 4</p> 	<p><b>G0</b> x 14</p> 	<p><b>G1</b> x14 <math>\varnothing 7 \times 50</math> mm</p> 
<p><b>J1</b> x 18 3 x 20mm</p> 	<p><b>M</b> x 1</p> 	<p><b>N1</b> x 20 3 x 16 mm</p> 
<p><b>O2</b> x 6</p> 	<p><b>P0</b> x 2 <math>\varnothing 5</math></p> 	<p><b>P9</b> x 4 <math>\varnothing 8</math></p> 
<p><b>R4</b> x8</p> 	<p><b>R10</b> x 6</p> 	<p><b>T4</b> x 3</p> 
<p><b>Z</b> x 1</p> 		



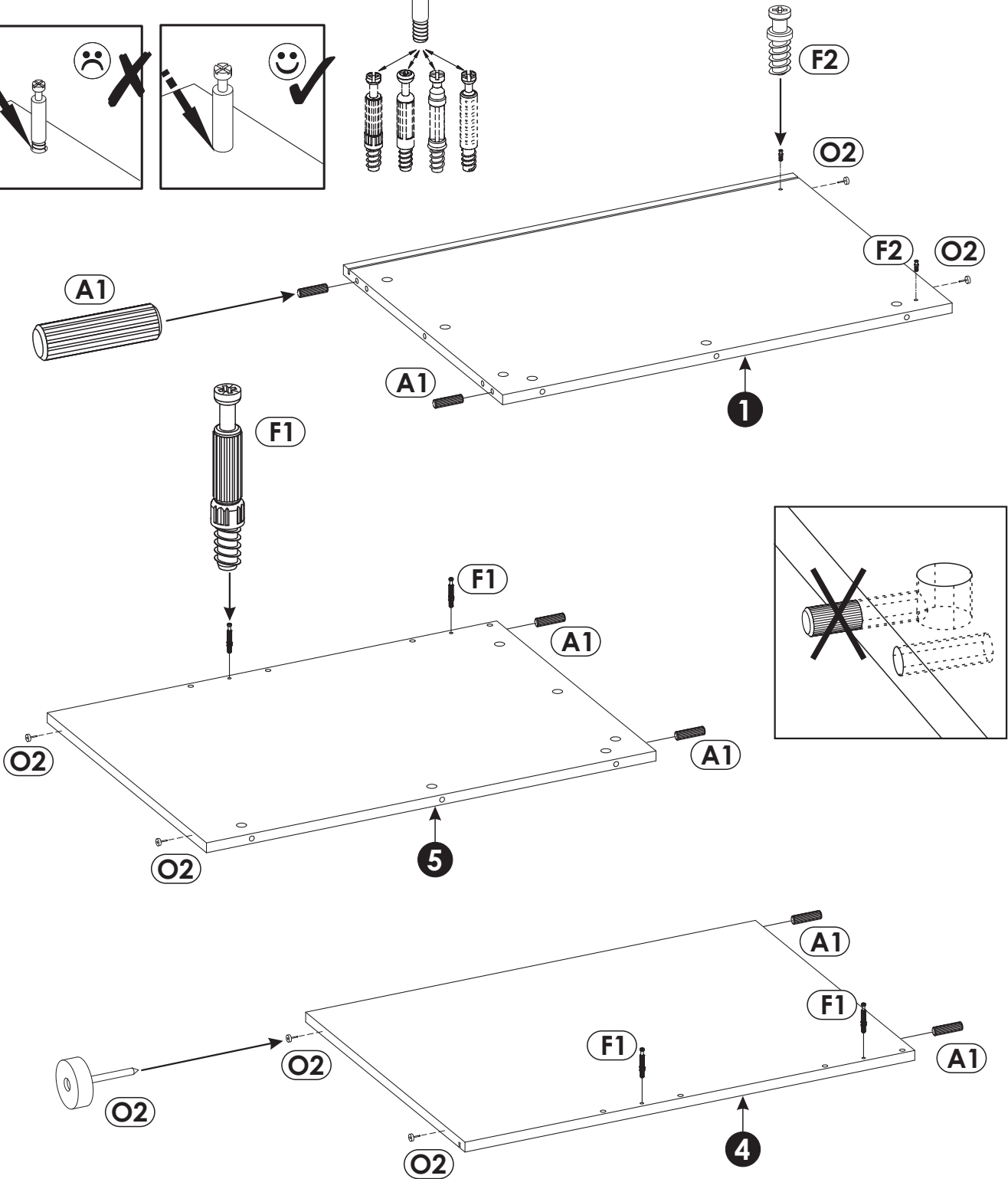
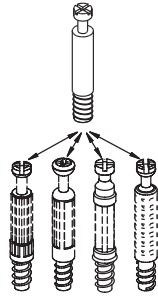
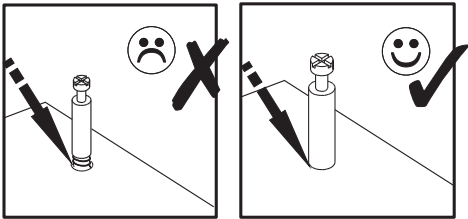
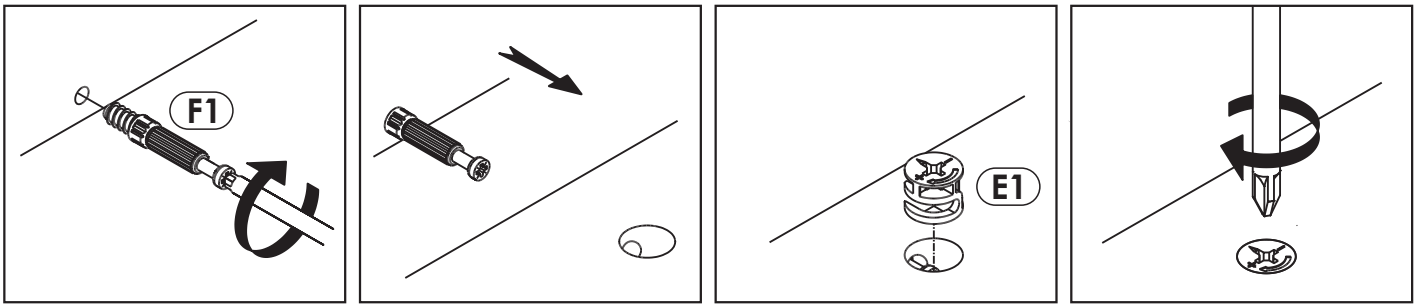
# ANGEL 80



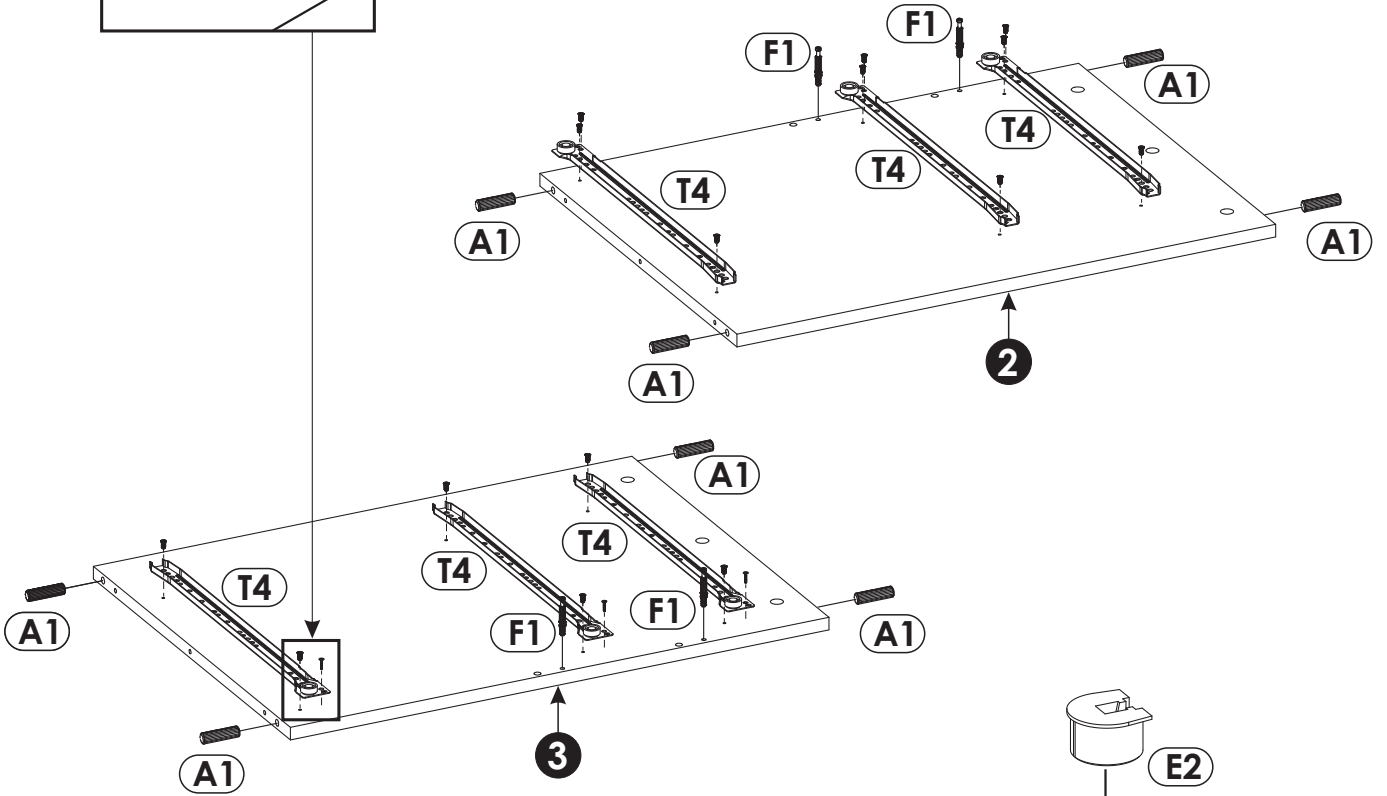
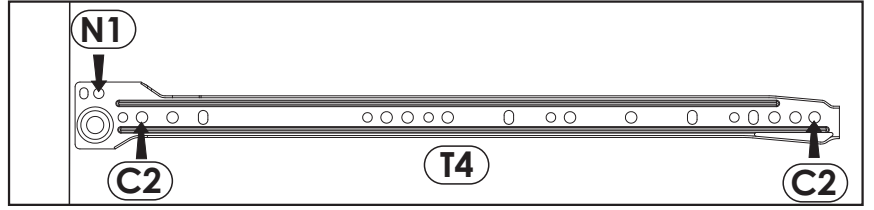
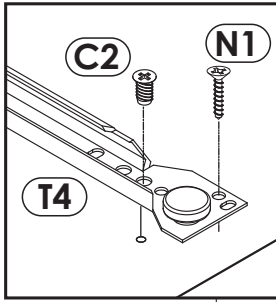
<b>1</b>	744	529	16	x1	1/2
<b>2</b>	693	509	16	x1	2/2
<b>3</b>	693	509	16	x1	2/2
<b>4</b>	744	529	16	x1	1/2
<b>5</b>	744	529	16	x1	1/2
<b>6</b>	1187	600	16	x1	2/2
<b>7</b>	509	458	16	x1	2/2
<b>8</b>	744	70	16	x1	1/2

<b>9</b>	744	70	16	x2	1/2
<b>10</b>	680	160	16	x2	1/2
<b>11</b>	333	60	16	x2	2/2
<b>12</b>	345	157	16	x1	1/2
<b>13</b>	345	157	16	x1	1/2
<b>14</b>	345	339	16	x1	1/2
<b>15</b>	400	80	16	x2	2/2
<b>16</b>	400	80	16	x2	2/2

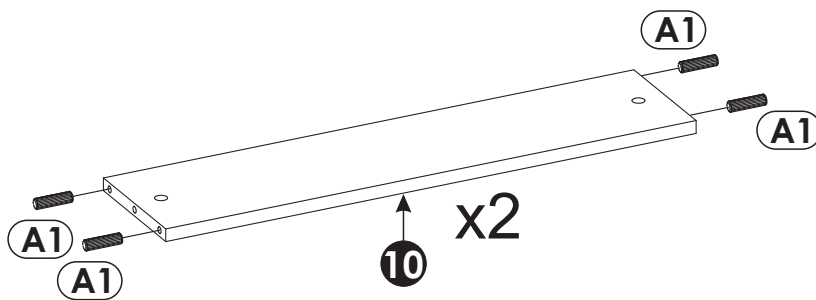
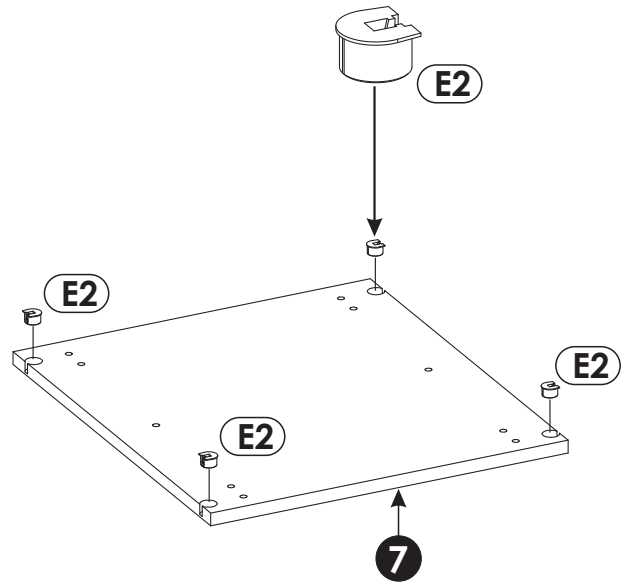
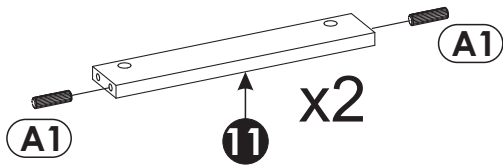
<b>17</b>	277	80	16	x2	2/2
<b>18</b>	405	307	3	x3	1/2
<b>19</b>	400	200	16	x1	2/2
<b>20</b>	400	200	16	x1	2/2
<b>21</b>	277	200	16	x1	1/2
<b>22</b>	277	200	16	x1	1/2
<b>23</b>	714	472	3	x1	1/2



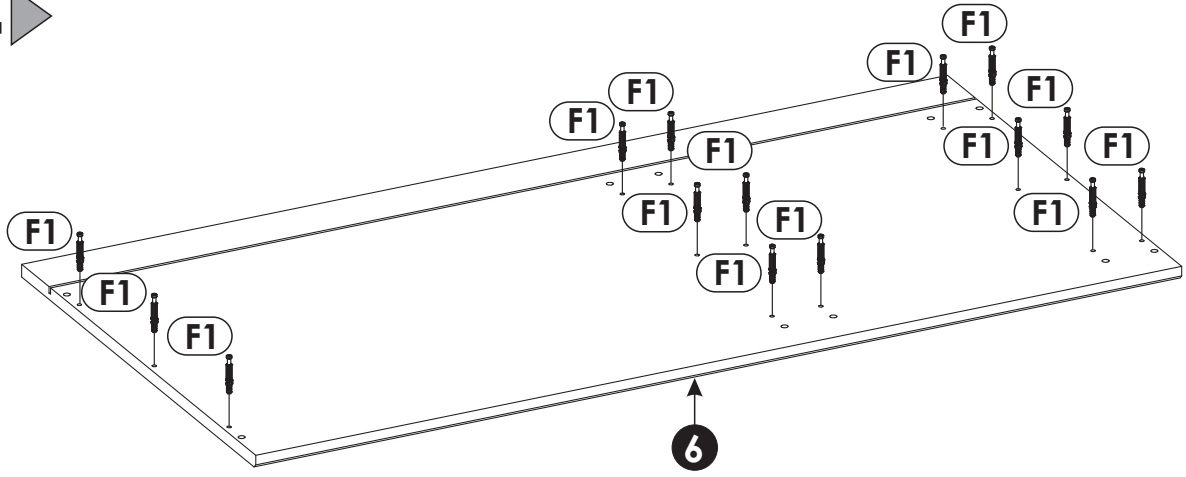
2 ▶



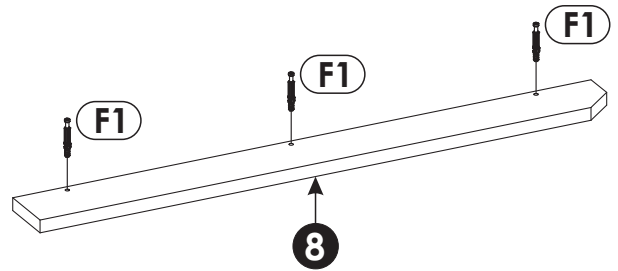
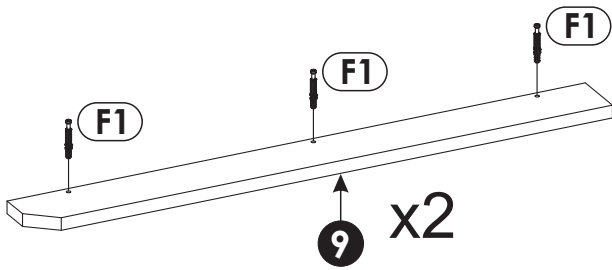
3 ▶



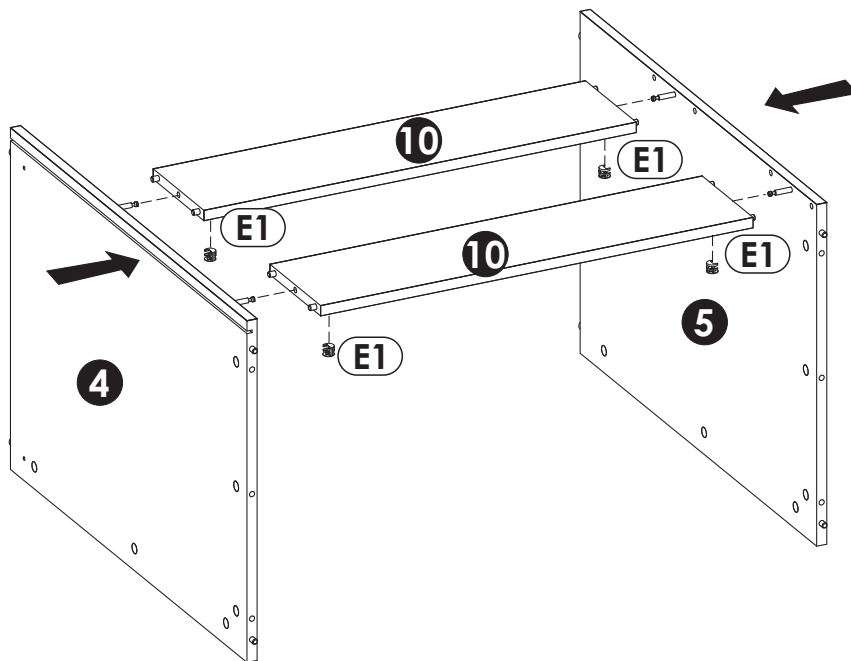
4 ▶



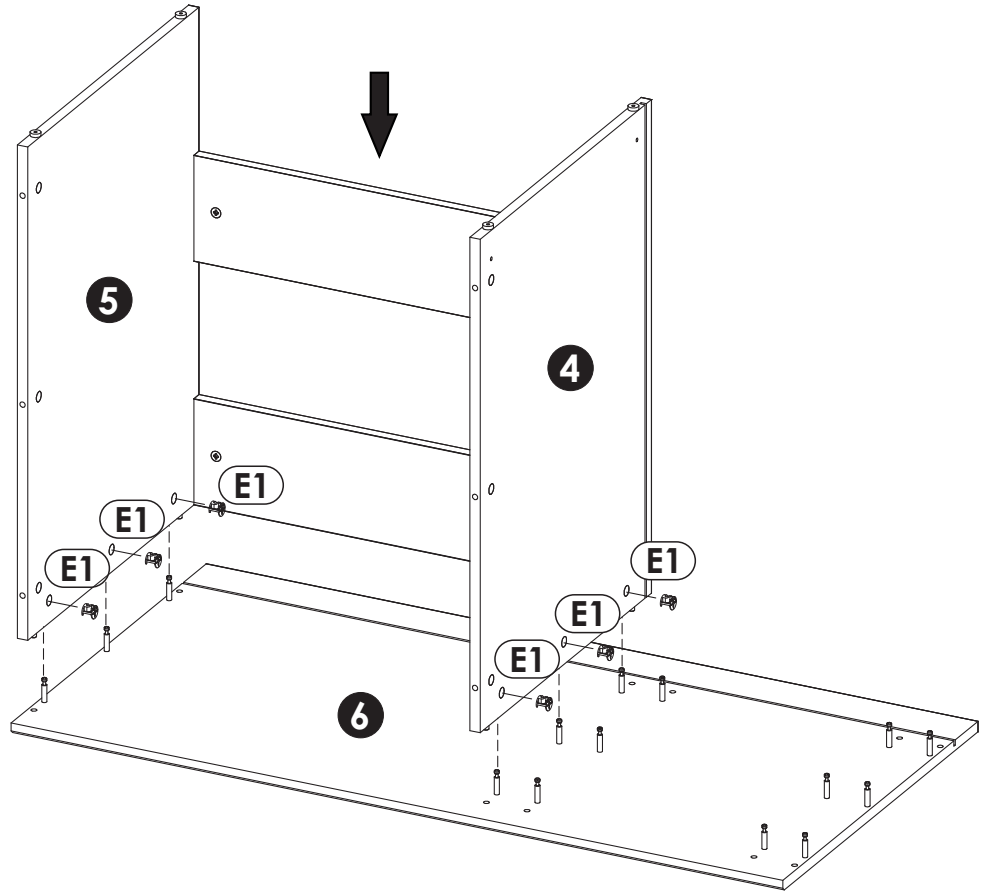
5 ▶



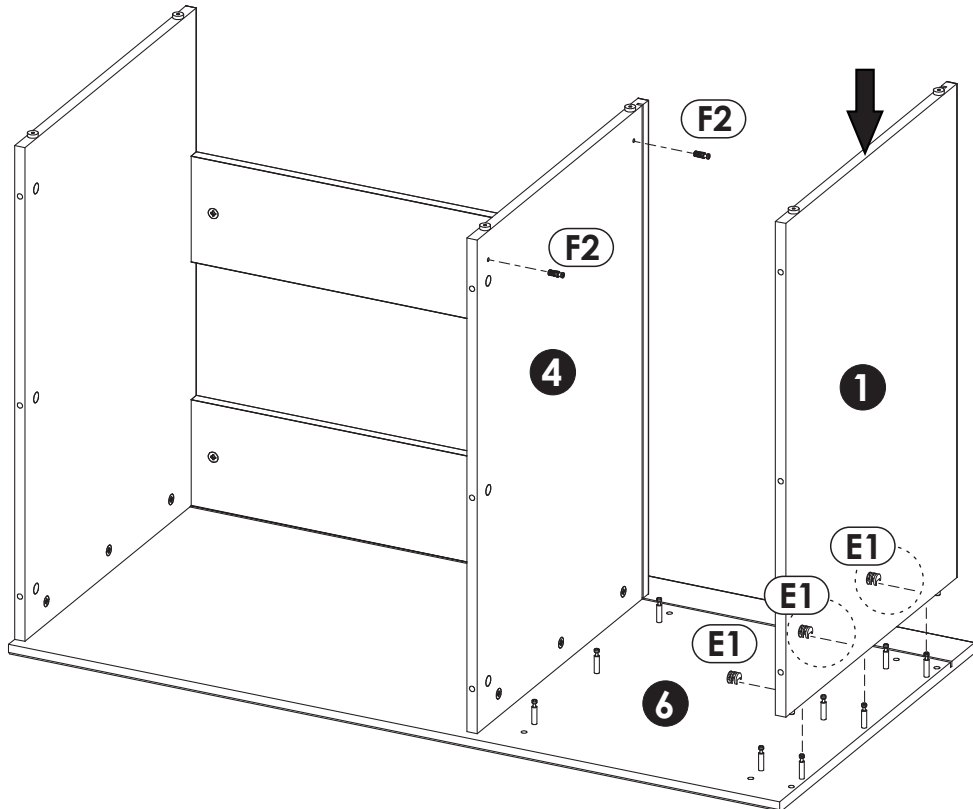
6 ▶



7 ▶

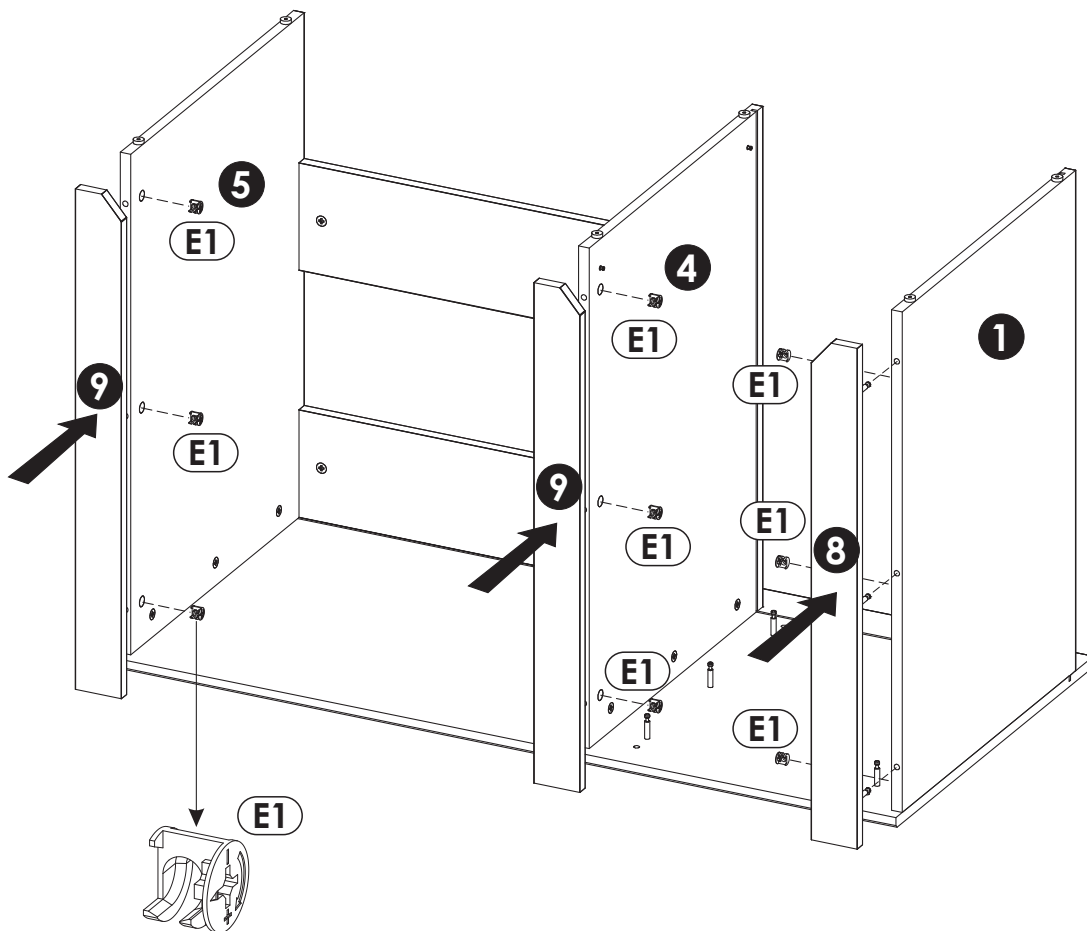


8 ▶

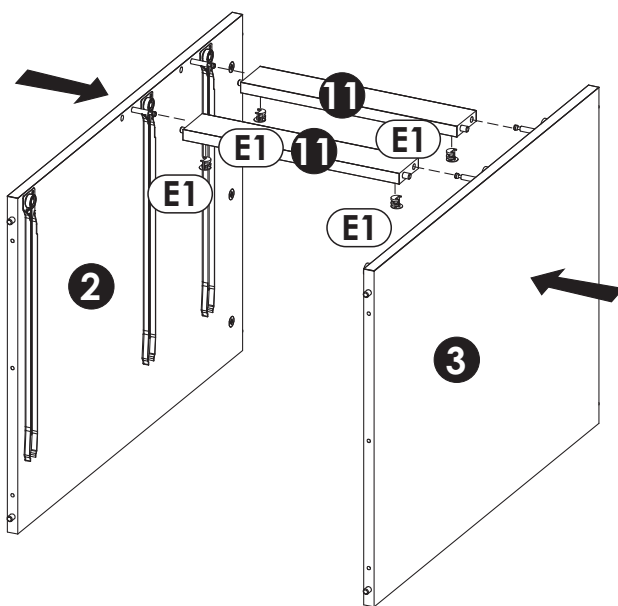




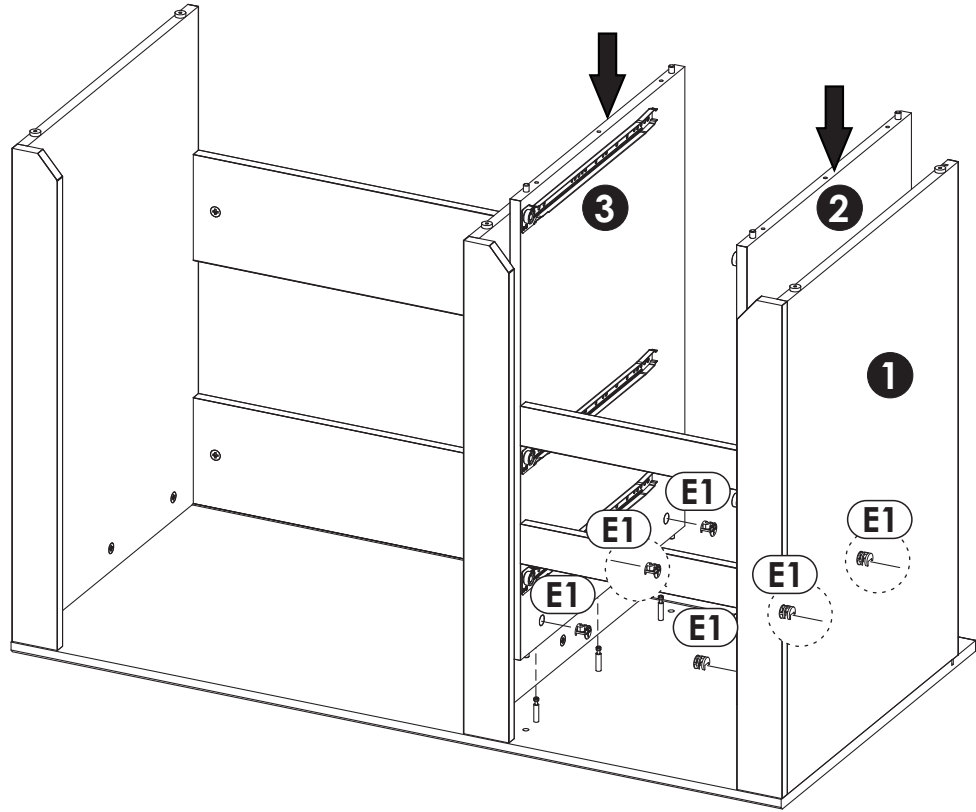
9 ▶



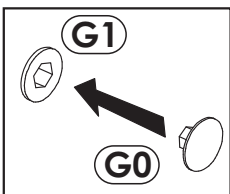
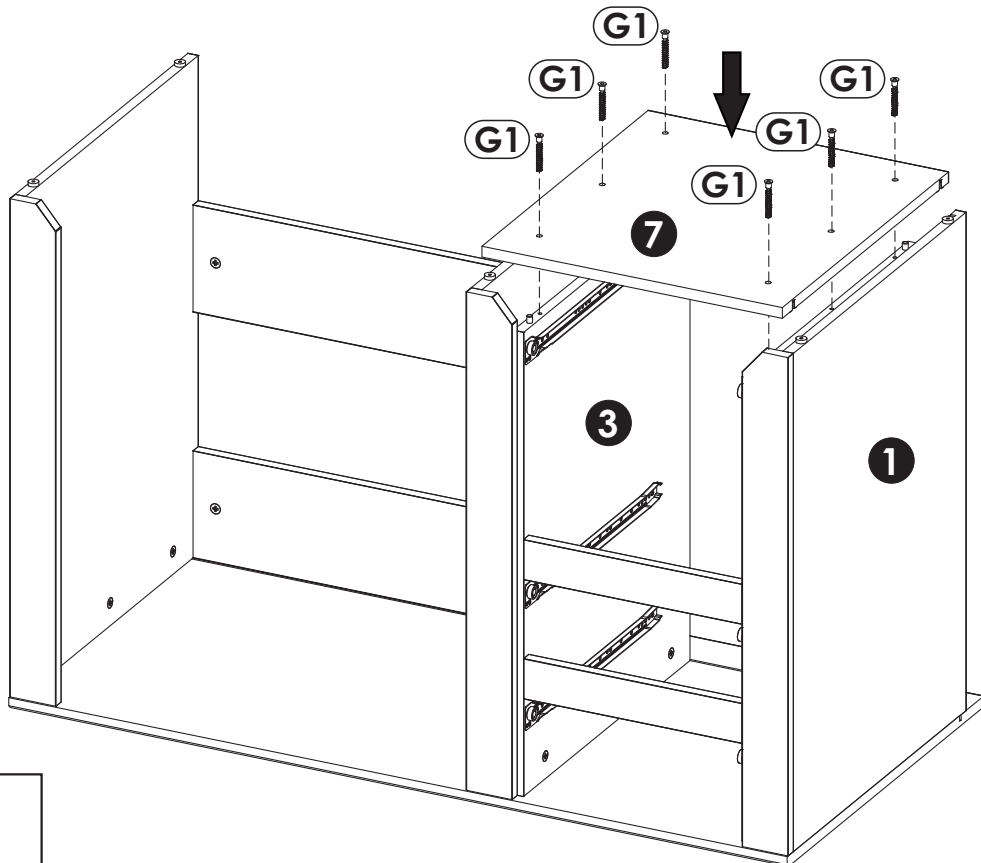
10 ▶



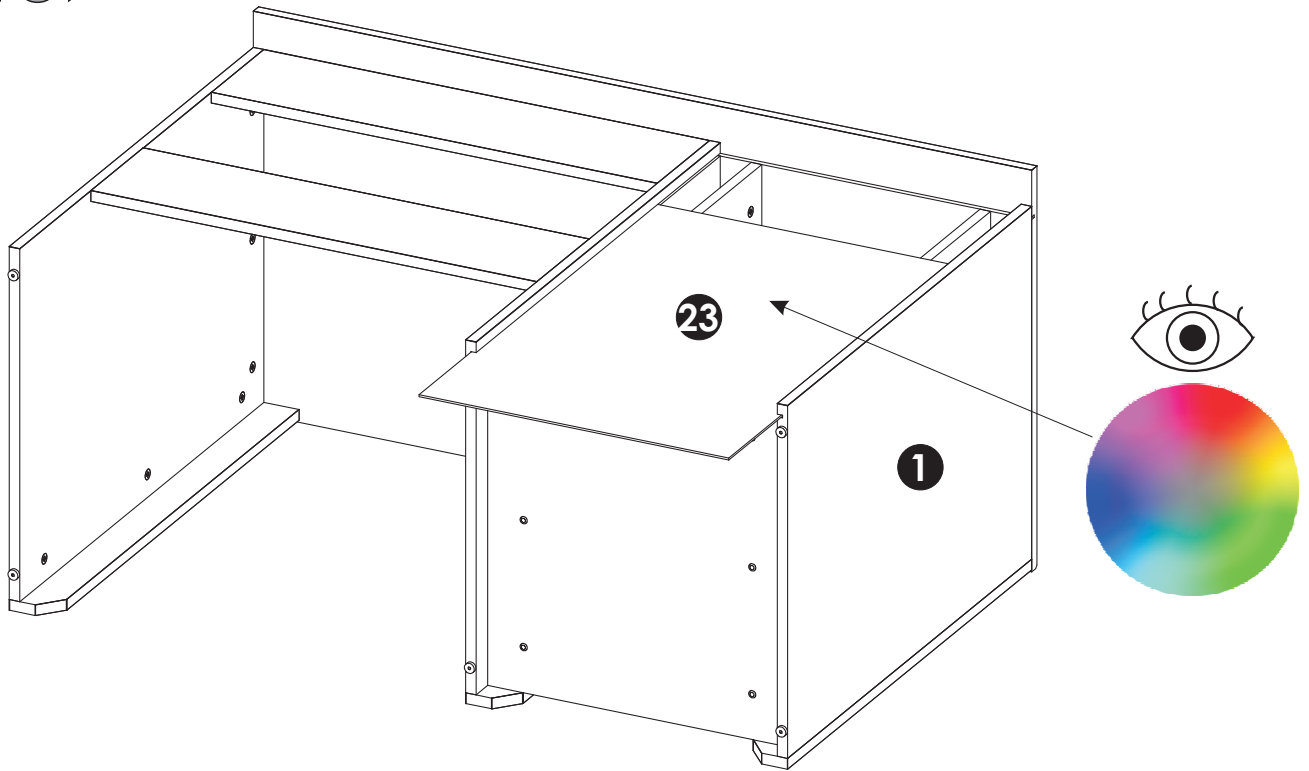
11 ▶



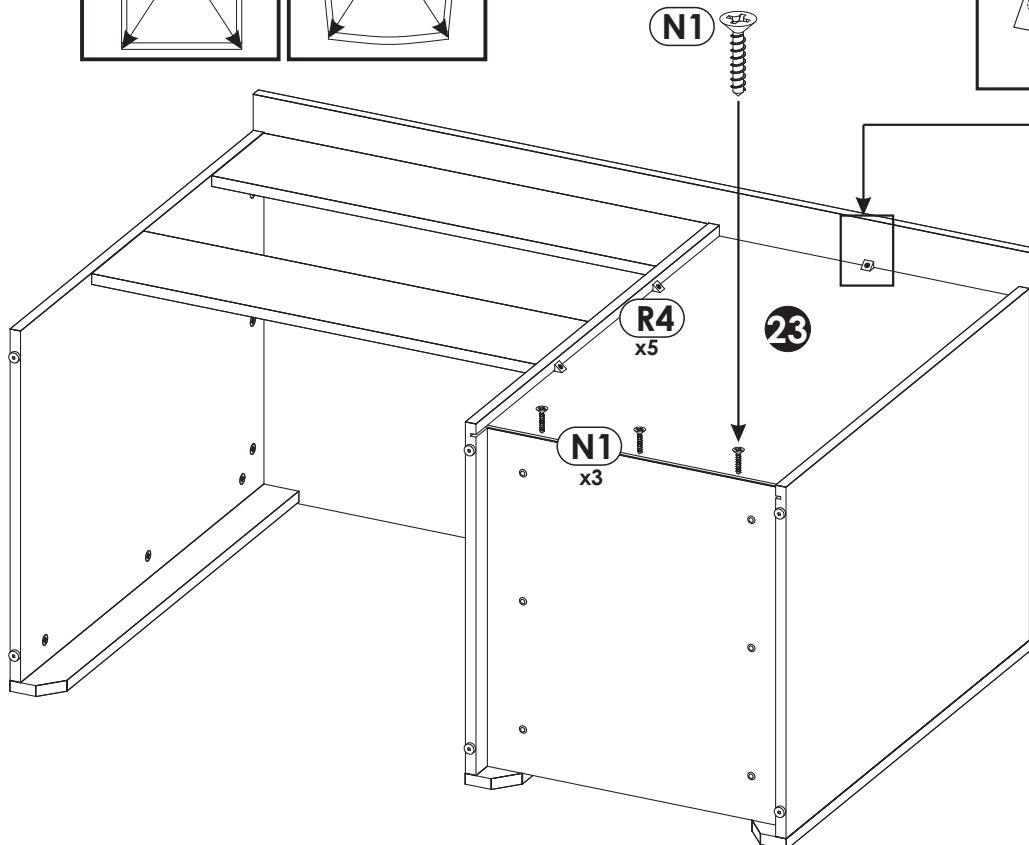
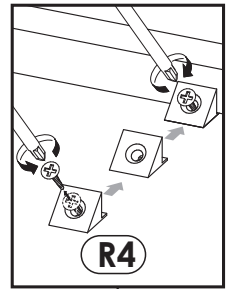
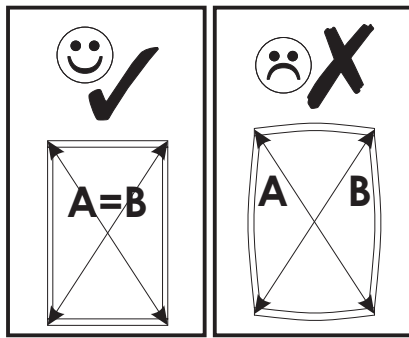
12 ▶



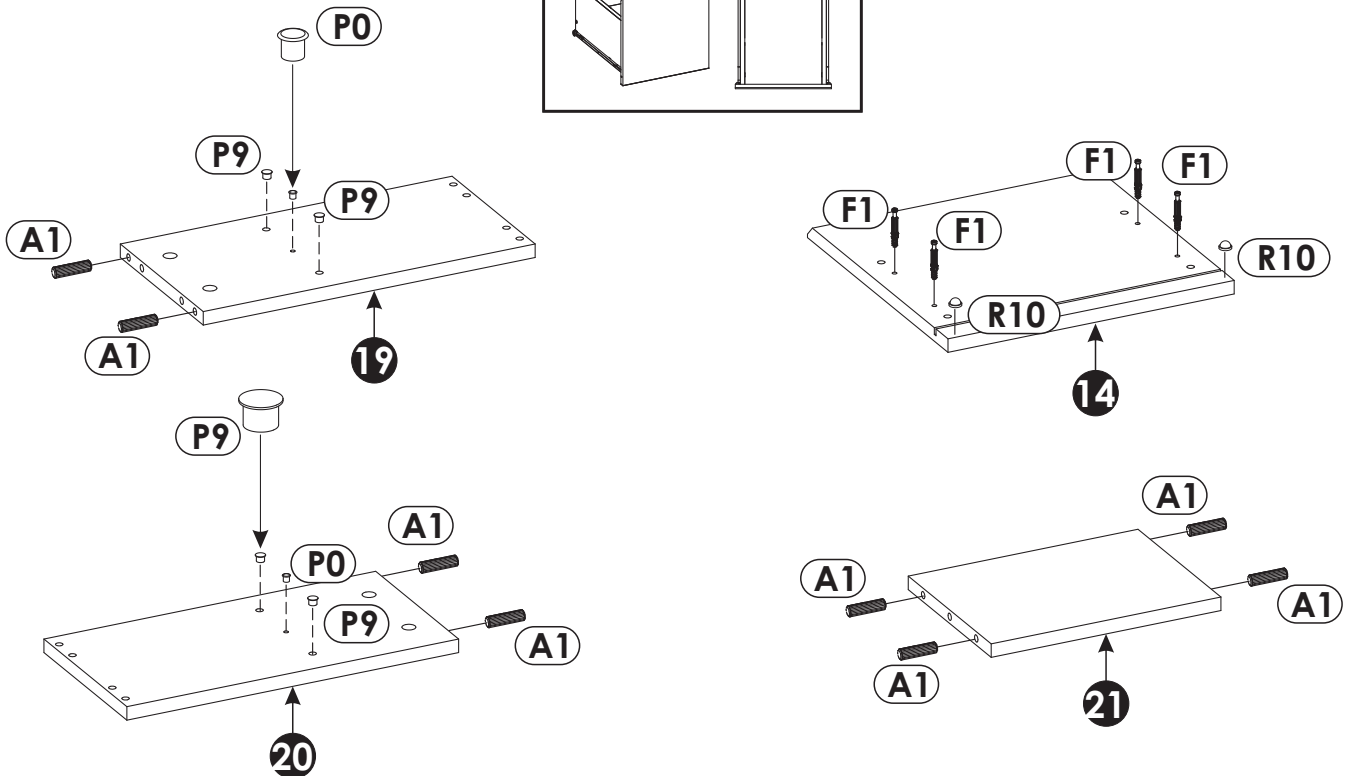
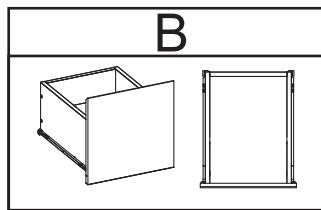
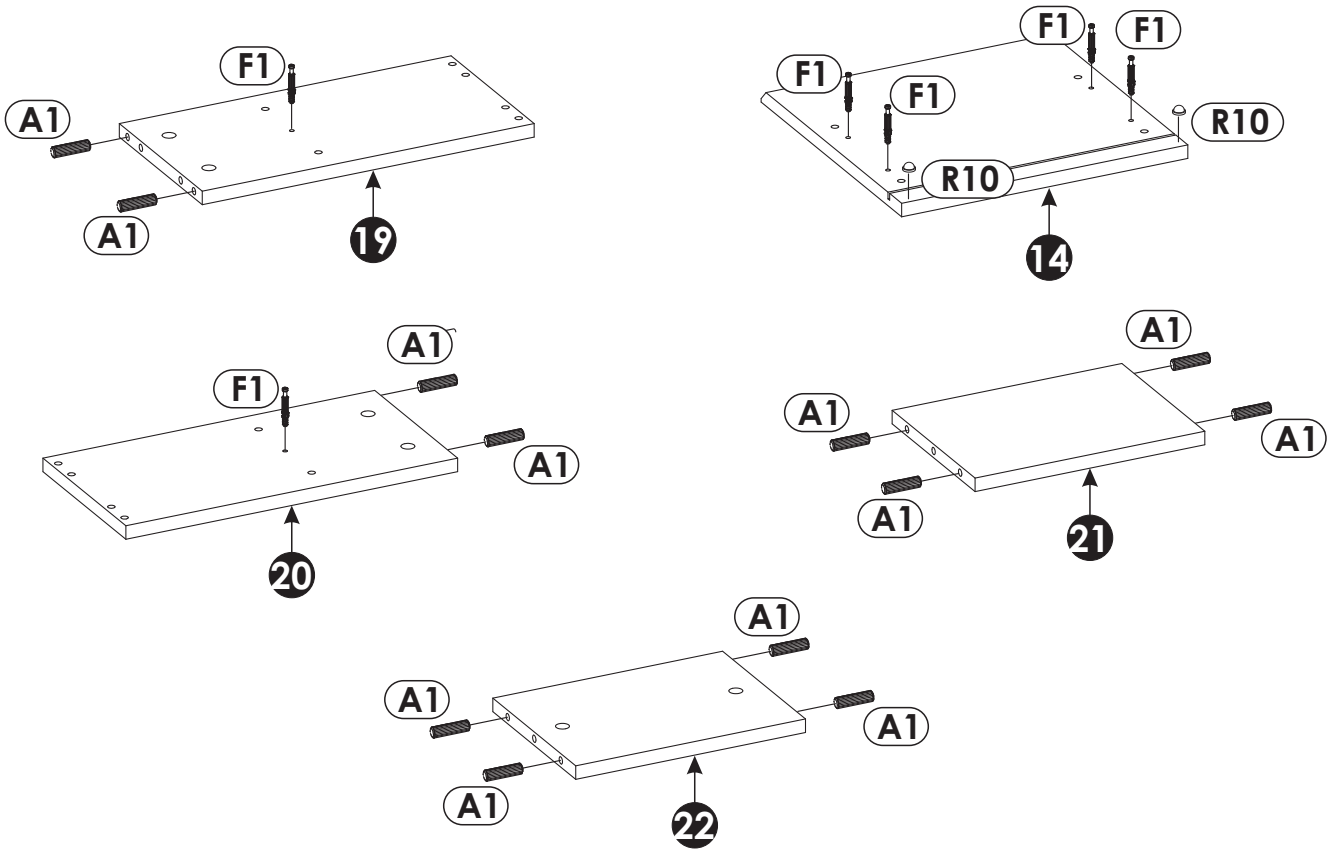
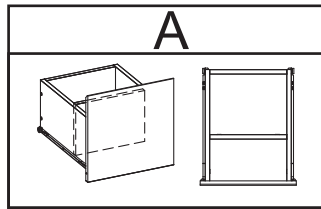
13 ▶



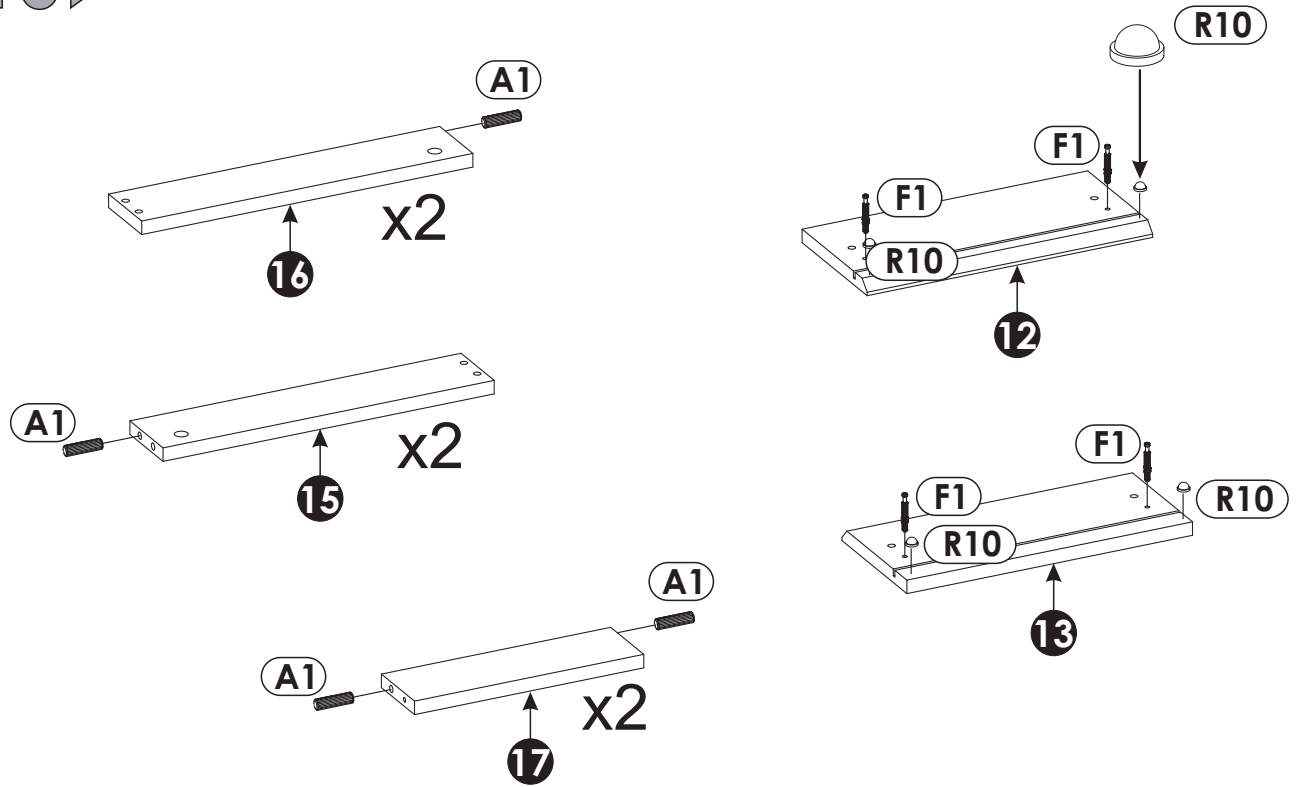
14 ▶



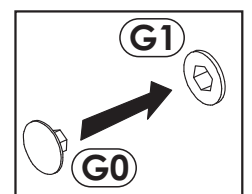
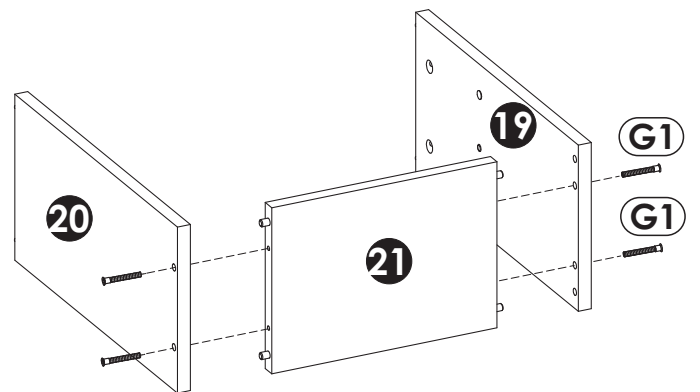
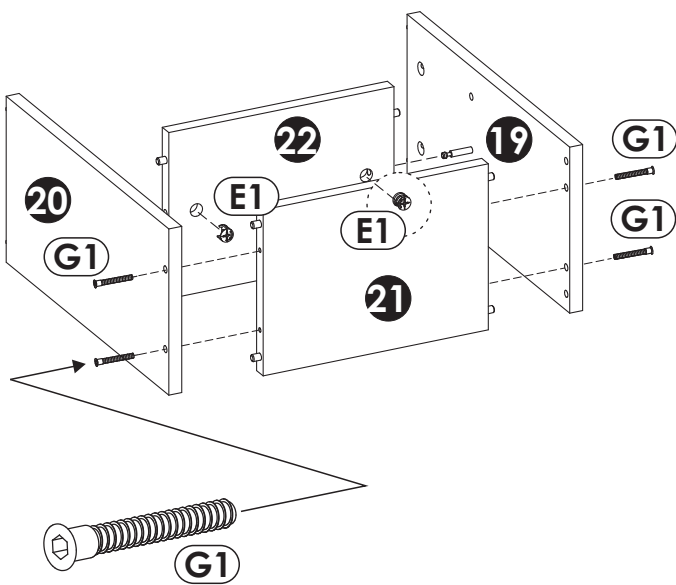
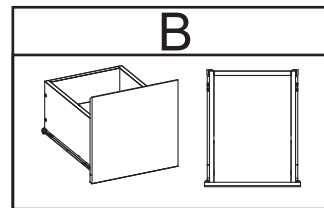
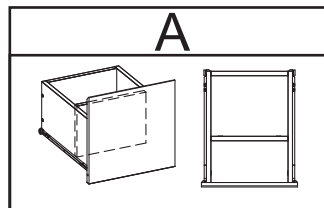
15▶



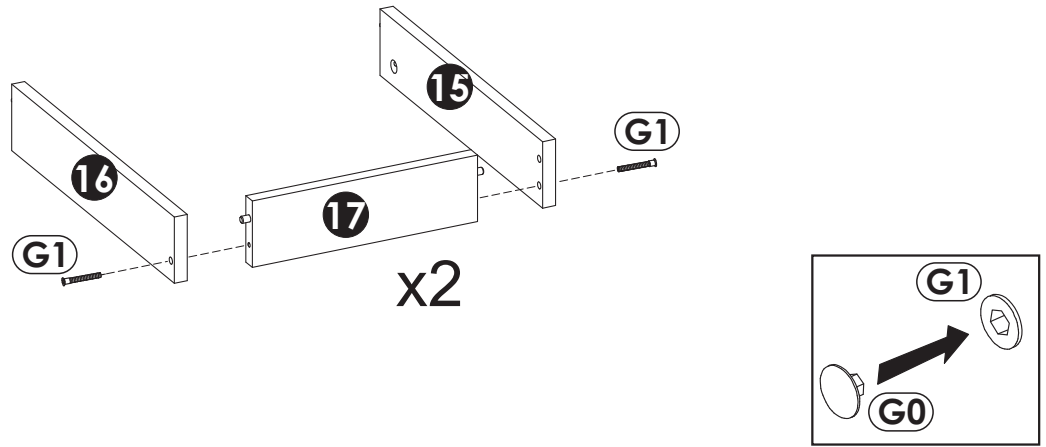
# 16 ▶



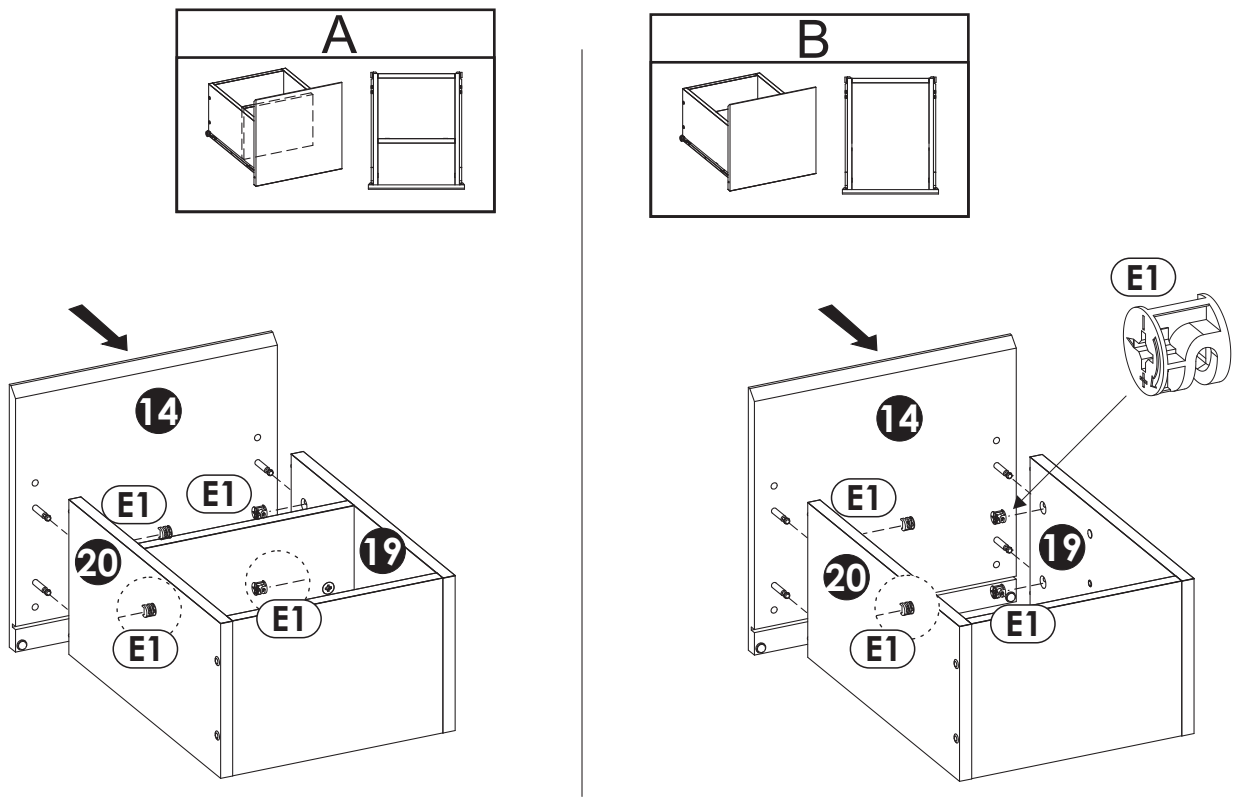
# 17 ▶



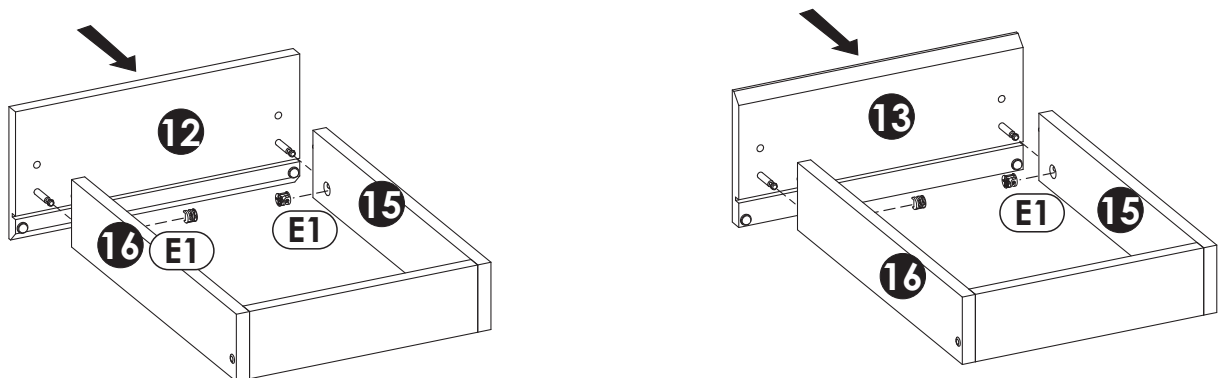
18▶



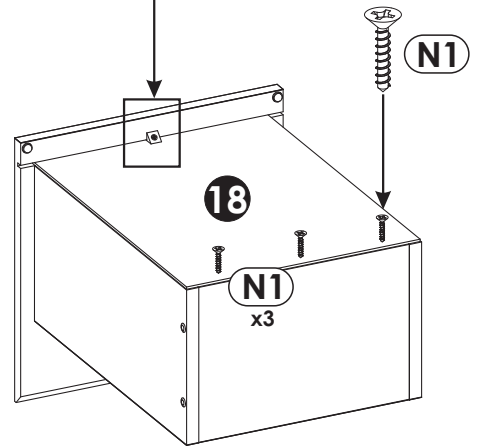
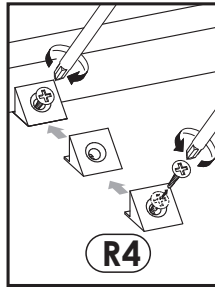
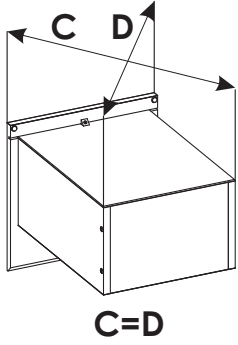
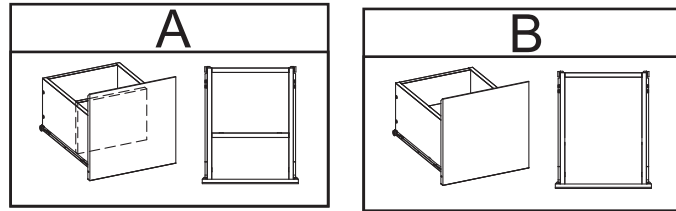
19▶



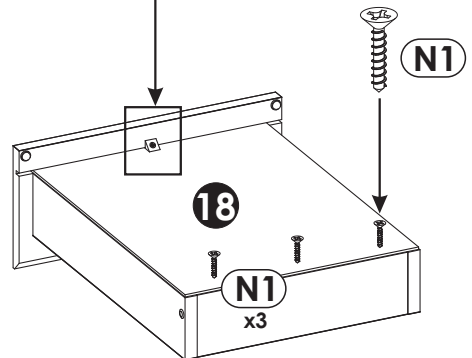
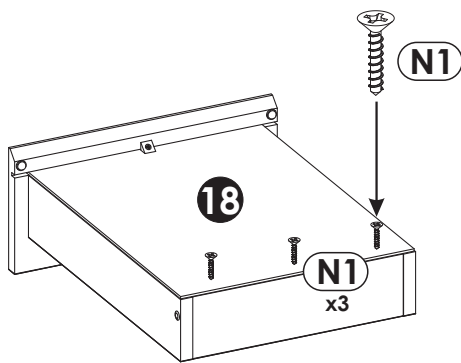
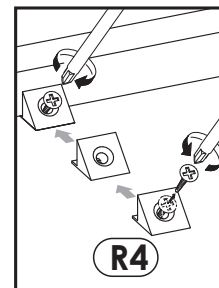
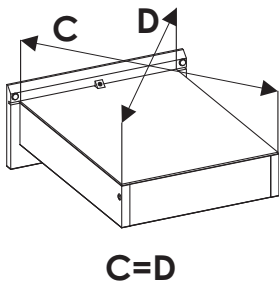
20▶



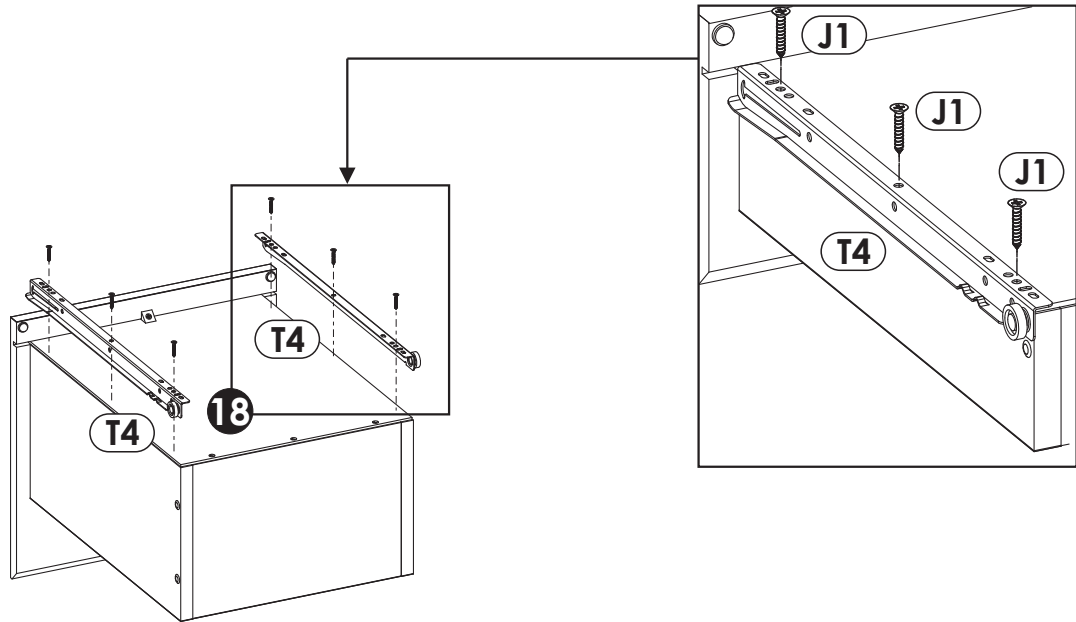
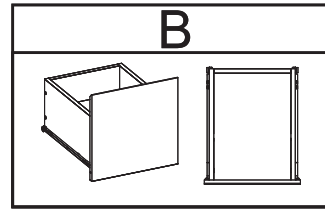
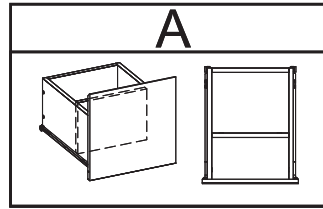
21▶



22▶



23 ▶



24 ▶

