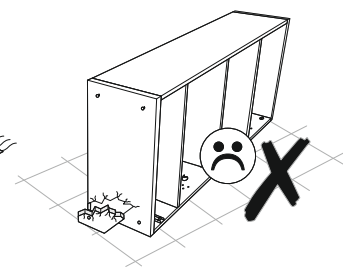
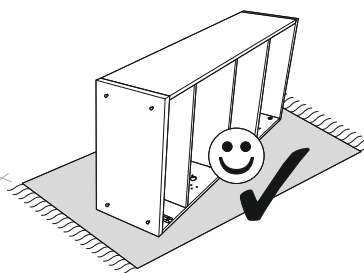
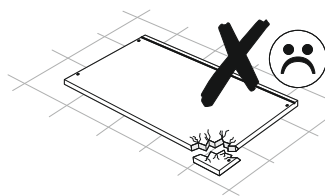
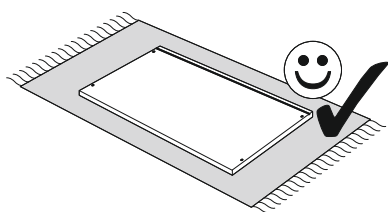
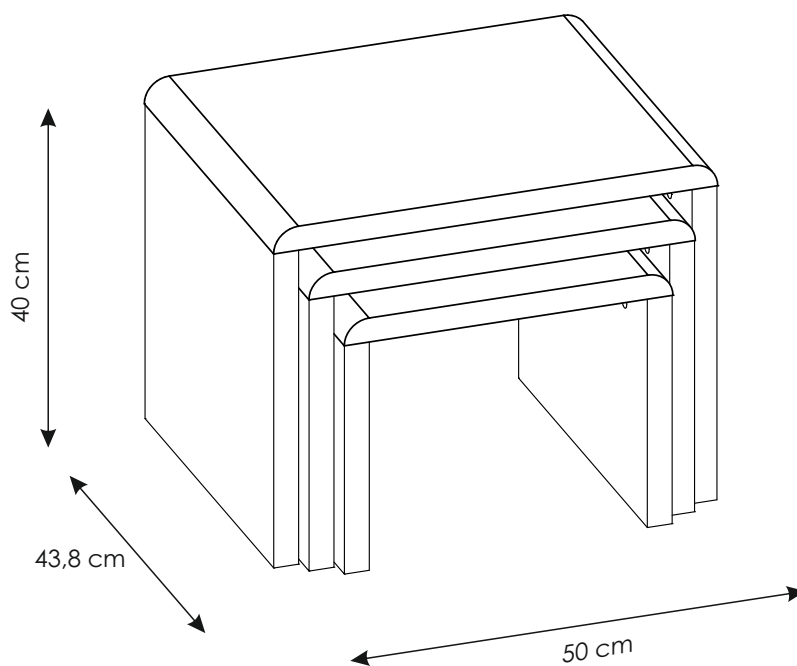
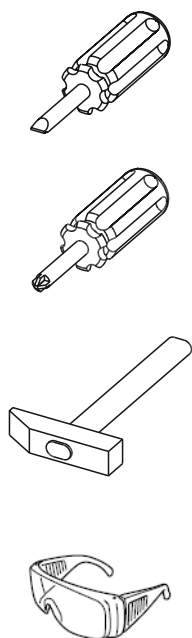
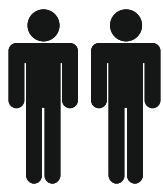
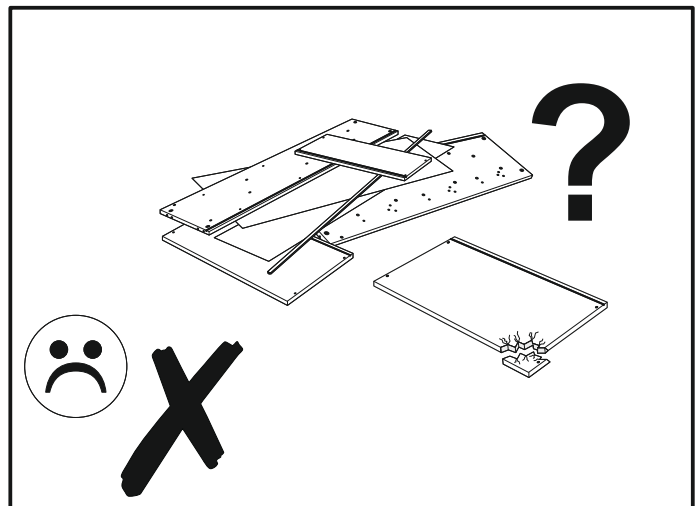
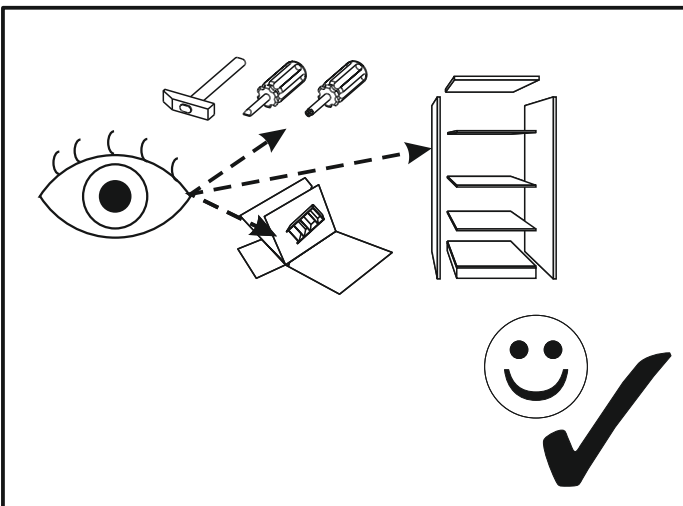
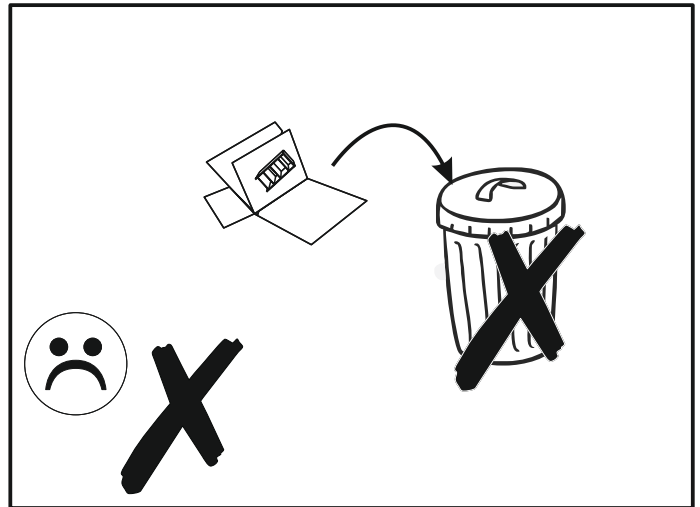
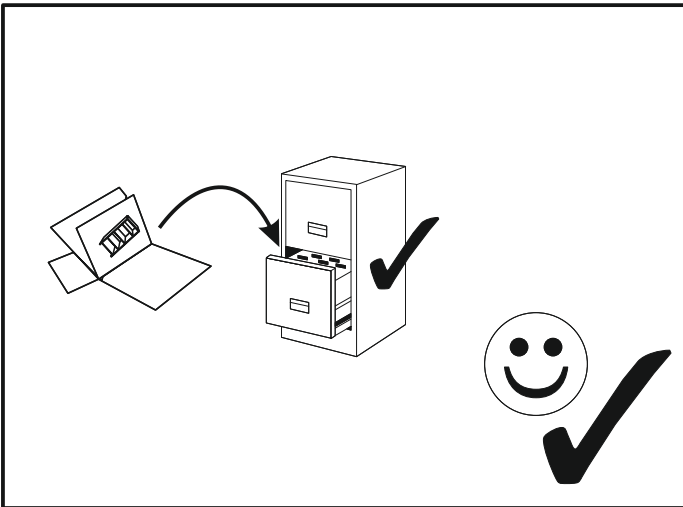
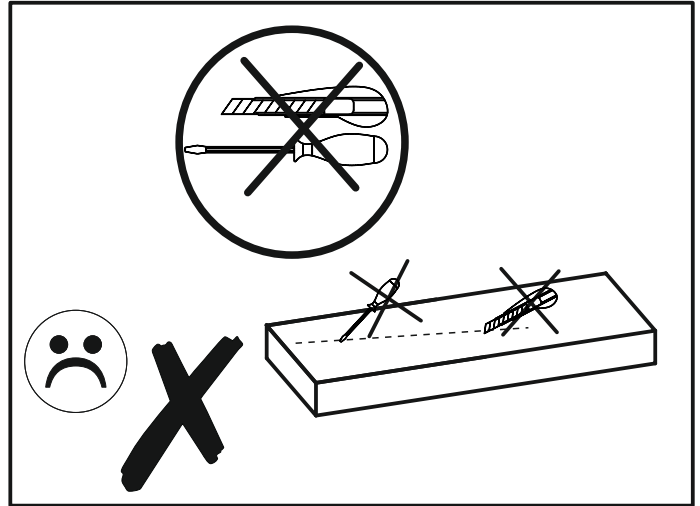
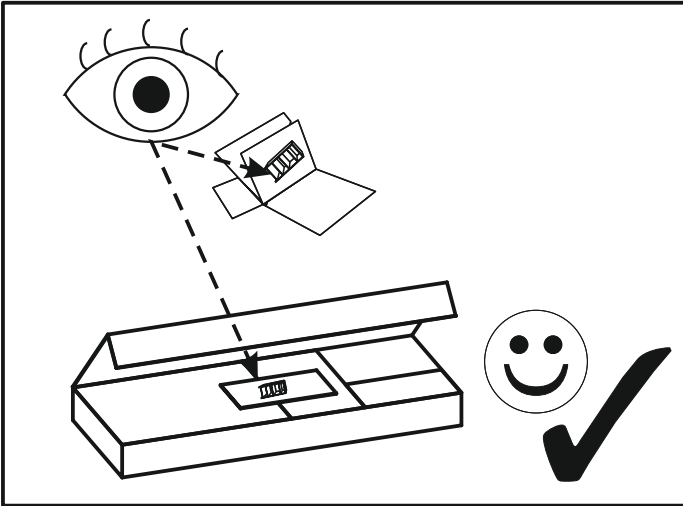



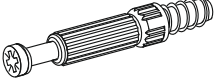
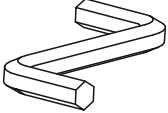
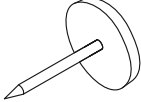


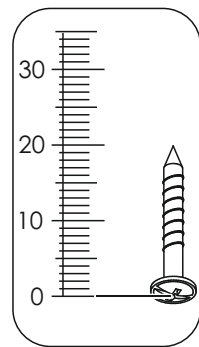
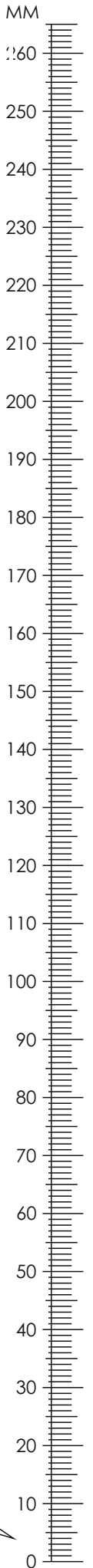
4 YOU SMALL NEST OF TABLES 1+1+1



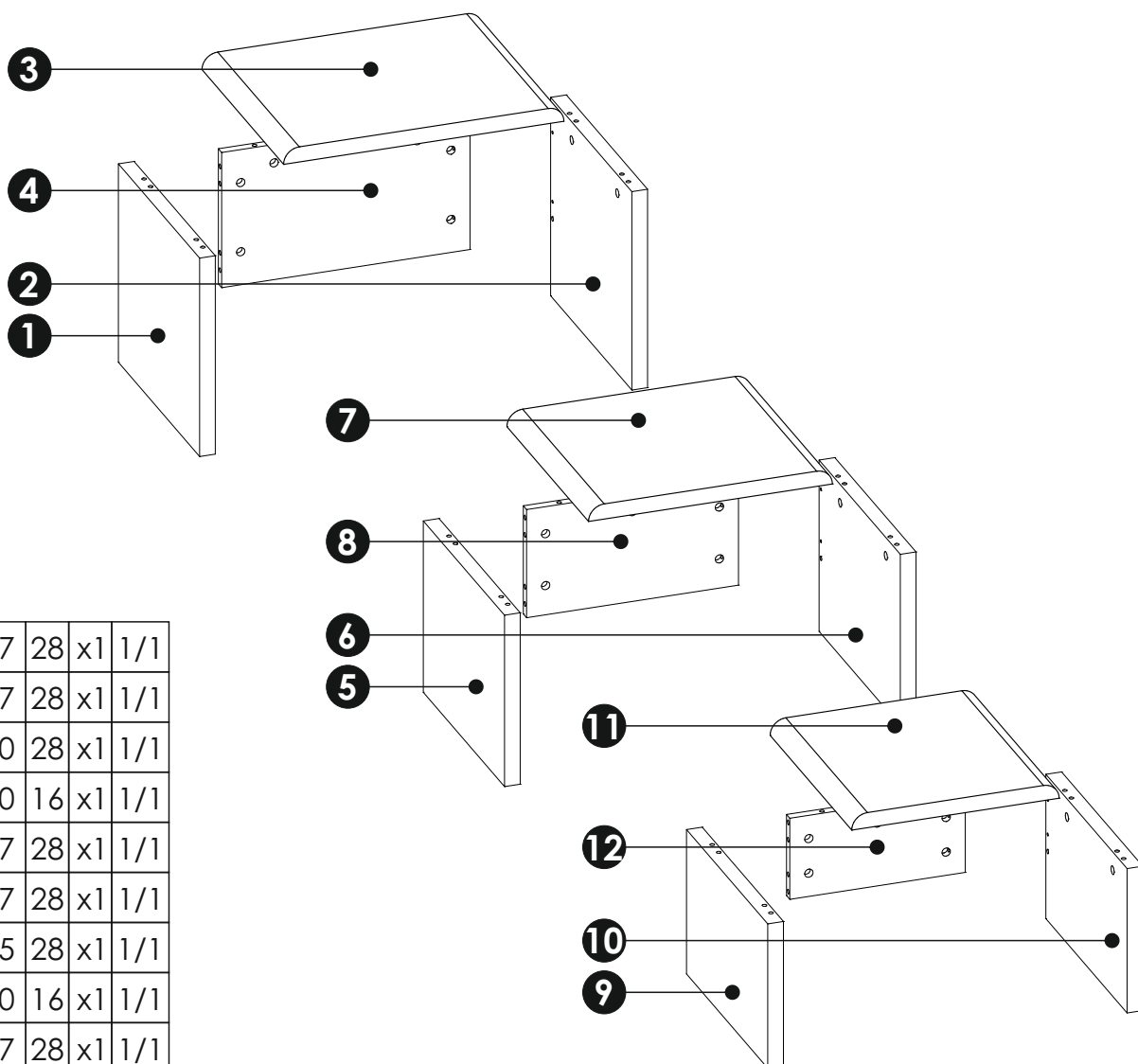
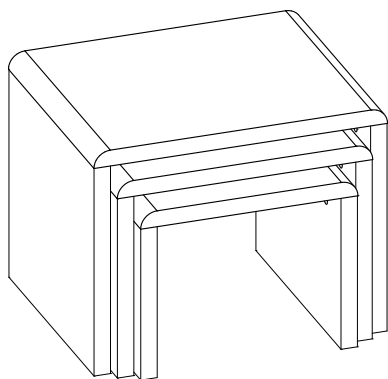


4 YOU SMALL NEST OF TABLES 1+1+

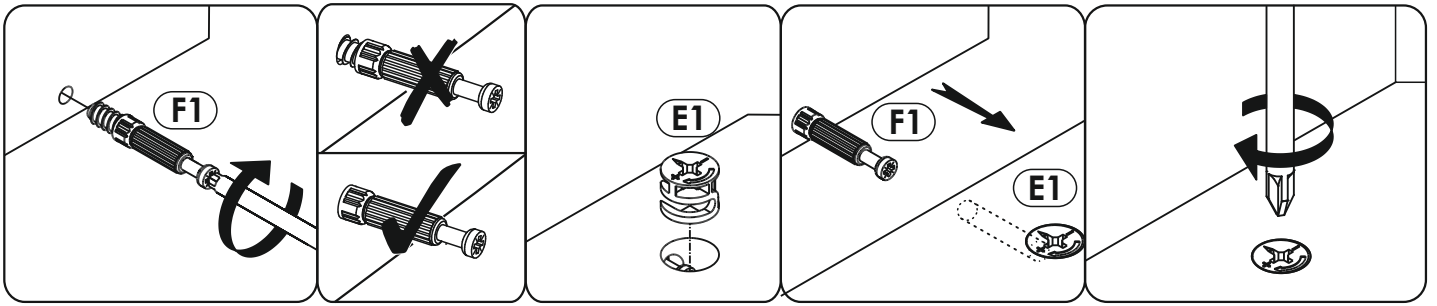
A1 8 x 35 mm x30 	E0  x28	E1 15 x 12 mm x28 
F1 6 x 34 mm x28 	M  x1 F1	O2  x12



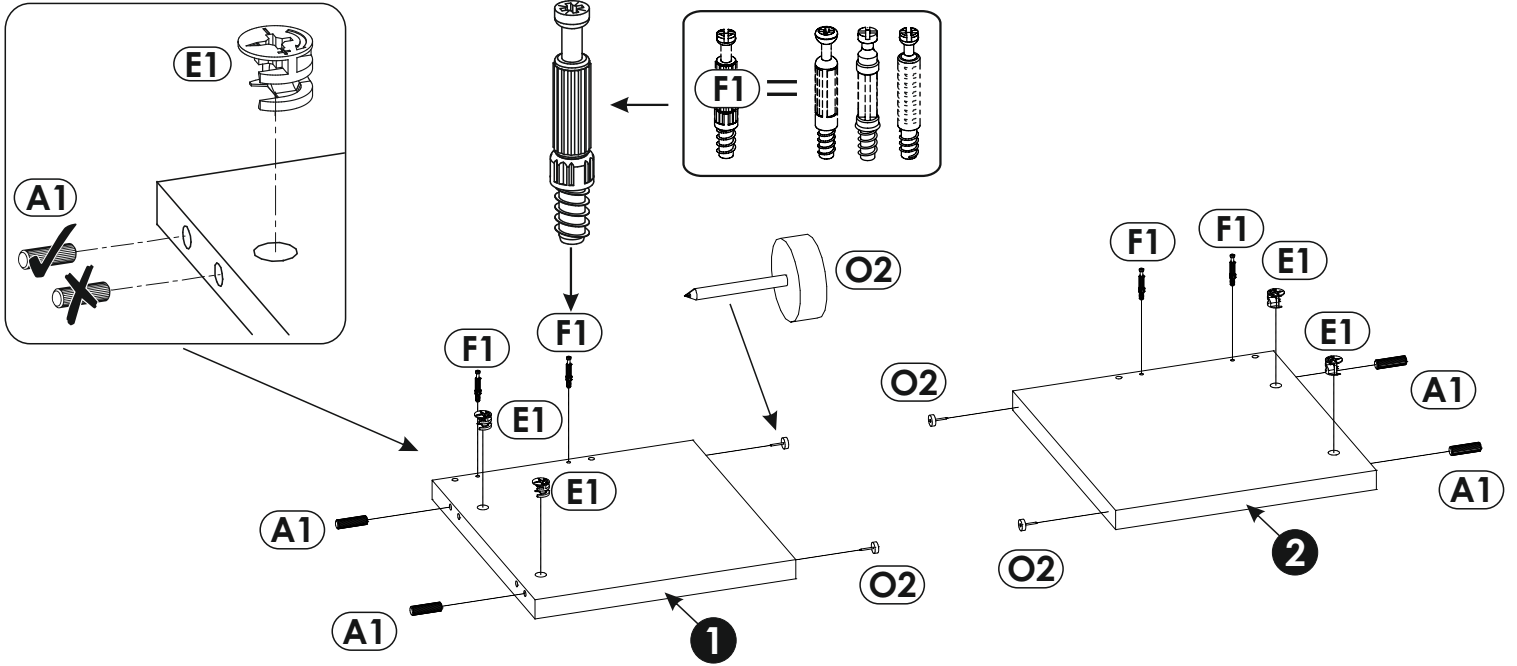
4 YOU SMALL NEST OF TABLES 1+1+1



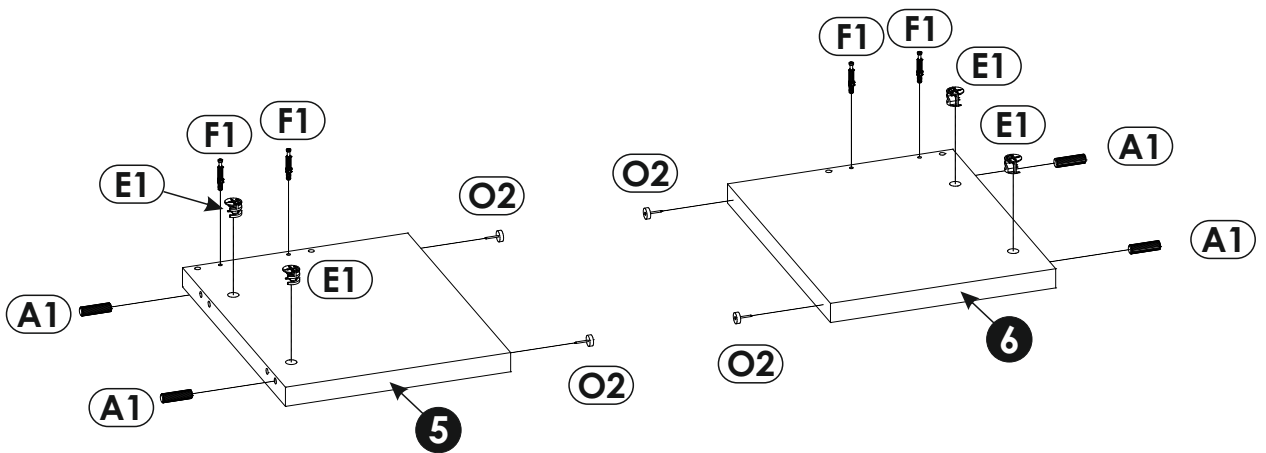
1	398	367	28	x1	1/1
2	398	367	28	x1	1/1
3	400	500	28	x1	1/1
4	443	250	16	x1	1/1
5	398	317	28	x1	1/1
6	398	317	28	x1	1/1
7	400	435	28	x1	1/1
8	378	200	16	x1	1/1
9	398	267	28	x1	1/1
10	398	267	28	x1	1/1
11	400	370	28	x1	1/1
12	313	150	16	x1	1/1



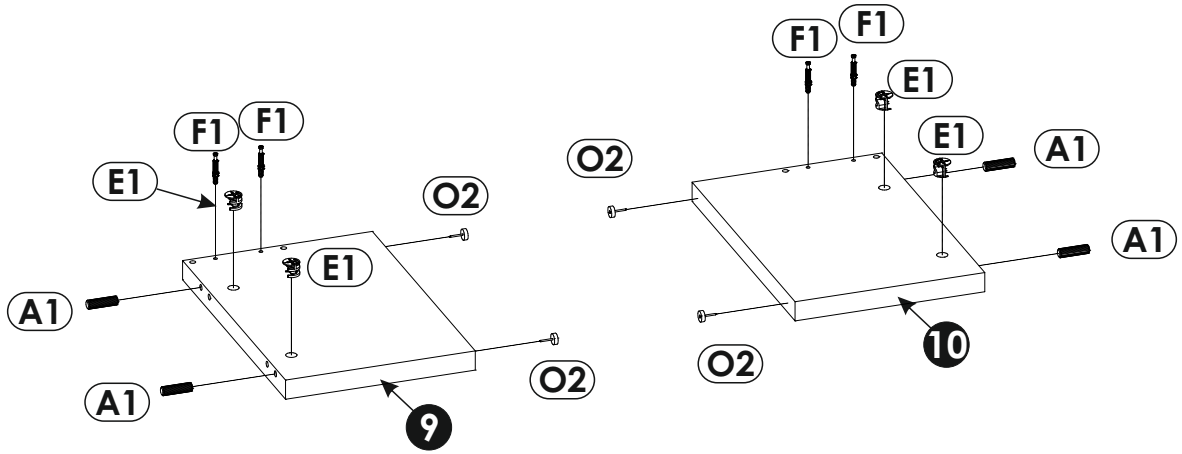
1 ▶



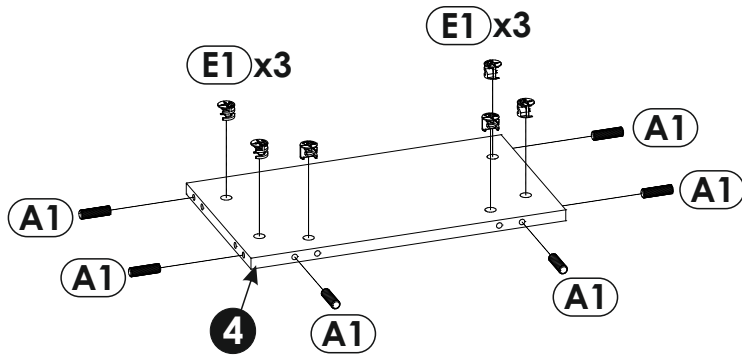
2 ▶



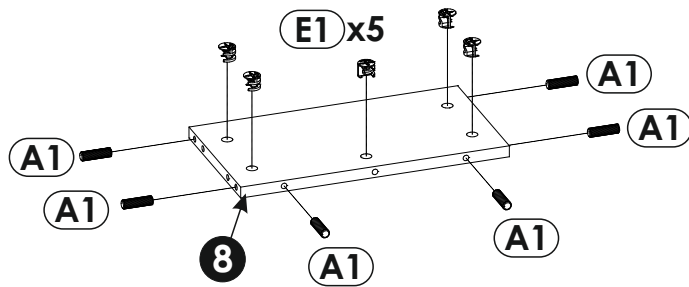
3▶



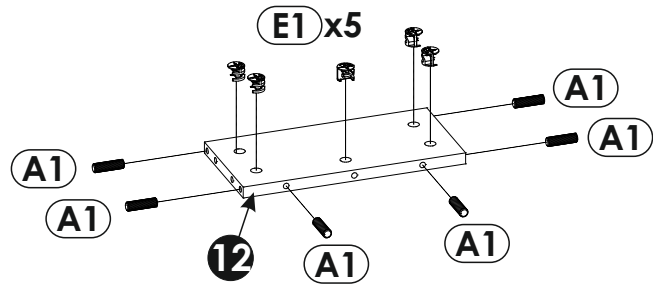
4▶



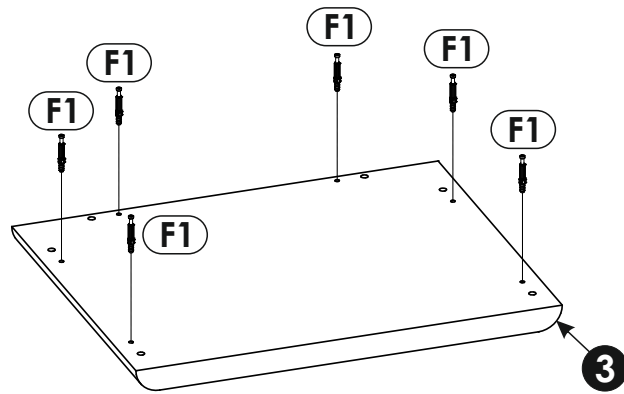
5▶



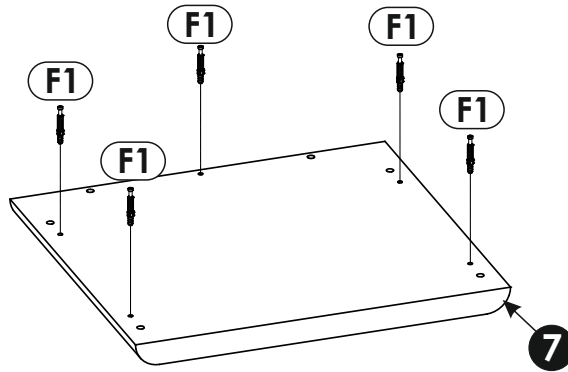
6▶



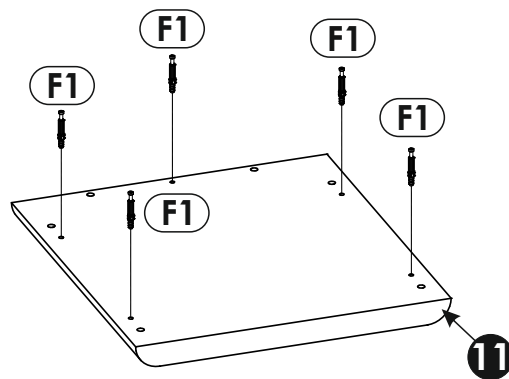
7▶



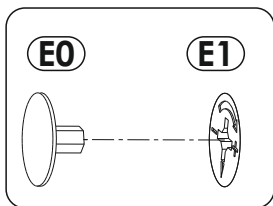
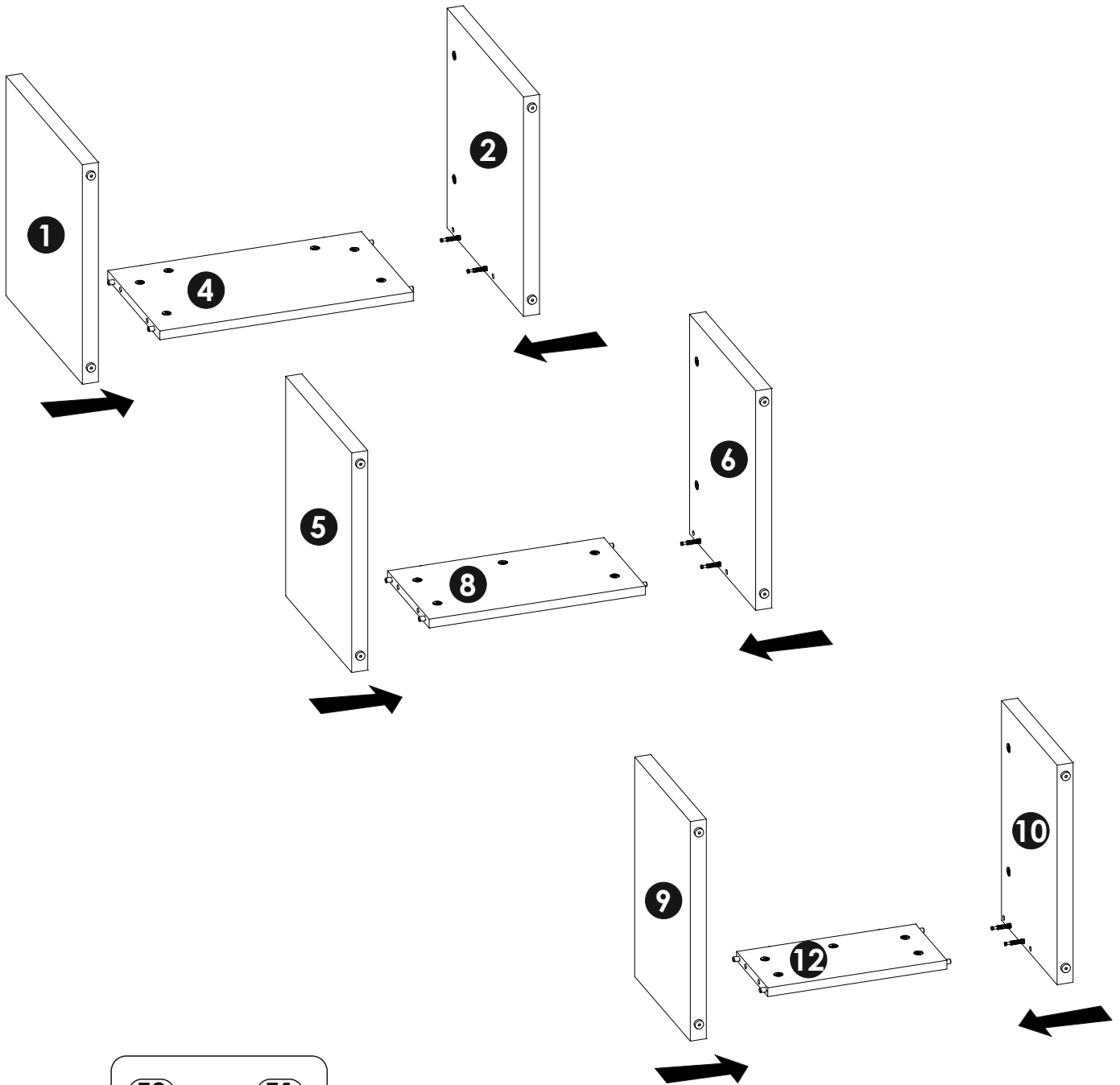
8▶

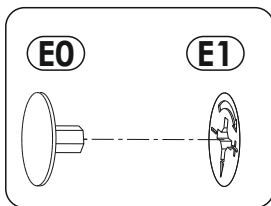
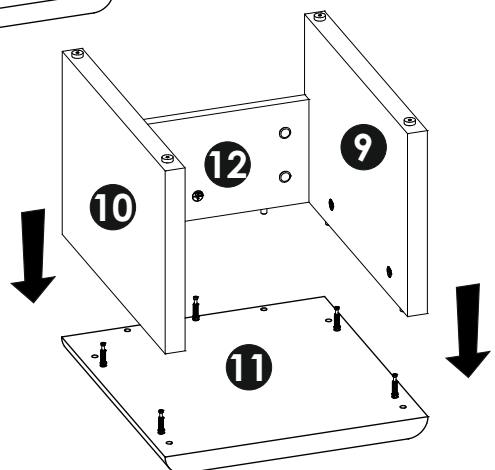
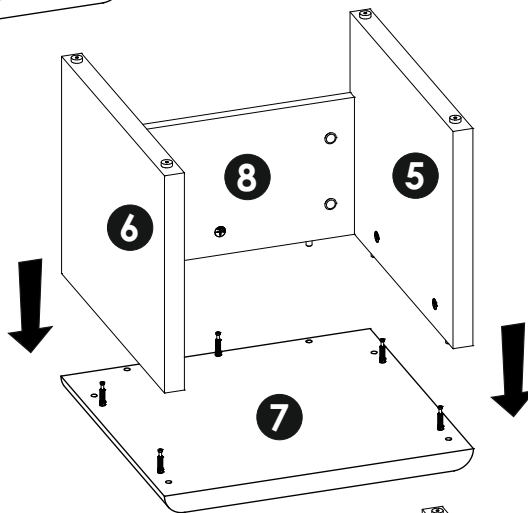
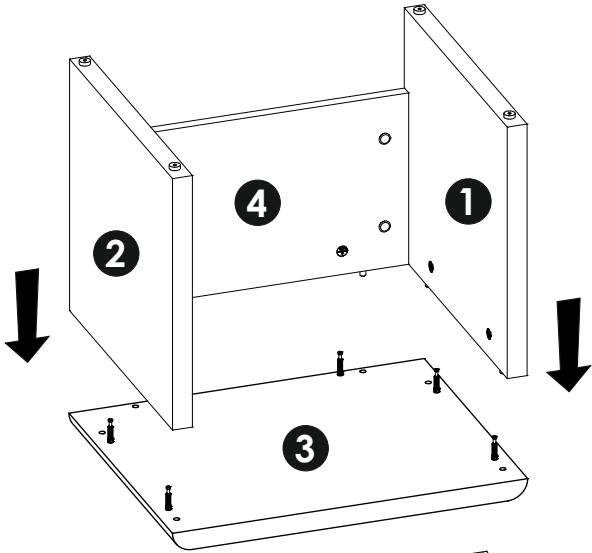


9▶



10 ▶





12▶

