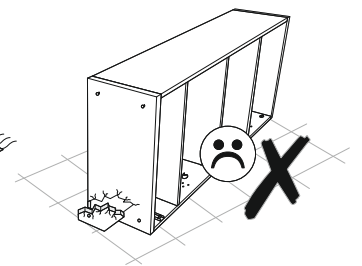
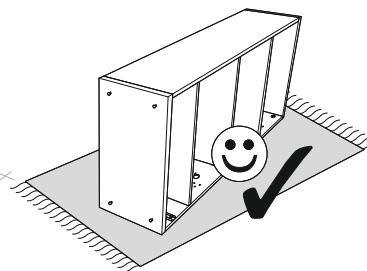
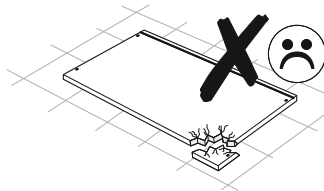
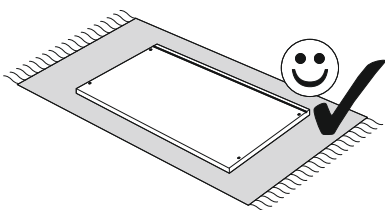
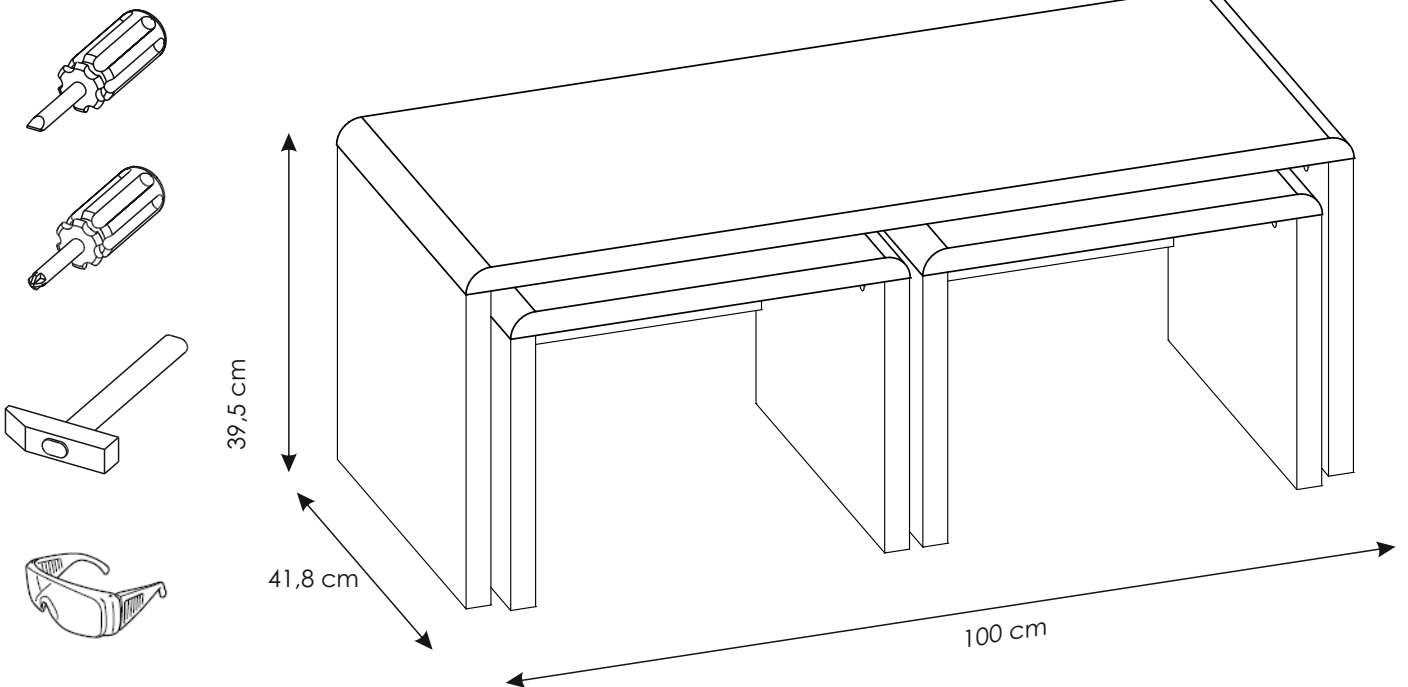
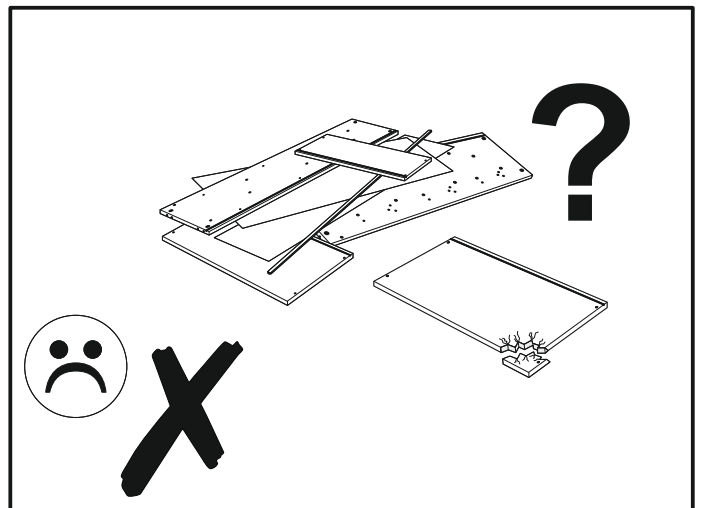
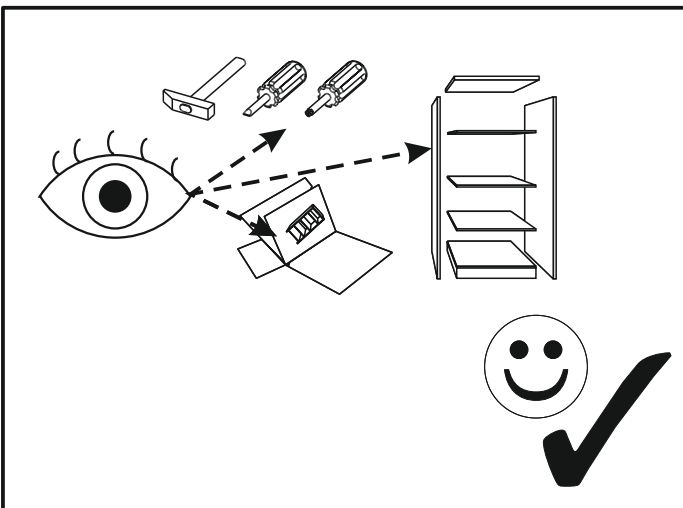
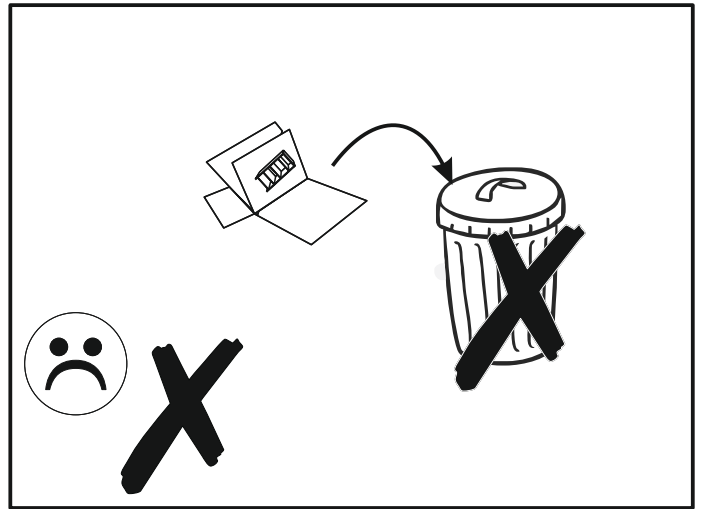
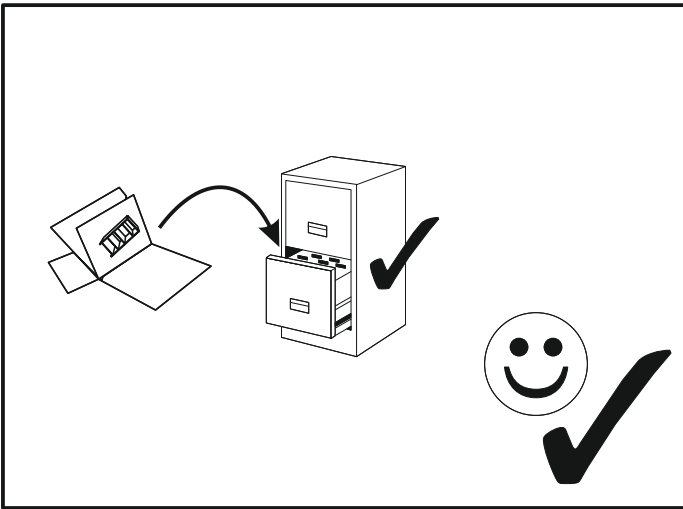
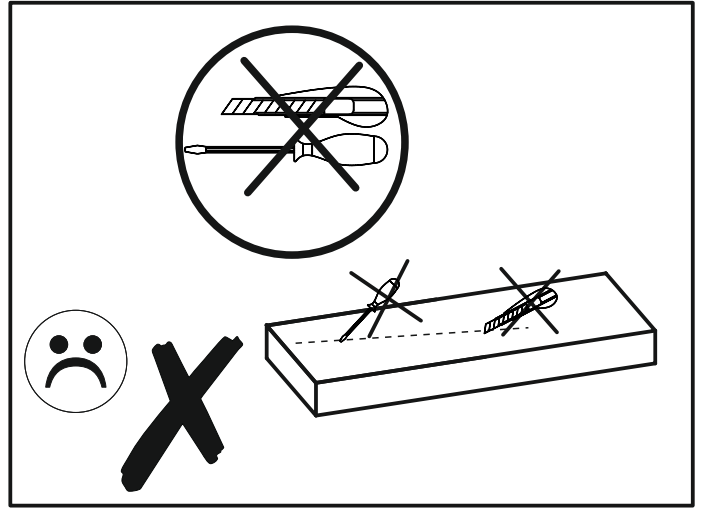
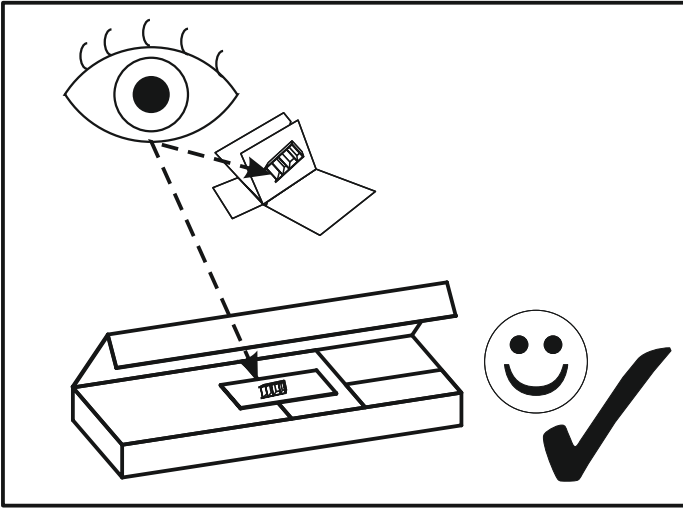
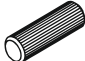


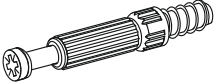
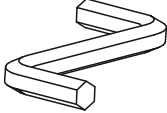
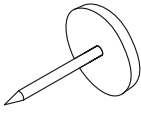


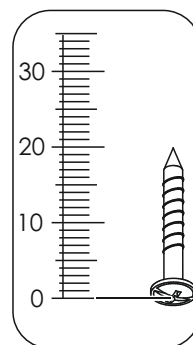
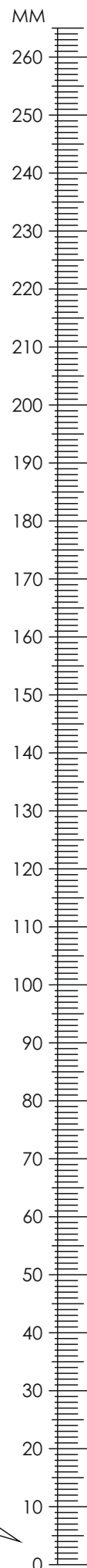
# 4 YOU SMALL NEST OF TABLES 1+2



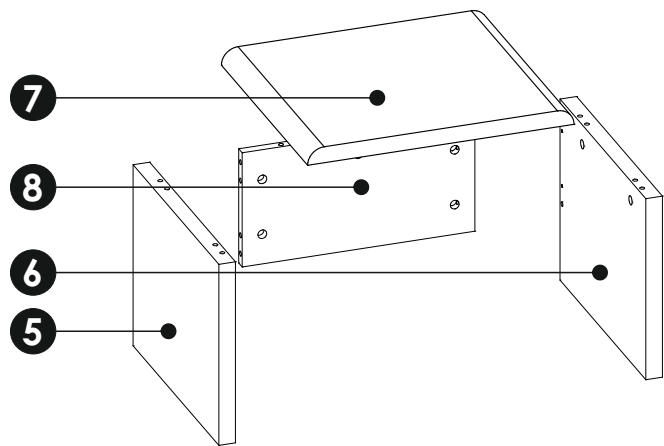
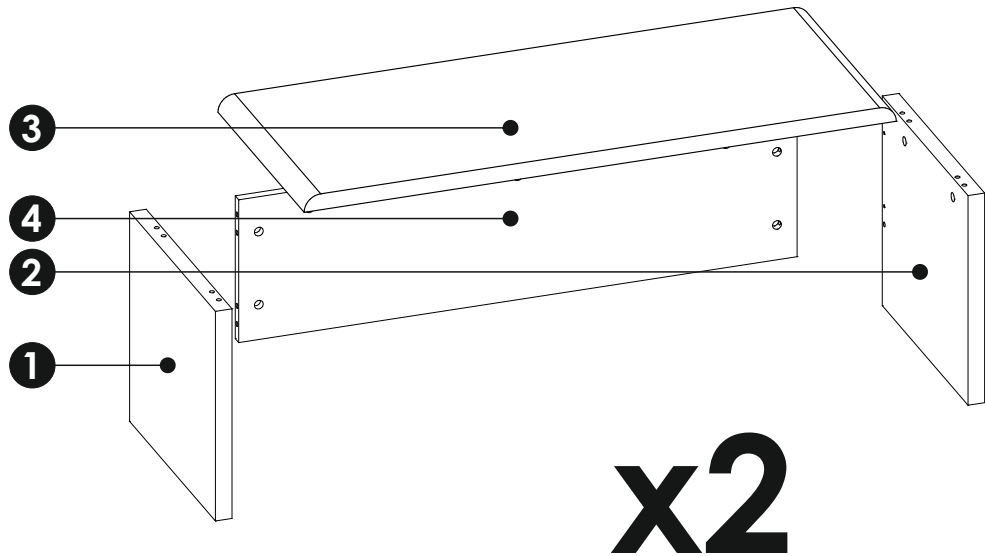
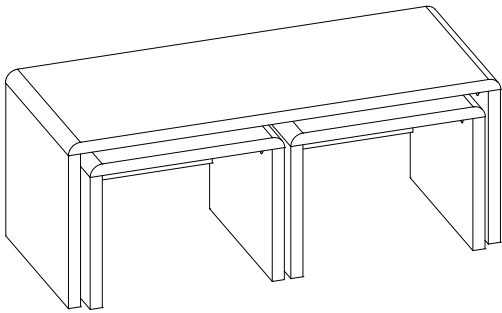


# 4 YOU SMALL NEST OF TABLES 1+2

<b>A1</b> 8 x 35 mm x32 	<b>E0</b> x29 	<b>E1</b> 15 x 12 mm x29 
<b>F1</b> 6 x 34 mm x29 	<b>M</b> x1 <b>F1</b> 	<b>O2</b> x12 

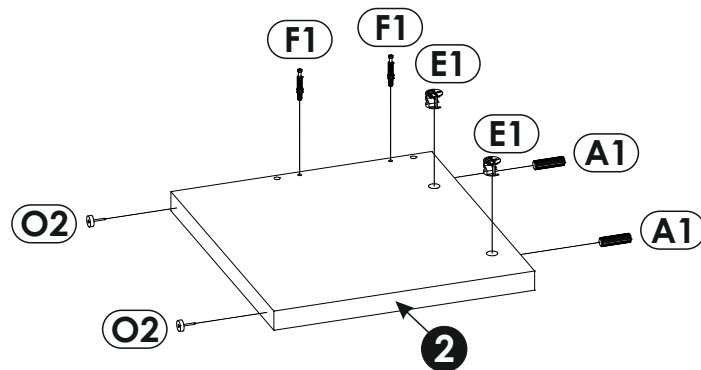
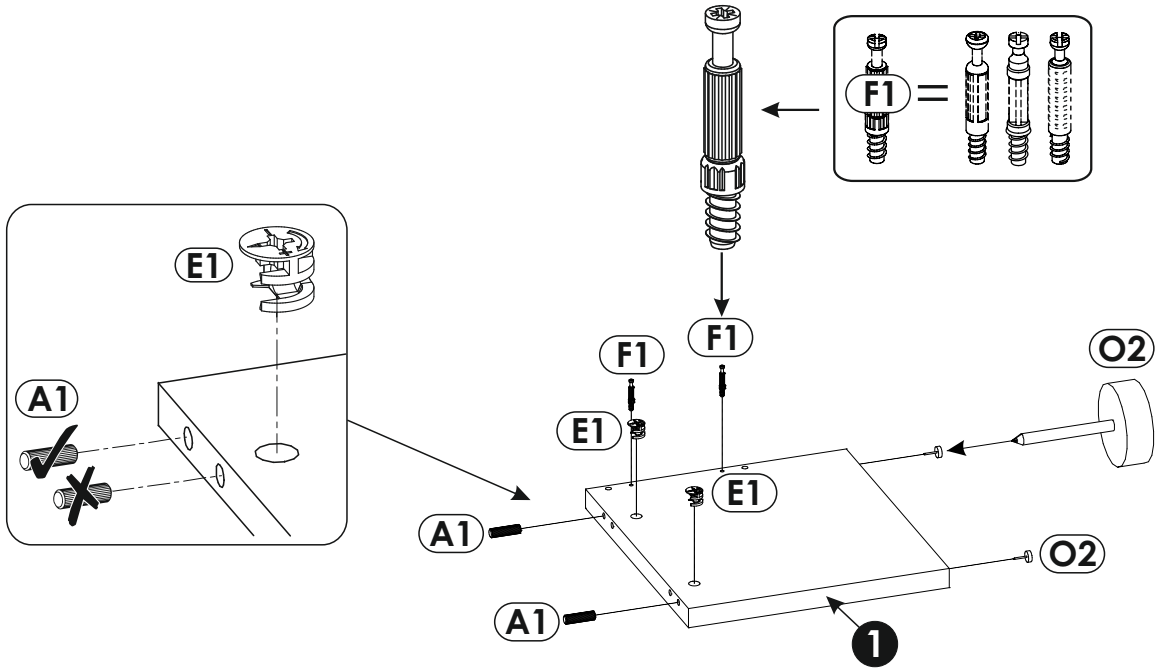
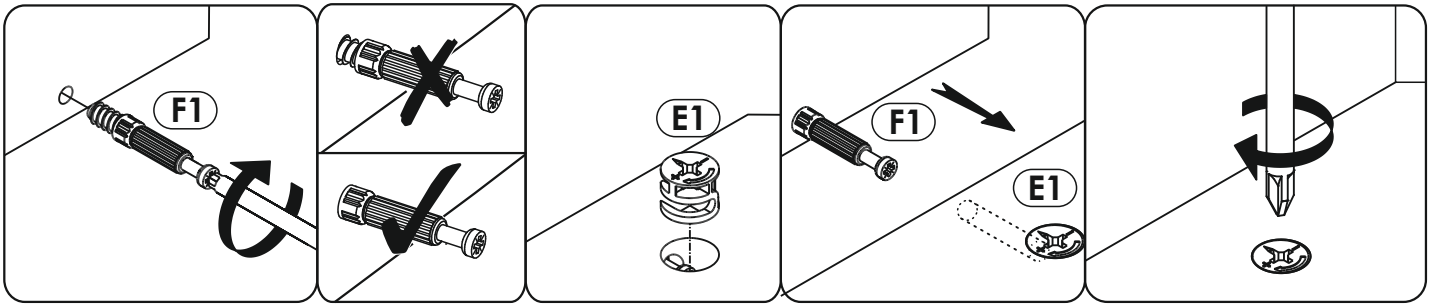


# 4 YOU SMALL NEST OF TABLES 1+2

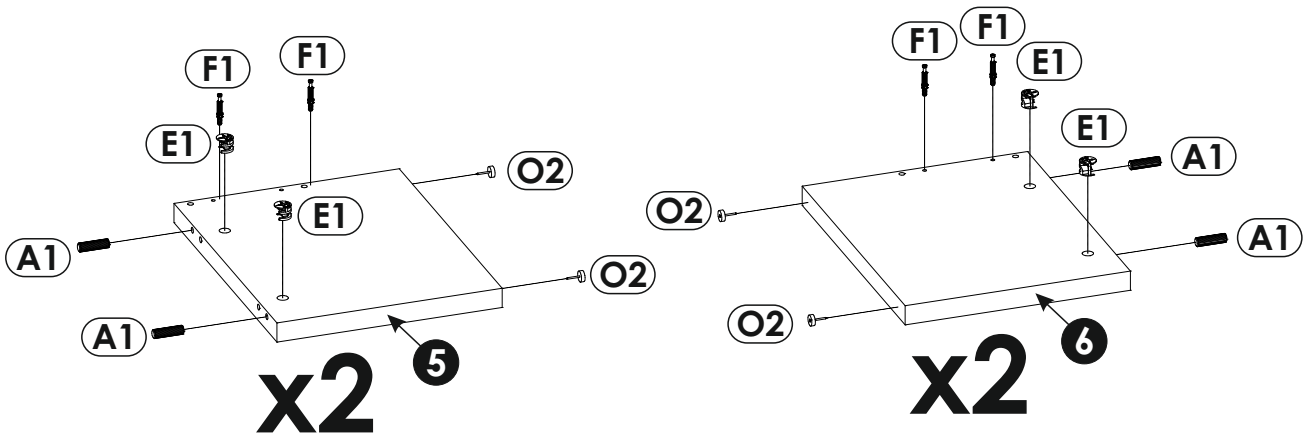


<b>1</b>	398	367	28	x1	1/2
<b>2</b>	398	367	28	x1	1/2
<b>3</b>	400	1000	28	x1	1/2
<b>4</b>	943	250	16	x1	1/2

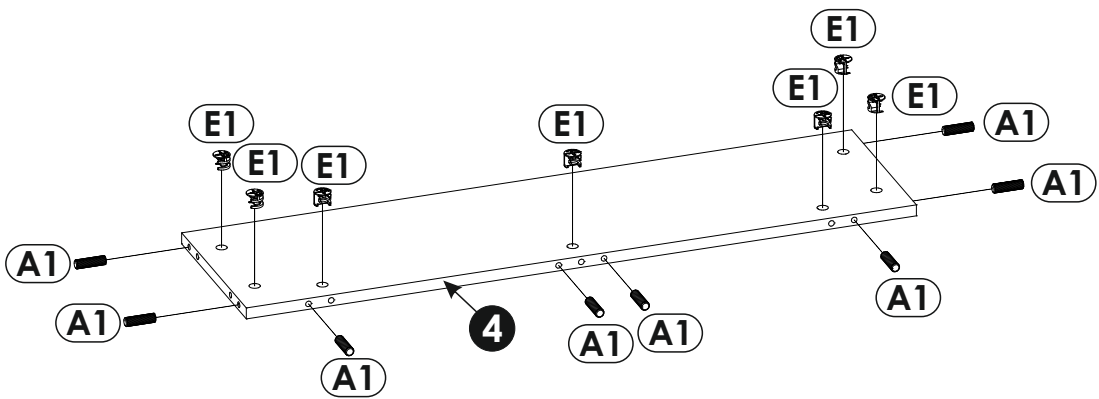
<b>5</b>	398	317	28	x2	2/2
<b>6</b>	398	317	28	x2	2/2
<b>7</b>	400	450	28	x2	1/2
<b>8</b>	393	200	16	x2	2/2



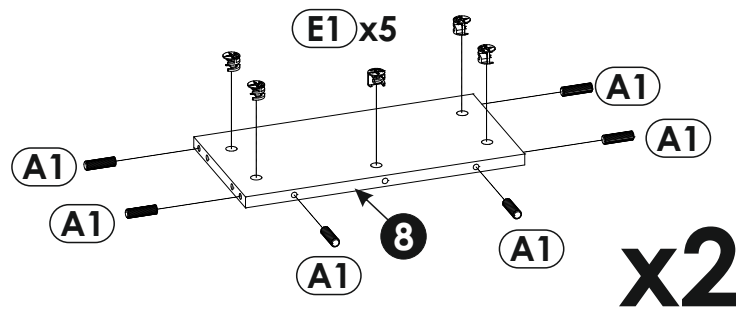
3▶



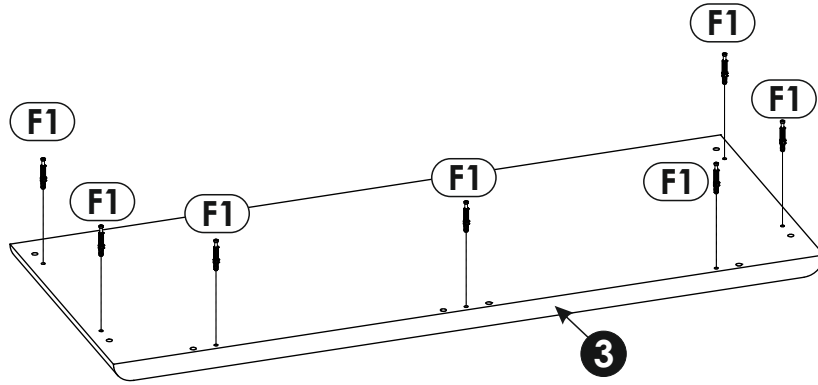
4▶



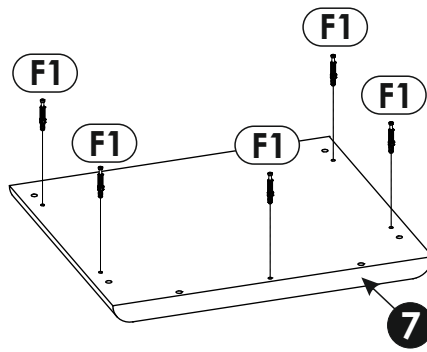
5▶



6 ▶

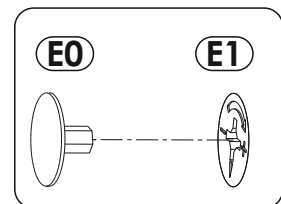
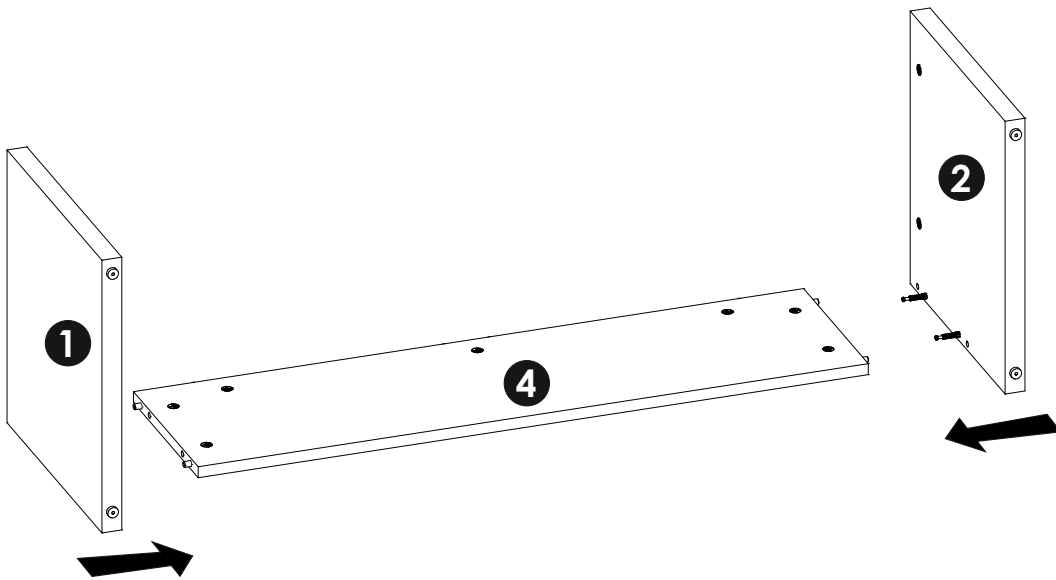


7 ▶

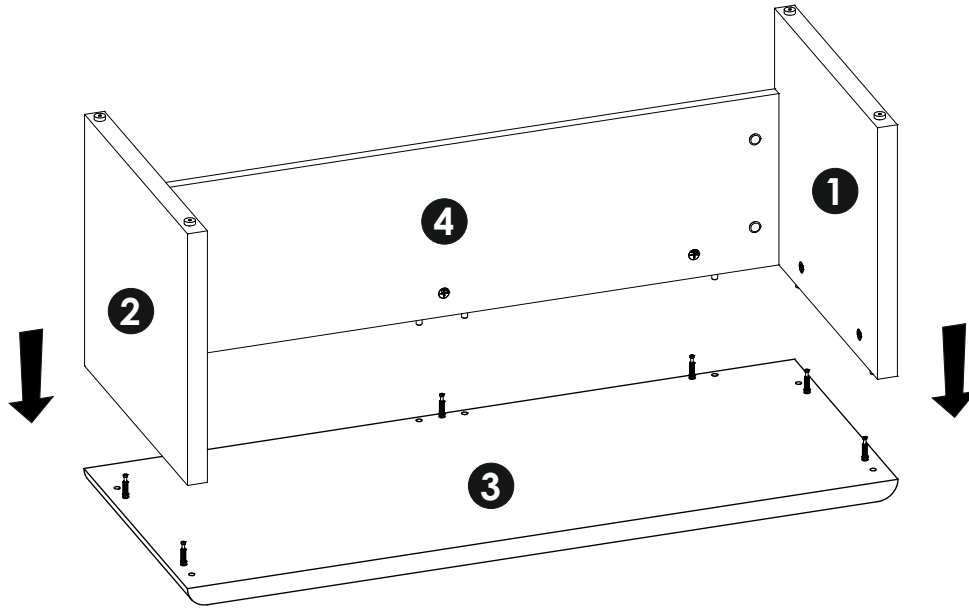


x2

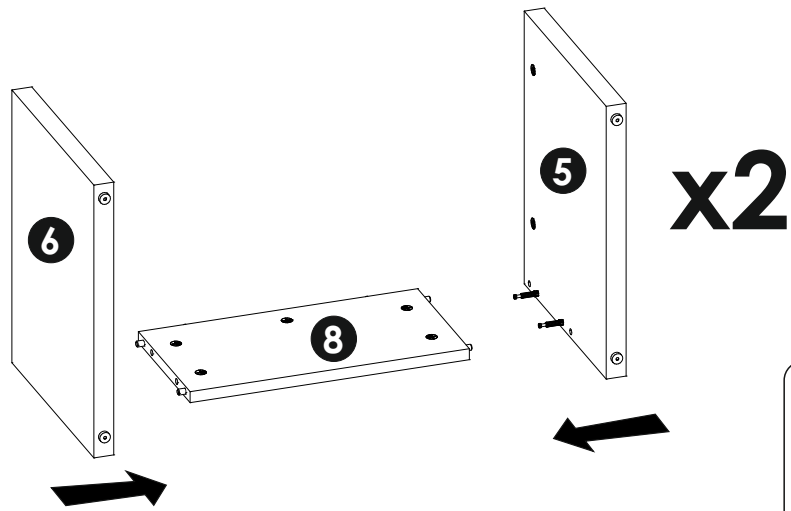
8 ▶



9 ▶



10 ▶



11 ▶

