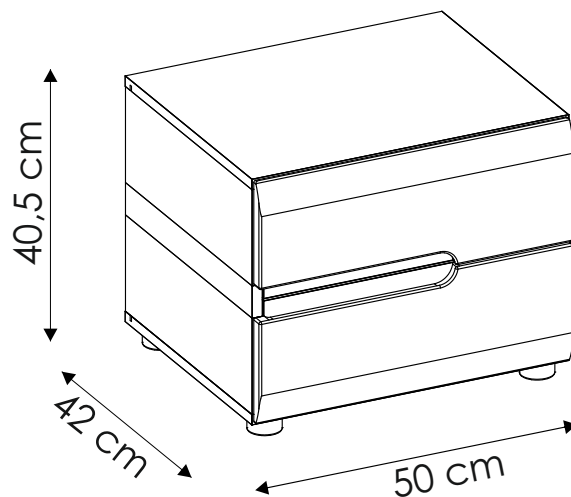
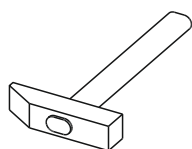
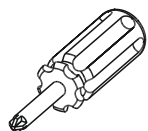
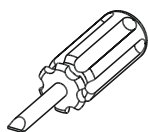
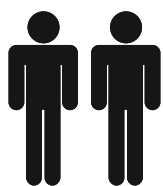
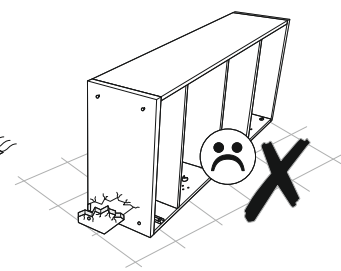
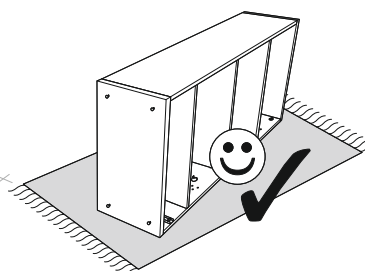
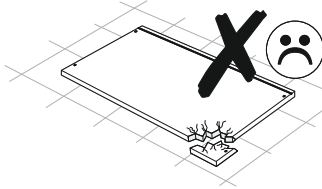
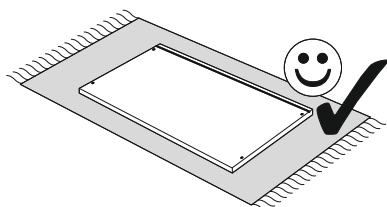
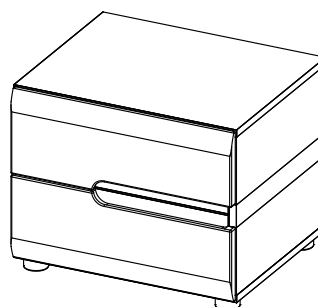
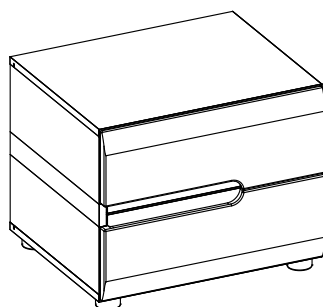
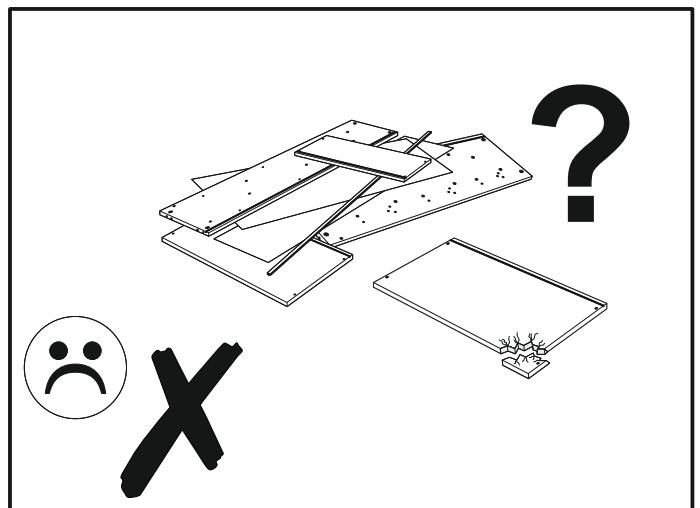
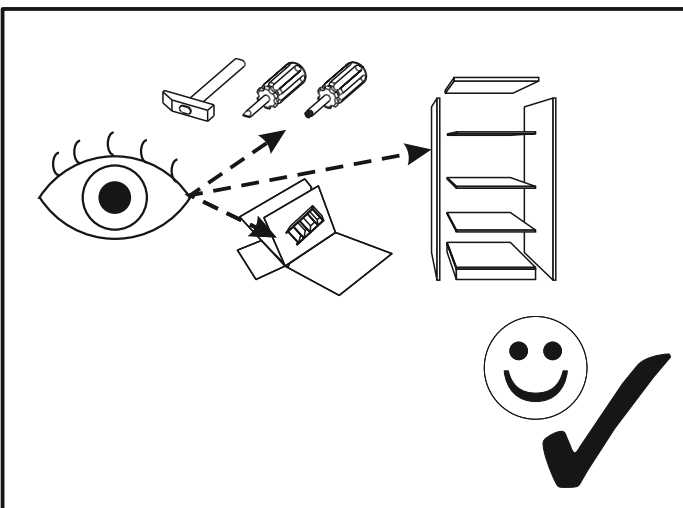
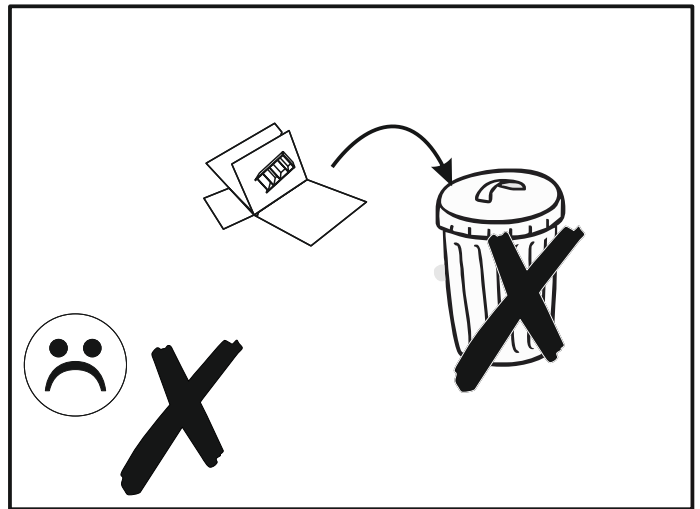
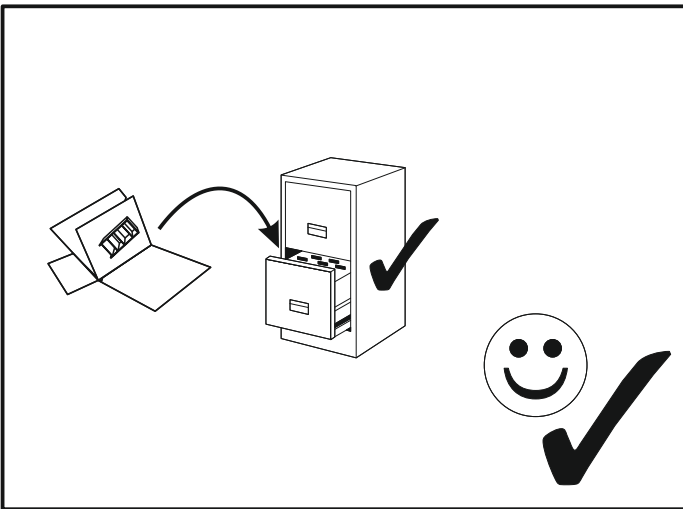
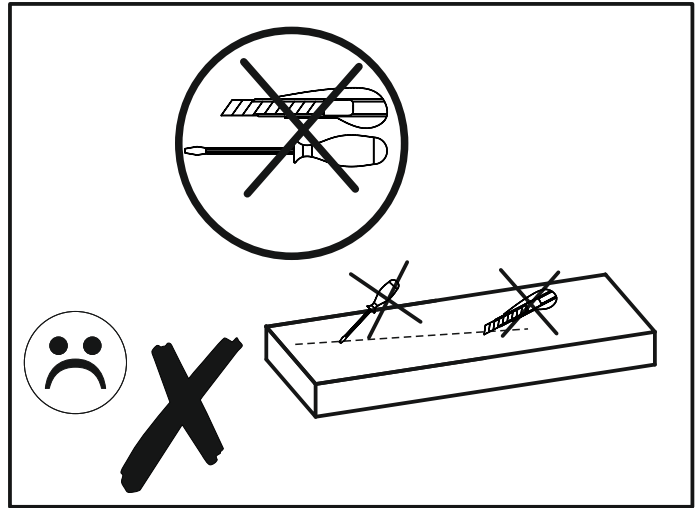
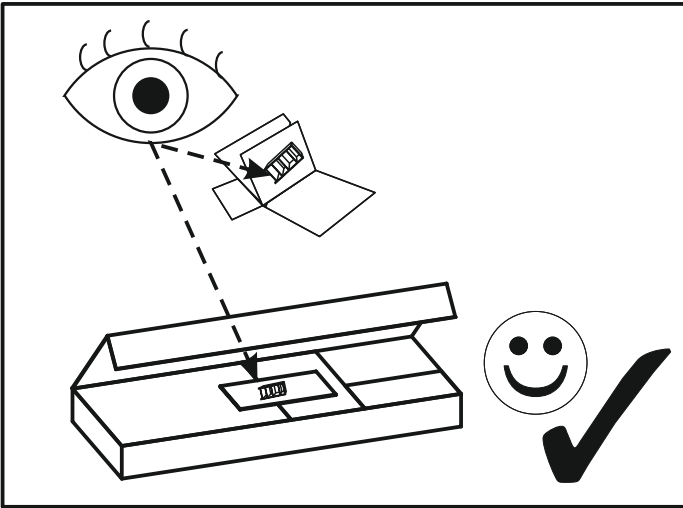


CHELSEA TYP 96

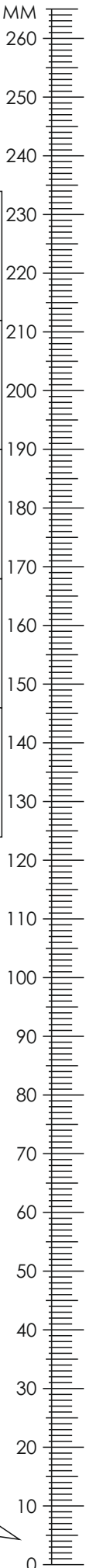





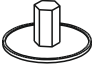



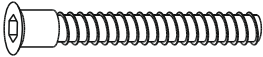


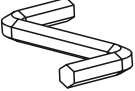

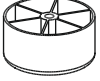
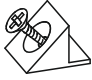
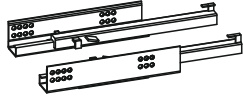
L P

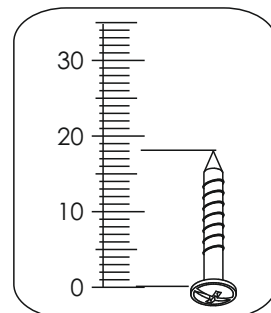




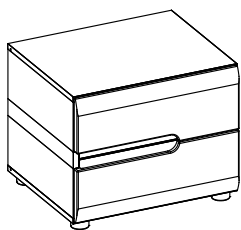
LINATE TYP 96



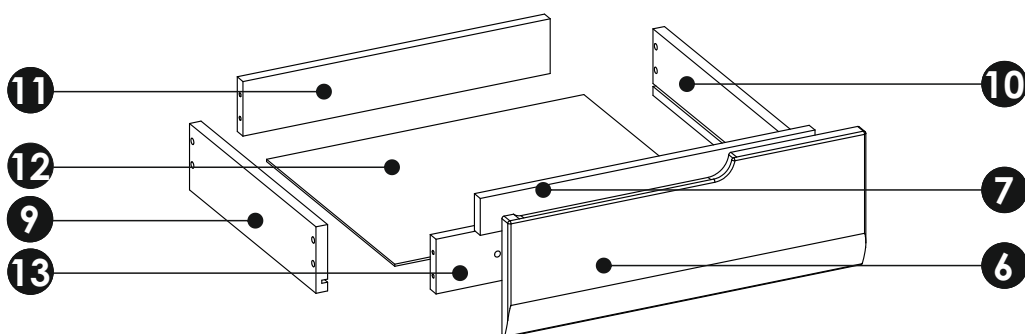
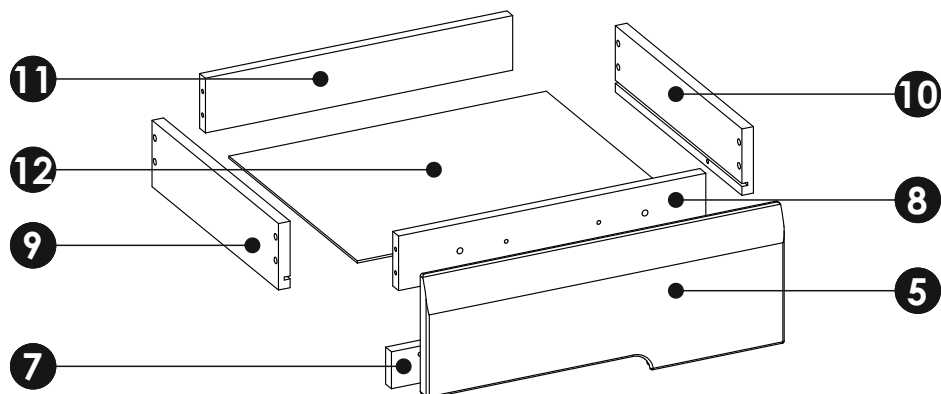
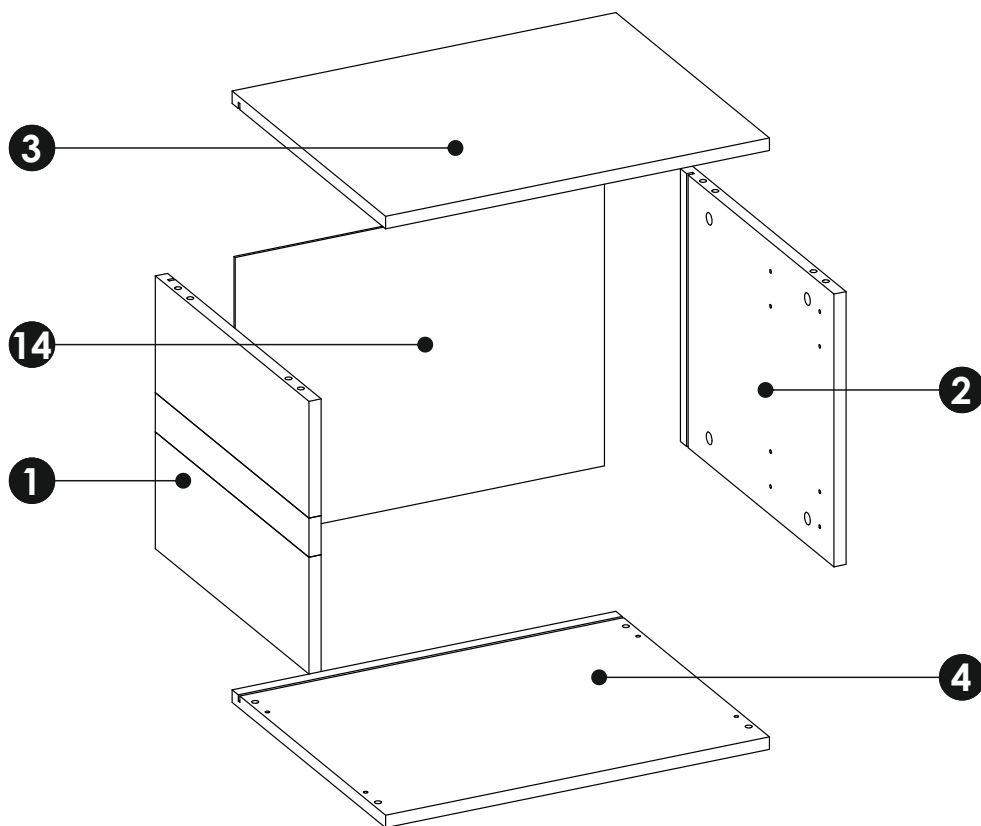
A0 x4 $\phi 8 \times 24$ mm 	A1 x8 $\phi 8 \times 35$ mm 	C2 x8 5 x 13 mm 
E0 x8 	E1 x8 	F1 x8 
G0 x16 	G1 x16 $\phi 7 \times 50$ mm 	I10 x4 3,5 x 22 mm 
J6 x10 4 x 30 mm 	M x1 	N1 x20 3 x 16 mm 
O15 x4 $\phi 50 \times 25$ mm 	R4 x8 	T11 x2 

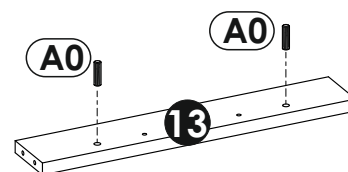
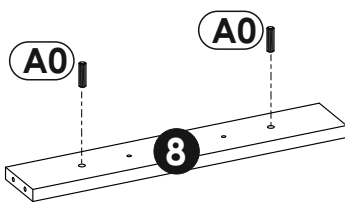
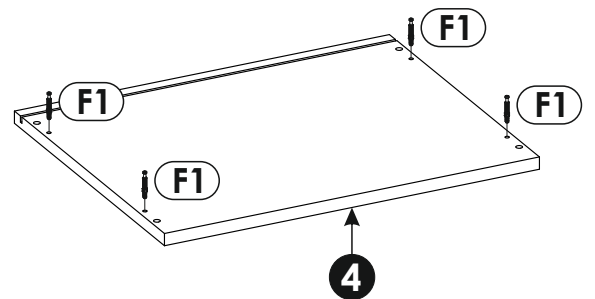
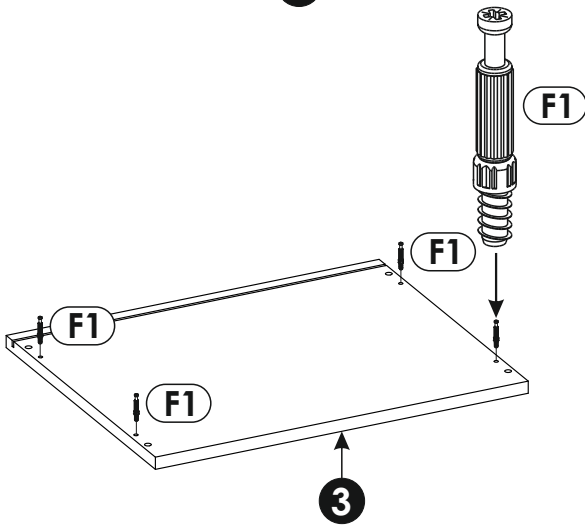
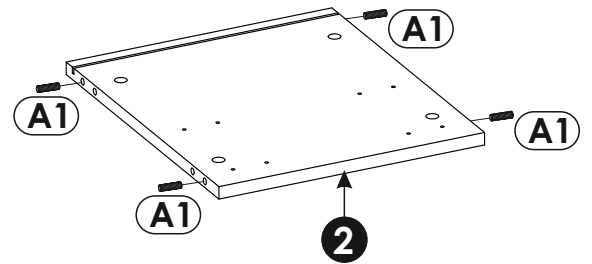
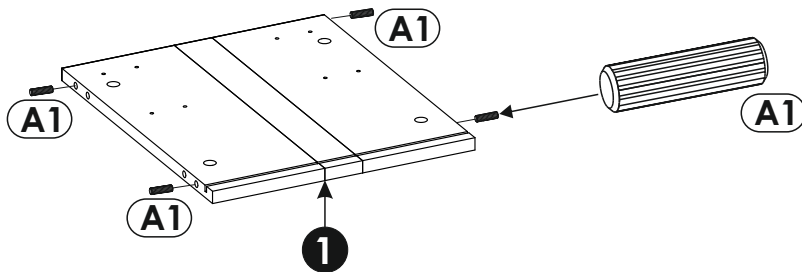
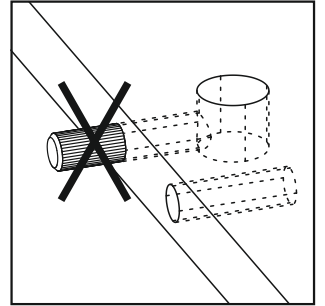
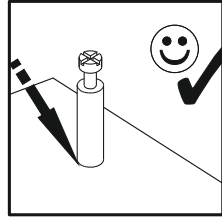
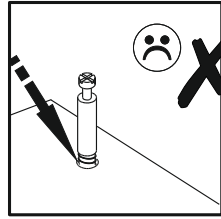
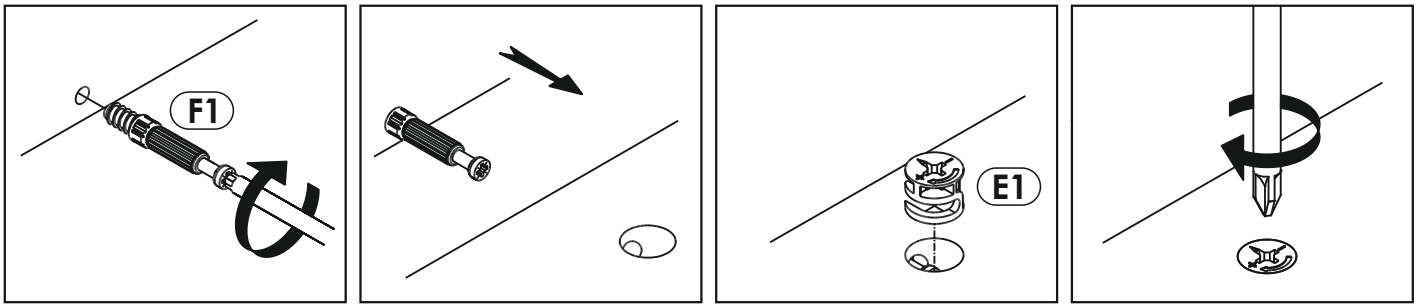


LINATE TYP 96

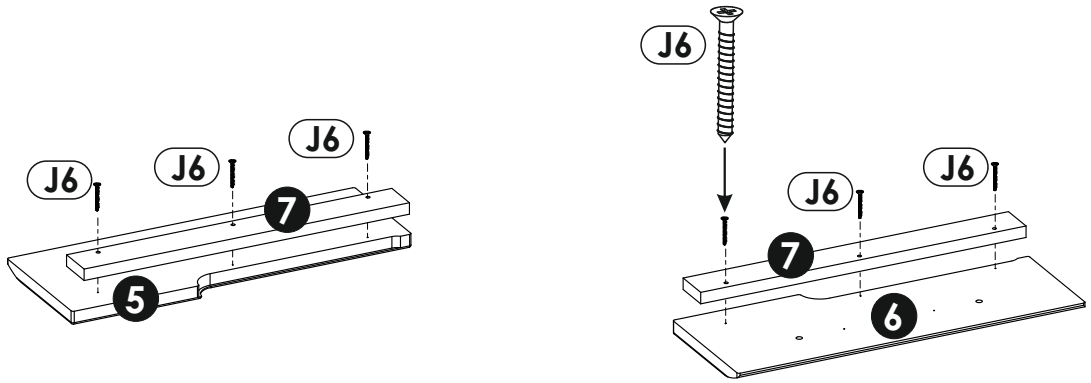


1	348	400	16	x1	1/1
2	348	400	16	x1	1/1
3	500	400	16	x1	1/1
4	500	400	16	x1	1/1
5	496	186	19	x1	1/1
6	496	186	19	x1	1/1
7	463	50	16	x2	1/1
8	425	74	16	x1	1/1
9	350	90	16	x2	1/1
10	350	90	16	x2	1/1
11	425	74	16	x2	1/1
12	439	350	3	x2	1/1
13	425	74	16	x1	1/1
14	481	362	3	x1	1/1

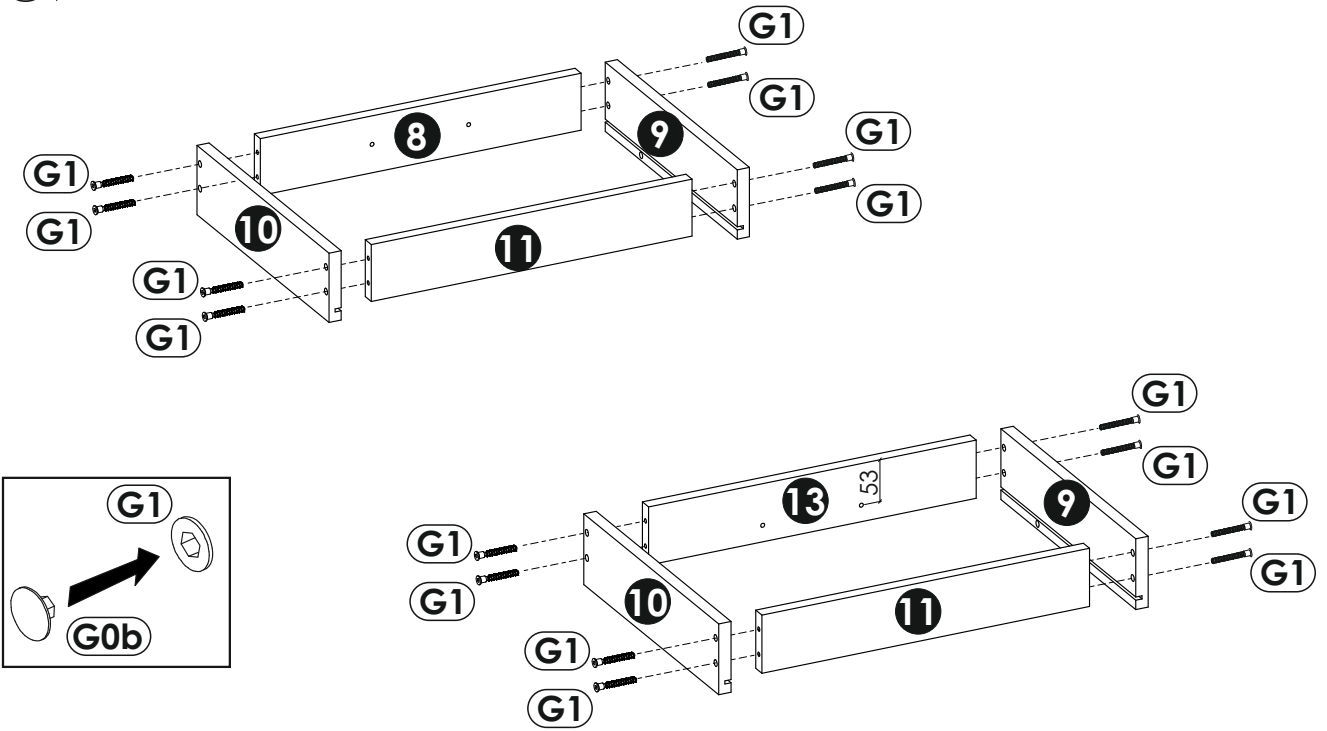




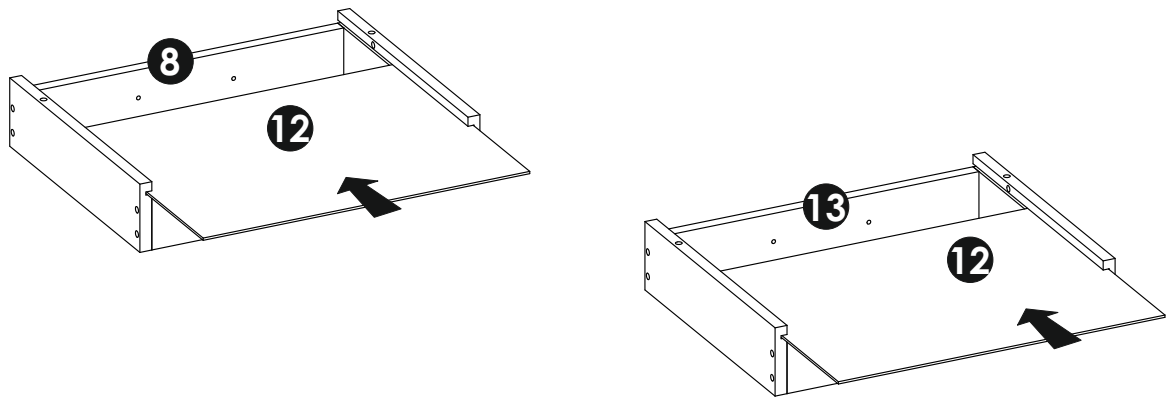
2▶



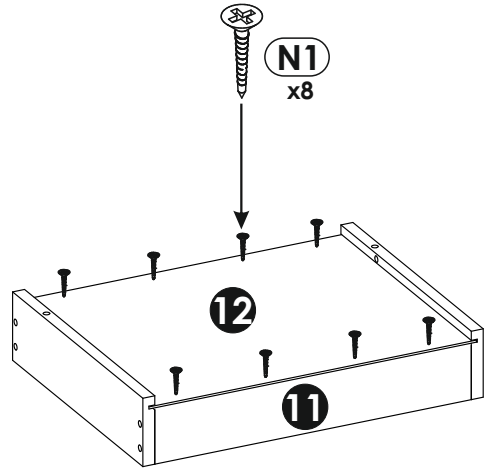
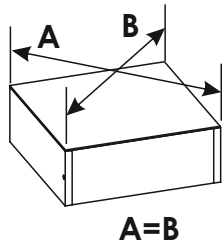
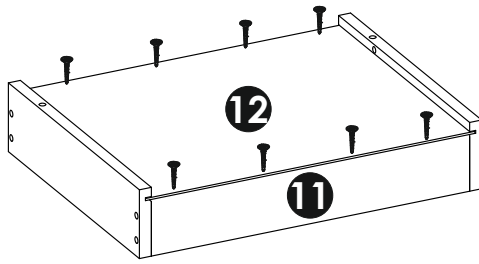
3▶



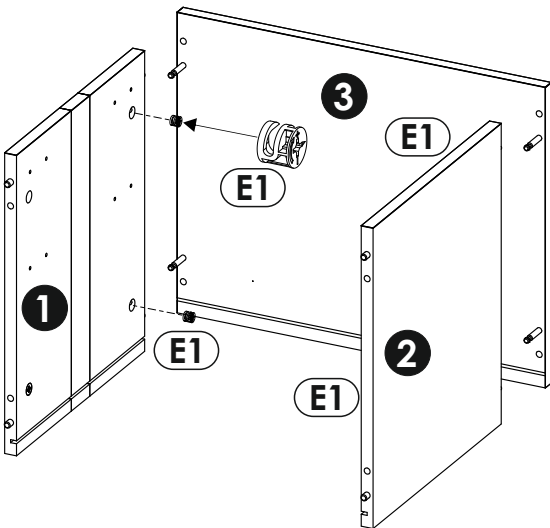
4▶



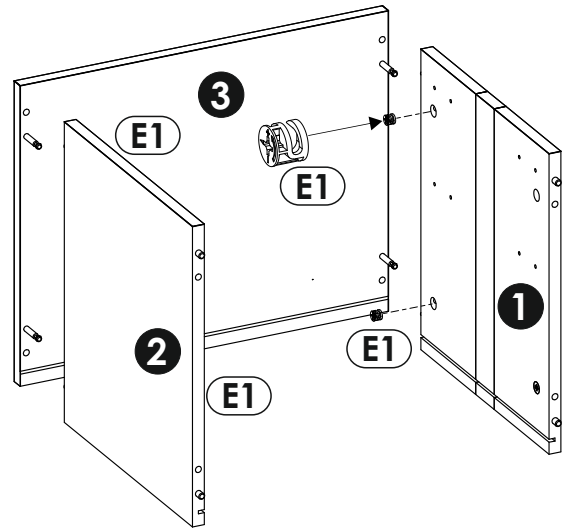
5 ▶



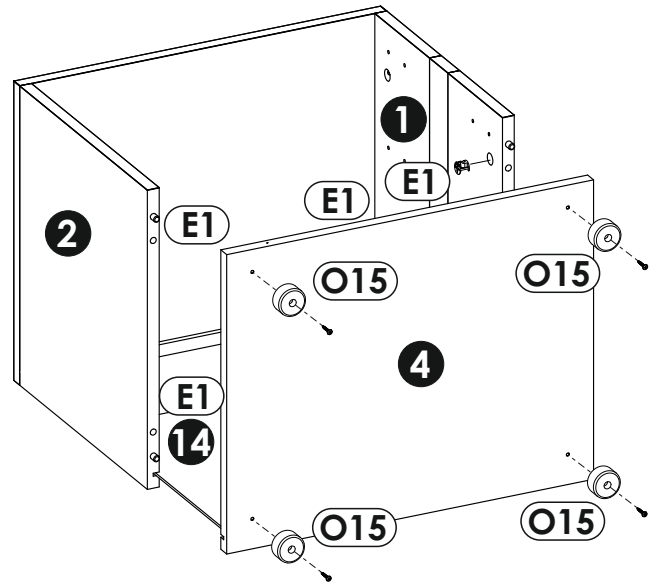
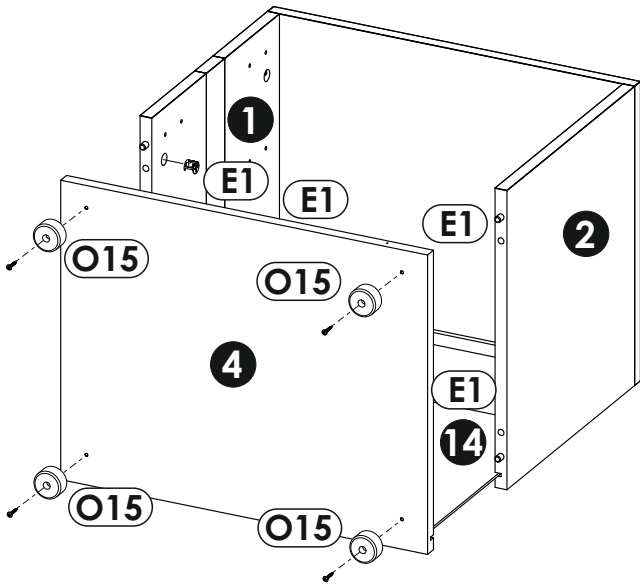
6 ▶



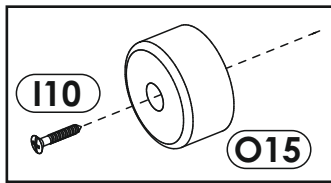
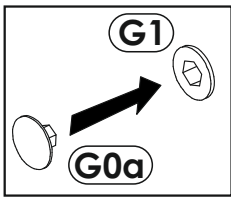
L | P



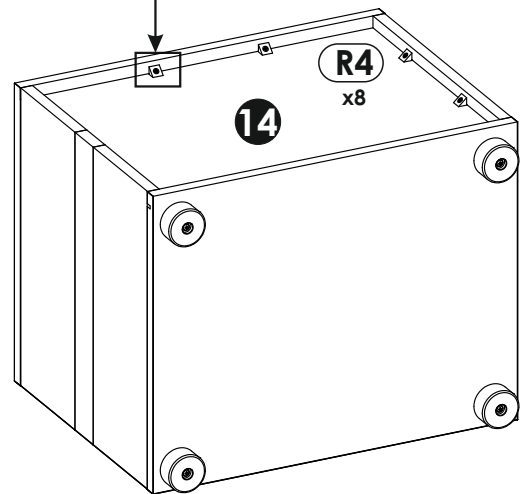
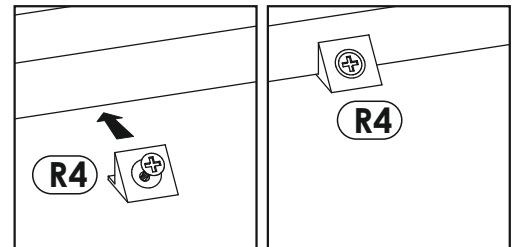
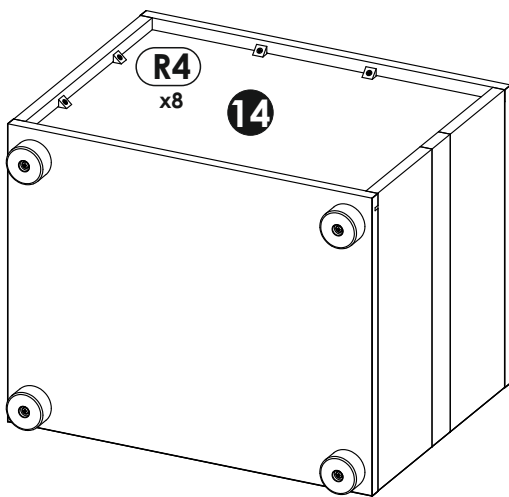
7 ▶



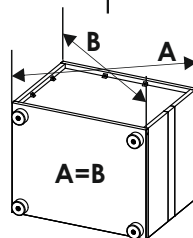
L P



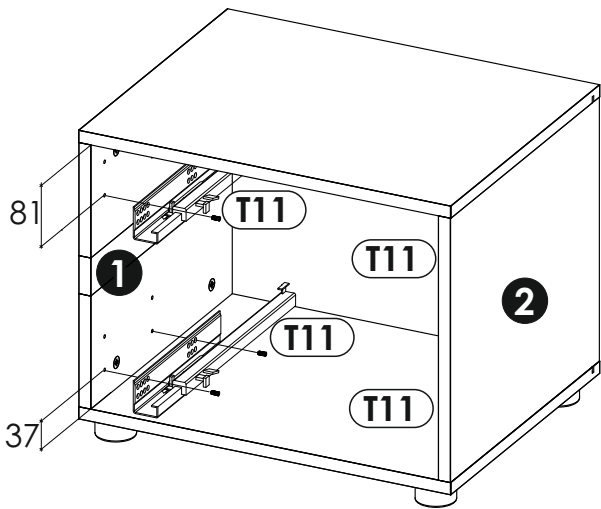
8 ▶



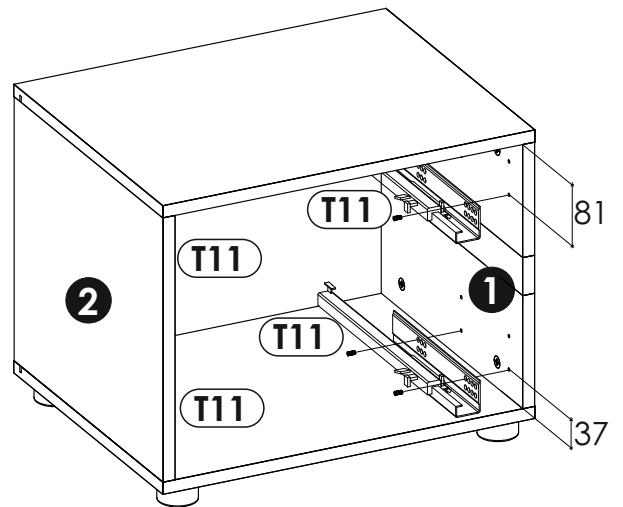
L P



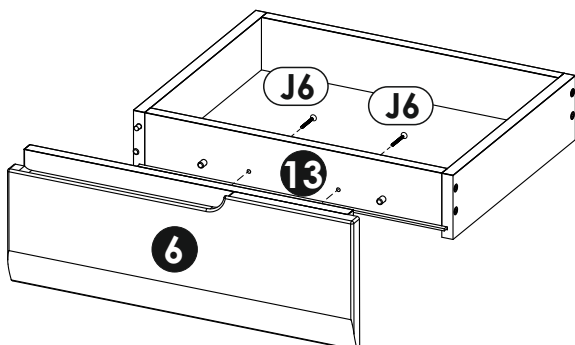
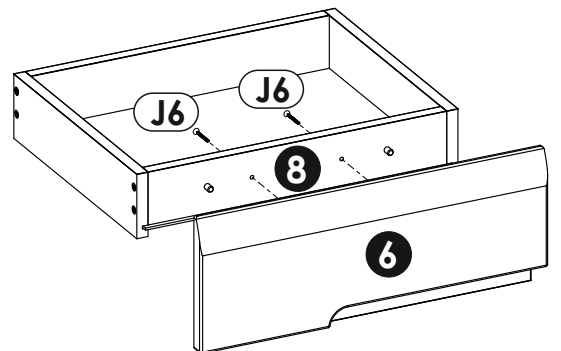
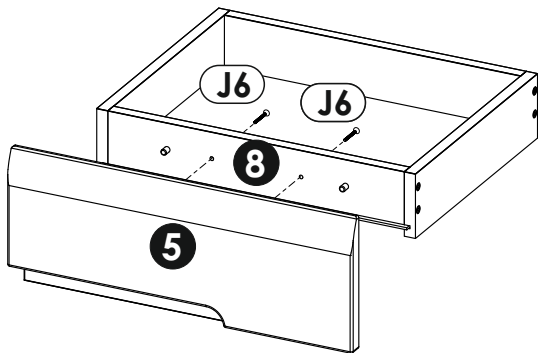
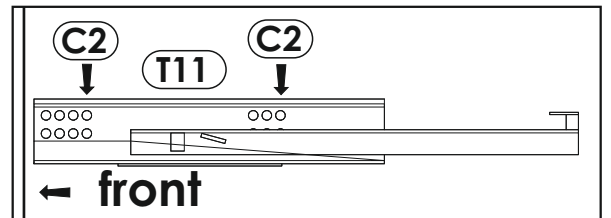
9 ▶



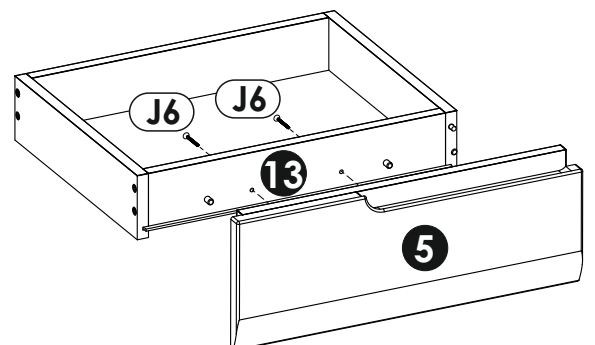
L P

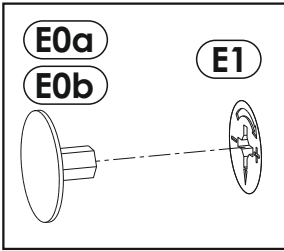


10 ▶



L P





max.
5 kg

