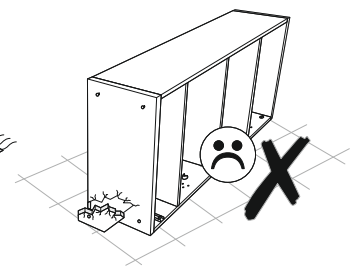
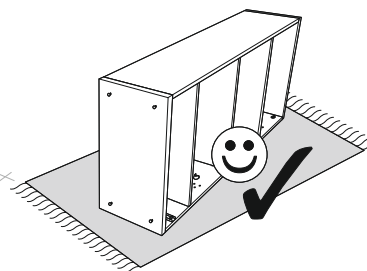
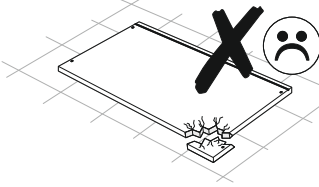
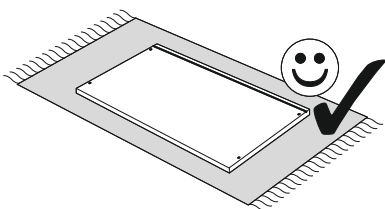
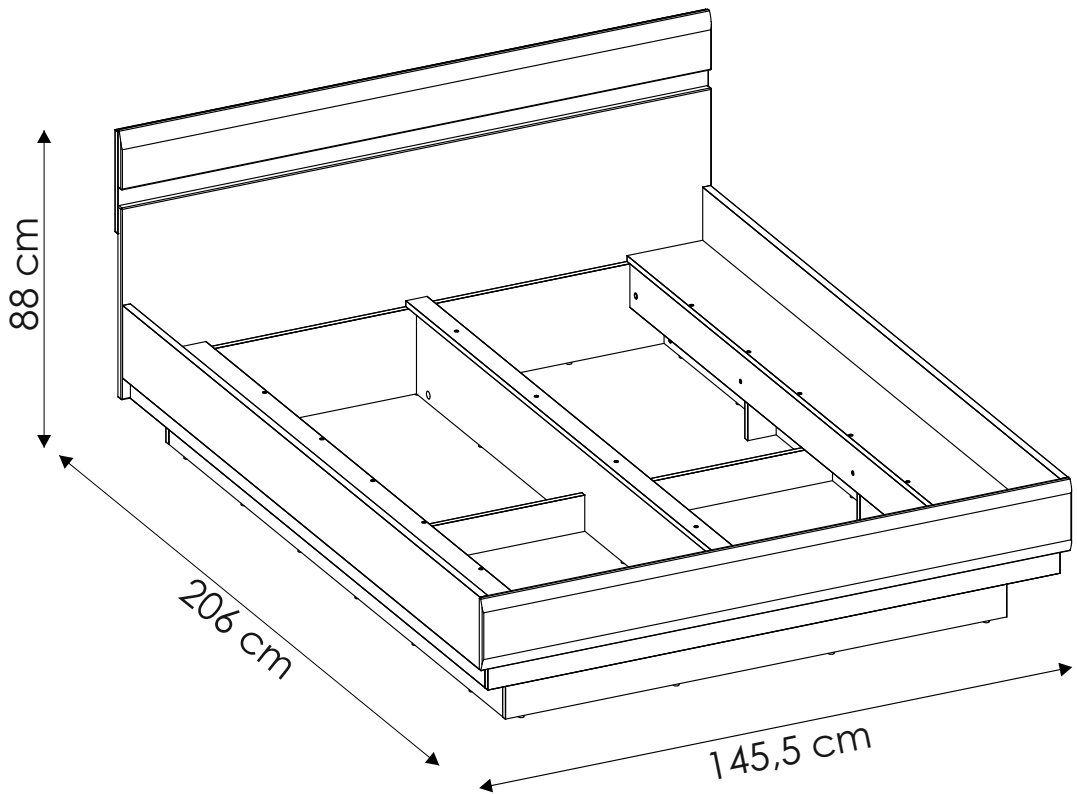
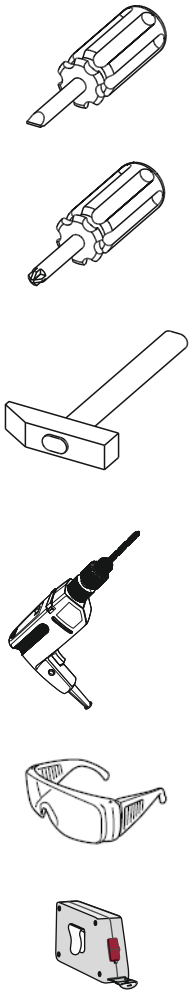
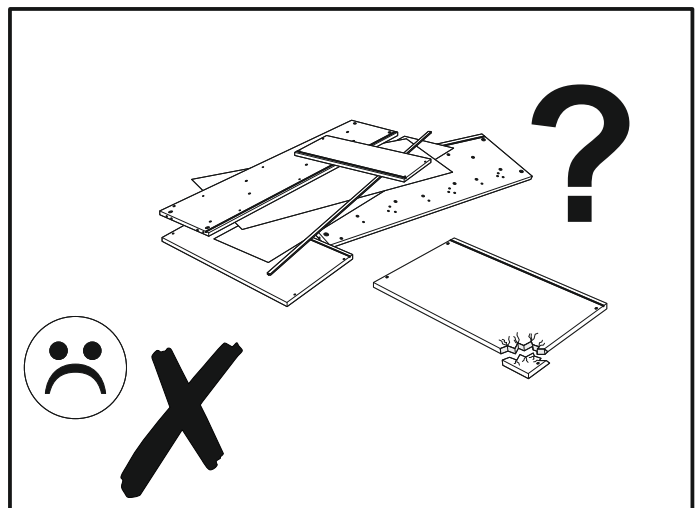
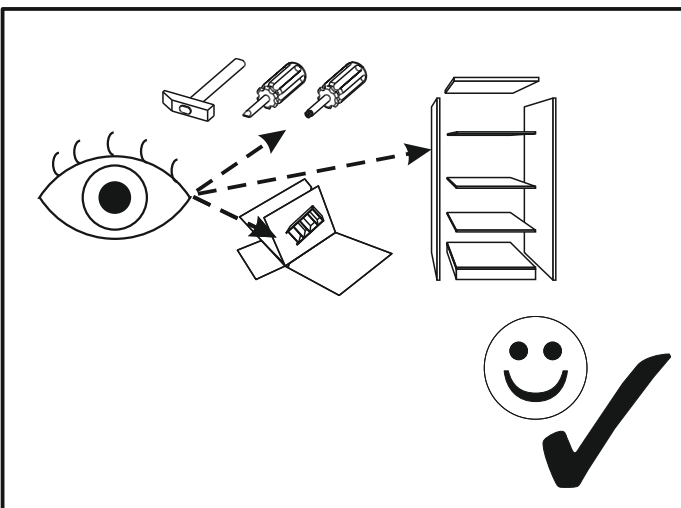
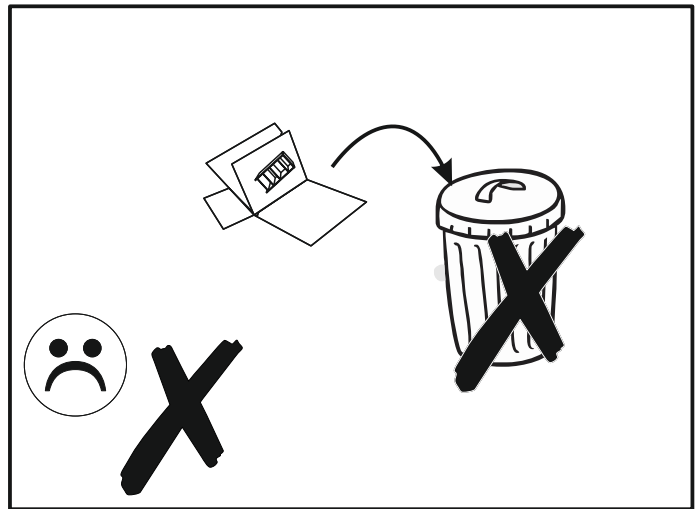
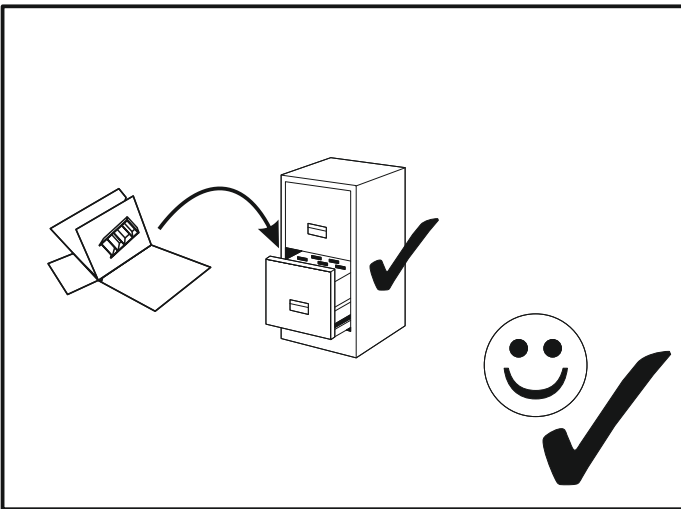
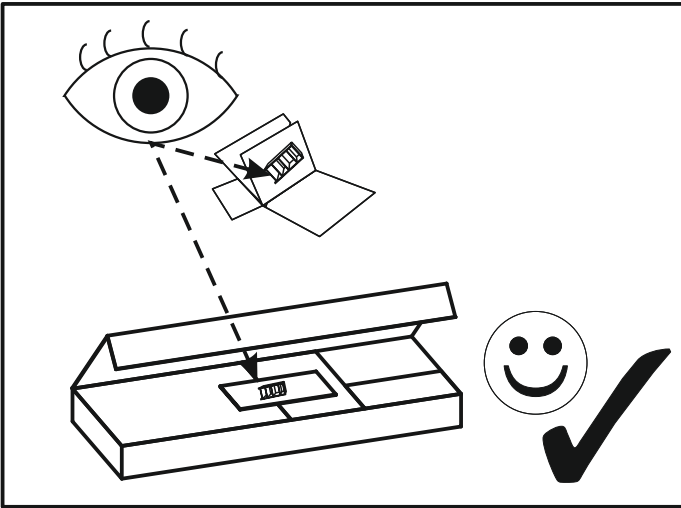
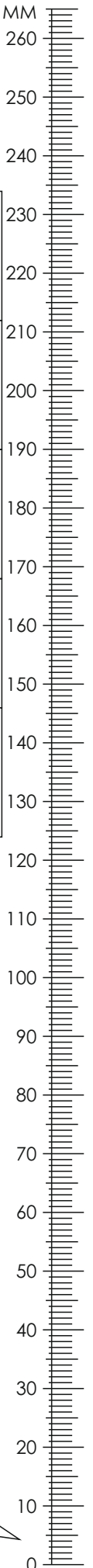




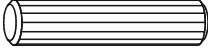




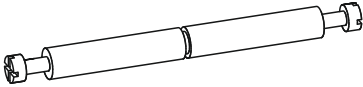
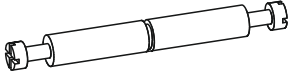


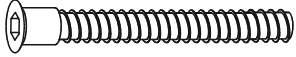

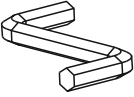
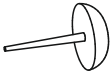
CHELSEA 4029144 / TYP 91

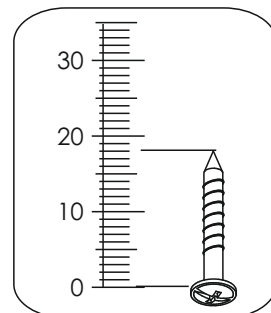




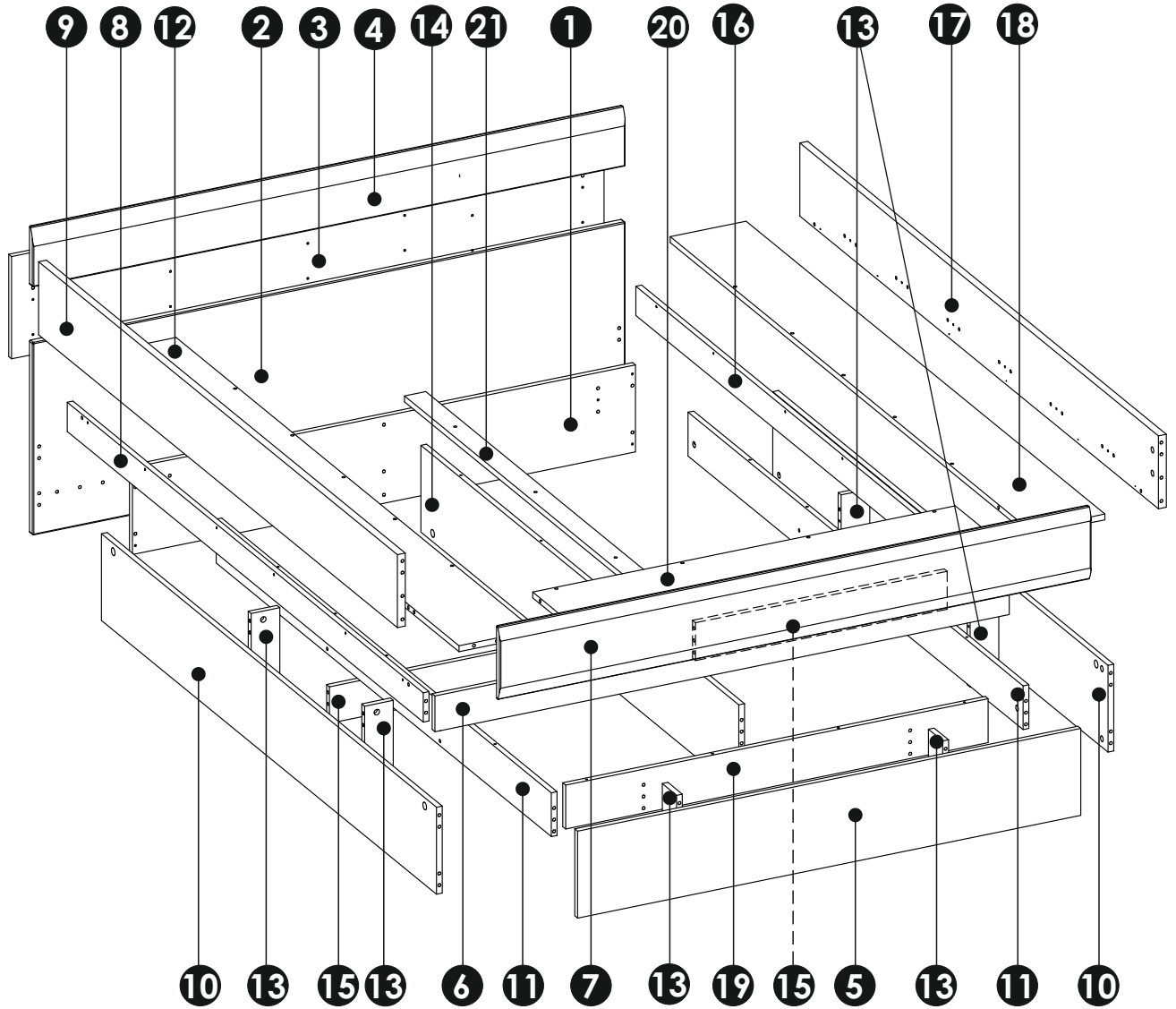
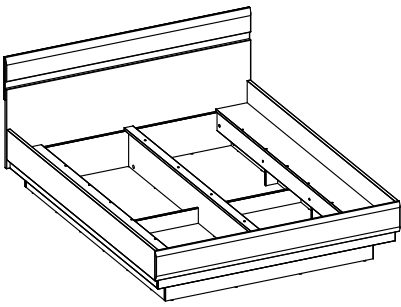
LINATE TYP 91



A0 x8 $\phi 8 \times 24$ mm 	A1 x96 $\phi 8 \times 35$ mm 	A2 x4 $\phi 8 \times 45$ mm 
A3 x2 $\phi 8 \times 60$ mm 	E0 x56 	E1 x56 
F1 x50 	F4 x1 $\phi 7 \times 76$ mm 	F7 x2 $\phi 7 \times 32$ mm 
G0 x31 	G1 x27 $\phi 7 \times 50$ mm 	G4 x4 $\phi 7 \times 60$ mm 
J6 x40 4 x 30 mm 	M x1 	O2 x29 



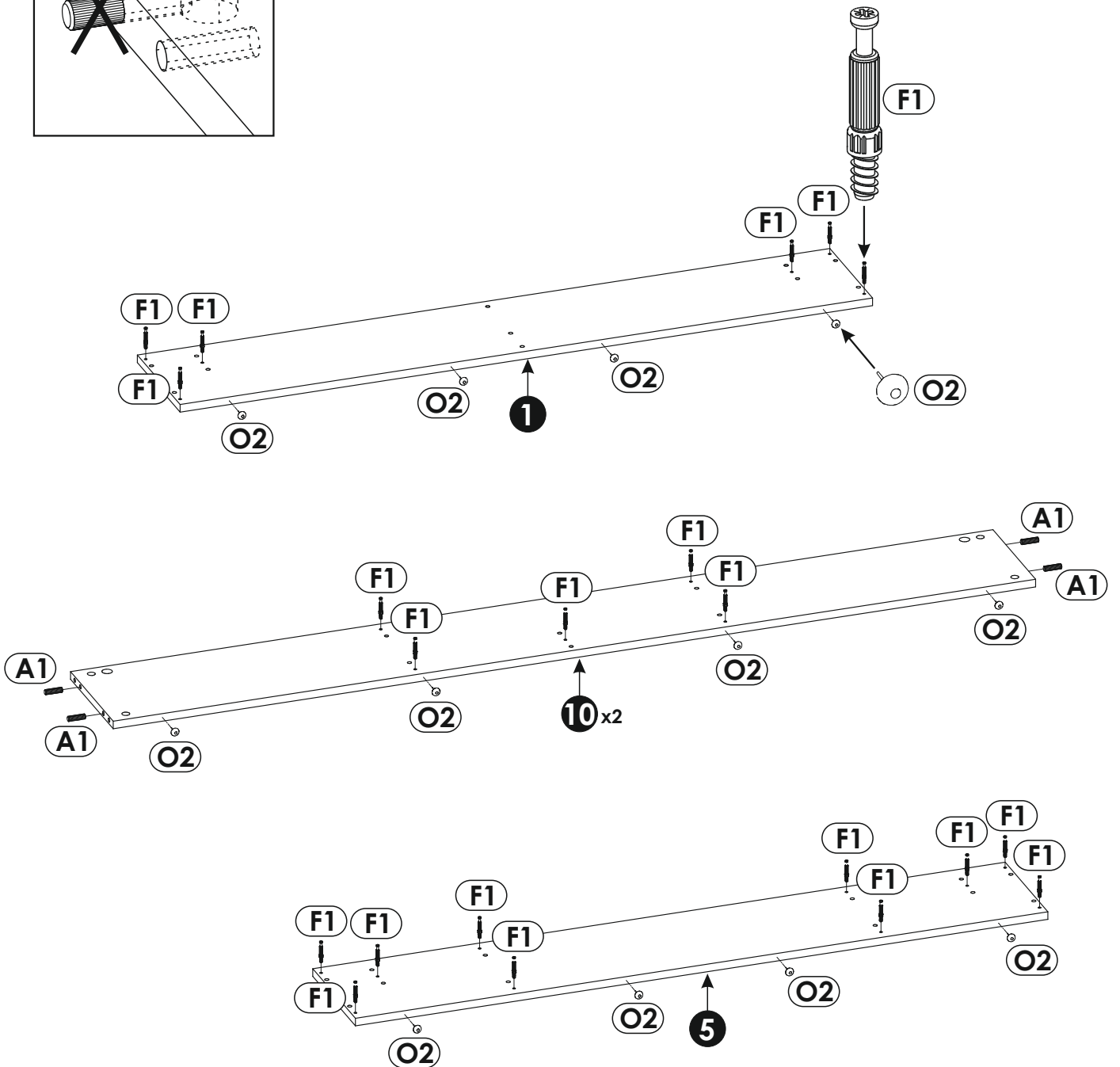
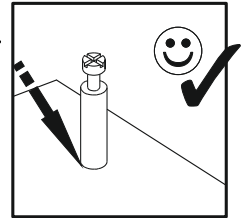
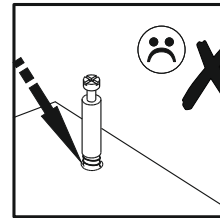
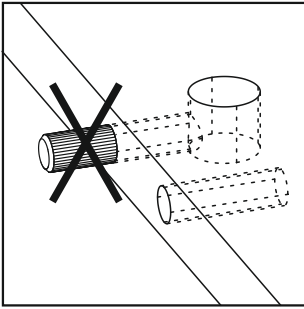
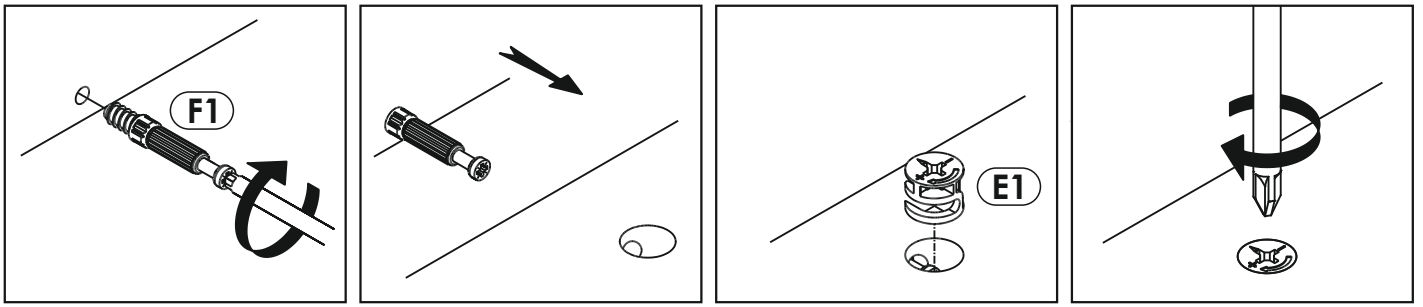
LINATE TYP 91



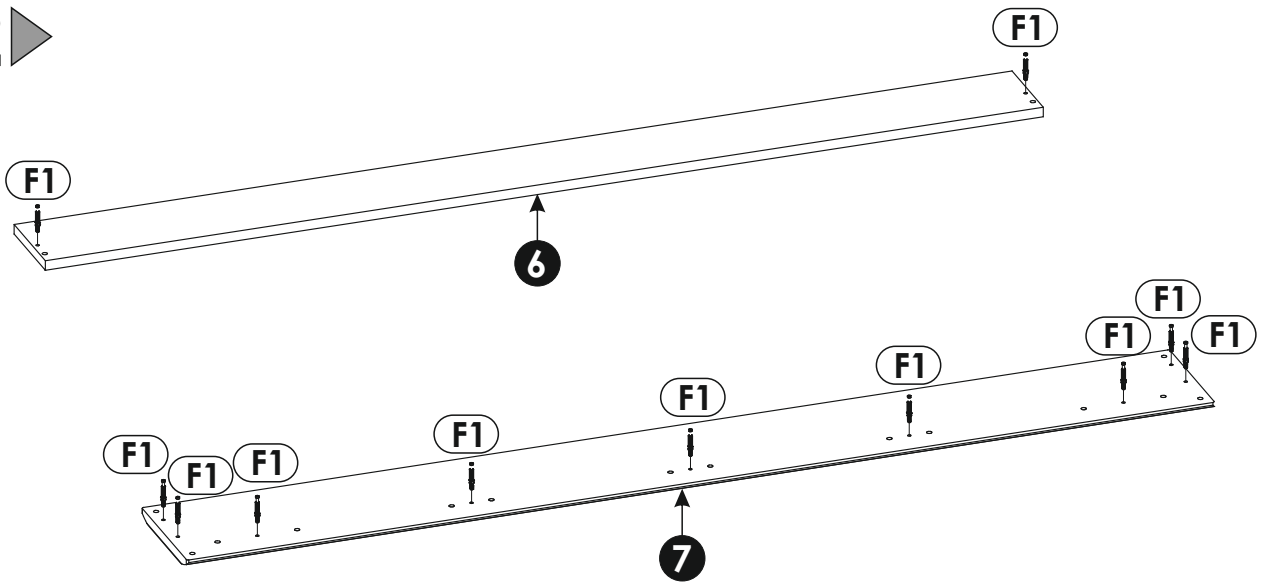
1	1206	238	16	x1	1/4
2	1456	527	19	x1	4/4
3	1456	280	16	x1	1/4
4	1456	160	19	x1	4/4
5	1206	238	16	x1	1/4
6	1405	98	16	x1	1/4
7	1453	200	19	x1	4/4

8	1989	80	16	x1	2/4
9	2005	200	22	x1	2/4
10	1873	238	16	x2	3/4
11	1873	120	16	x2	3/4
12	2005	212	16	x1	2/4
13	238	80	16	x1	1/4
14	1777	238	16	x1	3/4

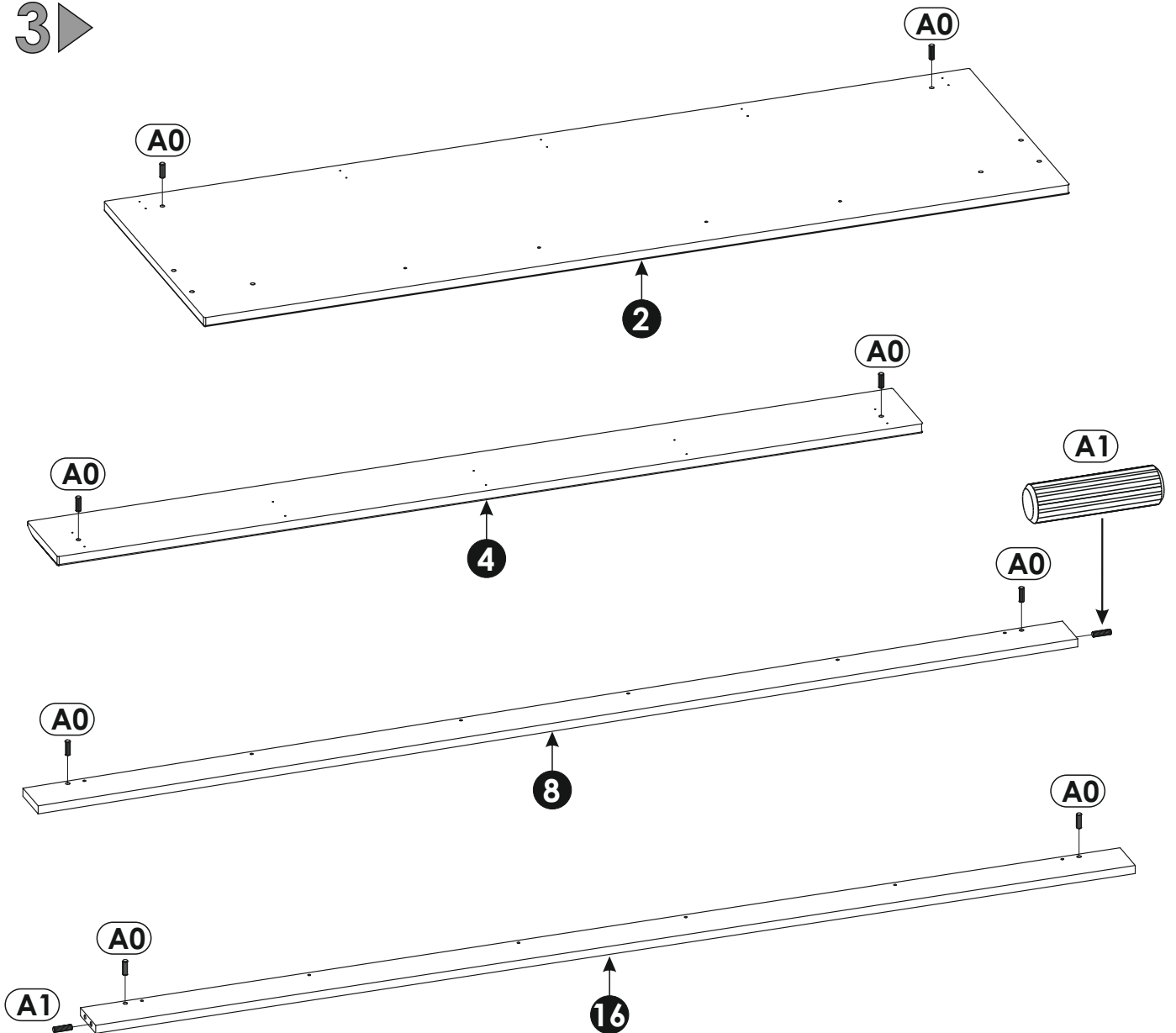
15	578	100	16	x2	1/4
16	1989	80	16	x1	2/4
17	2005	200	22	x1	2/4
18	2005	212	16	x1	2/4
19	981	120	16	x1	1/4
20	981	212	16	x1	1/4
21	1793	60	16	x1	1/4



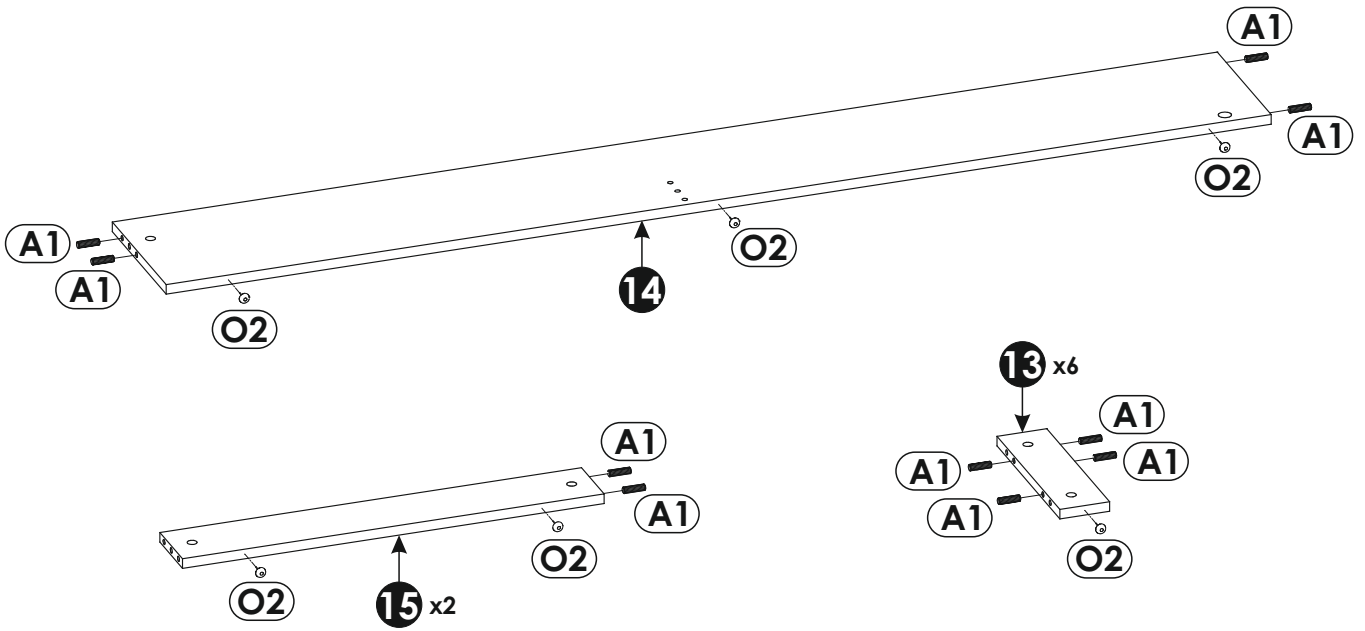
2 ▶



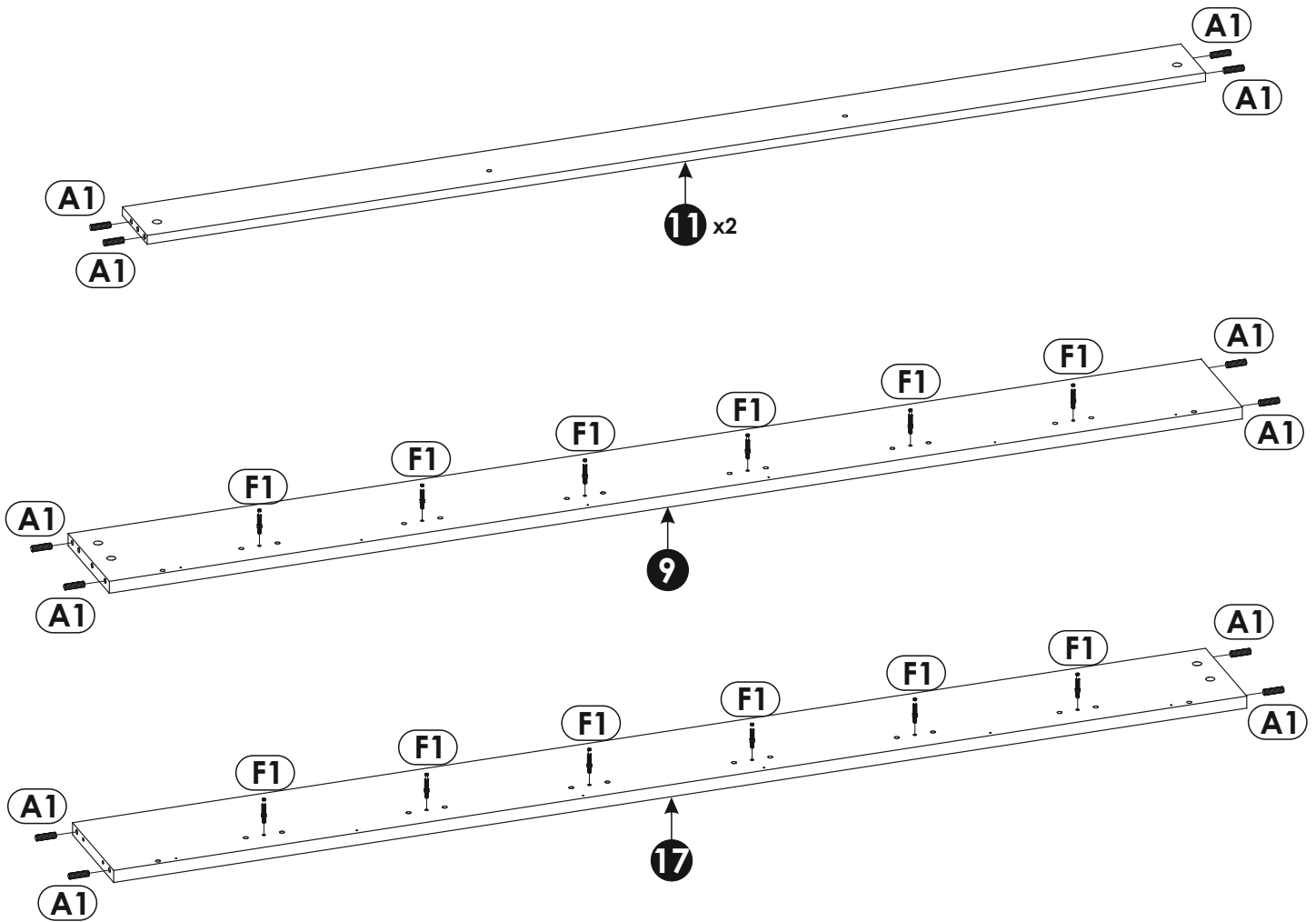
3 ▶



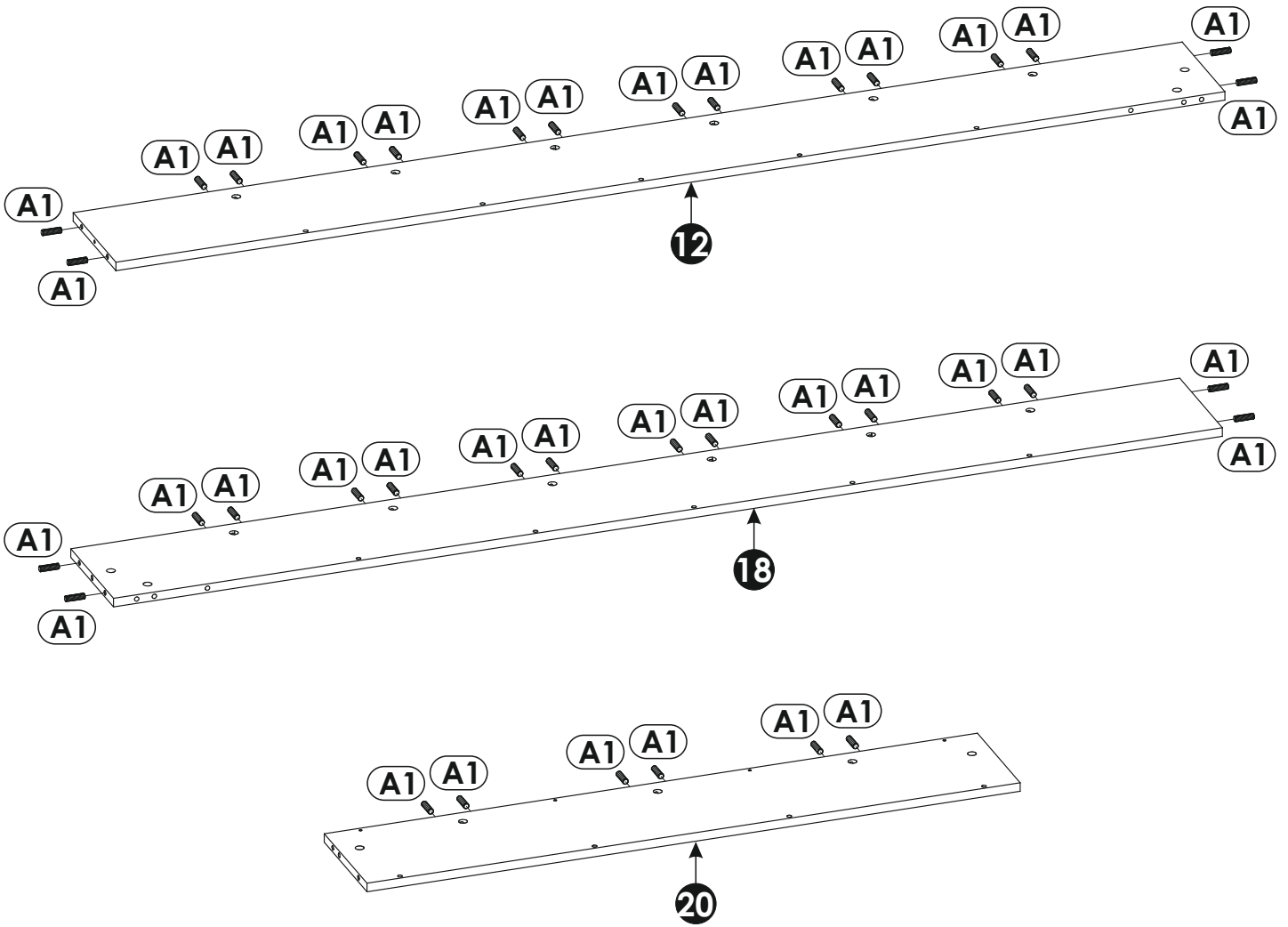
4▶



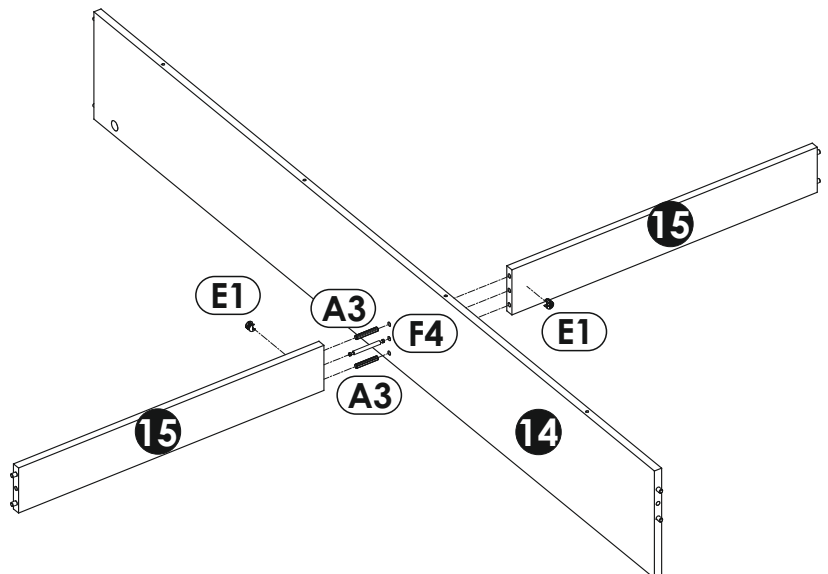
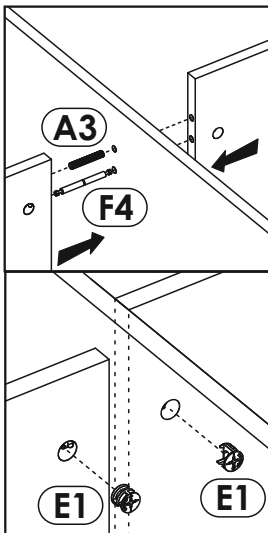
5▶



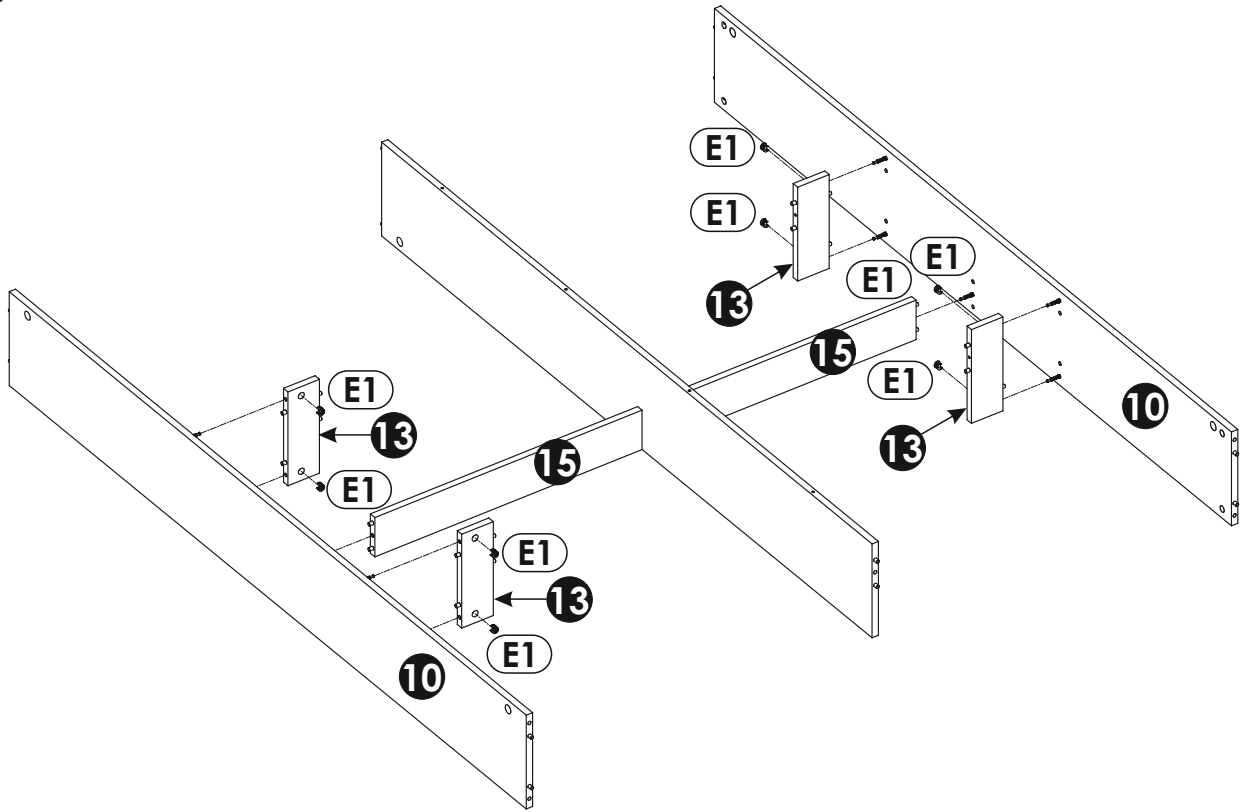
6 ▶



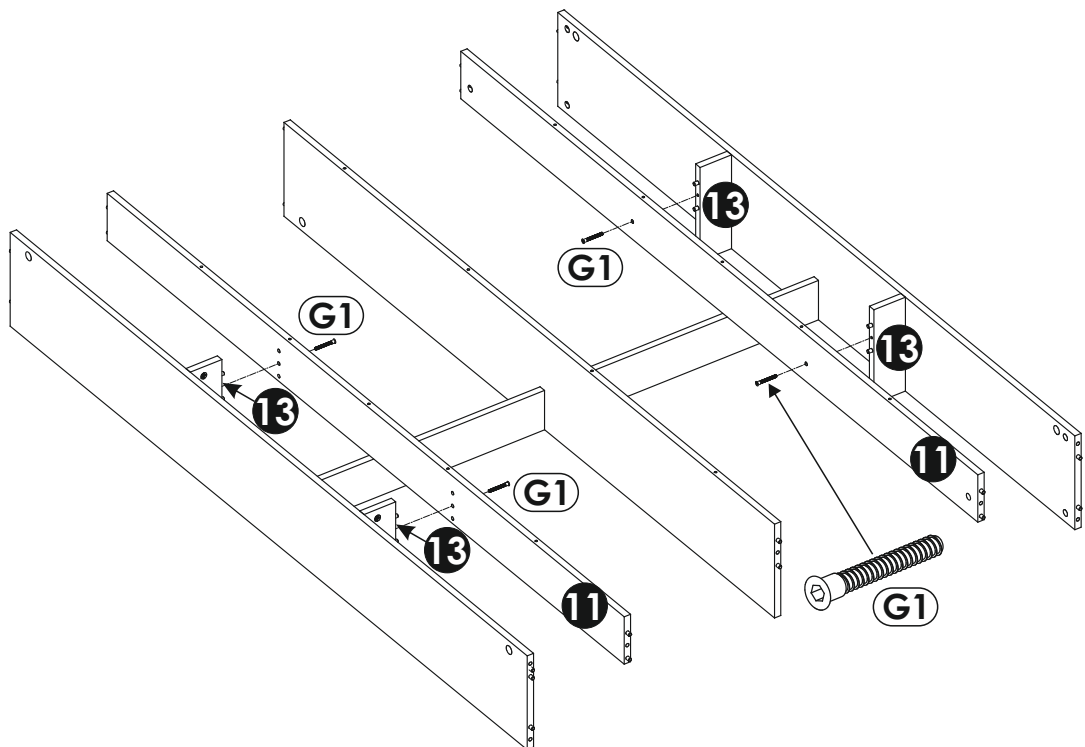
7 ▶



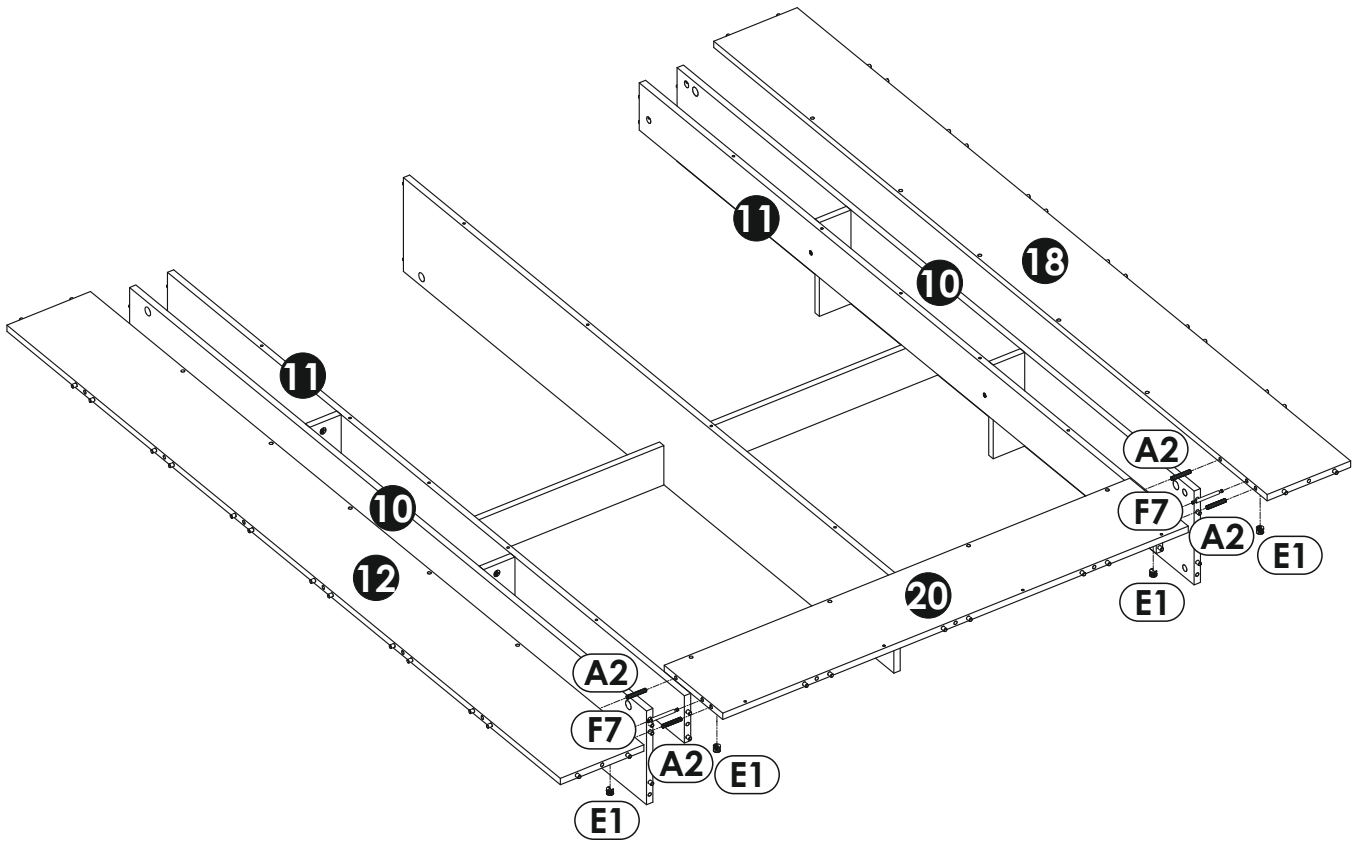
8 ▶



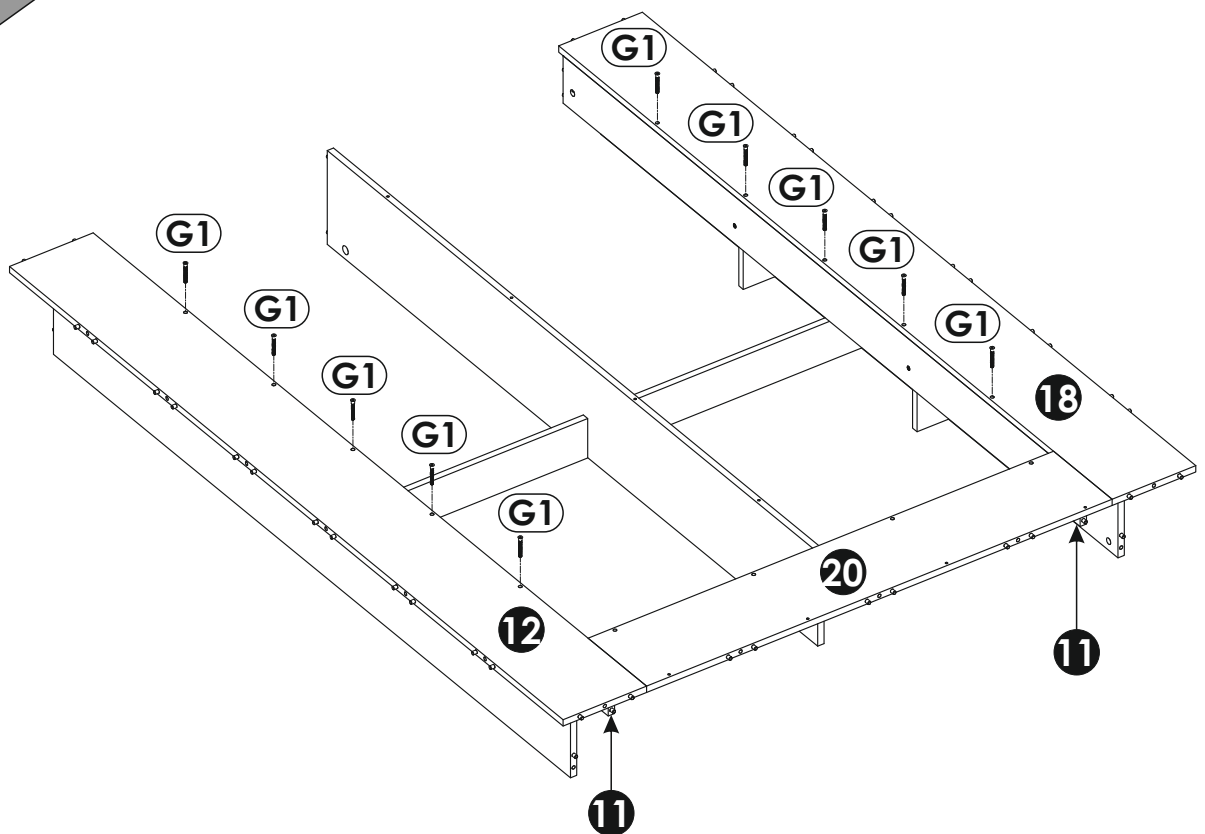
9 ▶



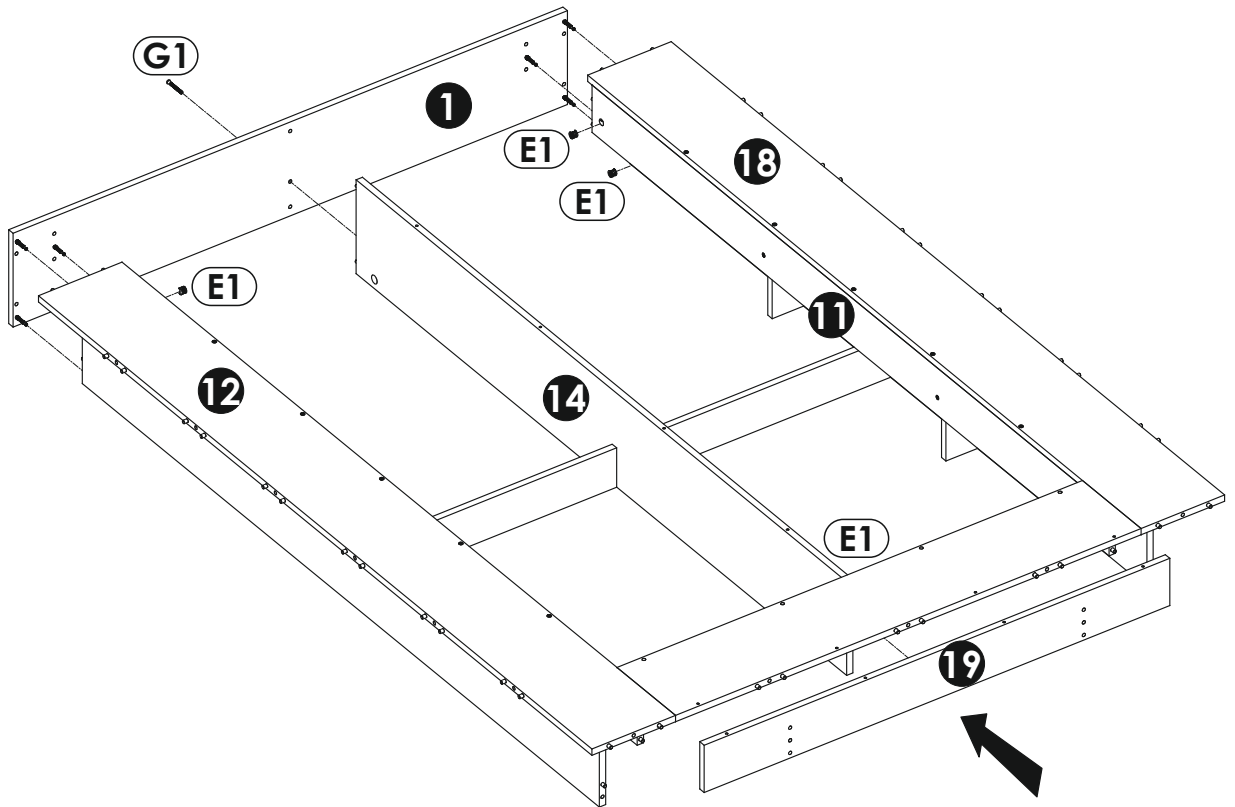
10 ▶



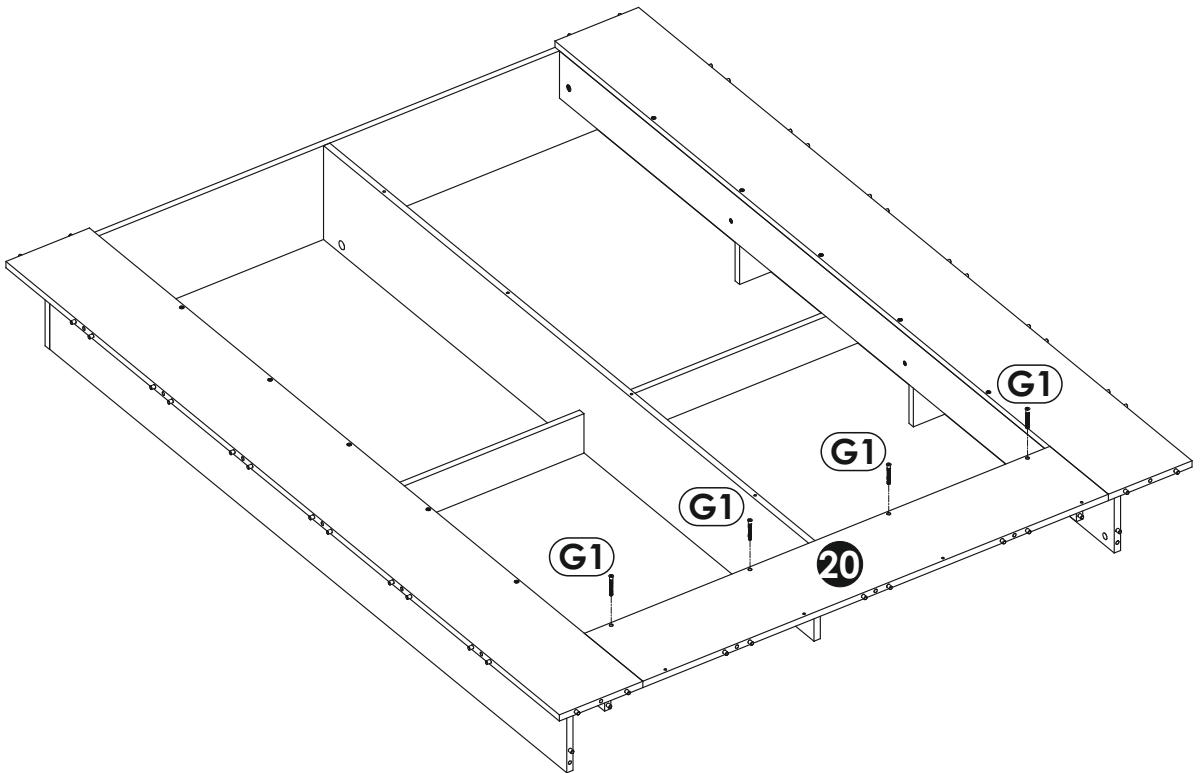
11 ▶



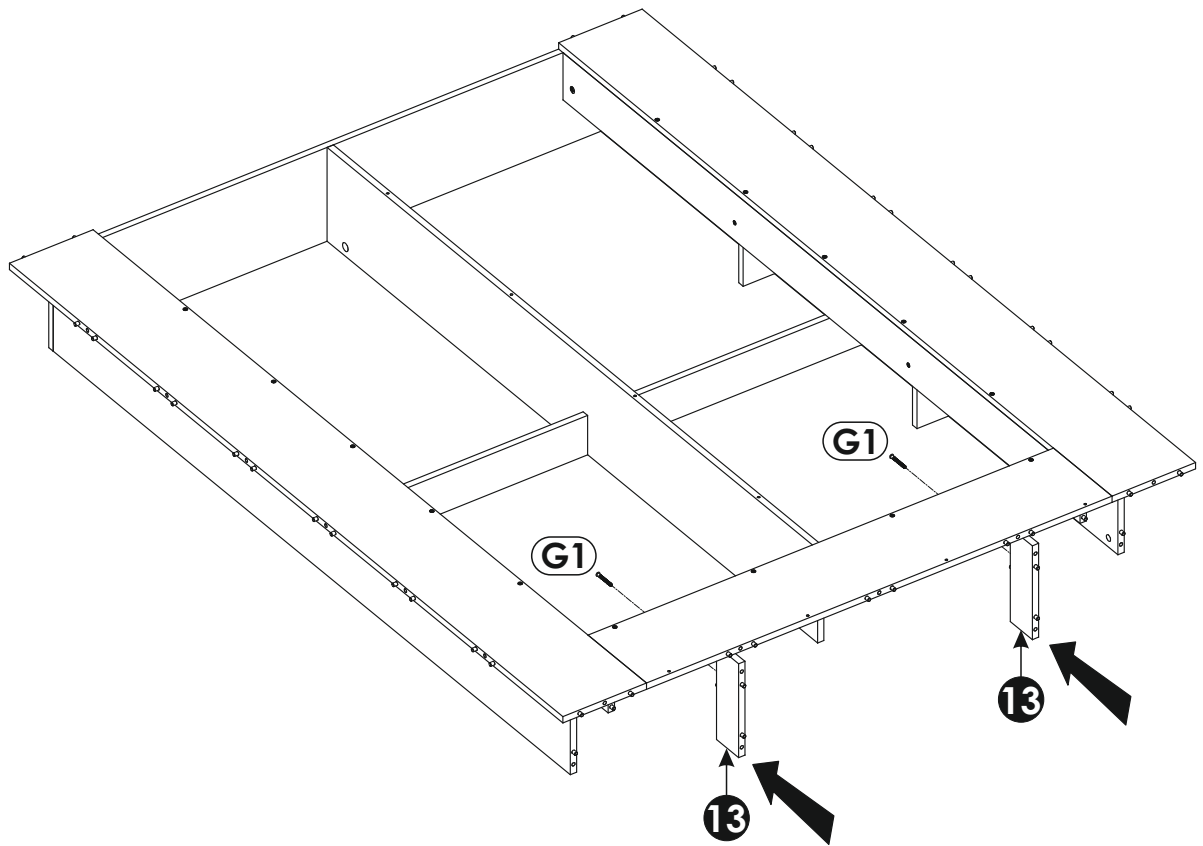
12▶



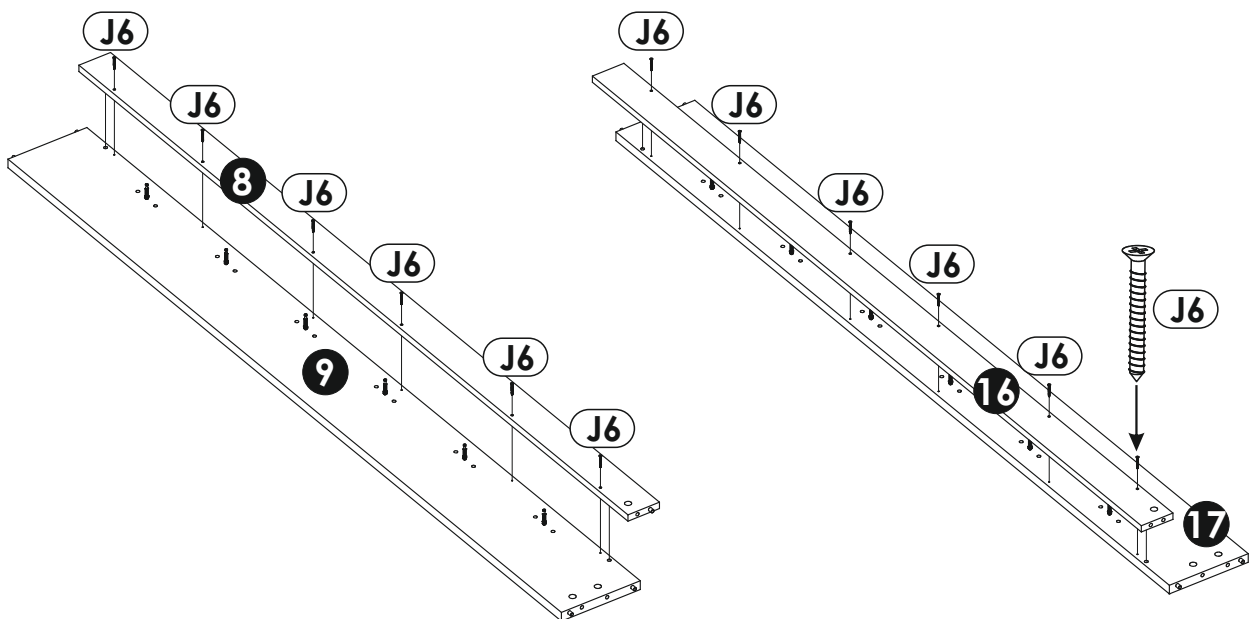
13▶



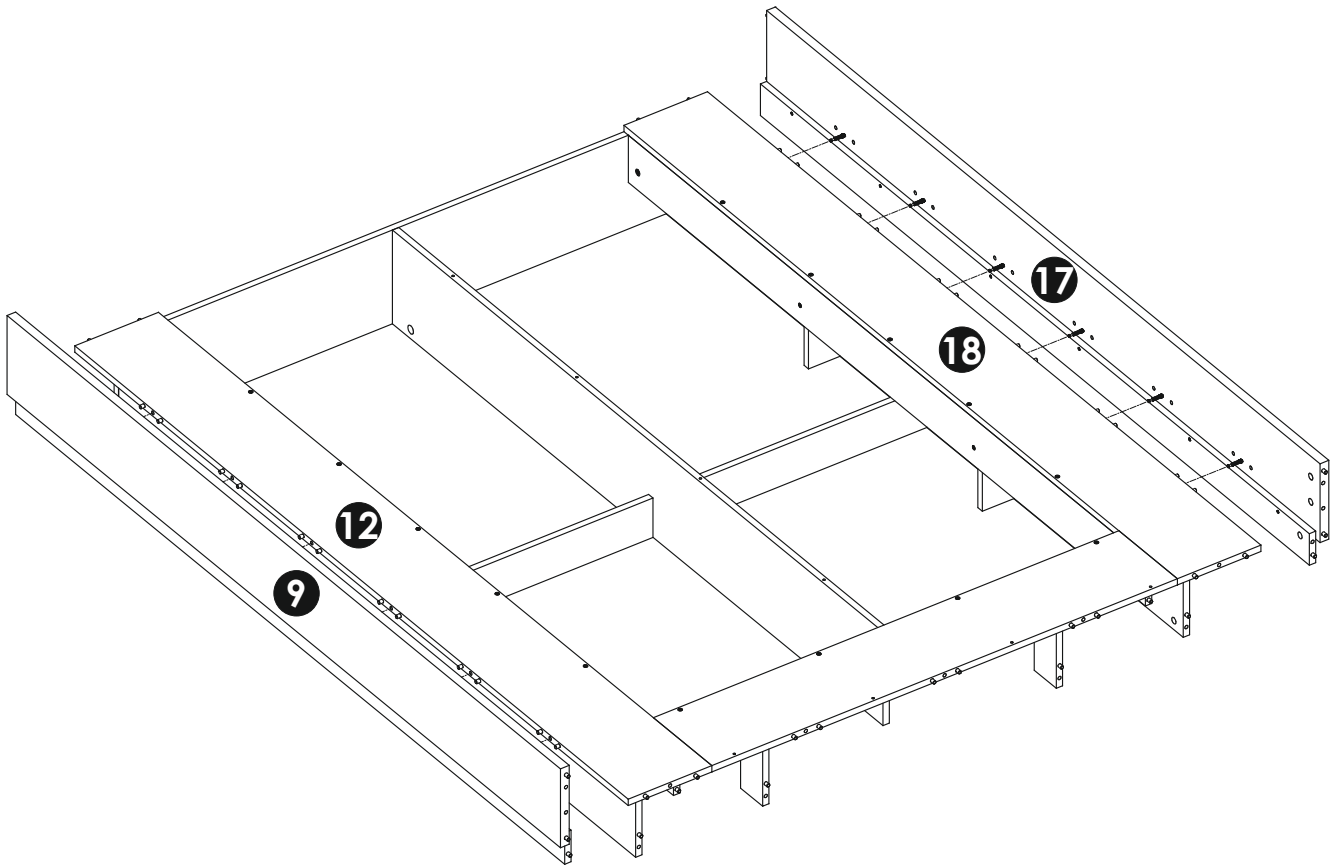
14▶



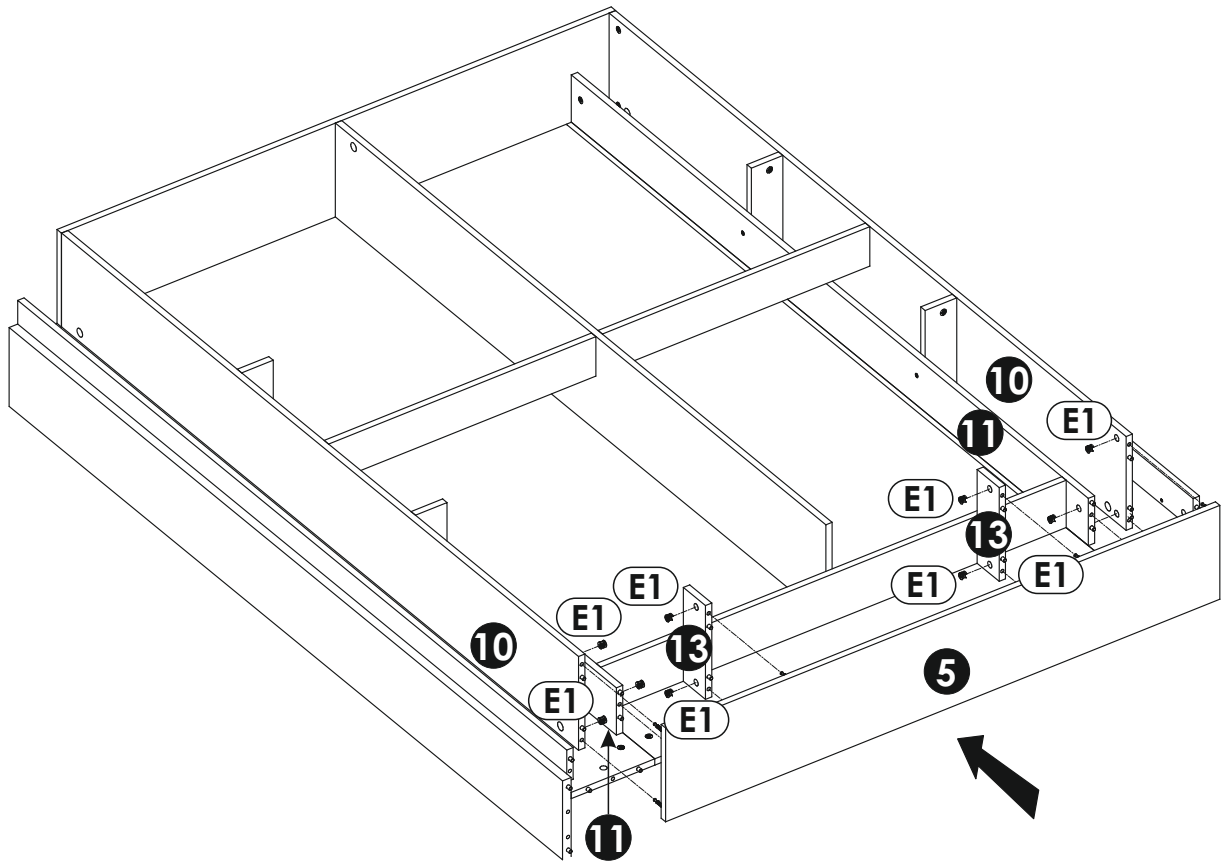
15▶



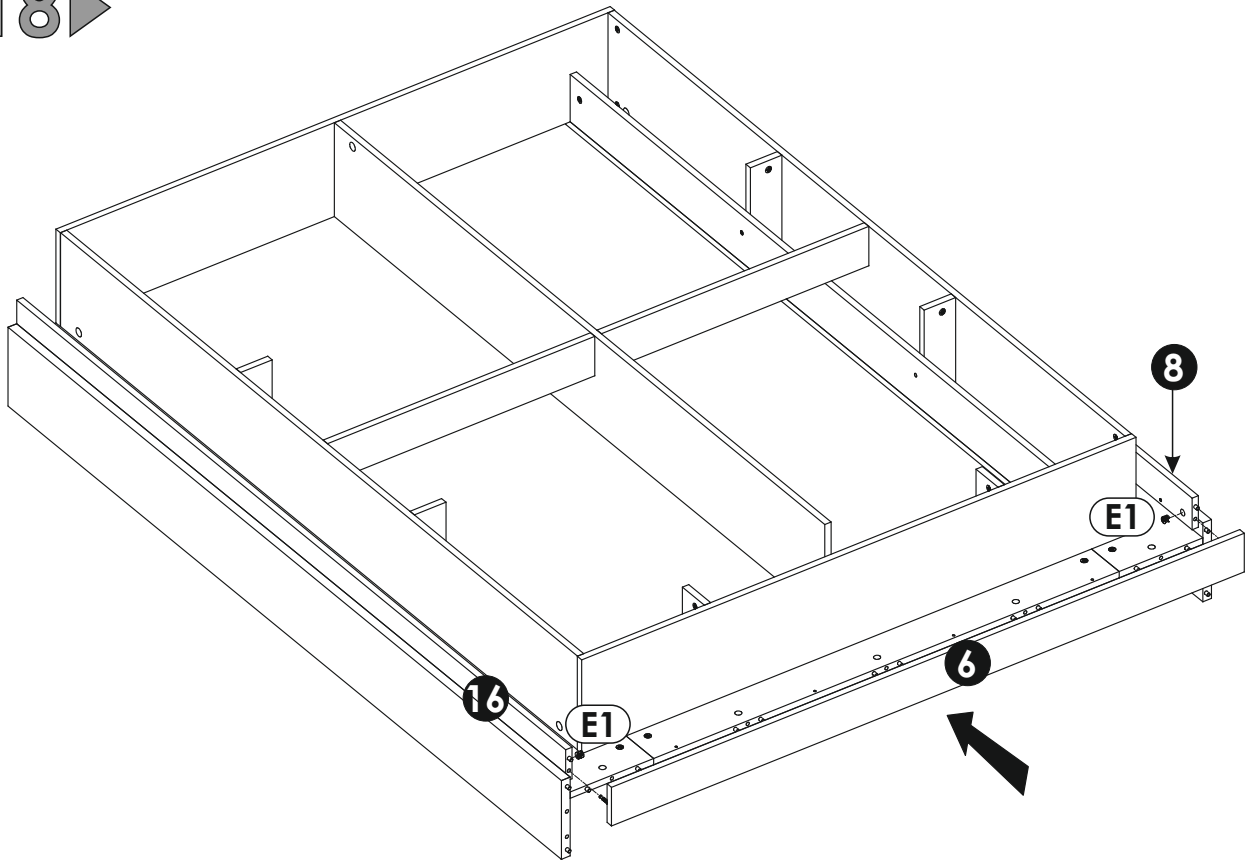
16 ▶



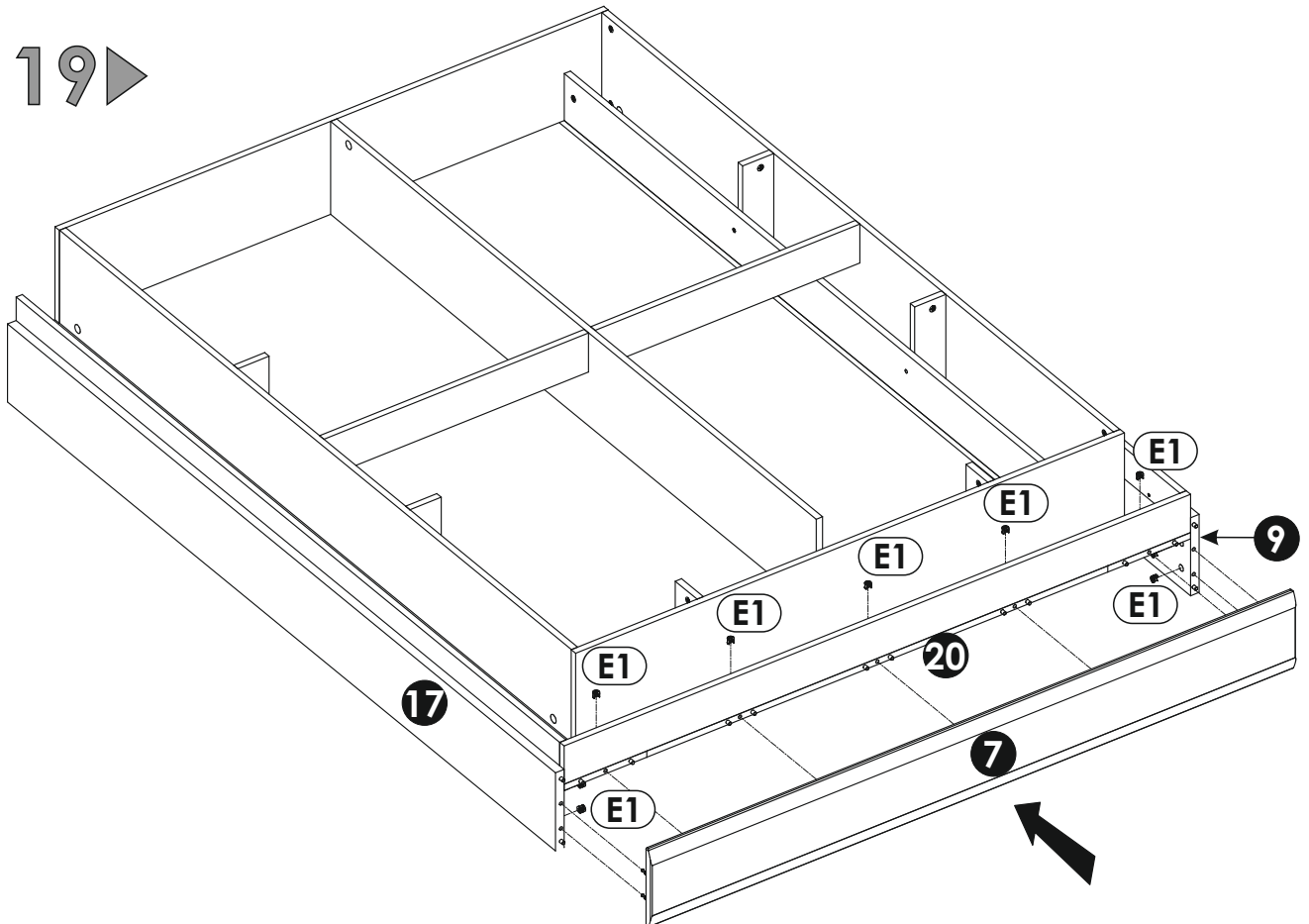
17 ▶



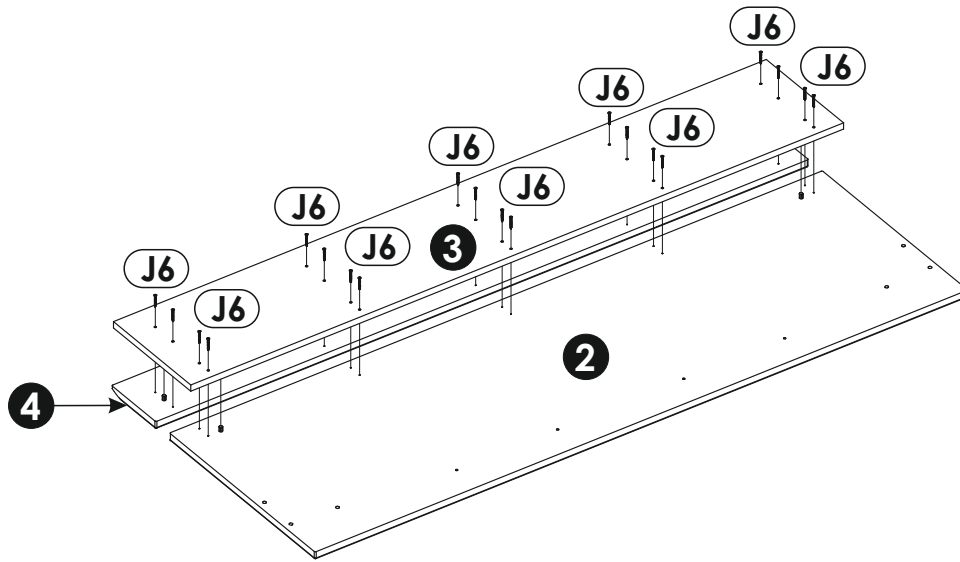
18 ▶



19 ▶



20 ▶



21 ▶

