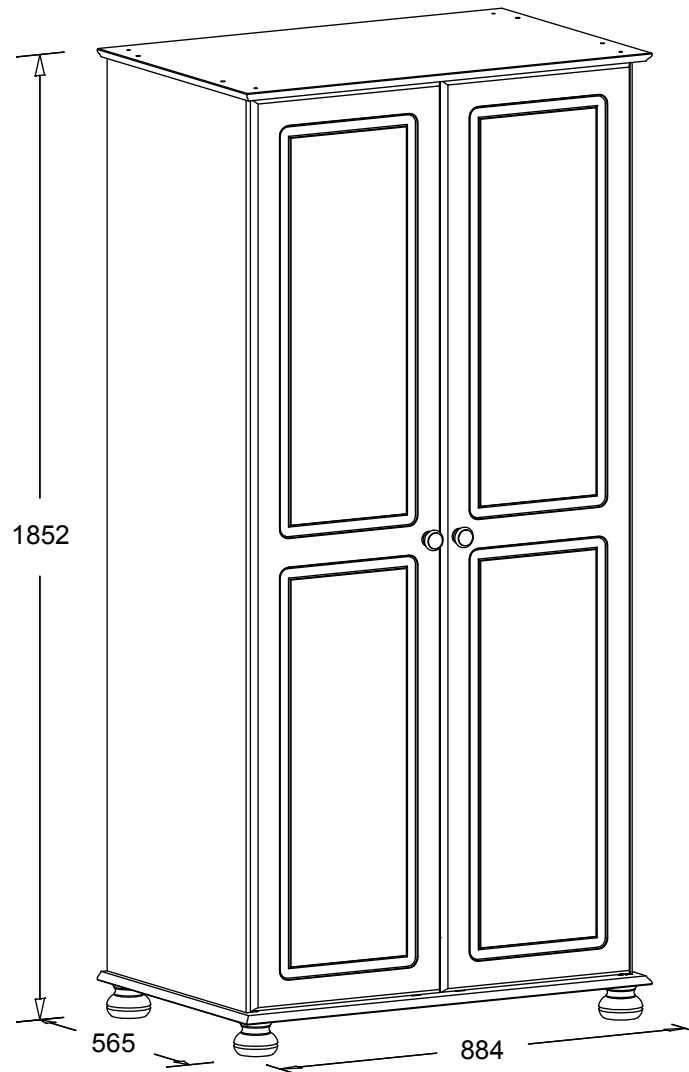
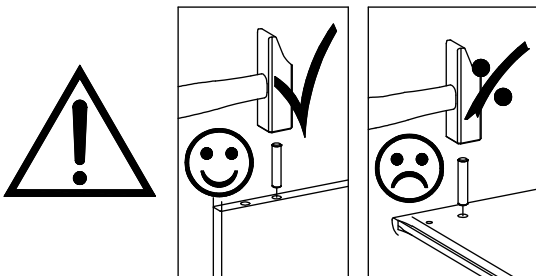


2 Door Wardrobe

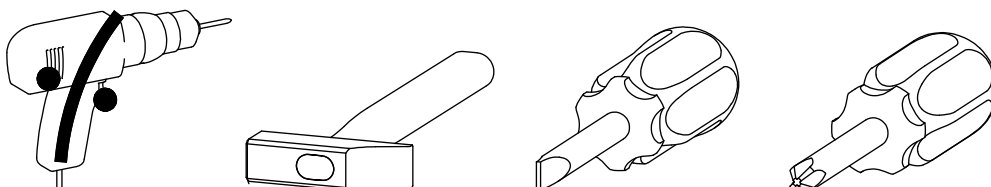
1012111

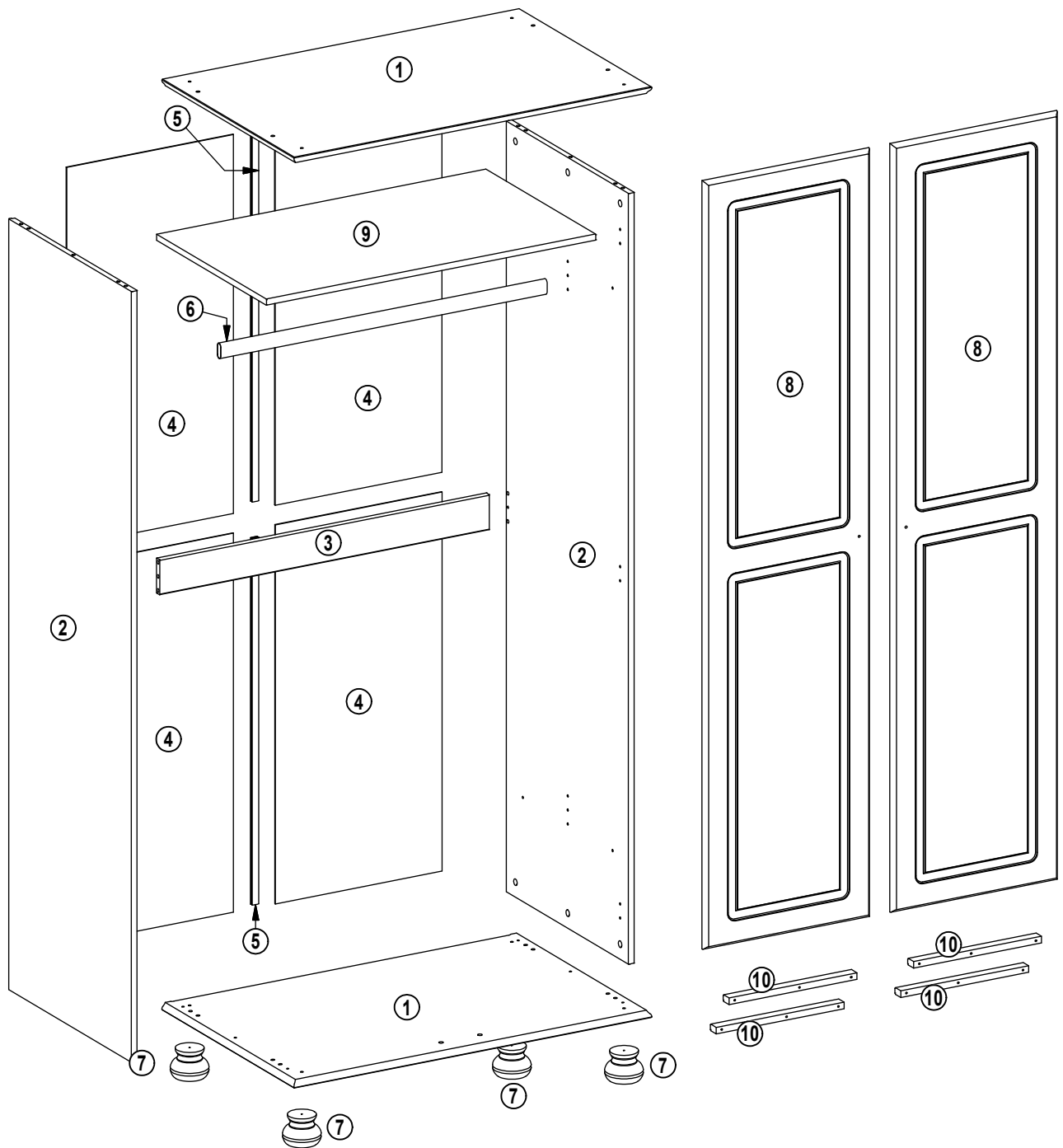


Important!



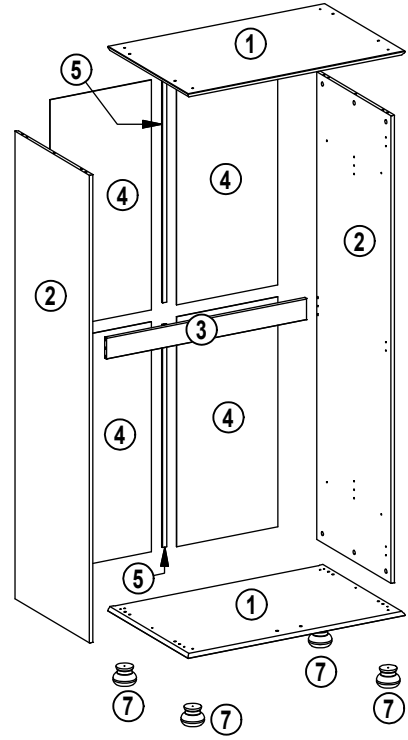
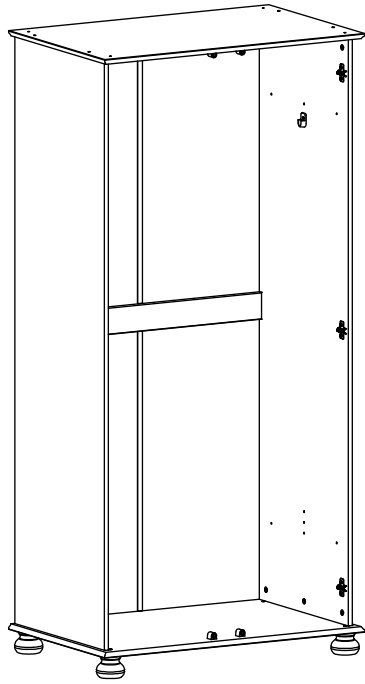
Please, read the assembly instruction carefully, before assembling.



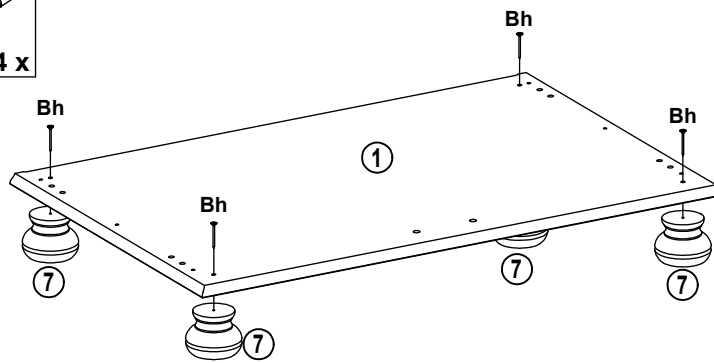
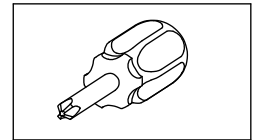
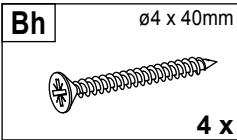


	Aa $\varnothing 8 \times 40\text{mm}$ 12 x	Ba $\varnothing 3,5 \times 35\text{mm}$ 12 x	Bc $\varnothing 3,5 \times 15\text{mm}$ 14 x	Bh $\varnothing 4 \times 40\text{mm}$ 4 x	Bo $\varnothing 3 \times 12\text{mm}$ 4 x
	Ca $\varnothing 15 \times 10,5\text{mm}$ 14 x	Cb $\varnothing 5 \times 8, \text{cc}34\text{mm}$ 14 x	Di $1,2 \times 15\text{mm}$ 50 x	Fa $\varnothing 5/\varnothing 5\text{mm}$ 6 x	Fl 2 x
	Gn $\varnothing 39 \times 30\text{mm}$ 2 x	Jc $\varnothing 4 \times 35\text{mm}$ 2 x	Mc 0mm 6 x	Me $\varnothing 26\text{mm}$ 6 x	
	Pc 4 x	Pd $35 \times 12\text{mm}$ 4 x			

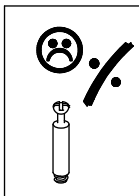
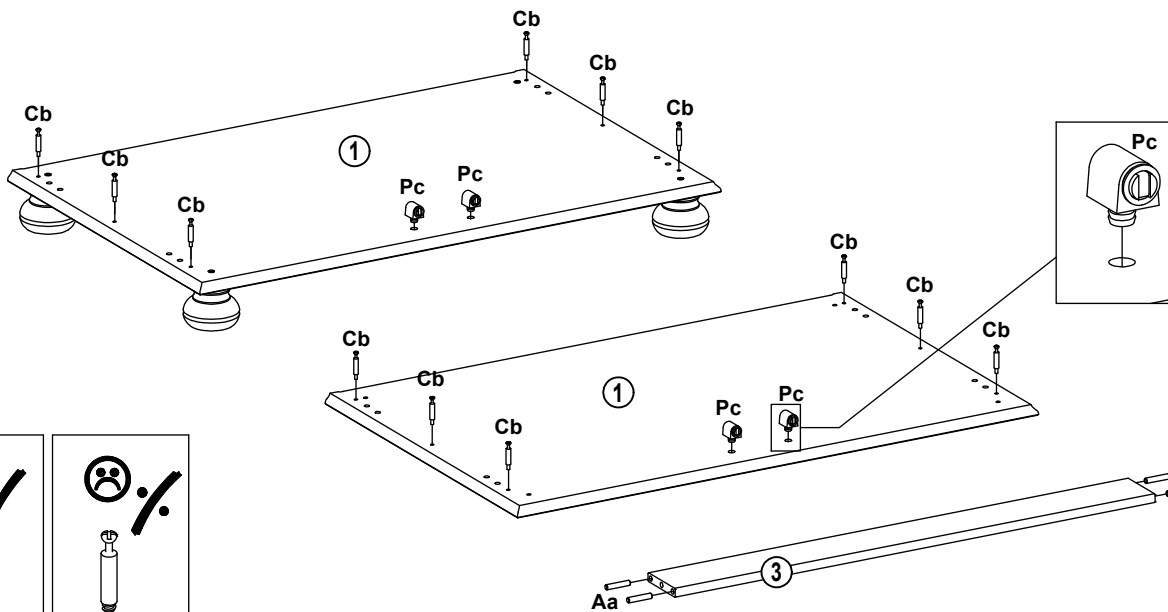
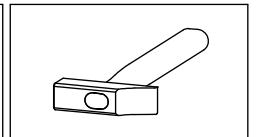
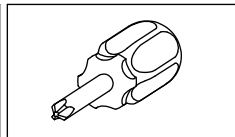
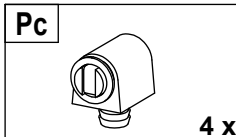
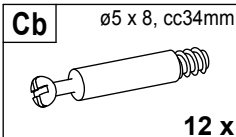
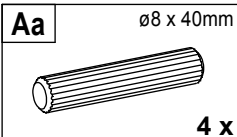
1



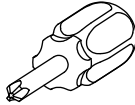
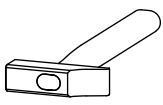

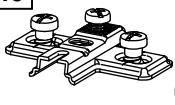
1.1

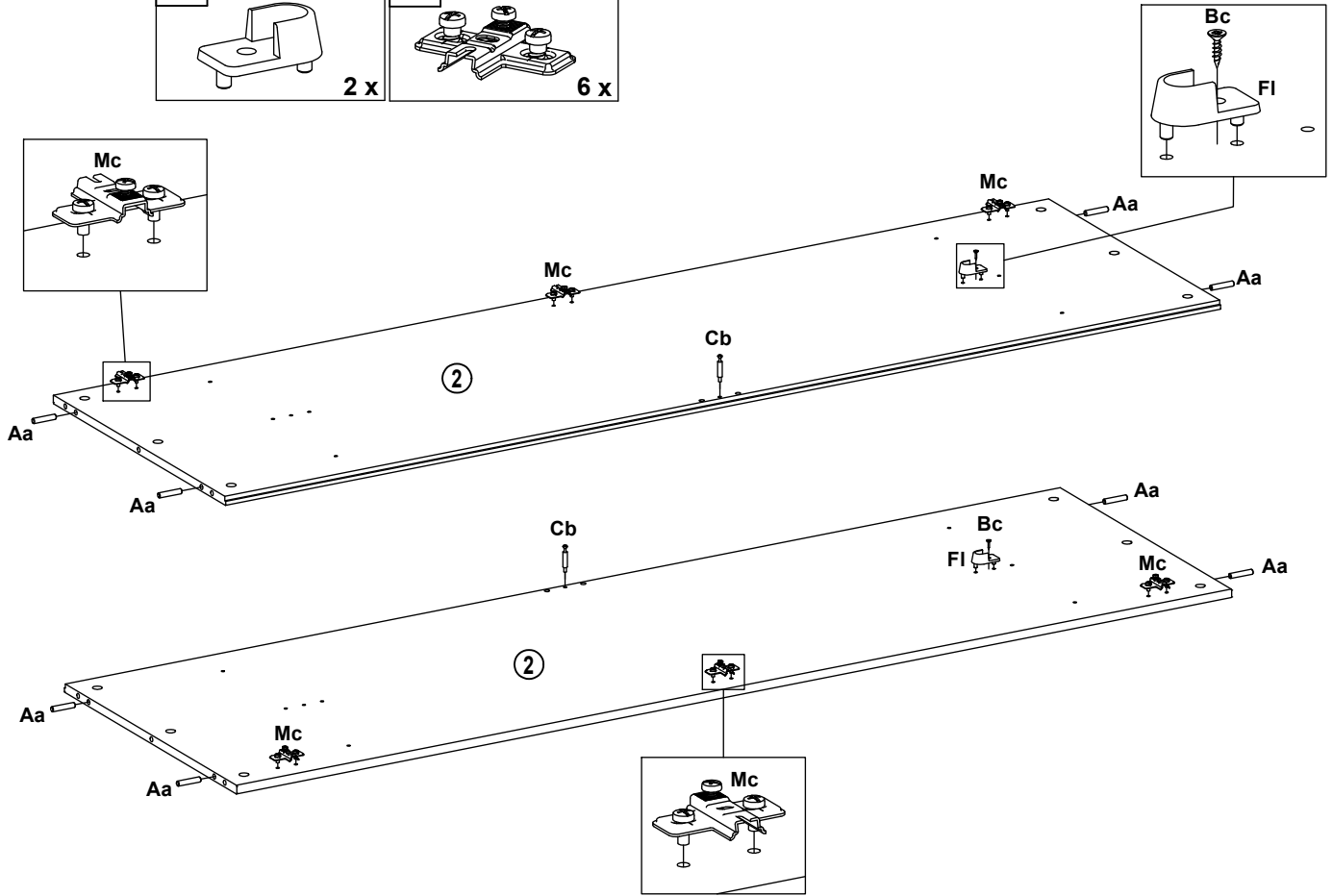


1.2



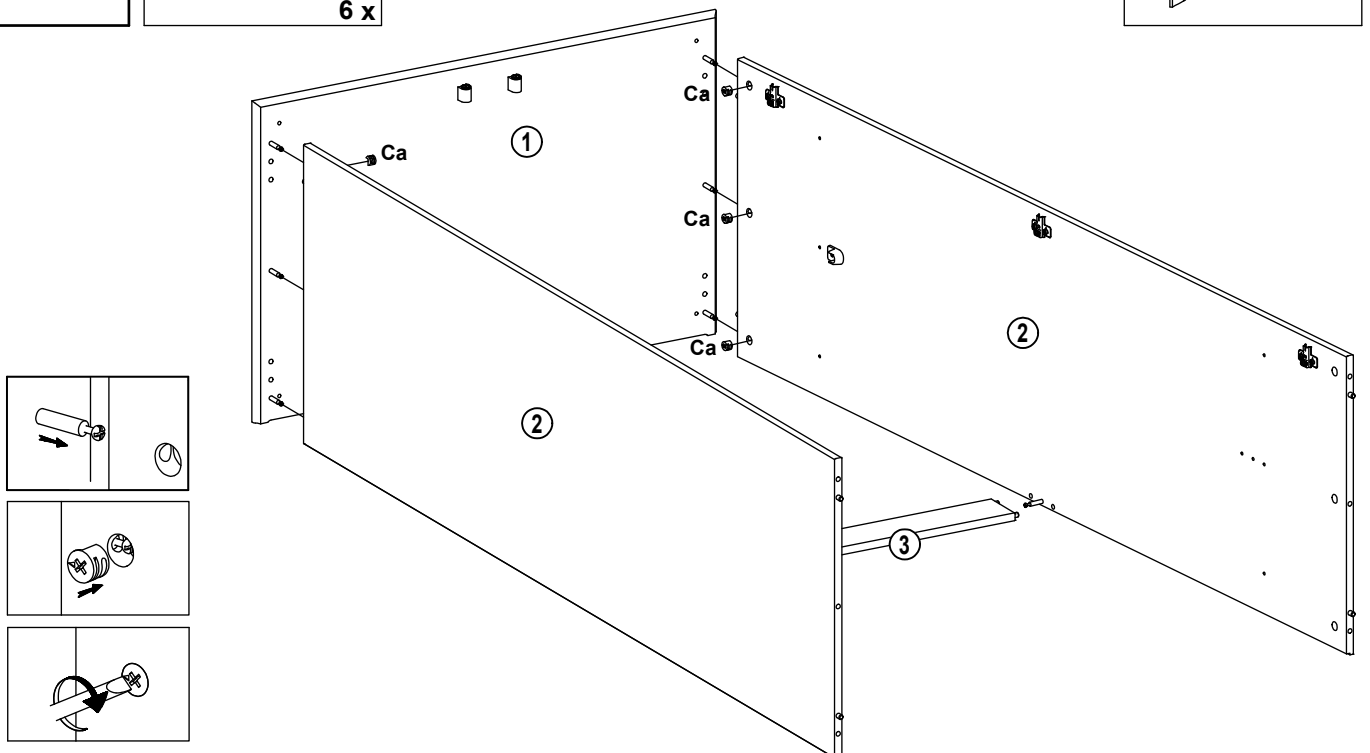
1.3

Aa ø8 x 40mm 8 x	Bc ø3,5 x 15mm 2 x	Cb ø5 x 8, cc34mm 2 x		
Fi  2 x	Mc 0mm  6 x			




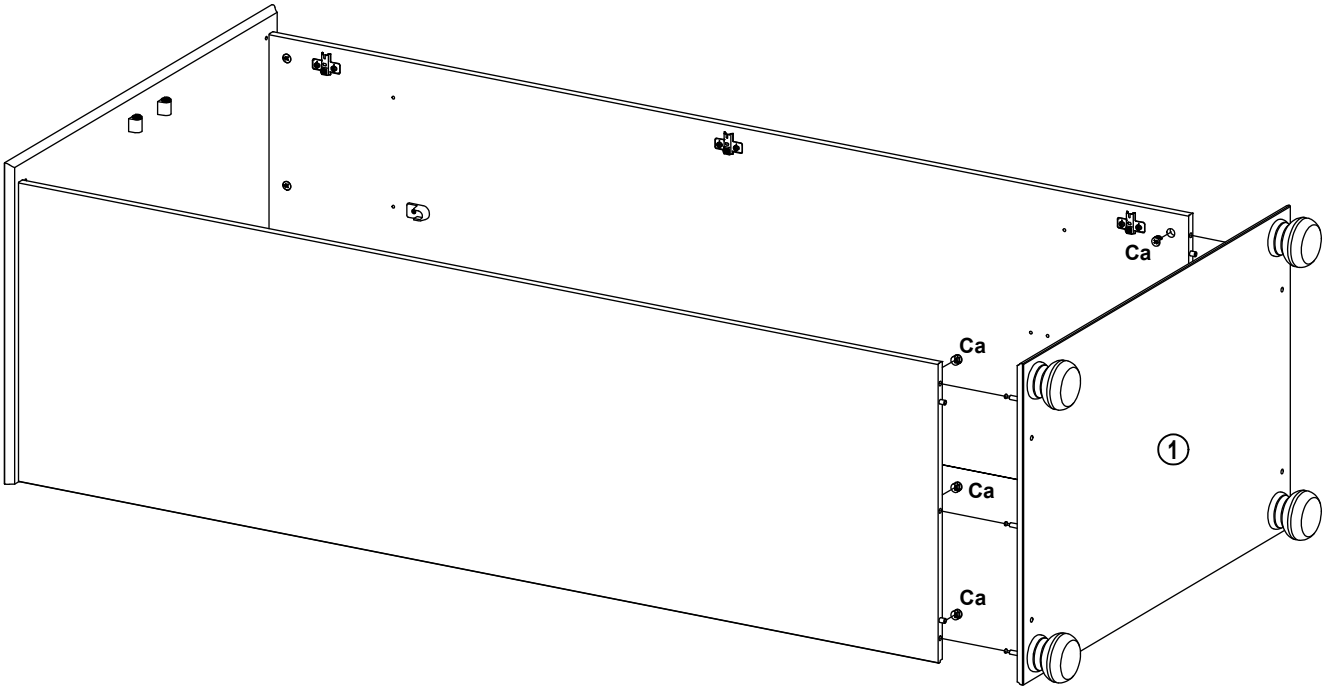
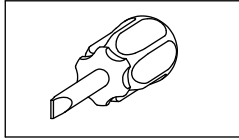
1.4

Ca ø15 x 10,5mm 6 x	
----------------------------------	---




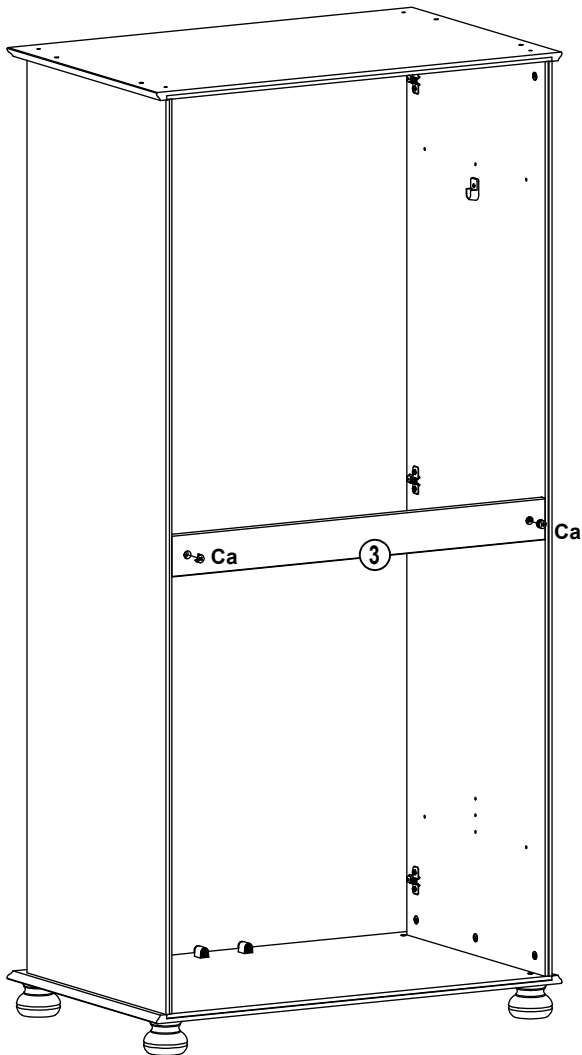
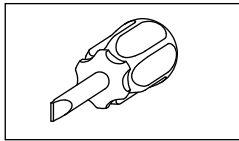
1.5

Ca $\varnothing 15 \times 10,5\text{mm}$

6 x



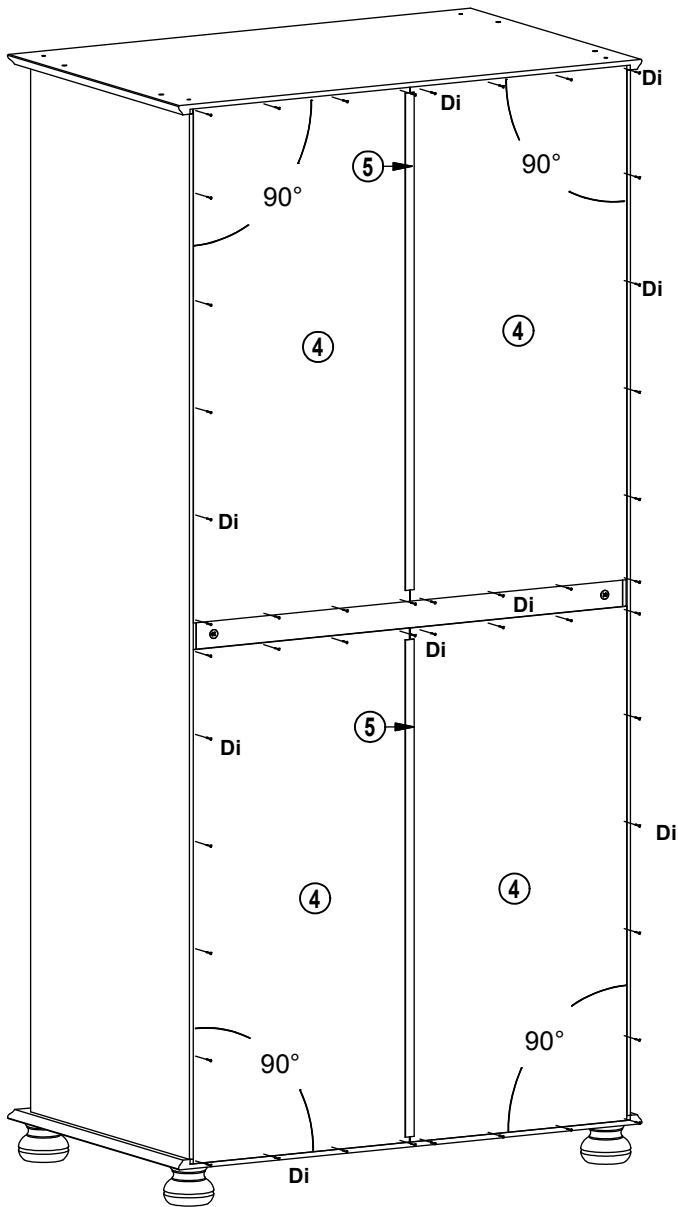
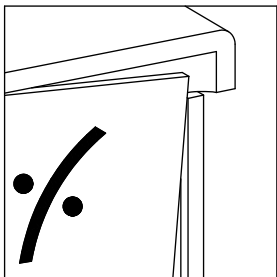
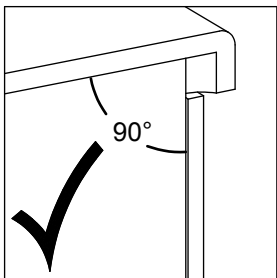
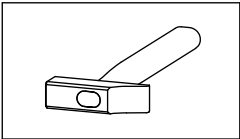
1.6

Ca $\varnothing 15 \times 10,5\text{mm}$

2 x

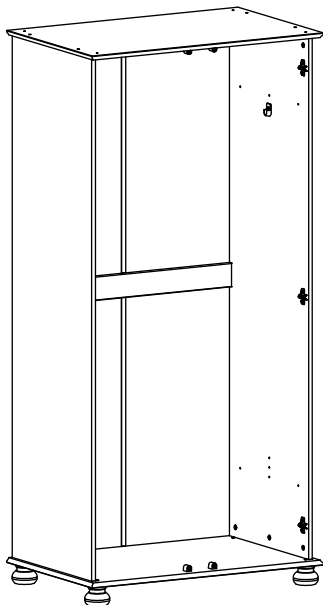


1.9

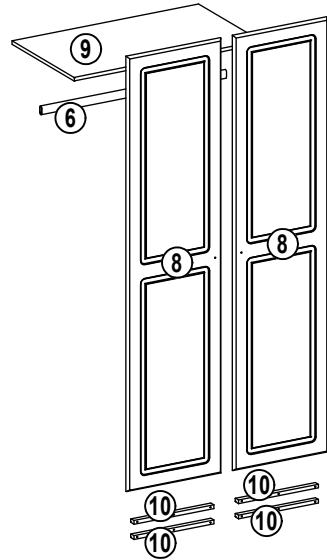
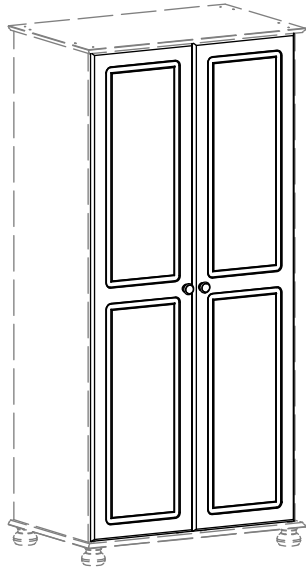
Di 1,2 x 15mm
48 x



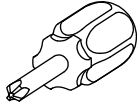
1.10

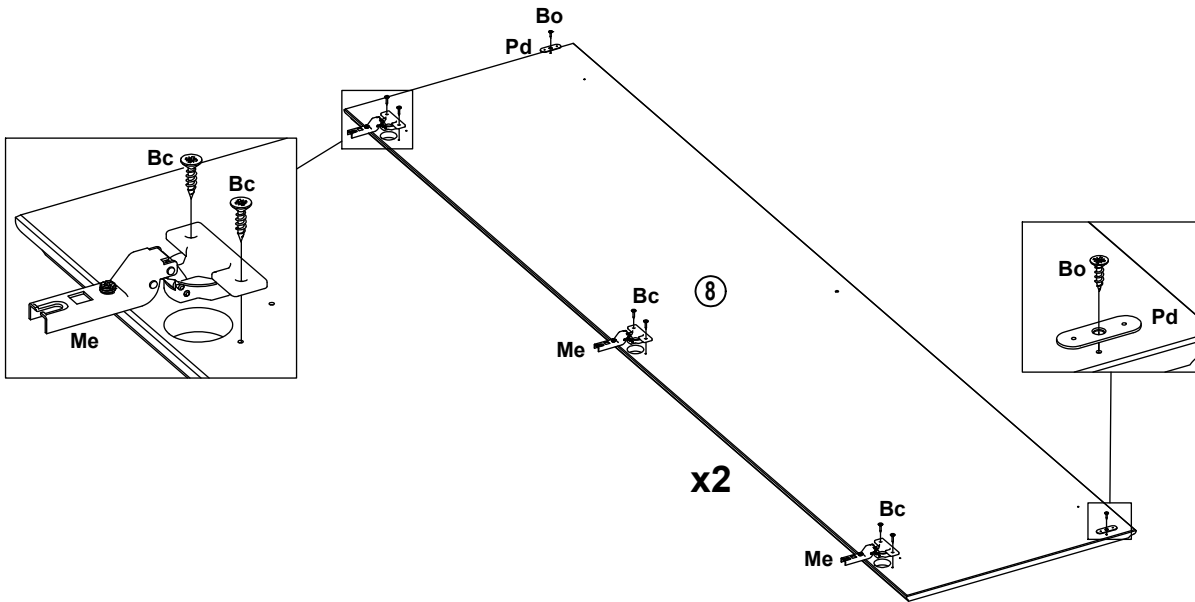


2

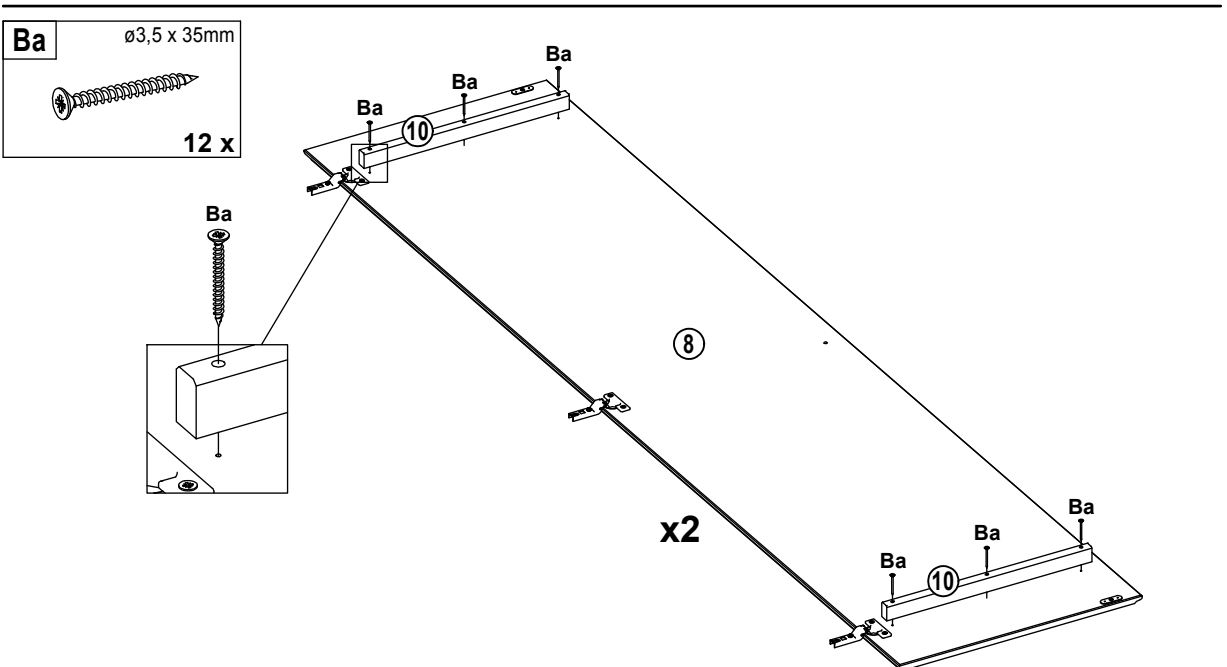


2.1

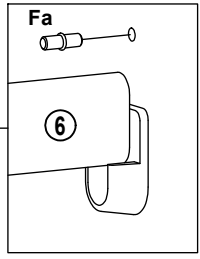
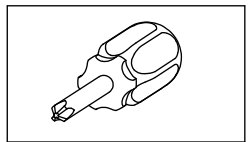
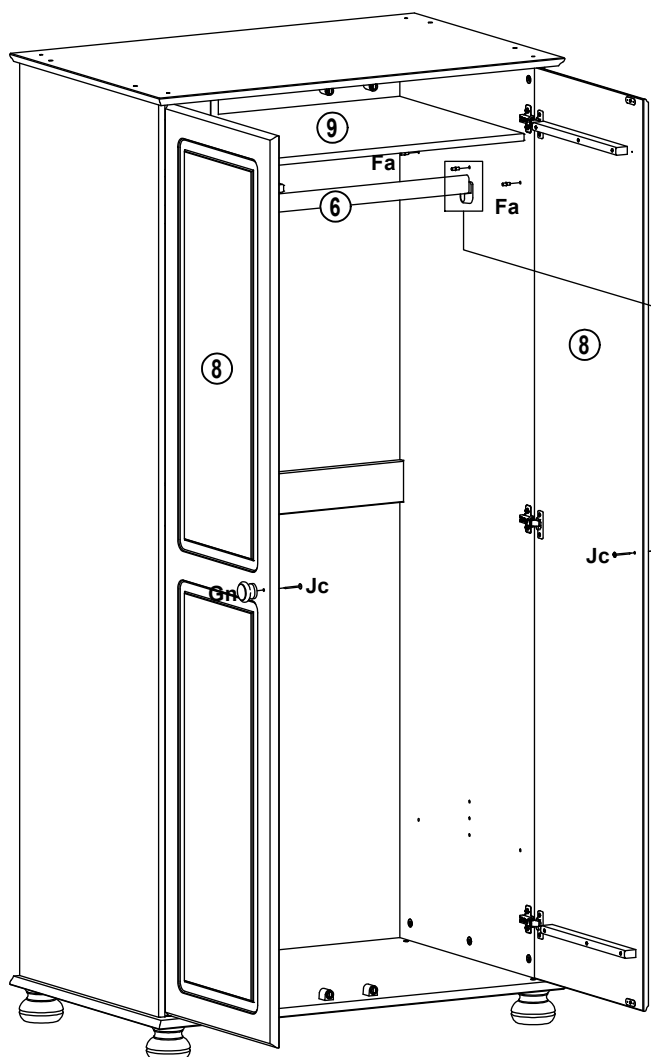
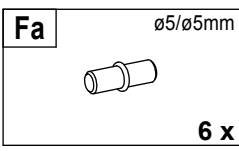
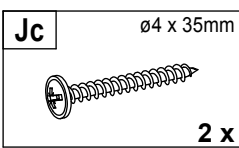
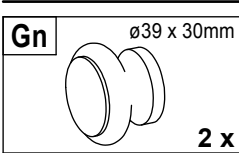
Bc	ø3,5 x 15mm	Bo	ø3 x 12mm	Me	ø26mm	Pd	35 x 12mm	
	12 x		4 x		6 x		4 x	



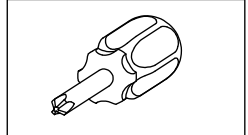
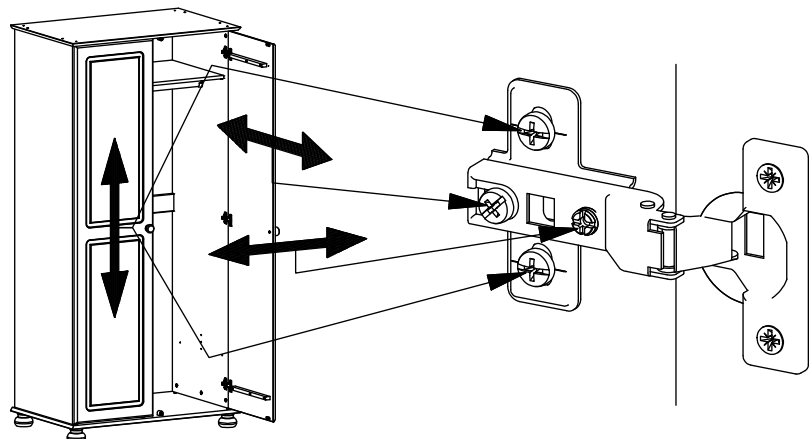
2.2



2.3



2.4



2.5

