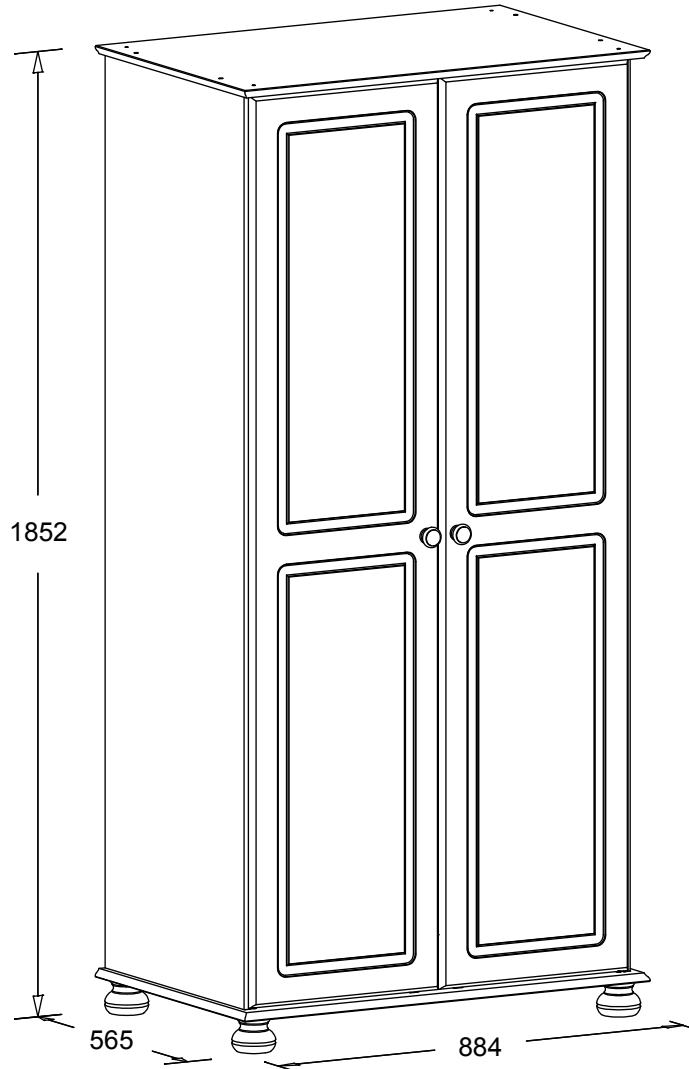
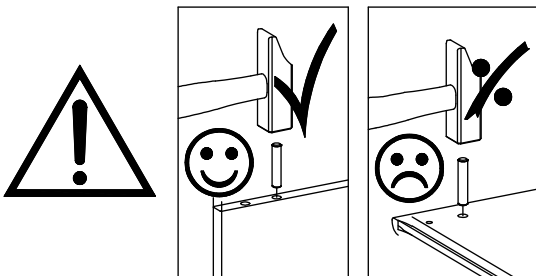


2 Door Wardrobe

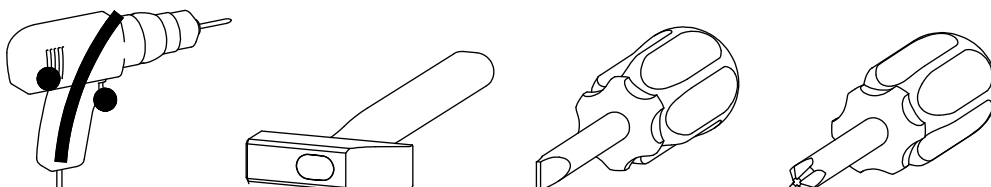
1012101
1012102

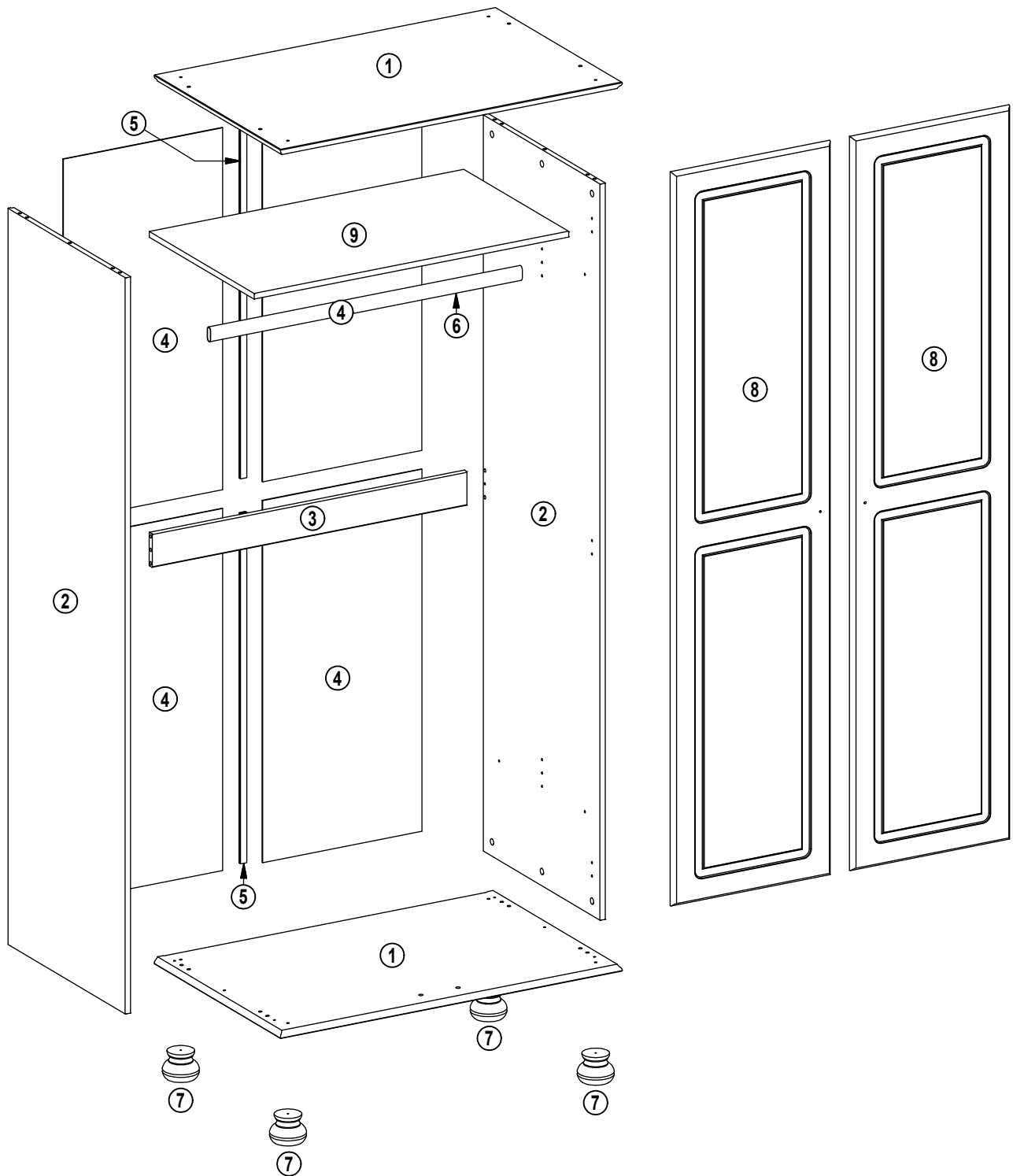







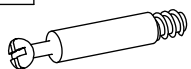

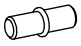
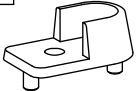

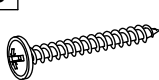



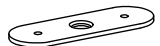
Important!



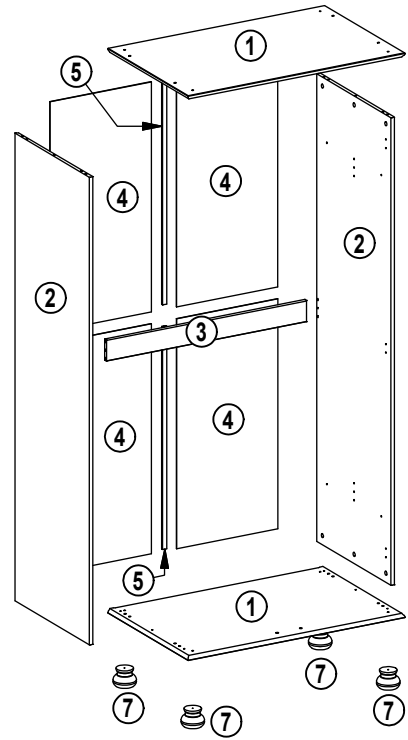
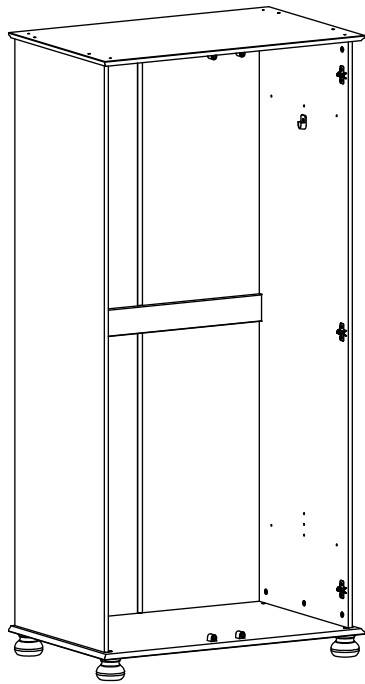
Please, read the assembly instruction carefully, before assembling.



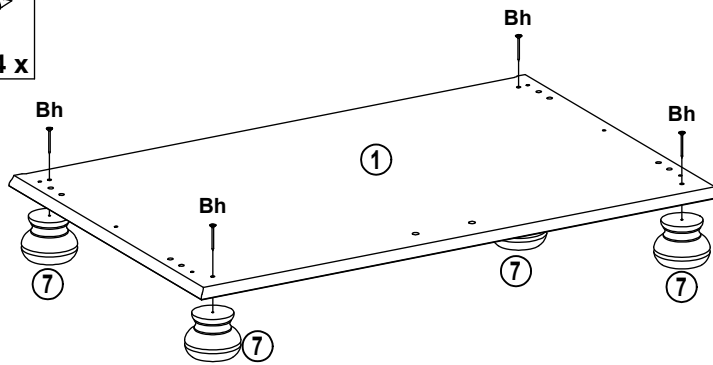
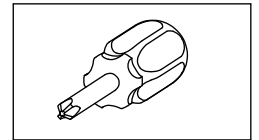
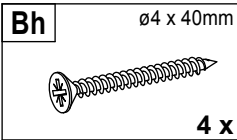


0 10 20 30 40 50 60	Aa $\varnothing 7,8 \times 40\text{mm}$  12 x	Bc $\varnothing 3,5 \times 15\text{mm}$  14 x	Bh $\varnothing 4 \times 40\text{mm}$  4 x	Bo $\varnothing 3 \times 12\text{mm}$  4 x	Ca $\varnothing 15 \times 10,5\text{mm}$  14 x
	Cb $\varnothing 5 \times 8, \text{cc}34\text{mm}$  14 x	Di $1,2 \times 15\text{mm}$  50 x	Fa $\varnothing 5/\varnothing 5\text{mm}$  6 x	Fl  2 x	Gn $\varnothing 39 \times 30\text{mm}$  2 x
	Jc $\varnothing 4 \times 35\text{mm}$  2 x	Mc 0mm  6 x	Me $\varnothing 26\text{mm}$  6 x	Pc  4 x	Pd $35 \times 12\text{mm}$  4 x

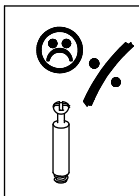
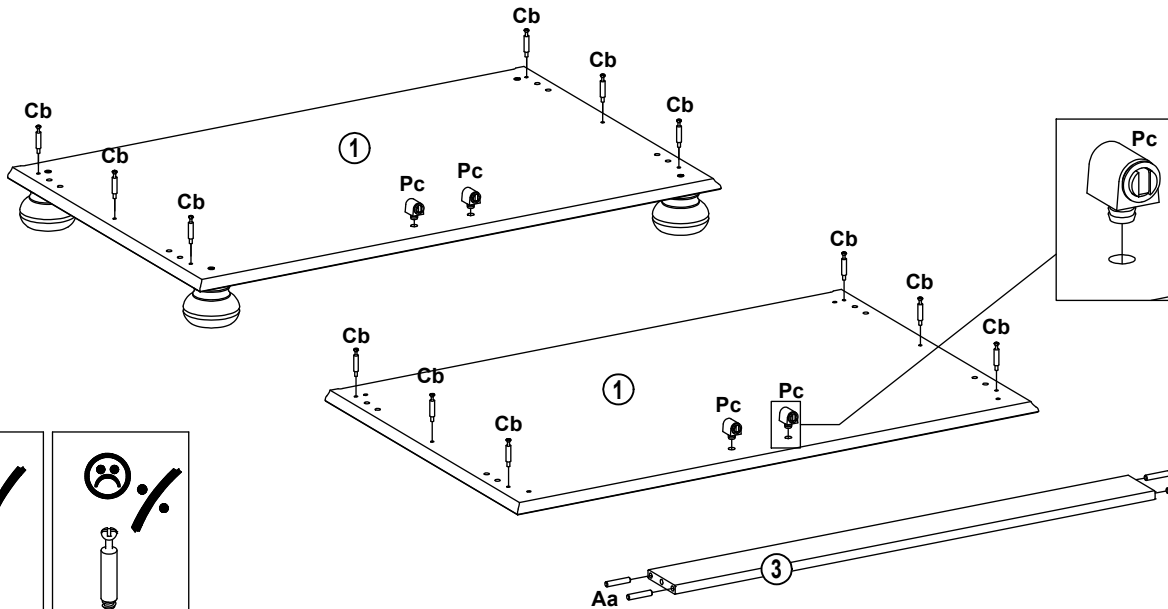
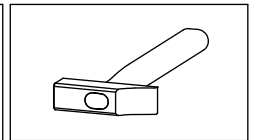
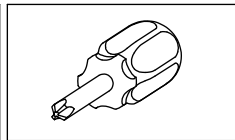
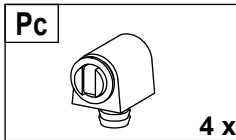
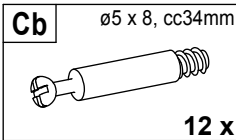
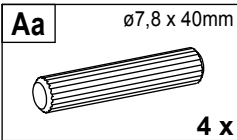
1



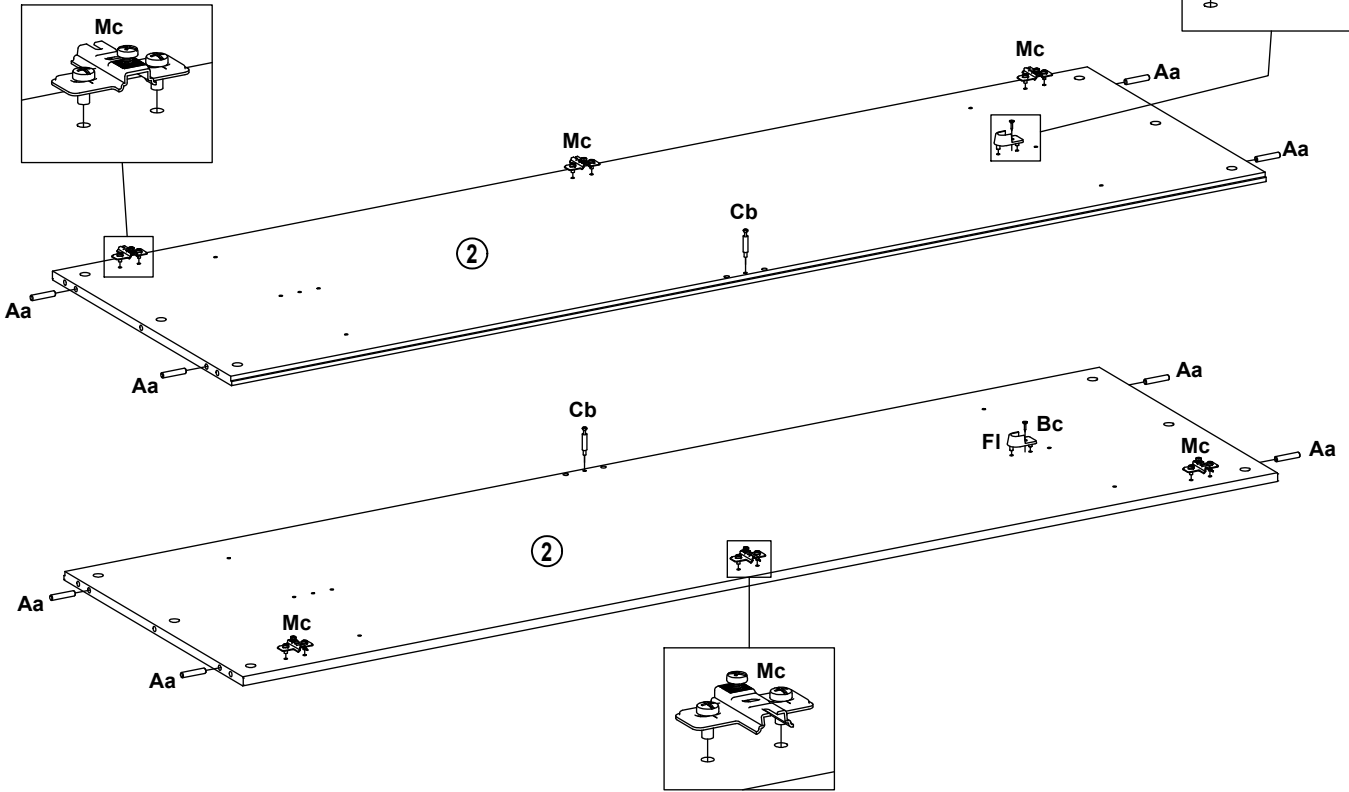
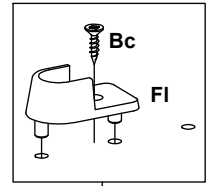
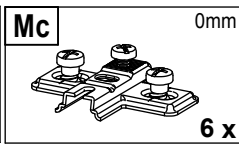
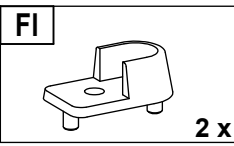
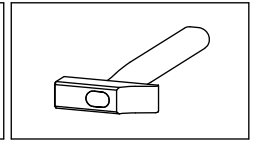
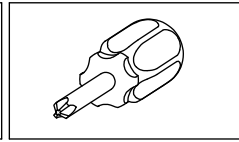
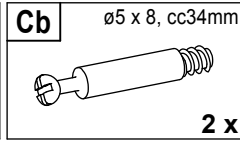
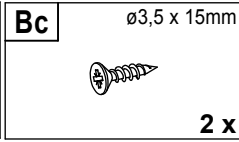
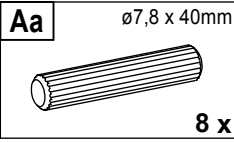
1.1



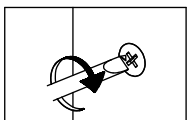
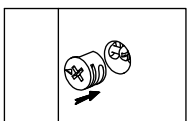
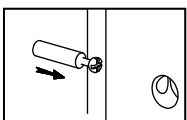
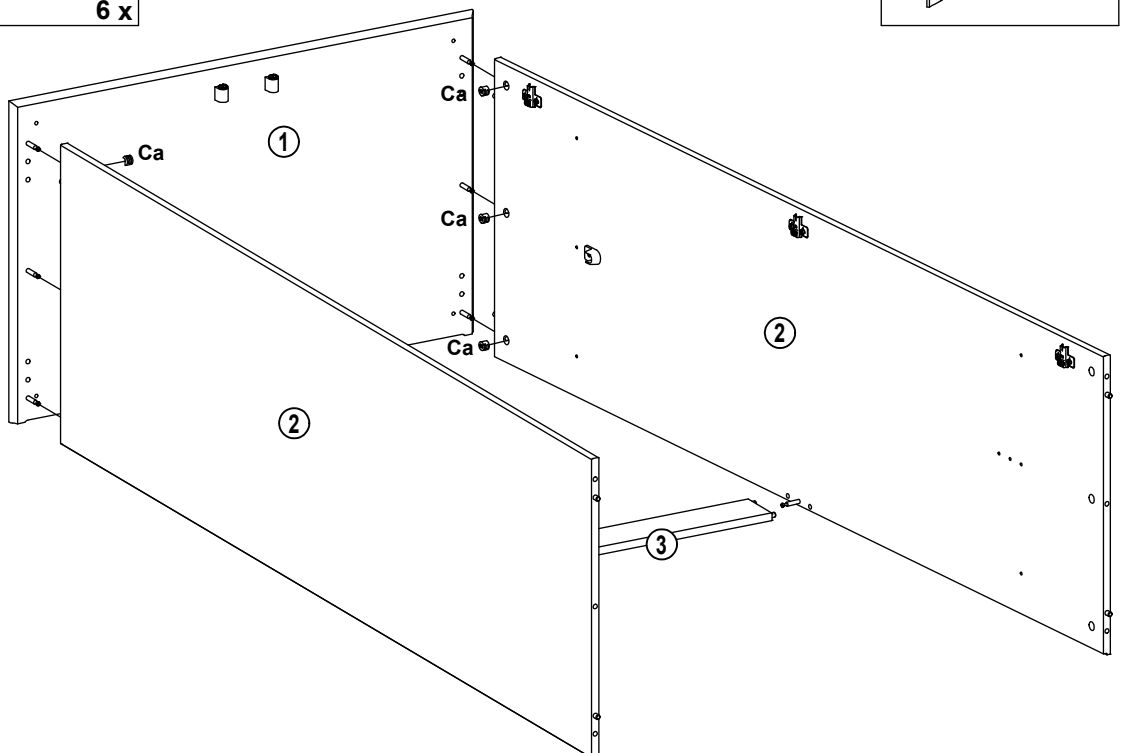
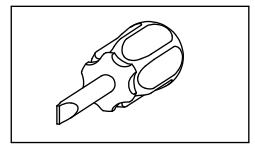
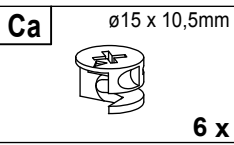
1.2




1.3

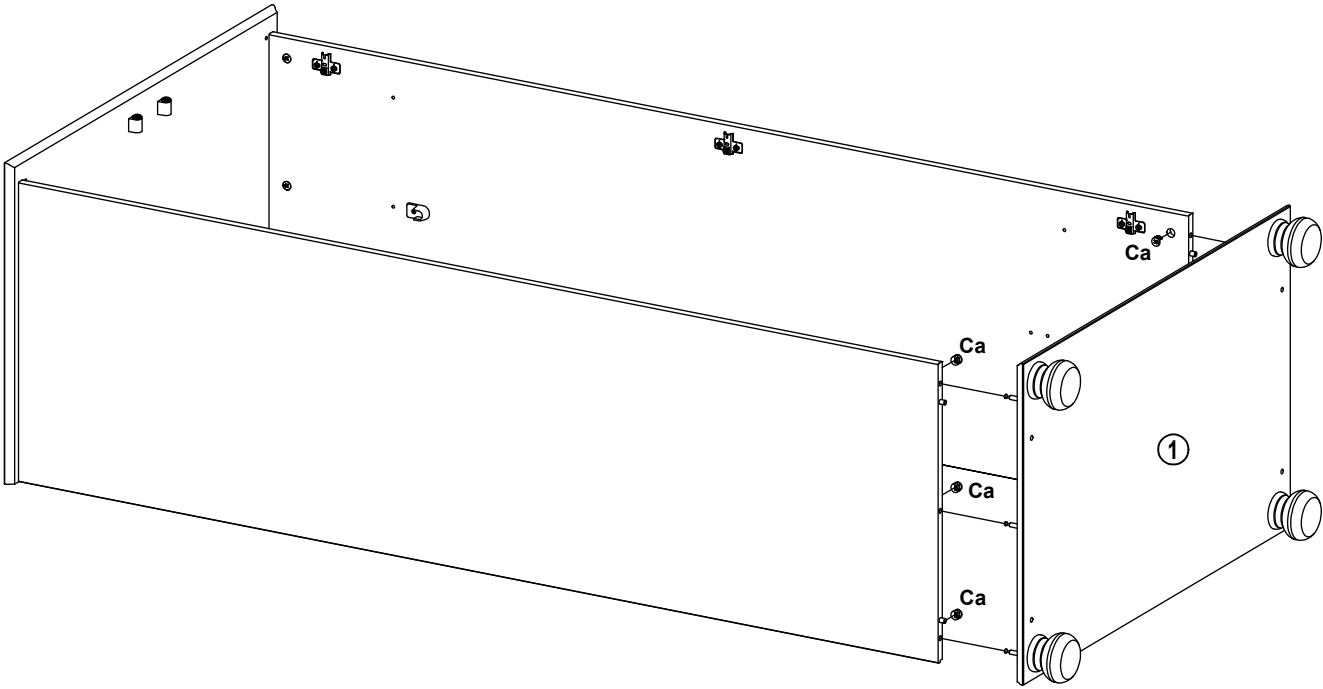
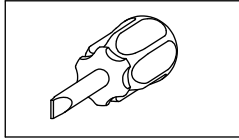


1.4




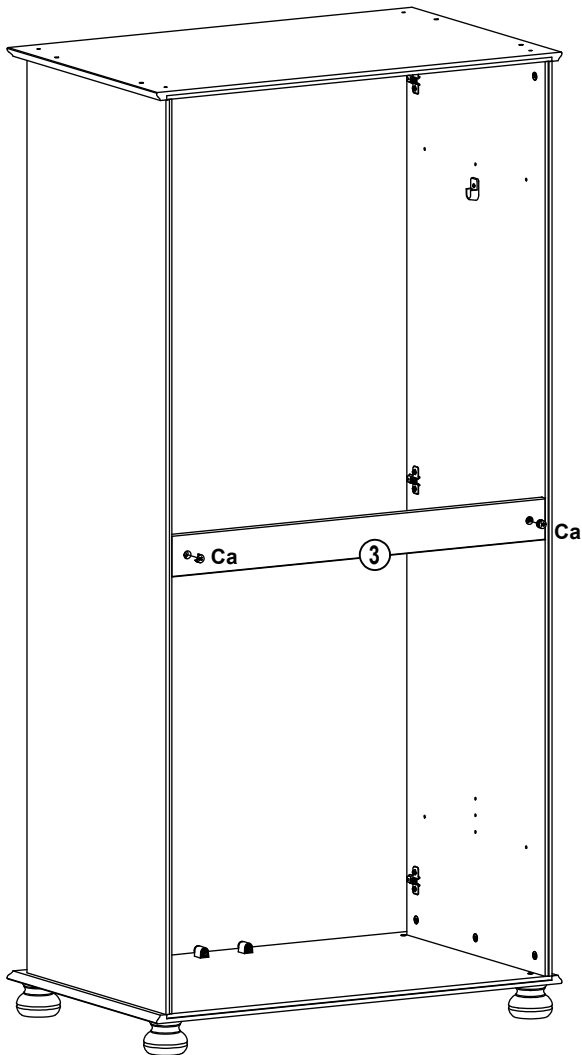
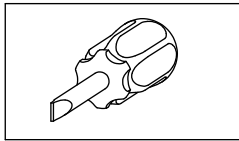
1.5

Ca $\varnothing 15 \times 10,5\text{mm}$

6 x



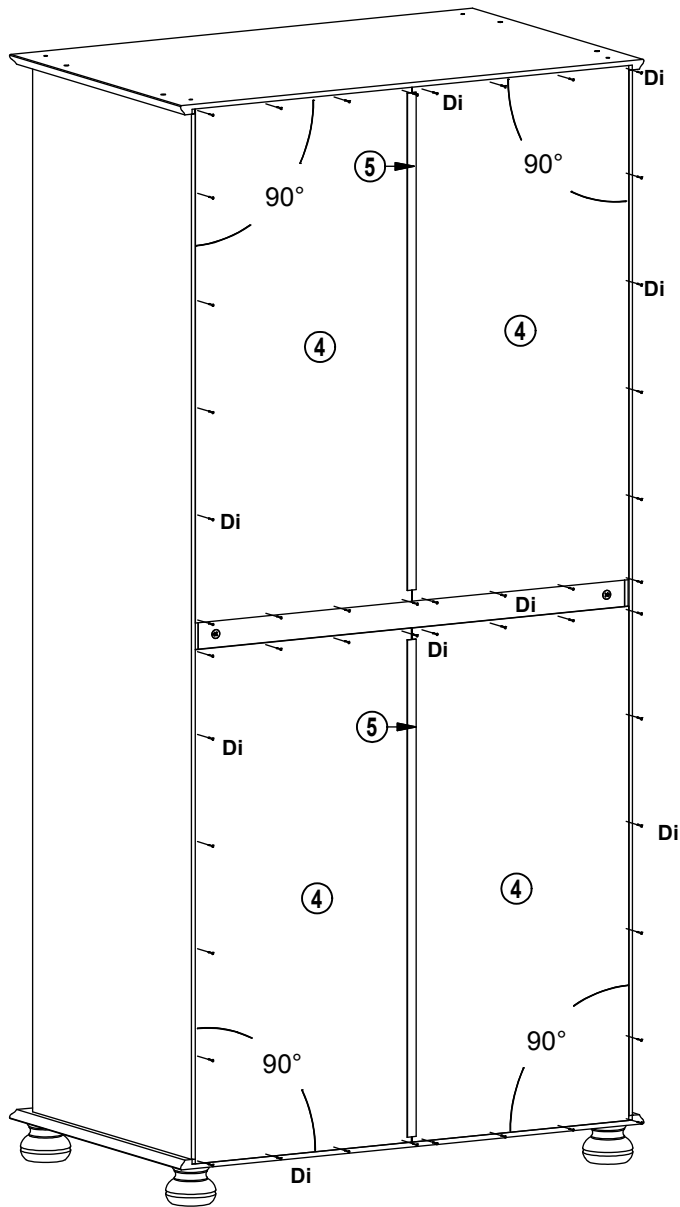
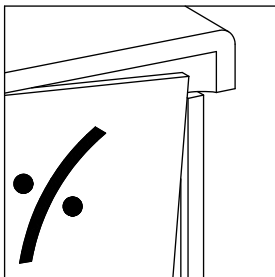
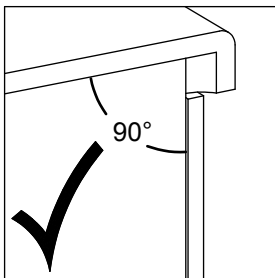
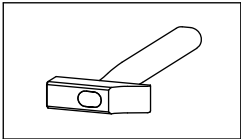
1.6

Ca $\varnothing 15 \times 10,5\text{mm}$

2 x

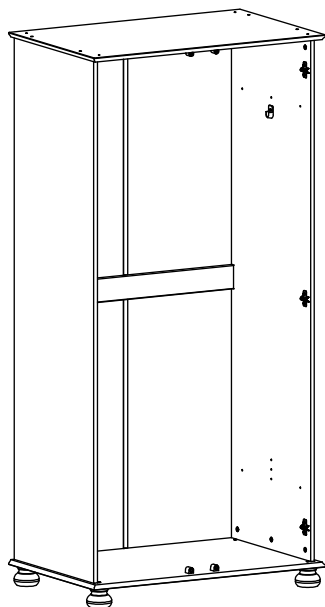


1.9

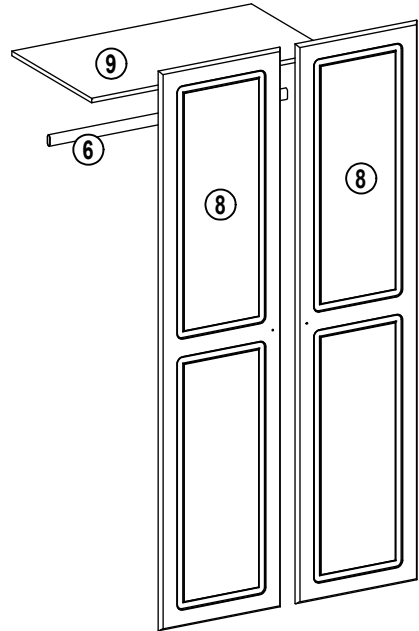
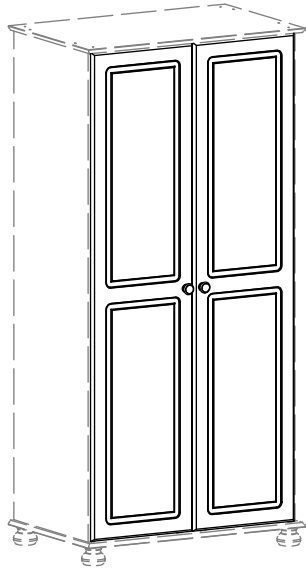
Di 1,2 x 15mm
48 x







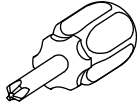
1.10

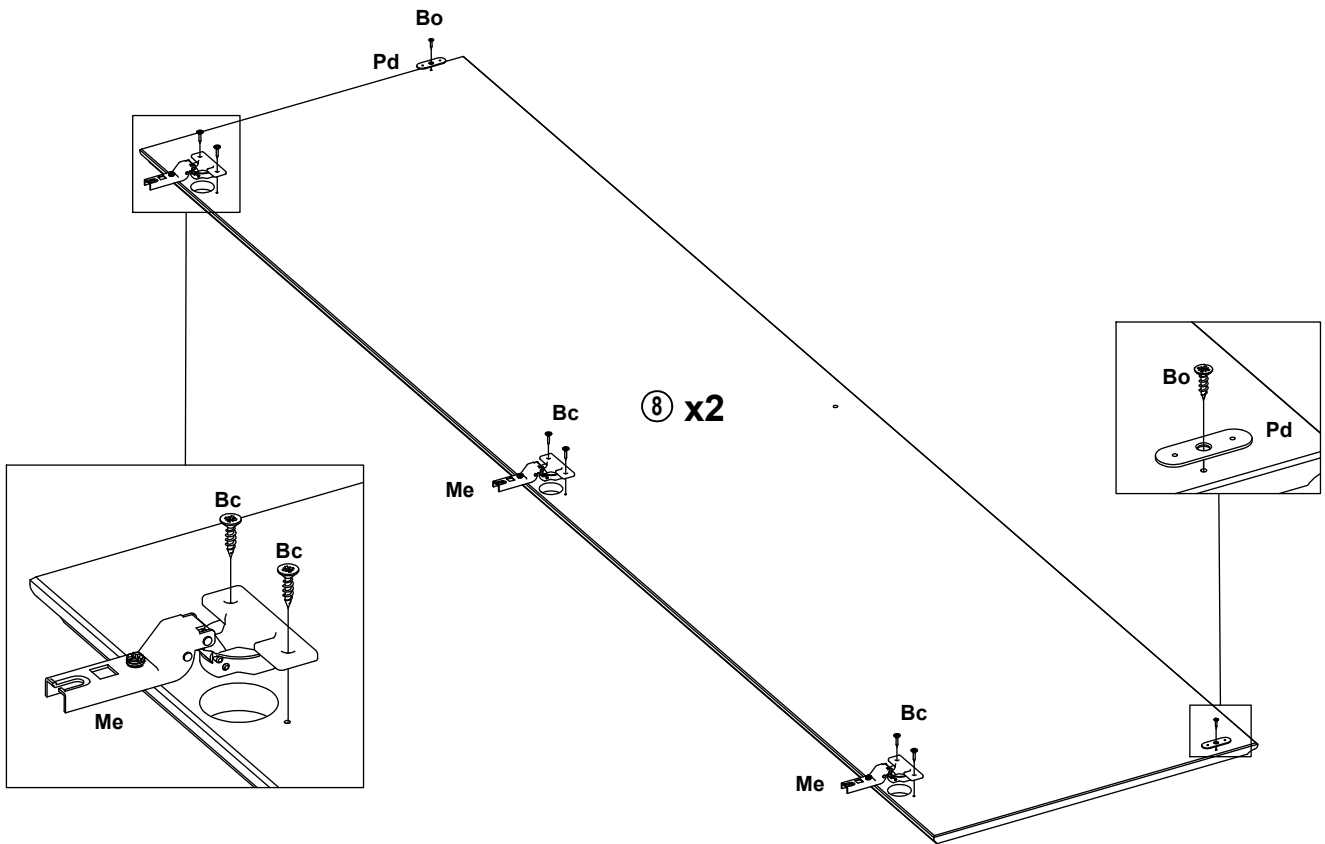


2

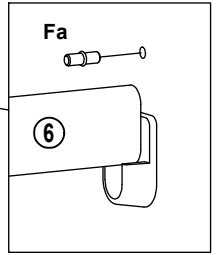
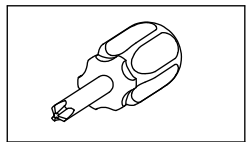
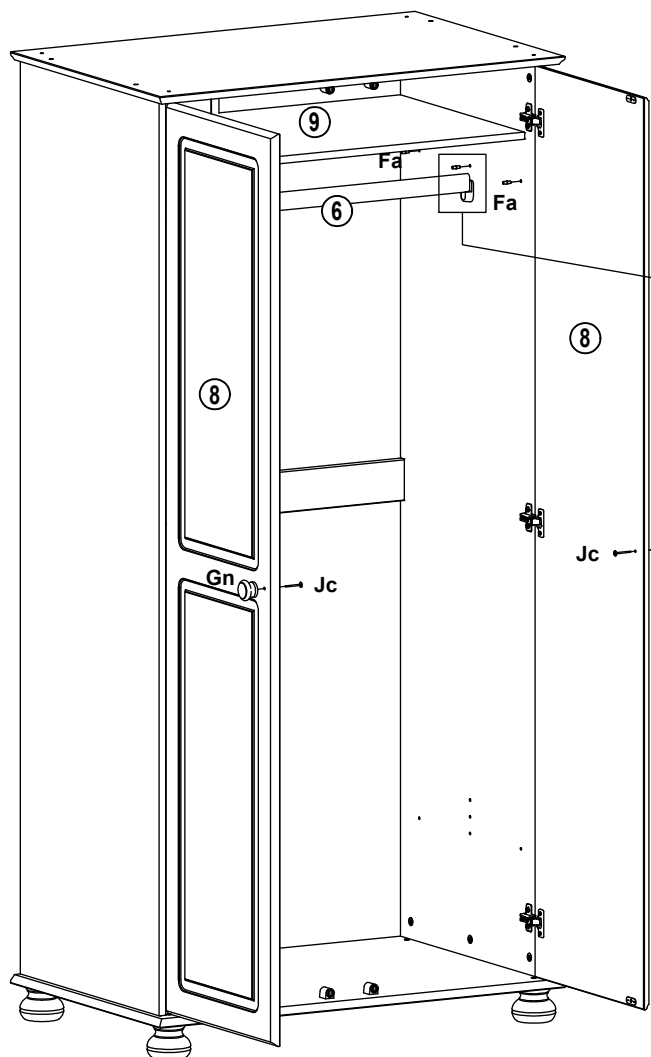
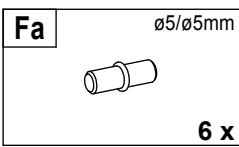
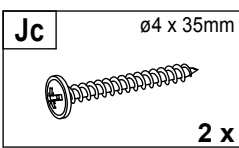
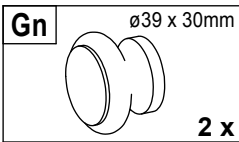


2.1

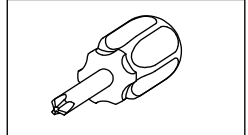
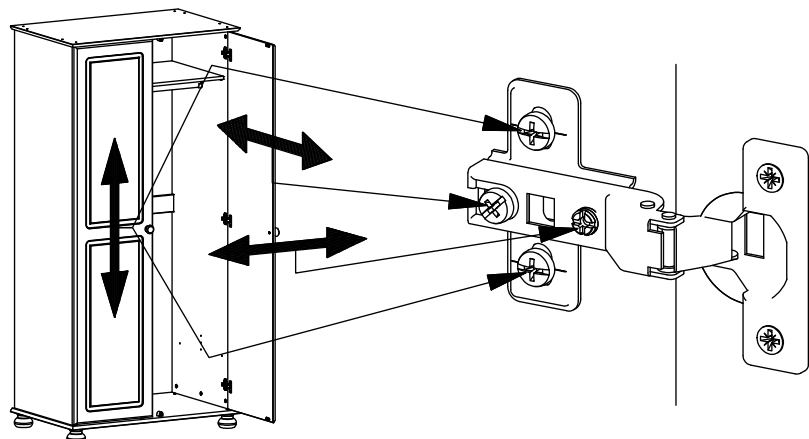
Bc ø3,5 x 15mm  12 x	Bo ø3 x 12mm  4 x	Me ø26mm  6 x	Pd 35 x 12mm  4 x	
---	--	--	--	---



2.2



2.3



2.4

