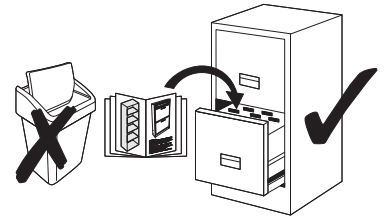
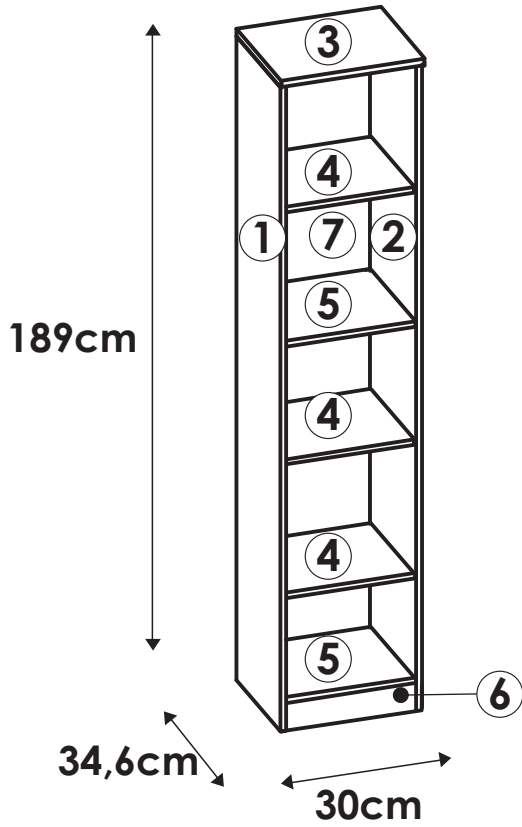


4YOU

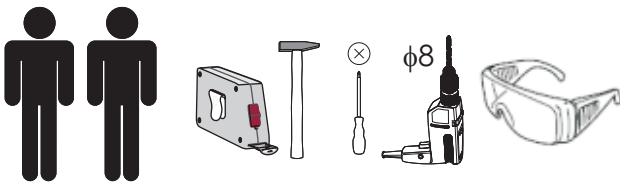


- 45 min.

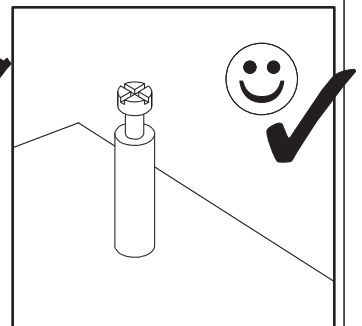
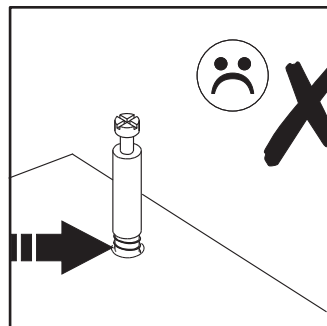
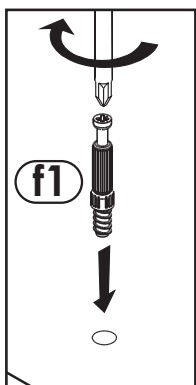
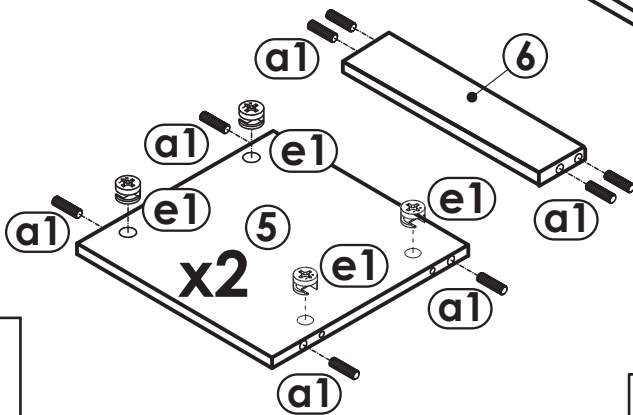
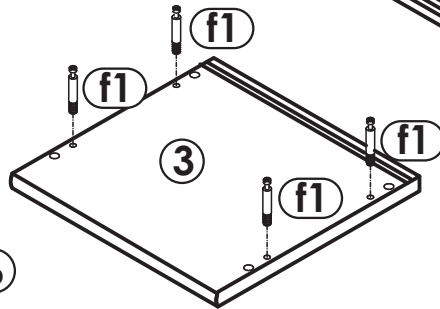
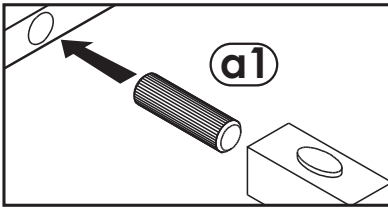
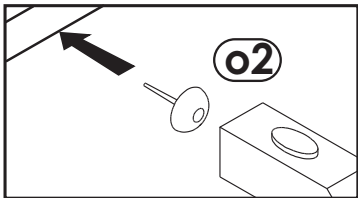
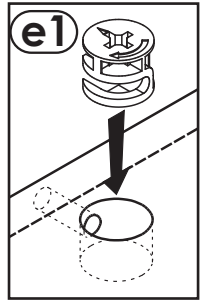
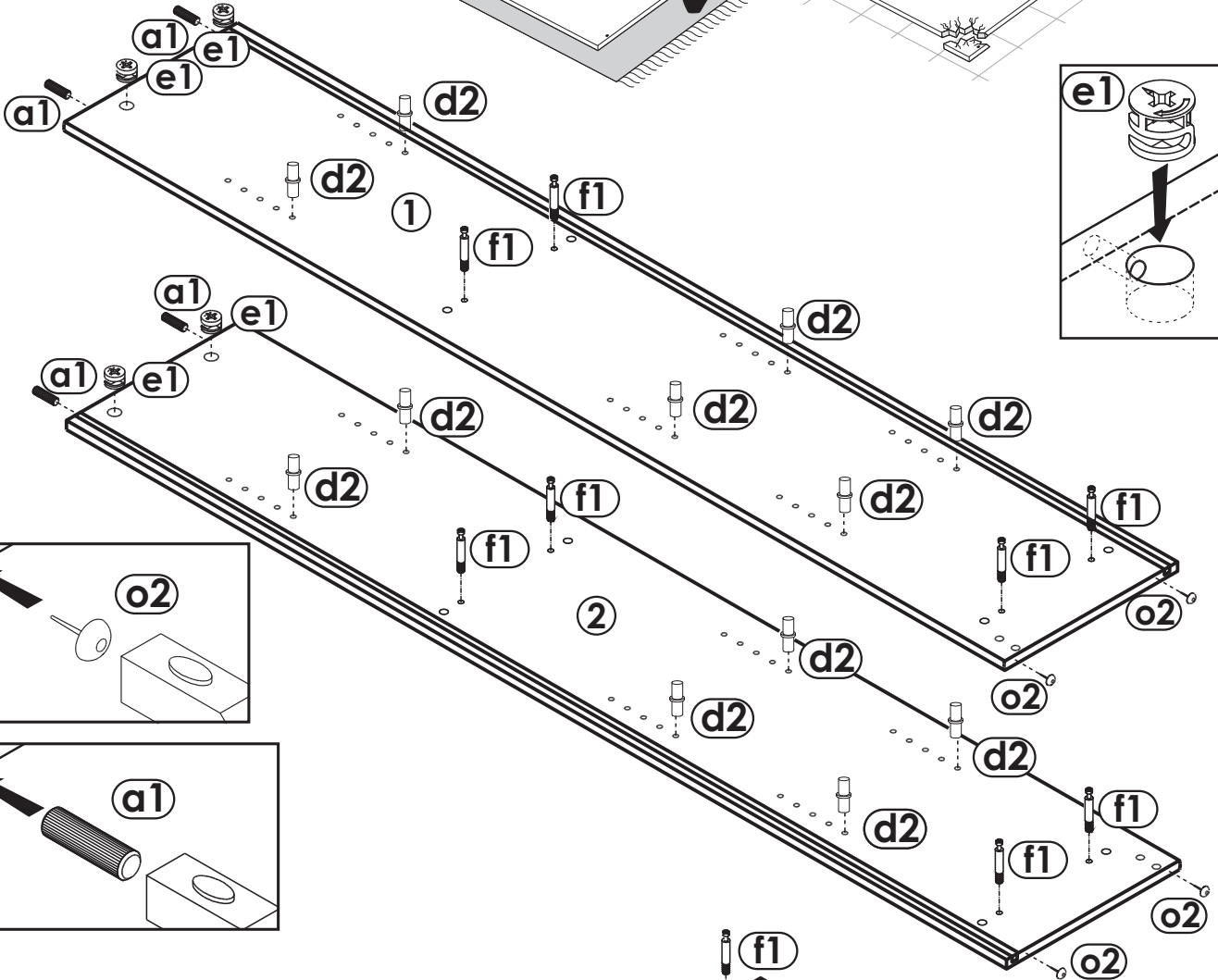
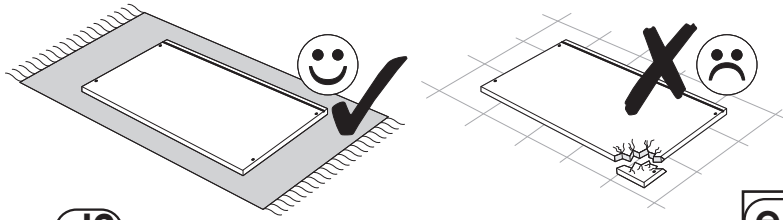
C5



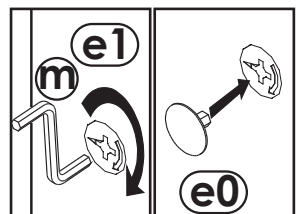
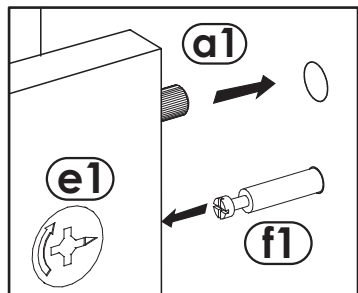
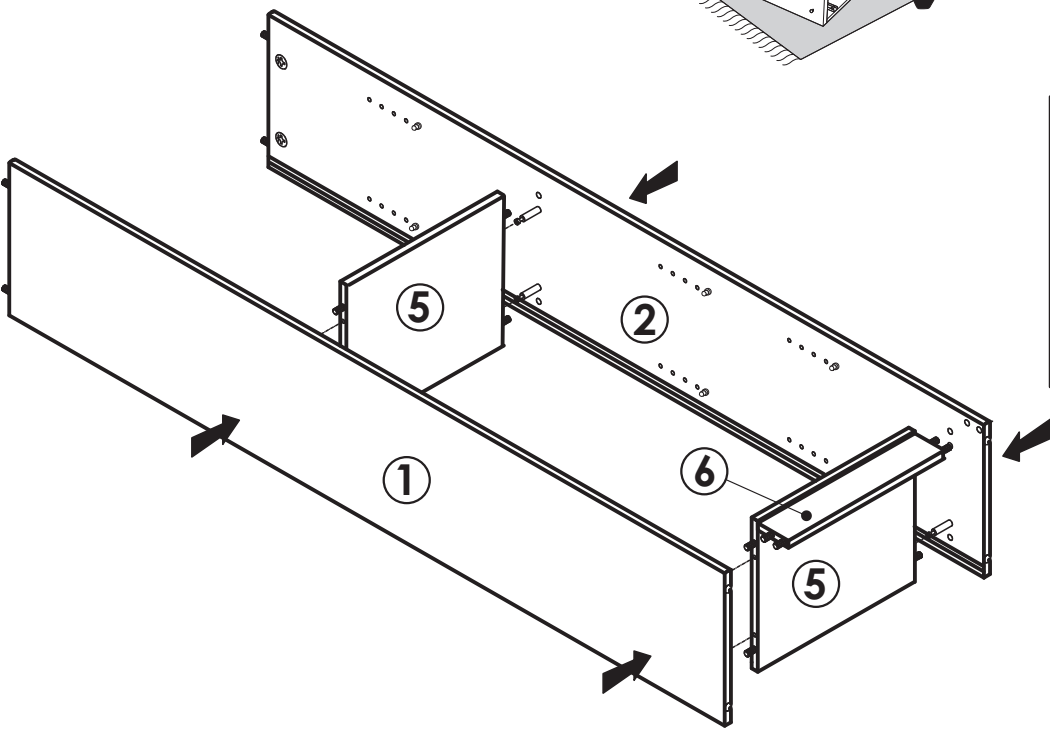
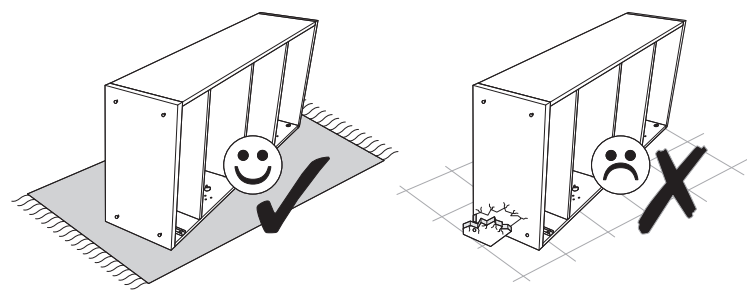
| | | | | | | | | |
|-------------------------------------|-----------------------------|-----------------------------|-----------------------------|-----------------------------|------------------------------------|---------------------------|------------------------------------|----------------------------|
| a1 8x35 x....(x16) | d2 x....(x12) | e0 x....(x12) | e1 x....(x12) | f1 x....(x12) | i2 4x16 x....(x1) | m x....(x1) | n1 3x16 x....(x5) | o2 x....(x4) |
| q x....(x1) | r4 x....(x11) | | | | | | | |



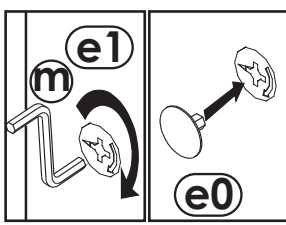
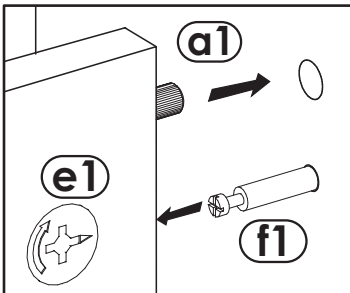
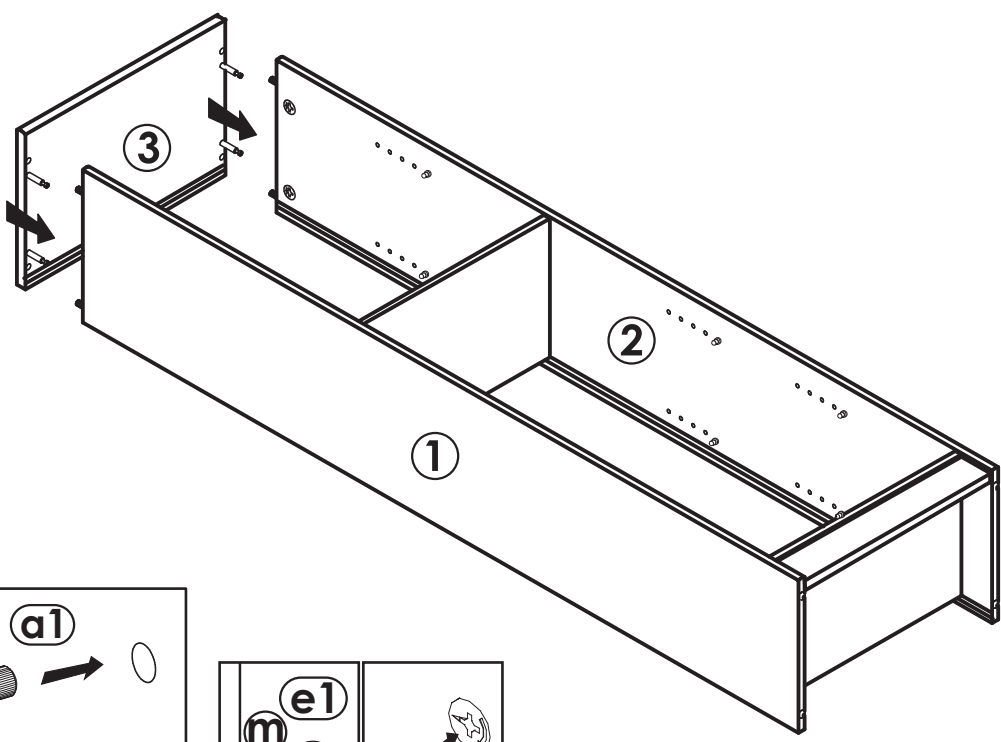
1



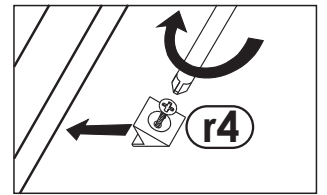
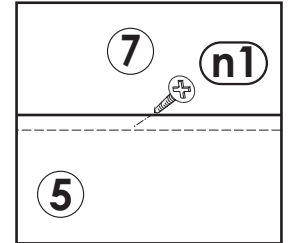
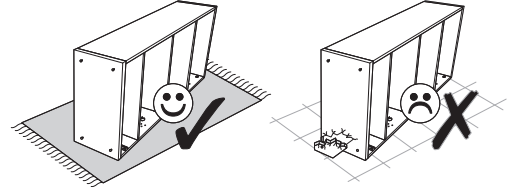
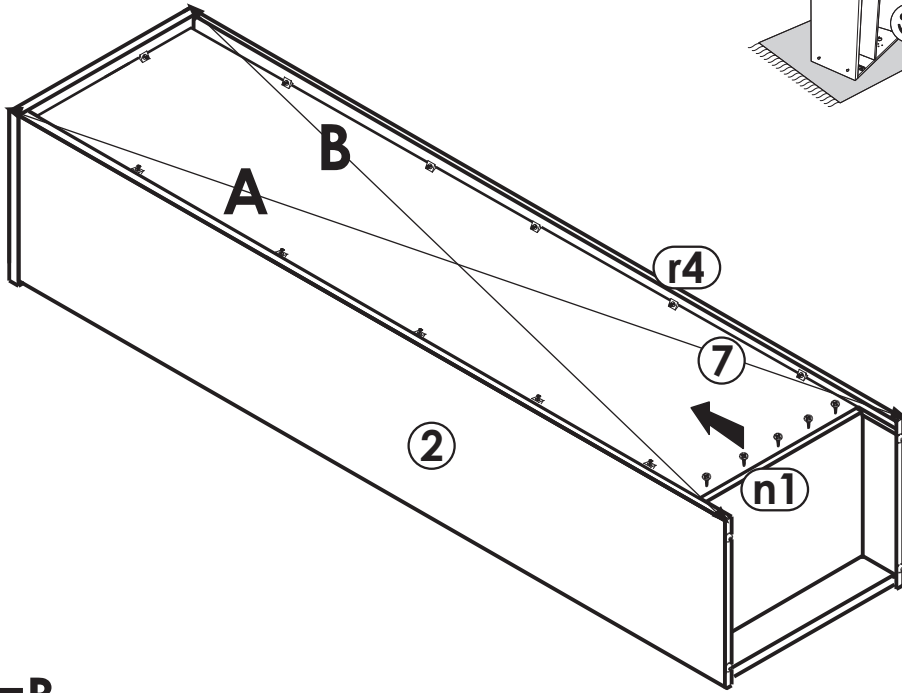
2



3



4
▼



A=B

5
▼

