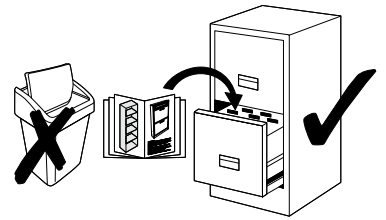
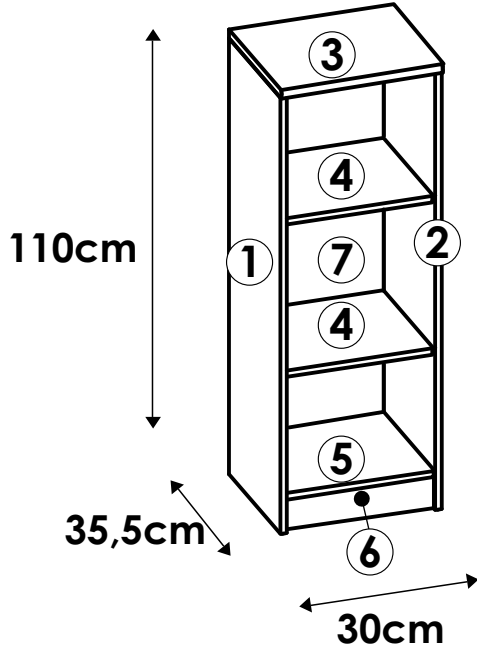


4YOU

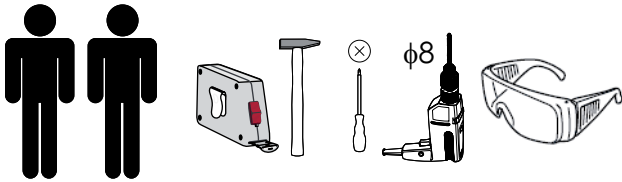


- 45 min.

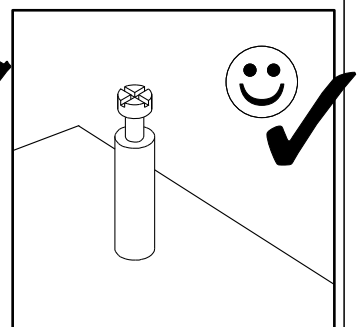
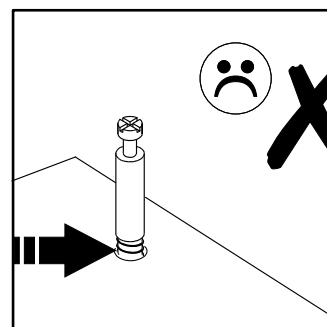
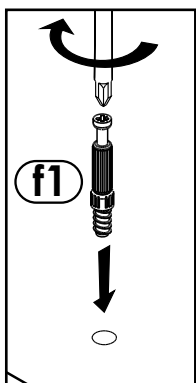
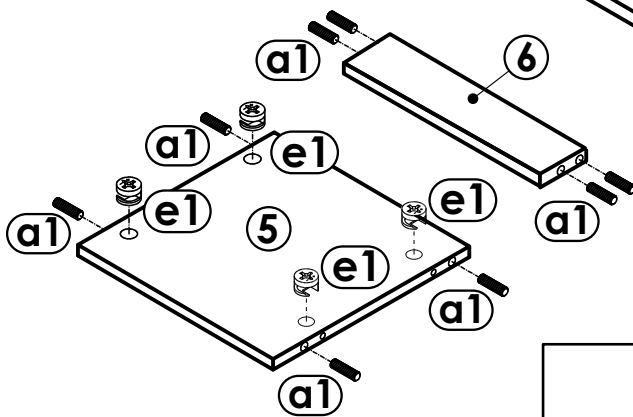
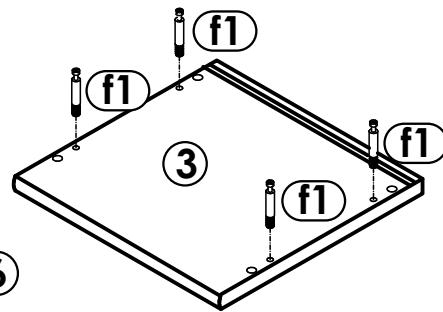
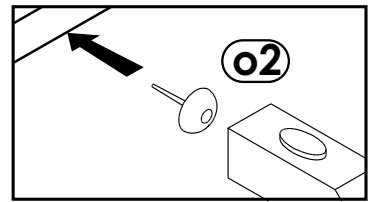
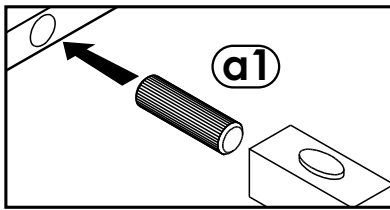
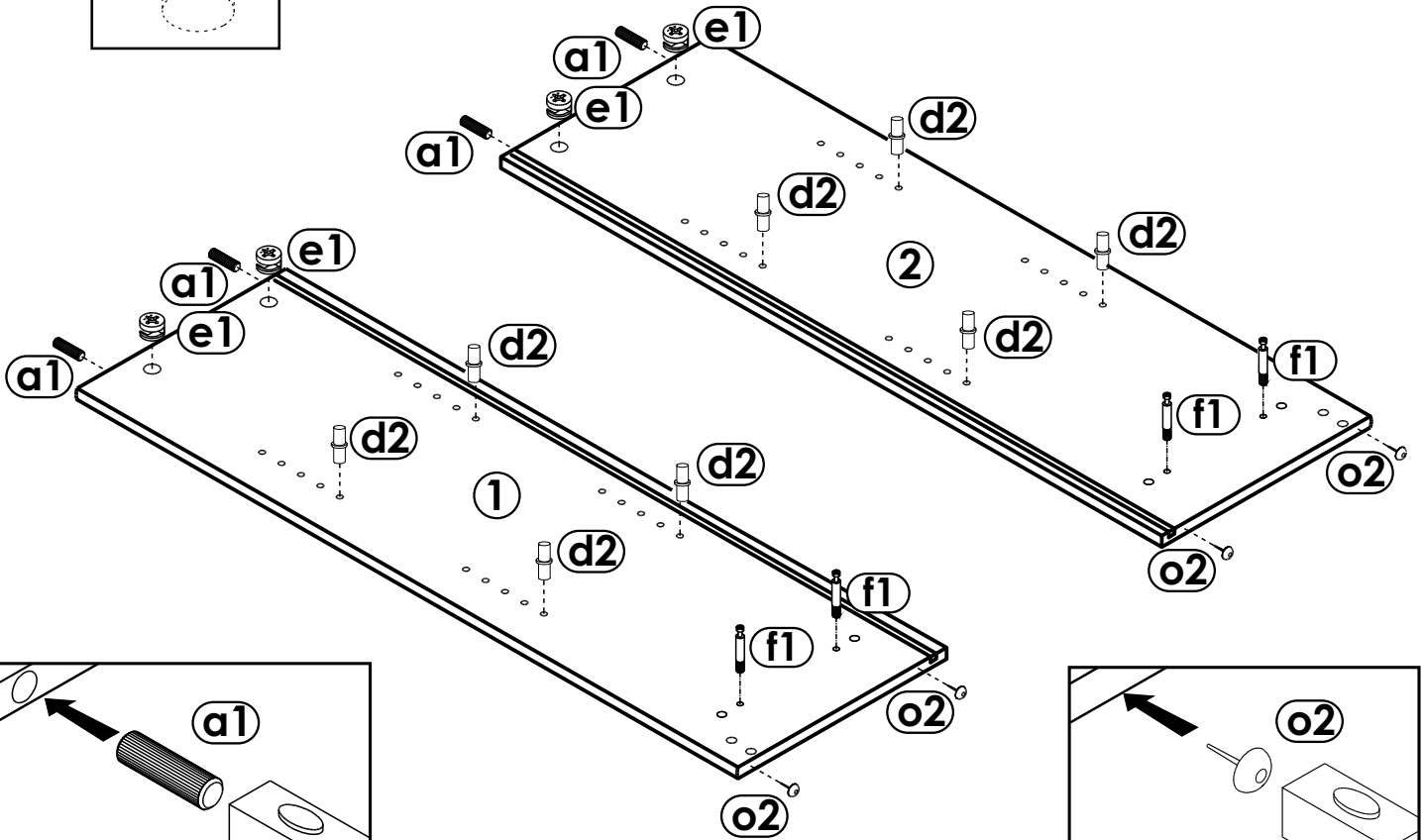
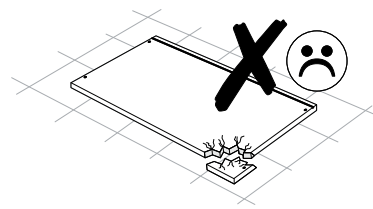
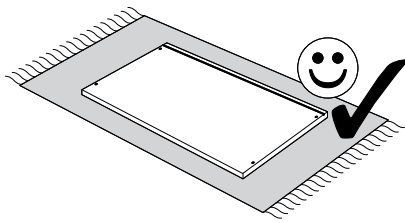
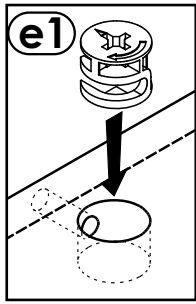
C3



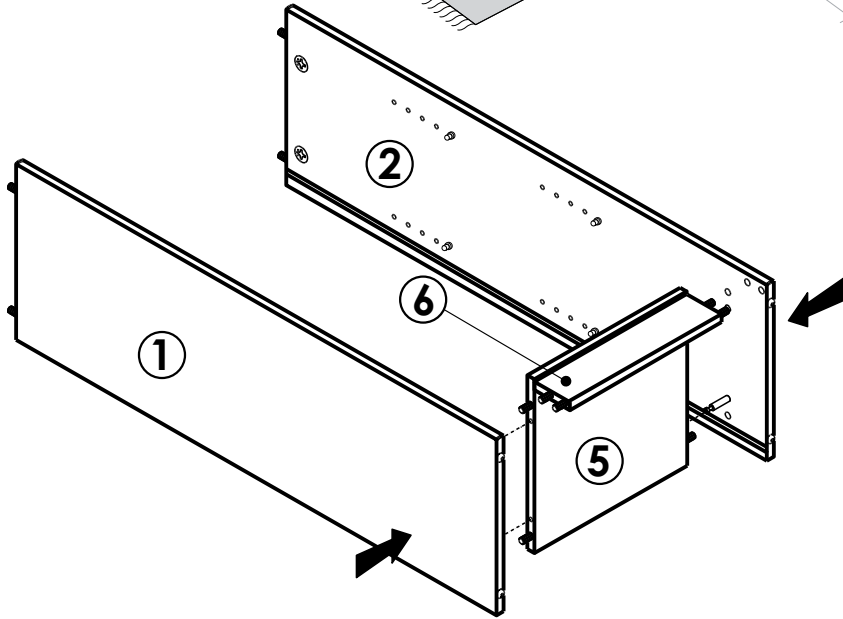
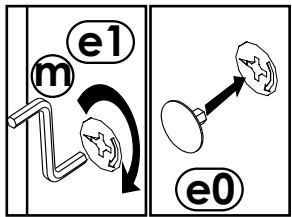
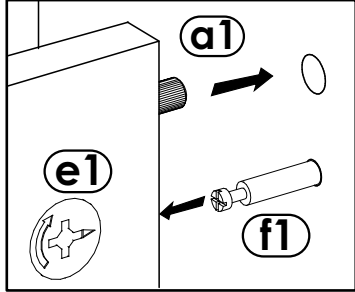
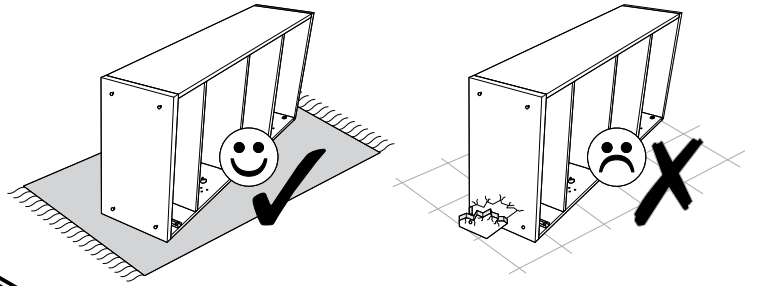
a1 8x35 x....(x12)	d2 x....(x8)	e0 x....(x8)	e1 x....(x8)	f1 4x16 x....(x8)	i2 3x16 x....(x5)	m x....(x1)	n1 3x16 x....(x5)	o2 x....(x4)
q x....(x1)	r4 x....(x7)							



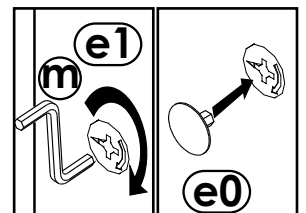
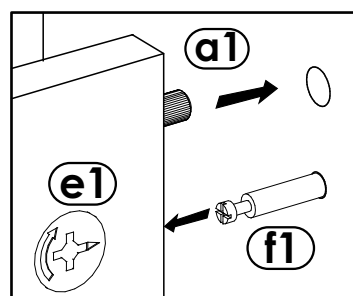
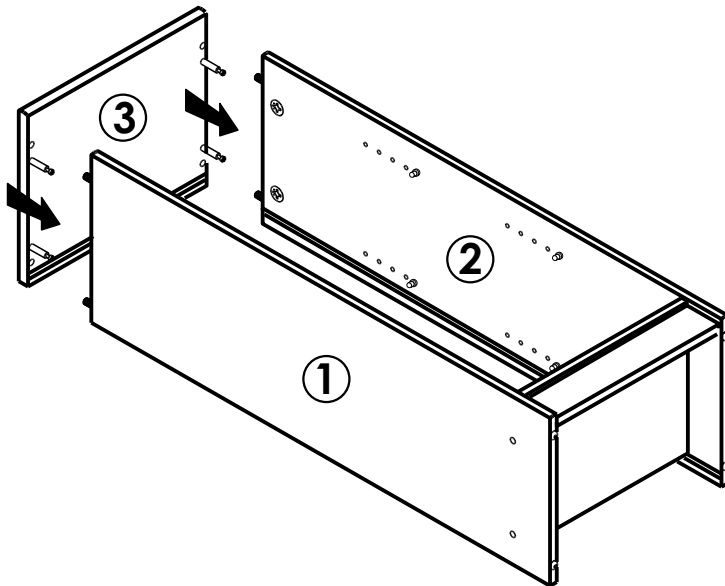
1



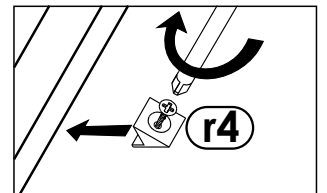
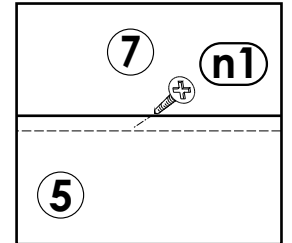
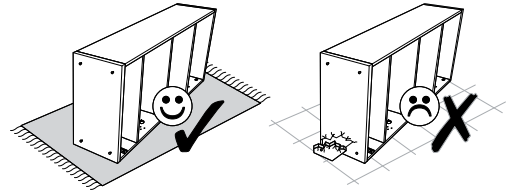
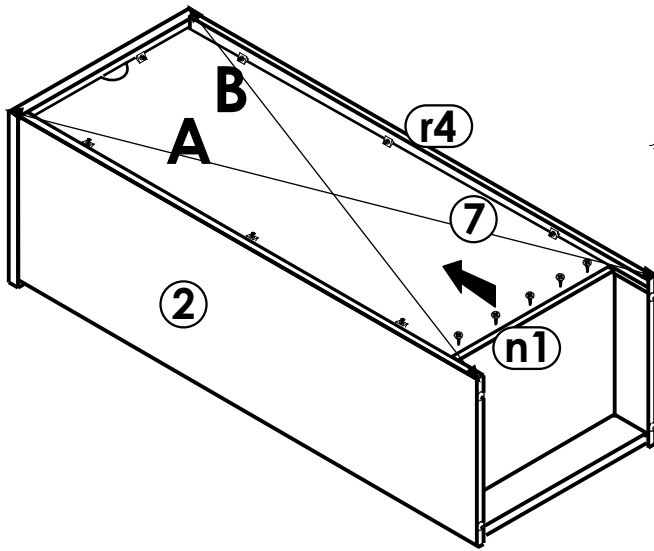
2



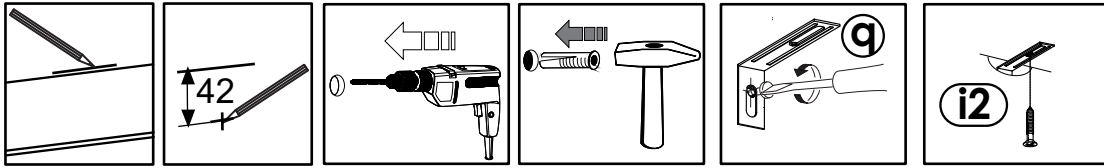
3



4
▼



A=B



5
▼

