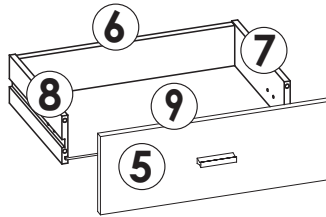
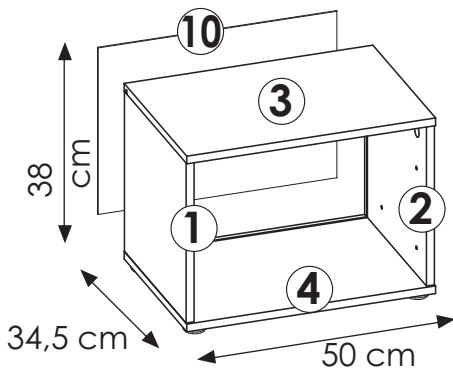
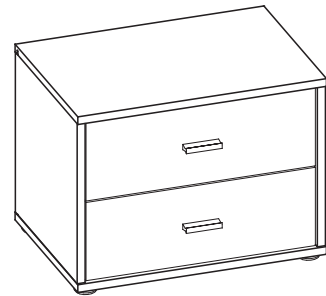
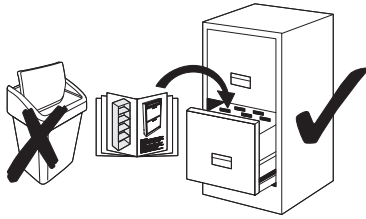
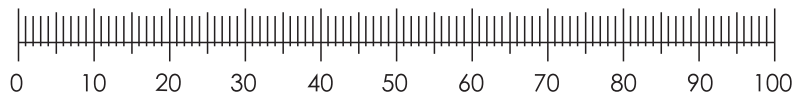
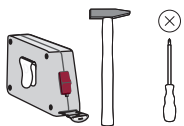


# 4YOU YUK12

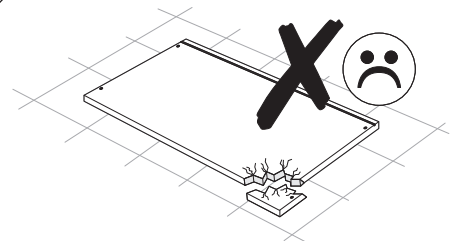
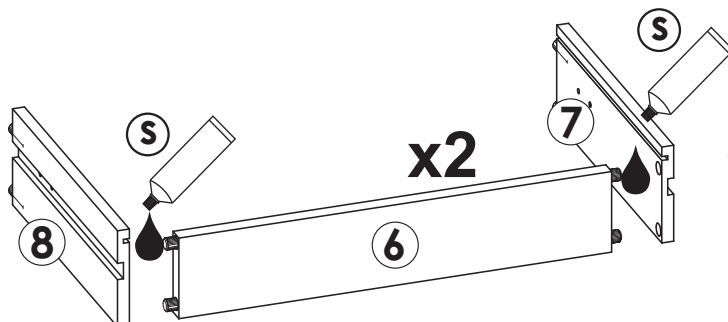
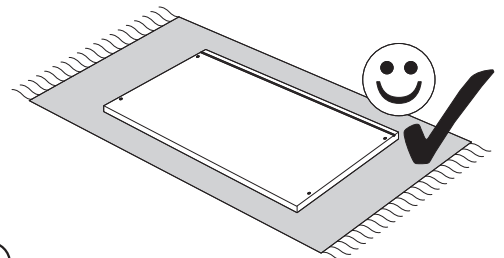
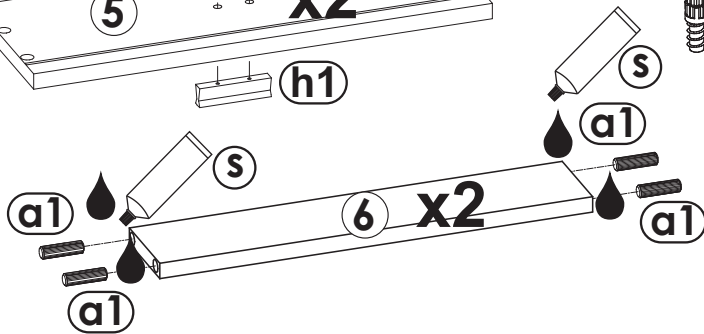
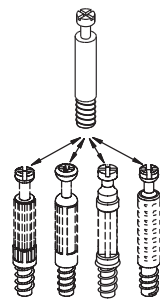
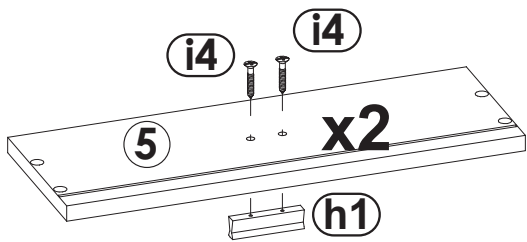
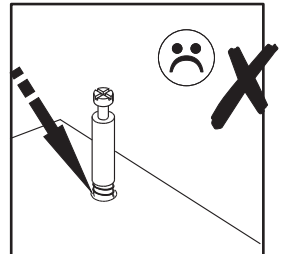
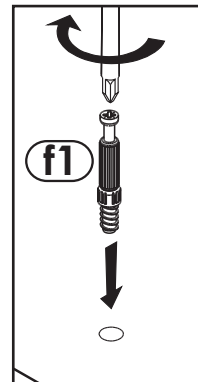
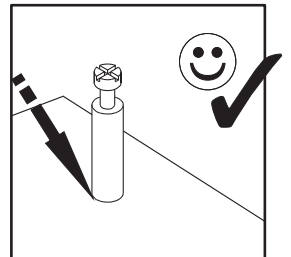
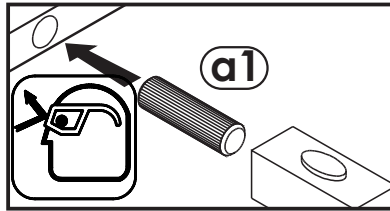
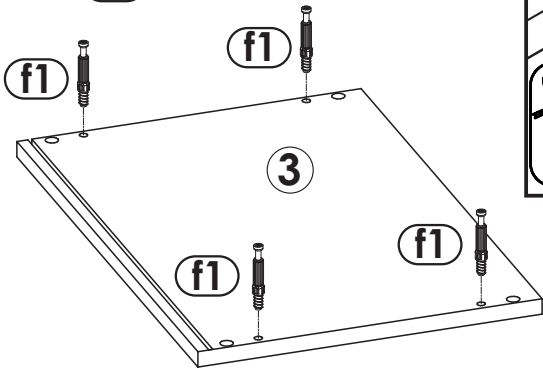
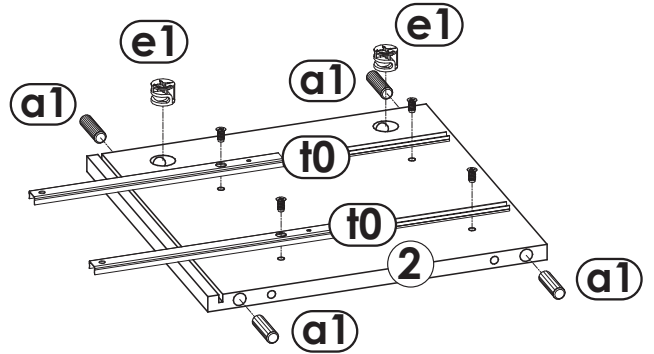
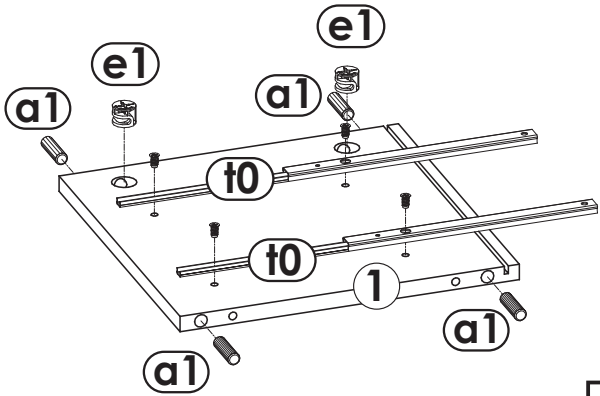
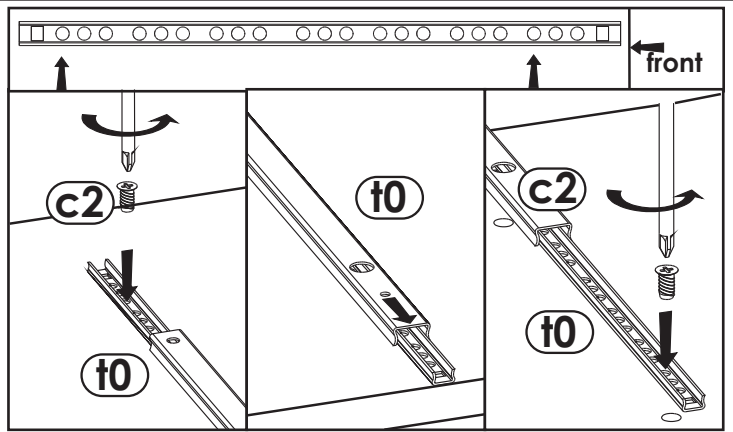
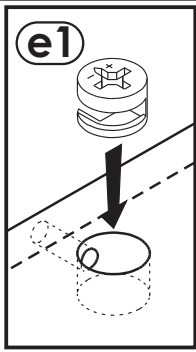
2S



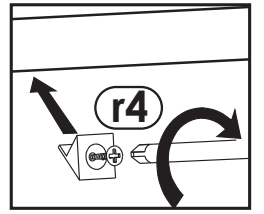
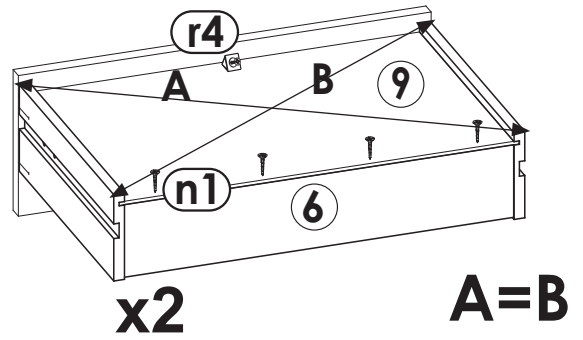
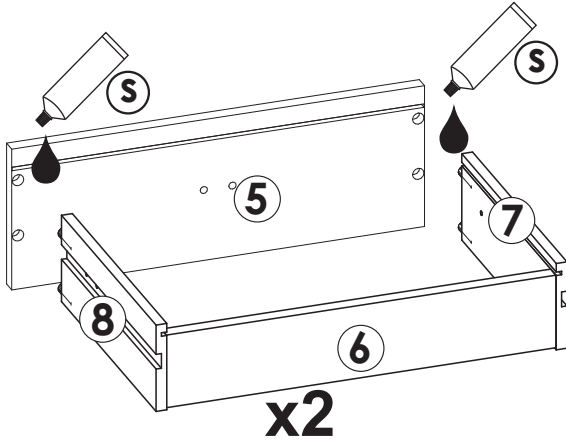
<b>a1</b>  8x35 x....(x16)	<b>c2</b>  Euro 5x13 x....(x8)	<b>e0</b>  x....(x4)	<b>e1</b>  x....(x4)	<b>f1</b>  x....(x4)	<b>g0</b>  x... (x4)	<b>g1</b>  7x50 x....(x4)	<b>h1</b>  x....(x2)	<b>i4</b>  3,5x27 x....(x4)
<b>i10</b>  3,5x22 x....(x4)	<b>k1</b>  4x9 x....(x4)	<b>m</b>  x....(x1)	<b>n1</b>  3x16 x... (x10)	<b>o1</b>  x....(x4)	<b>p0</b>  x....(x4)	<b>r4</b>  x....(x6)	<b>s</b>  x....(x1)	<b>t0</b>  x....(x4)



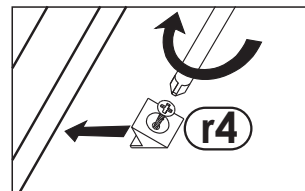
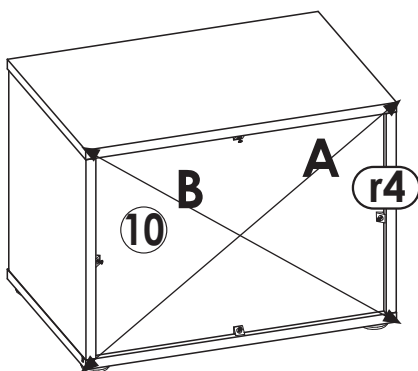
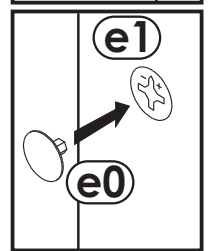
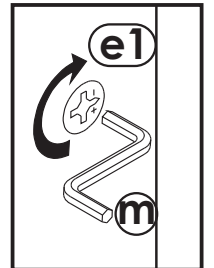
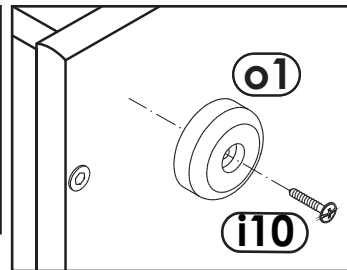
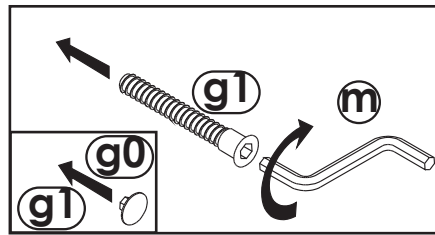
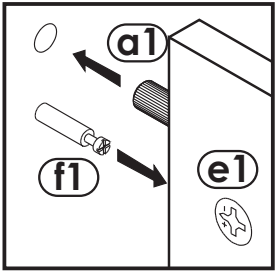
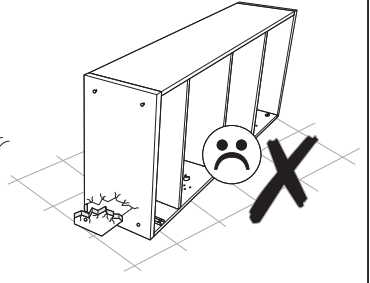
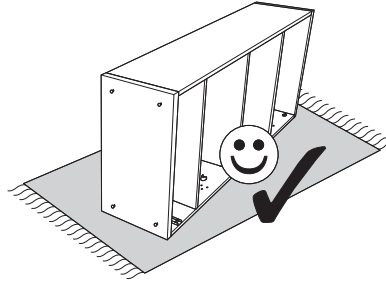
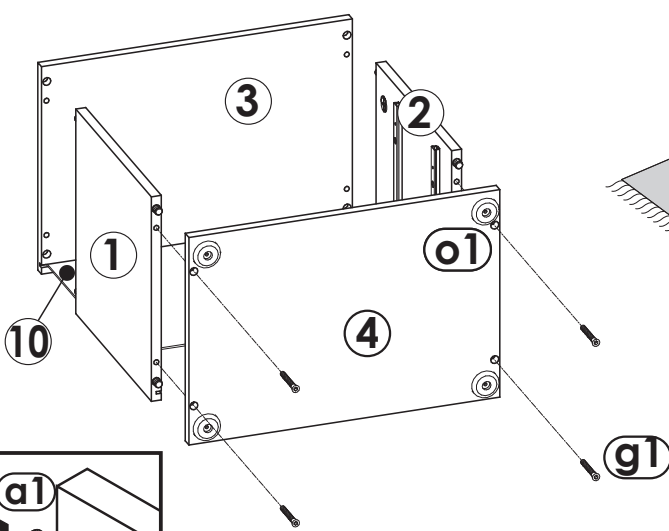
1  
↓



2



3



A=B

4  
▼

