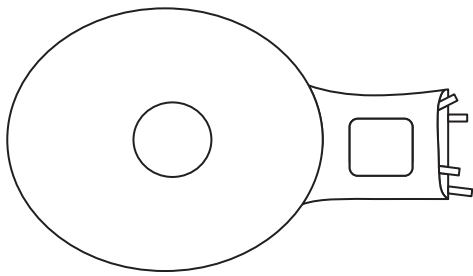


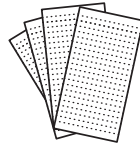
GALACTIC AERODOME

Congratulations! You must be the proud owner of this extraordinary Aerodome! You're just moments away from blasting off into outer space for amazing intergalactic adventures. So let's get started!

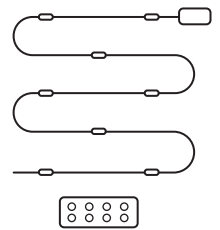
CONTENT



Aerodome



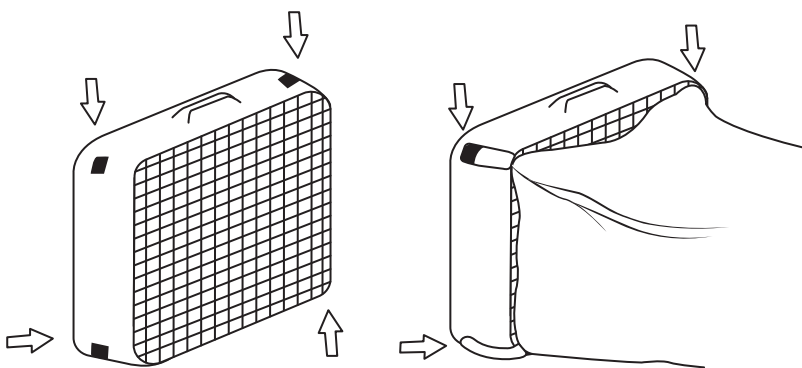
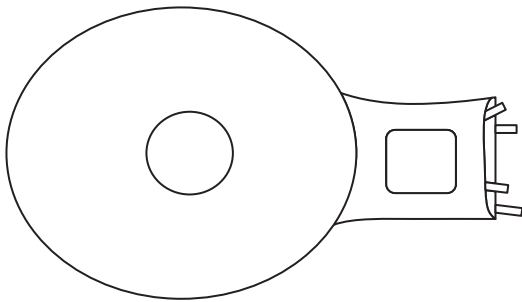
4 velcro stickers
for fan



LED lights with
remote control

NOTE: You will need a 20-inch Box Fan this is not included

ASSEMBLY



Step 1

Place Aerodome on floor with warning label facing up.

Step 2

Read all warnings on the Aerodome warning label. Ensure the fan is NOT plugged into an electrical outlet.

Step 3

Place Velcro stickers on the four corners of the fan.

Step 4

Attach the 2 top black straps of the Aerodome to the 2 pieces of velcro on the top of the fan.

Step 5

Repeat with 2 bottom straps.

⚠ WARNING: This product contains a button or coin cell battery. A swallowed button or coin cell battery can cause internal chemical burns in as little as two hours and lead to death. Dispose of used batteries immediately. Keep new and used batteries away from children. If you think batteries might have been swallowed or placed inside any part of the body, seek immediate medical attention.

INFLATION

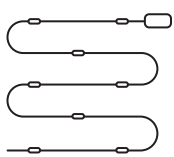
Step 1. Turn fan on and inflate the Aerodome (will take approx 30 secs).

Step 2. Fan must remain on for your Aerodome to remain inflated.

Step 3. Once inflated you may be able to lower the fan speed setting to maintain inflation.

Step 4. To enter and exit your Aerodome, lift bottom edge, the Aerodome will temporarily deflate, but will re-inflate once the bottom edge returns to the floor.

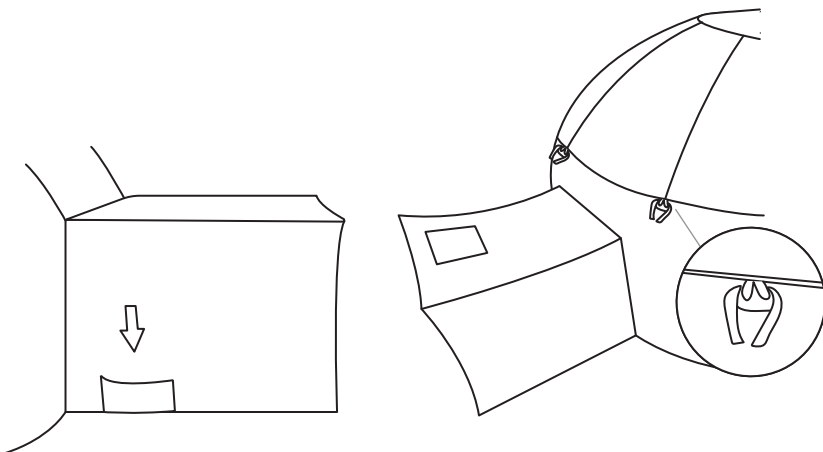
ACTIVATE LED LIGHTS & REMOTE CONTROL



- Lights require 3 x AA Batteries (not included);
- Remote Control requires 1 x CR2025 Batteries(not included);
- Do not mix old and new batteries. Do not mix alkaline, standard (carbon-zinc), or re-chargeable batteries.



Activate lights by pressing the 'ON' button while pointing at the battery pack. Select the light mode by pressing either 1-8, see battery pack for description of these light modes. Use timer option by selecting 4, 6 or 8H. To turn timer off press 'TIME OFF'. Change the brightness of the lights by pressing – or + 'DIM' buttons.



Step 1

Place LED battery box in battery pocket on Aerodome.

Step 2

Use tie to secure LED lights in place.

Step 3

Thread LED lights through loops around Aerodome.

Step 4

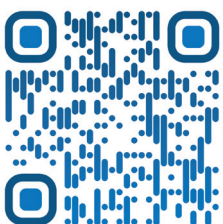
Use tie to secure off LED lights.

DEFLATION

Step 1. After everyone exits the Aerodome, turn off the fan and unplug the fan from the electrical outlet.

Step 2. Remove the 4 straps from the fan and store your Aerodome in your W&O drawstring bag.

NEED MORE HELP?



Scan this QR code or use the link: www.winstonolive.com

- To download & print your **Rocket Activity Pack** – use code **ROC2**;
- Contact our friendly customer support;