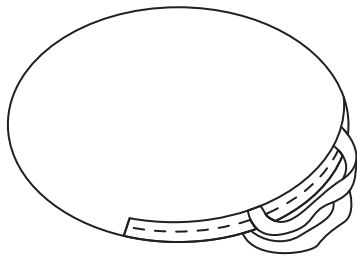


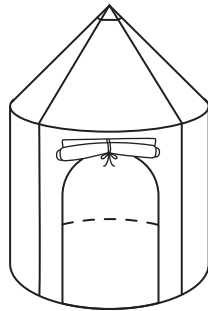
# DINOSAUR DISCOVERY PLAY TENT

Congratulations! You must be the proud owner of this dinomite play tent! You're just moments away from an awe-inspiring, exhilarating and gripping journey back to an age when dinosaurs roamed the earth. So let's get started!

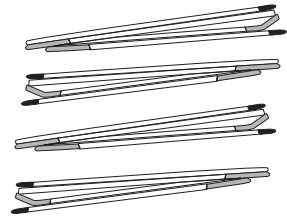
## CONTENTS



tent bag

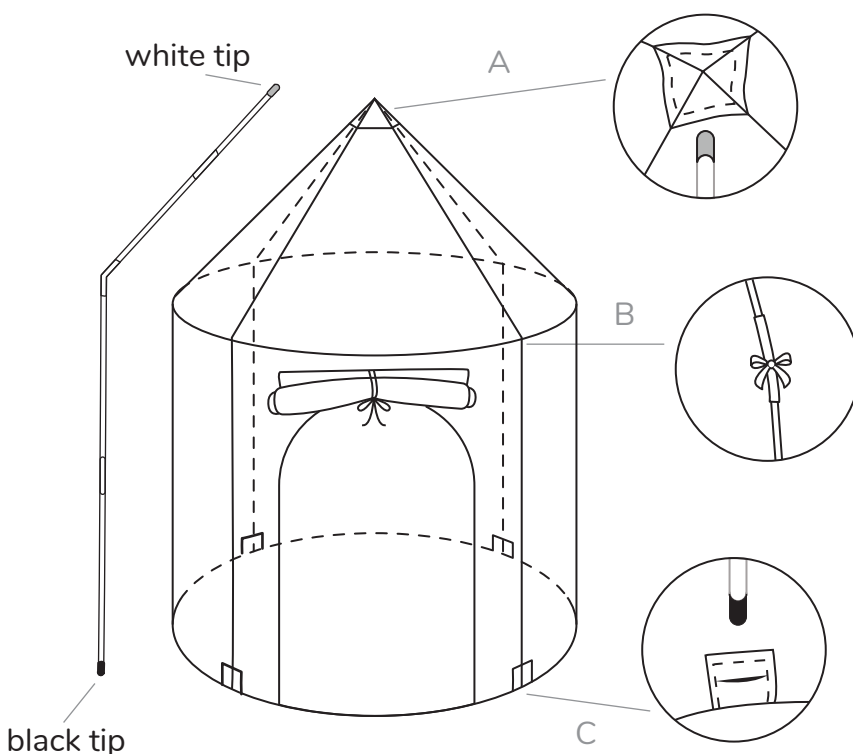


play tent with roar button  
attached to floor



4 tent poles

## ASSEMBLY



### Step 1

Remove the tent and poles from their bags.

### Step 2

Connect the fibreglass rods into the metal joints to create 4 tent poles.

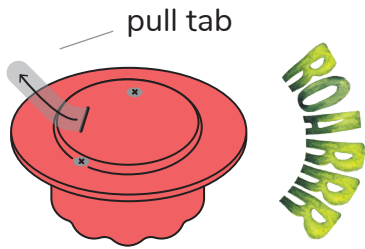
### Step 3

Insert the white end of the poles into the roof pockets of the tent (A)  
Insert the black end of the poles into the corresponding floor pockets of the tent (C)

### Step 4

Secure each pole in the middle, using the tent ties (B)

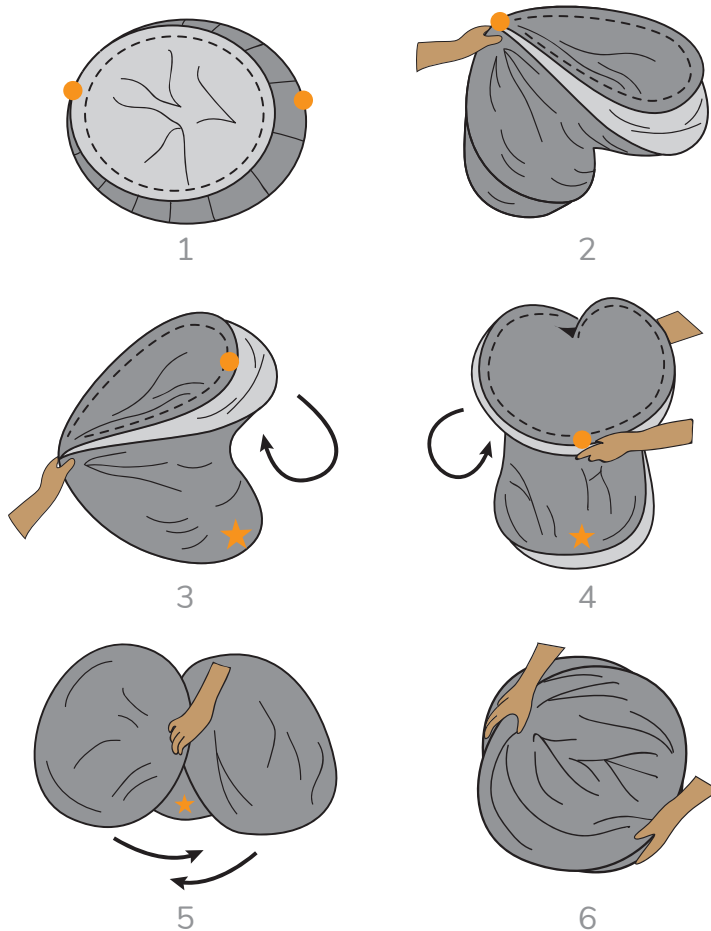
## ACTIVATE DINOSAUR ROAR BUTTON



- Slide button out of pocket on tent floor and remove the plastic battery tab at the back of the button;

- For battery replacement use 3x LR44 batteries;

## PACK AWAY FOR ANOTHER DAY



### Step 1

Remove the poles and collapse the tent into 1 flat circle .

### Step 2

Fold the tent in half.

### Step 3, 4

Twist the part that has orange “circle” on the image towards the direction of the “star” to make 2 small circles at both ends.

### Step 5

Fold these 2 circles on top of each other, so that its a neat size which will fit into the carry bag (scan the QR code below to watch ‘tent folding’ video).

### Step 6

Place the folded tent into the carry bag and zip up. Fold the tent poles and place them into their bag.

## NEED MORE HELP?

Scan this QR code or use the link: [www.winstonolive.com](http://www.winstonolive.com)



- To watch how to easily fold the tent back into its bag;

- To download & print your **Discovery Dino E-Booklet**;

- Register your 6 month warranty;

WINSTON & OLIVE CUSTOMER SERVICE PROMISE: Should you have any questions or concerns about your dino tent, please don't hesitate to contact us at [support@winstonolive.com](mailto:support@winstonolive.com) so we can resolve any issues straight away. We look forward to serving you.