

TABLE OF CONTENTS

Important Safety Instructions	3
Assembly	5
User Controls	5
Getting to Know Your Hoover® REACT™ Powered Reach™ Lite	
Upright	6
Available Tools and Accessories	7
Hoover® FloorSense™ Technology	8
Using the Hoover App	10
Using Your Hoover® REACT™ Powered Reach™ Lite Upright	11
Maintenance	12
Troubleshooting	15
Warranty Information	16
Français	17
Español	33

This manual is for models UH73400 & UH73400CA.



REACT™

**Welcome to Hoover ownership.
Make it official.**

Compatible with the Hoover App.

Download the **Hoover App** to register your new vacuum, customize **FloorSense™** settings, receive system maintenance reminders and access tips and tricks.



Apple and the Apple logos are trademarks of Apple, Inc., registered in the U.S., and other countries. App Store is a service mark of Apple Inc.



Android, Google Play, and the Google Play logo are trademarks of Google Inc.

You can also register by:
Calling: 1-877-839-2046
Visiting: Hoover.com or Hoover.ca

It's Guaranteed.
See Warranty for complete details.

Important Safety Instructions

SAVE THESE INSTRUCTIONS.

IMPORTANT: READ CAREFULLY BEFORE ASSEMBLY AND USE. THIS PRODUCT IS INTENDED FOR HOUSEHOLD USE ONLY. IF USED COMMERCIALY, WARRANTY IS VOID.

When using an electrical appliance, basic precautions should always be followed, including the following:

WARNING: TO REDUCE THE RISK OF FIRE, ELECTRIC SHOCK, DAMAGE OR INJURY:

- Fully assemble before operating.
- Operate vacuum only at voltage specified on data label on bottom of the vacuum canister.
- Do not leave appliance when plugged in. Unplug from outlet when not in use and before cleaning or servicing.
- Do not use outdoors or on wet surfaces.
- Do not allow to be used as a toy. Not intended for use by children age 12 and under. Close attention is necessary when used near children. To avoid injury or damage, keep children away from product, and do not allow children to place fingers or other objects into any openings.
- Use only as described in this manual. Use only manufacturer's recommended attachments and products.
- Do not use with damaged cord or plug. If appliance is not working as it should, has been dropped, damaged, left outdoors, or dropped into water, take it to a service center prior to continuing use.
- Do not pull or carry by cord, use cord as a handle, close a door on a cord or pull cord around sharp edges or corners. Do not place product on cord. Do not run appliance over cord. Keep cord away from heated surfaces.
- Do not unplug by pulling on cord. To unplug, grasp the plug, not the cord.
- Do not handle plug or appliance with wet hands.
- Do not put any object into openings. Do not use with any opening blocked. Keep free of dust, lint, hair and anything that may reduce air flow.
- Keep hair, loose clothing, fingers and all parts of body away from openings and moving parts.
- Turn off all controls before unplugging.
- Use extra care when cleaning on stairs. To avoid personal injury or damage, and to prevent the vacuum from falling, always place vacuum at the bottom of stairs on floor. Do not place vacuum on stairs or furniture, as it may result in injury or damage. When using tools, always ensure handle is in upright position.
- Do not use to pick up flammable or combustible liquids, such as gasoline or fine wood shavings, or use in areas where they may be present.
- Do not pick up anything that is burning or smoking, such as cigarettes, matches or hot ashes.
- Do not use without dirt cup and/or filters in place.
- Always turn off this appliance before connecting or disconnecting the hose or motorized nozzle.
- Unplug this appliance before connecting the air-powered Turbo Tool.

- The hose contains electrical wires. Avoid picking up sharp objects. If hose appears damaged, cut, punctured or wires are exposed, unplug unit and discontinue use. Do not attempt to repair damaged hose, take to an authorized service center for repair.

WARNING: To Reduce the Risk of Fire and Electric Shock, the Hoover Powered Stair Tool part number 440010888 must be used.

WARNING: This product contains chemicals known to the state of California to cause cancer, birth defects or reproductive harm. WASH HANDS AFTER HANDLING.

CAUTION: TO REDUCE THE RISK OF DAMAGE:

- Avoid picking up hard, sharp objects with this product, as they may cause damage. Store appropriately indoors in a dry place. Do not expose machine to freezing temperatures.
- Do not use sharp objects to clean out the hose as they can cause damage.
- With brush roll on, do not allow cleaner to sit in one location for an extended period of time, as damage to floor can result.

WARNING: TO REDUCE THE RISK OF ELECTRIC SHOCK, THIS APPLIANCE HAS A POLARIZED PLUG (ONE BLADE IS WIDER THAN THE OTHER). THIS PLUG WILL FIT IN A POLARIZED OUTLET ONLY ONE WAY. IF THE PLUG DOES NOT FIT FULLY IN THE OUTLET, REVERSE THE PLUG. IF IT STILL DOES NOT FIT, CONTACT A QUALIFIED ELECTRICIAN TO INSTALL THE PROPER OUTLET. DO NOT CHANGE THE PLUG IN ANY WAY.

This equipment has been tested and found to comply with the limits for a Class B digital device, pursuant to part 15 of the FCC Rules. These limits are designed to provide reasonable protection against harmful interference in a residential installation. This equipment generates, uses and can radiate radio frequency energy, and if not installed and used in accordance with the instructions, may cause harmful interference to radio communications. However, there is no guarantee that interference will not occur in a particular installation. If this equipment does cause harmful interference to radio or television reception, which can be determined by turning the equipment off and on, the user is encouraged to try to correct interference by one or more of the following measures:

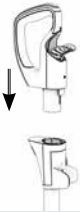

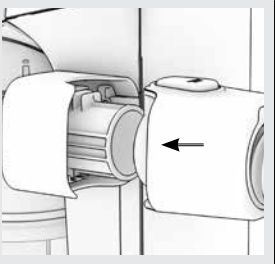
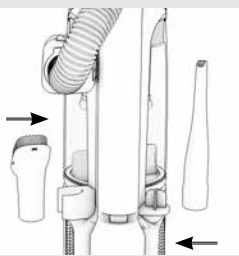
- Reorient or relocate the receiving antenna.
- Increase the separation between the equipment and receiver.
- Connect the equipment into an outlet on a circuit different from that to which the receiver is connected.
- Consult the dealer or an experienced radio/TV technician for help.

Under Industry Canada regulations, this radio transmitter may only operate using an antenna of a type and maximum (or lesser) gain approved for the transmitter by Industry Canada. To reduce potential radio interference to other users, the antenna type and its gain should be so chosen that the equivalent isotropically radiated power (e.i.r.p.) is not more than that necessary for successful communication.

Contains transmitter module IC: 12246A-BM77SPPSYC2

This device complies with Industry Canada license-exempt RSS standards(s). Operation is subject to the following two conditions: (1) this device may not cause interference, and (2) this device must accept any interference, including interference that may cause undesired operation of the device.

Assembly

			
<p>1 Insert handle into wand until it clicks in place.</p>	<p>2 Insert wand into the spine until it clicks in place.</p>	<p>3 Insert hose into canister until it clicks in place.</p>	<p>4 Place tools onboard.</p>




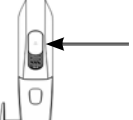


Tip - Make sure all pieces click into place.

Tip - Wrap cord around hooks for convenient storage. Attach the plug end to the cord.

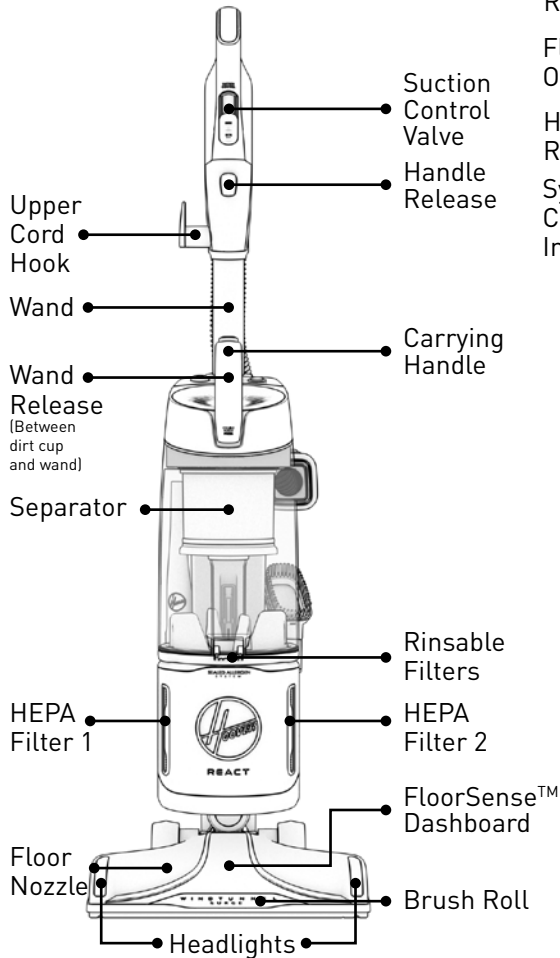
Tip - To unwrap cord quickly, rotate cord hook 180 degrees.

User Controls

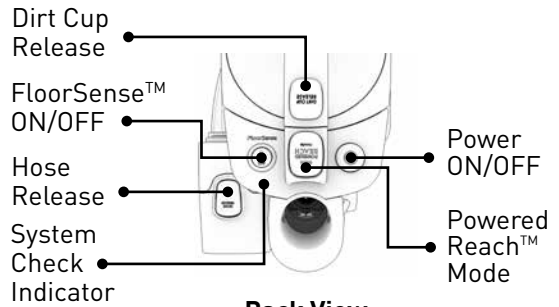
			
<p>1 Power the unit ON/OFF.*</p>	<p>2 FloorSense™ ON/OFF.*</p>	<p>3 System Check Indicator* Refer to the Maintenance section or the Hoover App for directions on how to remove clogs.</p>	<p>4 Suction Control Valve* If vacuum is difficult to push, open the Suction Control Valve on the handle.</p> <p style="text-align: right;">*See page 6 for location of features</p>

Getting to Know Your Hoover® REACT™ Upright

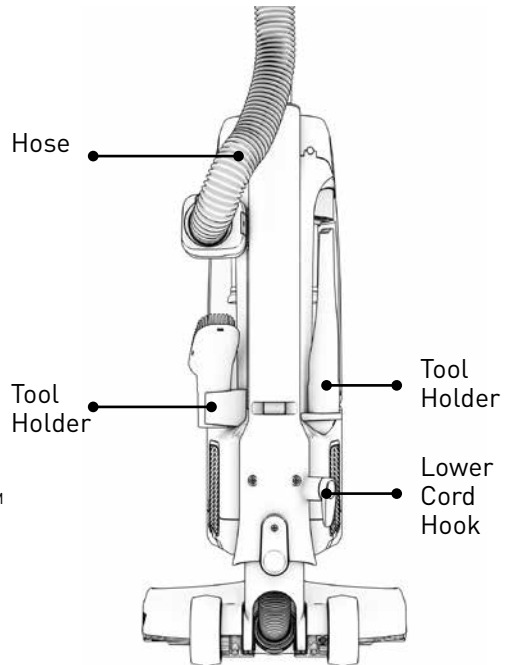
Front View



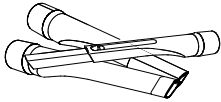

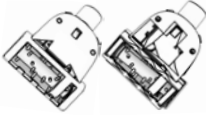
User Controls



Back View



Available Tools and Accessories***

<p>Crevice Tool: Great for cleaning in tight spaces and hard-to-clean corners.</p>		<p>Deluxe Crevice Tool: Rubberized tip that protects furniture when cleaning tight spaces.</p> <p>XL Crevice Tool: Extra-long, flexible tip that reaches into hard-to-clean spaces.</p>
<p>Dusting Brush: Delicate bristles that gently clean fine dust.</p>		<p>Flexible Dusting Brush: Dust hard-to-reach surfaces such as fan blades and blinds.</p>
<p>Turbo Tool: Easily clean furniture, stairs, upholstery and more.</p>		<p>Pet Turbo Tool: Uniquely designed to remove stubborn pet hair from furniture, stairs, upholstery and more.</p>

***Tools vary by model number. Refer to Hoover.com or Hoover.ca for tools included in each model.

Hoover® FloorSense™ Technology

Hoover® REACT™ with FloorSense™ technology automatically optimizes cleaning performance on carpet and hard floors.


On carpet, **FloorSense™** automatically increases brush roll speed to lift deep-down embedded dirt.

On hard floors, **FloorSense™** automatically slows the brush roll to prevent scattering of dirt across the floor.



The **FloorSense™ Dashboard** displays useful functions of your vacuum. When **FloorSense™** is active, lights on the dashboard will pulse when sensing floor type.

Once **FloorSense™** has determined the optimal setting for your floor type, you will see **CARPET** or **HARD FLOOR** illuminated on the dashboard.



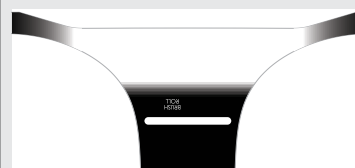
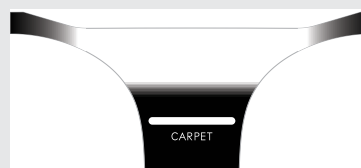
HARD FLOOR



**WARNING**

To reduce the risk of injury from moving parts, unplug before cleaning or servicing.

Hoover® FloorSense™ Technology



1 When cleaning **CARPET**, **FloorSense™** automatically increases brush roll speed to lift deep-down embedded dirt.

2 On **HARD FLOOR**, **FloorSense™** automatically slows the brush roll to prevent scattering of dirt across the floor.

3 **BRUSH ROLL** will be displayed when the brush roll is jammed or overloaded. Refer to the **Maintenance** section or the **Hoover App** for directions on how to clean the brush roll.



Tip - To allow **FloorSense™** to determine floor type and optimize brush roll speed automatically; ensure the **FloorSense™** control is in the ON position.



Using the Hoover App

IMPORTANT: Read all instructions before using this appliance.

Hoover® REACT™ vacuums are compatible with the Hoover App.

Download the **Hoover App** to:

1. Register your new vacuum
2. Customize **FloorSense™** settings
3. Receive system maintenance reminders
4. Access tips and tricks



Customize
FloorSense™
Settings



System
Maintenance
Reminders



Access Tips
and Tricks



Tip - Vacuum must be powered ON to connect to the **Hoover App**.

Tip - The headlights will flash three times when the vacuum connects to your mobile device.



Apple and the Apple logos are trademarks of Apple, Inc., registered in the U.S., and other countries. App Store is a service mark of Apple Inc.



Android, Google Play, and the Google Play logo are trademarks of Google Inc.

Using Your Hoover® REACT™ Upright

Upright Mode

1. Step on nozzle and pull handle back.
2. Turn ON vacuum.
3. Allow **FloorSense™** to detect floor type and automatically adjust settings.

⚠ CAUTION ⚠

When vacuum is reclined with brush roll switched on, never leave the vacuum in one position for any long period of time.



Tip - For optimal performance, ensure the **FloorSense™** control is switched to the ON position.

Portable Lift Mode - For extending reach beyond the floor.

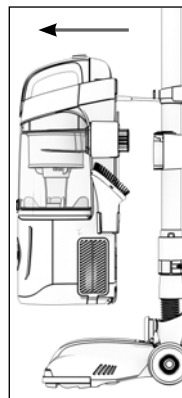
1. Detach canister from the vacuum spine by pressing **Powered Reach™ Mode**.
2. Press wand or handle release and pull handle up.
3. Attach cleaning accessory to the end of the wand or handle.
4. Turn ON vacuum.

Powered Reach™ Mode - For extending reach under furniture.

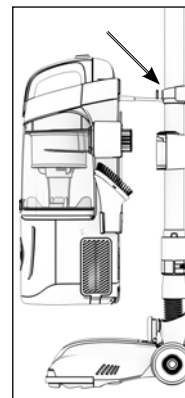
1. Detach canister from vacuum spine by pressing **Powered Reach™ Mode**
2. Turn ON vacuum.
3. Clean under furniture with powered nozzle.

⚠ CAUTION ⚠

Use extra care when cleaning on stairs. To avoid personal injury or damage, and to prevent the cleaner from falling, always place cleaner at the bottom of the stairs or on the floor. Do not place cleaner on stairs or furniture, as it may result in injury or damage. When using tools, always ensure handle is in the upright position.



Detach Canister



Wand or Handle Release
(Between dirt cup and wand)



WARNING



To reduce the risk of personal injury, unplug before cleaning or servicing.

Maintenance

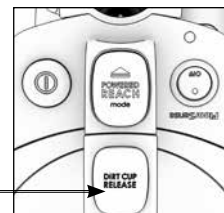
Any other servicing should be done by an authorized service representative. If appliance is not working as it should, has been dropped, damaged, left outdoors, or dropped into water, take it to a service center prior to continuing use.

Hoover® REACT™ vacuums should have regular maintenance checks to maintain optimal performance and suction. Refer to this manual or your **Hoover App** to learn how to maintain your vacuum.

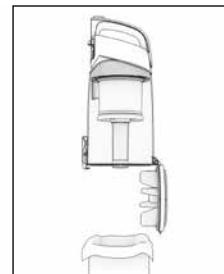
Notice: A Thermal Protector has been designed into your cleaner to protect it from overheating. When the Thermal Protector activates, the cleaner will stop running. If this happens proceed as follows:

1. Turn cleaner OFF and unplug it from the electrical outlet.
2. Empty the dirt cup.
3. Inspect the nozzle inlet, hose connector, hose, dirt cup inlet, cyclonic filter, rinsable filters and HEPA filters for any obstructions. Clear obstructions if present.
4. When cleaner is unplugged and motor cools off for 30 minutes, the Thermal Protector will deactivate and cleaning may continue.

If the Thermal Protector continues to activate after following the above steps, your cleaner needs servicing. Refer to the Warranty section in the user manual for servicing information.



Dirt Cup Release



Empty Dirt Cup

Emptying the Dirt Cup:

1. Remove dirt cup by pressing the dirt cup release button.
2. Hold dirt cup over a trash can and press the dirt cup trap door release to empty the dirt cup.



Tip - Empty dirt cup after every use to maintain optimal performance.



WARNING



Do not use vacuum without dirt cup and dry filters.

**WARNING**

To reduce the risk of personal injury, unplug before cleaning or servicing.

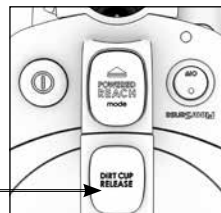
Maintenance

Cleaning the Filters:

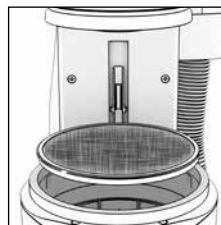
Rinsable Filters

1. Remove dirt cup by pressing the dirt cup release button.
2. Access the rinsable filters under the dirt cup.
3. To remove, pull up on the tab provided.
4. Rinse under running water until all dirt is out of the filters.
5. Let your filters dry for 24 hours before replacing into vacuum.

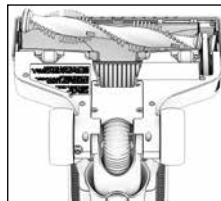
Tip - Replace filters when heavily discolored. Make sure filters are flush to the bottom of the filter housing.



Dirt Cup Release



Remove Filter



Clean Brush Roll

HEPA Filters

Hoover® REACT™ products have 2 HEPA filters. Refer to **Getting to Know Your Hoover® REACT™ Powered Reach™ Lite** for location.

1. Locate HEPA filters on each side of the vacuum below the dirt cup.
2. Unscrew the vent cover located on the bottom of the canister to access filters.
3. Remove filters and tap on side of trash can to release excess dirt.

Tip - **DO NOT RINSE HEPA FILTERS.** Replace filters when heavily discolored. Do not use your vacuum without all of the filters in place.

Cleaning and Maintaining the Brush Roll:

1. To access the brush roll, unscrew the nozzle guard from the nozzle.
2. Remove brush roll by pulling it up and out from the vacuum belt.
3. Remove any hair or blockages.
4. Replace brush roll and nozzle guard.

Tip - Rotate brush roll manually to ensure the belt is properly installed. Vacuum is equipped with an automatic brush roll shutoff in the event of overload or jam. Check for obstructions in the brush roll area and remove any obstructions. When obstructions are cleared, resume cleaning as normal.

LUBRICATION: The motor and brush roll are equipped with bearings which contain sufficient lubrication for their lifetime. The addition of lubrication could cause damage. Do not add lubricant to motor or brush roll.

**CAUTION**

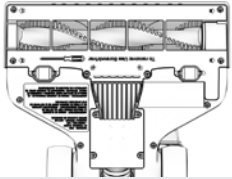
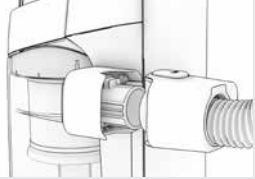

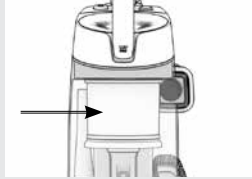

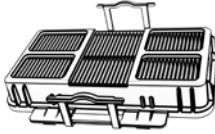


To reduce the risk of injury from moving parts, unplug before cleaning or servicing.

Maintenance

Removing System Clogs

If your vacuum is losing suction, check and remove any clogs.

Check for clogs in the areas highlighted below.

			
1 Nozzle inlet	2 Hose connector	3 Dirt cup inlet	4 Cyclonic filter
			
5 Rinsable filters	6 HEPA filters	7 Hose	8 Wand

**WARNING**

To reduce the risk of personal injury, unplug before cleaning or servicing.

Troubleshooting Guide

Any other servicing should be done by an authorized service representative. If appliance is not working as it should, has been dropped, damaged, left outdoors, or dropped into water, take it to a service center prior to continuing use.

Vacuum will not turn ON.

Always be sure to plug it in firmly. A Thermal Protector may have been activated - unplug and let vacuum cool for 30 minutes. If this does not work, there may be no voltage in the wall plug. Check fuse or breaker in home. If there is a blown fuse or tripped breaker, replace fuse or reset breaker in home.

My vacuum is hard to push.

Open the Suction Control Valve near the handle by sliding the valve up.

My vacuum is losing suction.

Be sure to empty the dirt cup if it is full. You may have a clogged filter. Your filter should be rinsed every 4-6 uses. Refer to the Maintenance section or the **Hoover App** for directions on how to clean your filters.

If problem persists, you may have a clog in the system. Refer to Maintenance in the user manual for directions on removing clogs.

My brush roll is not spinning or FloorSense™ dashboard is not displaying correctly.

1. Unplug and remove any hair or other blockages around the brush roll if **FloorSense™** is displaying "**HARD FLOOR**" while on carpet.
2. Clean filters. Refer to the Maintenance section or the **Hoover App** for directions on how to clean filters.
3. Check for clogs in the system. Refer to the Maintenance section or the **Hoover App** for directions on how to remove clogs.
4. Resume normal operation and **FloorSense™** will reset.

I can't connect my vacuum to the Hoover App.

Vacuum must be powered ON to connect to the **Hoover App**.

For more troubleshooting or FAQ's please call: 1-877-839-2046 or visit Hoover.com or Hoover.ca if you have any questions.

**CAUTION**

To reduce the risk of injury from moving parts, unplug before cleaning or servicing.

Service & Warranty

SERVICE & WARRANTY FOR HOOVER® REACT™ POWERED REACH™ LITE PRODUCT SERVICE INFORMATION

REPRESENTATIVE Call 1-877-839-2046 USA & Canada

In the event that further assistance is required, visit and authorized service center. Find one nearest you by visiting our website at www.Hoover.com or Hoover.ca. Costs of any transportation to and from any place of repair are to be paid by the owner. Always identify your product by the model number and manufacturing code when requesting information or ordering replacement parts. (the model number and manufacturing code for the vacuum appears on the bottom of the canister.)

LIMITED FIVE YEAR WARRANTY (DOMESTIC USE)

WHAT THIS WARRANTY COVERS

When used and maintained in normal household use and in accordance with the Owner's Manual, your HOOVER product is warranted against original defects in material and workmanship for a full five year from date of purchase (the "Warranty Period"). During the Warranty Period, Hoover will provide labor and parts, at no cost to you, to correct any such defect in products purchased in the United States, U.S. Military Exchanges and Canada.

HOW TO MAKE A WARRANTY CLAIM

If this product is not as warranted, take or send the product to either a Hoover Sales and Service Center or Hoover Authorized Warranty Service Dealer along with proof of purchase. For an automated referral to authorized service outlets in the U.S.A., phone: 1-877-839-2046 OR visit Hoover online at www.Hoover.com or Hoover.ca. For additional assistance or information concerning this Warranty or the availability of warranty service outlets, phone the Hoover Consumer Response Center, Phone 1-877-839-2046, Mon-Fri 8am-7pm EST. In Canada, contact Hoover Canada, Carson Building, 100 Carson St., Etobicoke, Ontario M8W 3R9, Phone: 1-877-839-2046, Mon-Fri 8am-7pm EST.

WHAT THIS WARRANTY DOES NOT COVER

This Warranty does not cover: use of the product in a commercial operation (such as maid, janitorial and equipment rental services), filter, brush roll, belt, improper maintenance of the product, damage due to misuse, acts of God, nature, vandalism or other acts beyond the control of Hoover, owner's acts or omissions, use outside the country in which the product was initially purchased and resales or transfers of the product by the original owner. This warranty does not cover pick up, delivery, transportation or house calls. However, if you mail your product to a Hoover Sales and Service Center for warranty service, cost of shipping will be paid one way.

This warranty does not apply to products purchased outside the United States, including its territories and possessions, outside a U.S. Military Exchange and outside of Canada. This warranty does not cover products purchased from a party that is not an authorized retailer, dealer, or distributor of Hoover products.

OTHER IMPORTANT TERMS

This Warranty is not transferable and may not be assigned. This Warranty shall be governed and construed under the laws of the state of Ohio. The Warranty Period will not be extended by any replacement or repair performed under this Warranty.

THIS WARRANTY IS THE EXCLUSIVE WARRANTY AND REMEDY PROVIDED BY HOOVER. ALL OTHER WARRANTIES, EXPRESSED OR IMPLIED, INCLUDING WARRANTIES OF MERCHANTABILITY OR FITNESS FOR PARTICULAR PURPOSE, ARE DISCLAIMED. IN NO EVENT WILL HOOVER BE LIABLE FOR ANY SPECIAL, INDIRECT, INCIDENTAL OR CONSEQUENTIAL DAMAGES OF ANY KIND OR NATURE TO OWNER OR ANY PARTY CLAIMING THROUGH OWNER, WHETHER BASED IN CONTRACT, NEGLIGENCE, TORT OR STRICT PRODUCTS LIABILITY OR ARISING FROM ANY CAUSE WHATSOEVER.

Some states do not allow the exclusion of consequential damages, so the above exclusion may not apply to you. This warranty gives you specific rights; you may also have others that vary from state to state.

CONTENU

Consignes de sécurité importantes.	19
Assemblage.	21
Commandes de l'utilisateur.	21
Apprivoiser votre aspirateur vertical Hoover^{MD} REACT^{MC}	
Powered Reach^{MC} Lite	22
Outils et accessoires offerts	23
Technologie Hoover^{MD} FloorSense^{MC}	24
Utilisation de l'appli Hoover	26
Utilisation de votre aspirateur vertical Hoover^{MD} REACT^{MC}	
Powered Reach^{MC} Lite	27
Entretien	28
Dépannage	31
Renseignements sur la garantie	32

Ce manuel est pour les modèles UH73400 & UH73400CA.



REACT™

**Bienvenue chez Hoover.
Devenez officiellement propriétaire.**

Compatible avec l'appli Hoover.

Téléchargez l'**appli Hoover** pour enregistrer votre nouvel aspirateur, personnaliser vos réglages **FloorSense^{MC}**, recevoir des rappels d'entretien du système et consulter les trucs et astuces.



Apple et le logo Apple sont des marques déposées d'Apple Inc., et des marques déposées aux États-Unis et dans d'autres pays. App Store est une marque de commerce d'Apple Inc.



Android, Google Play et le logo Google Play sont des marques de commerce de Google Inc.

L'enregistrement de votre produit est aussi possible :

par téléphone : +1 877 839-2046
sur le Web : Hoover.com or Hoover.ca

C'est garanti.
Consultez la garantie pour
obtenir plus de détails.

Consignes de sécurité importantes

CONSERVEZ CES INSTRUCTIONS.

IMPORTANT : LISEZ ATTENTIVEMENT AVANT L'ASSEMBLAGE ET L'UTILISATION. CET APPAREIL EST DESTINÉ UNIQUEMENT À UN USAGE DOMESTIQUE. TOUTE UTILISATION COMMERCIALE ANNULERA LA GARANTIE.

Lorsque vous utilisez des appareils électriques, veuillez toujours respecter entre autres les consignes de sécurité élémentaires suivantes :

AVERTISSEMENT : POUR RÉDUIRE LE RISQUE D'INCENDIE, DE DÉCHARGE ÉLECTRIQUE, DE DOMMAGE OU DE BLESSURE :

- Assemblez entièrement l'appareil avant de l'utiliser.
- Faites seulement fonctionner l'appareil à la tension indiquée sur la plaque signalétique située au bas du boîtier de l'aspirateur.
- Ne laissez pas l'appareil branché sans surveillance. Débranchez la fiche de la prise de courant dès la fin de l'utilisation et avant le nettoyage ou d'en faire l'entretien.
- N'utilisez pas l'appareil à l'extérieur ni sur des surfaces humides.
- Ne permettez pas aux enfants de jouer avec l'appareil. Cet appareil ne doit pas être utilisé par des enfants de moins de 12 ans. Exercez une surveillance étroite lorsque l'appareil est utilisé à proximité d'enfants. Pour éviter les blessures ou les bris, tenez les enfants loin de l'appareil, et ne laissez pas ces derniers introduire leurs doigts ou d'autres objets dans les ouvertures.
- Utilisez l'appareil uniquement aux fins décrites dans le présent guide. Utilisez uniquement les accessoires et produits recommandés par le fabricant.
- N'utilisez pas l'appareil lorsque le cordon ou la fiche est endommagé. Cessez d'utiliser l'appareil s'il ne fonctionne pas comme prévu, s'il a été échappé sur le sol ou dans l'eau, s'il est endommagé ou s'il a été laissé à l'extérieur et apportez-le au centre de réparations.
- Ne tirez pas et ne transportez pas l'appareil par son cordon, n'utilisez pas le cordon comme une poignée, ne coinciez pas le cordon dans l'embrasure d'une porte et ne le tirez pas contre des arêtes ou des cornières tranchantes. Ne placez pas l'appareil sur le cordon. Ne faites pas rouler l'appareil sur le cordon. Tenez le cordon éloigné des surfaces chaudes.
- Ne débranchez pas l'appareil en tirant le cordon. Débranchez l'appareil en tenant la fiche et non le cordon.
- Ne manipulez pas la fiche ou l'appareil avec des mains mouillées.
- N'insérez aucun objet dans les ouvertures. N'utilisez pas l'appareil si les ouvertures sont obstruées. Assurez-vous qu'elles sont exemptes de poussière, de mousse, de cheveux ou de tout ce qui pourrait réduire le débit d'air.
- Gardez les cheveux, les vêtements amples, les doigts et toute autre partie du corps à l'écart des ouvertures et des pièces en mouvement.
- Éteignez toutes les commandes avant de débrancher l'appareil.
- Redoublez de prudence lorsque vous utilisez l'appareil dans un escalier. Pour éviter tout dommage ou blessure et empêcher l'aspirateur de tomber, placez toujours ce dernier au bas des escaliers ou sur le plancher. Ne placez pas l'aspirateur sur les marches d'un escalier ou sur un meuble, car cela peut entraîner des dommages ou des blessures. Lorsque vous utilisez des outils, assurez-vous que la poignée est toujours en position verticale.
- N'utilisez pas l'appareil pour aspirer des liquides inflammables ou combustibles comme de l'essence, ou de la sciure de bois, ni dans des endroits où de telles substances peuvent être présentes.

- Débranchez l'appareil avant de brancher L'outil Turbo à air.
- N'utilisez pas l'appareil si le vide-poussière ou les filtres ne sont pas installés.
- Éteignez toujours l'appareil avant d'installer ou de retirer le tuyau ou la buse motorisée.
- Le tuyau contient des fils électriques. Évitez de ramasser des objets aux arêtes tranchantes. Si le tuyau semble endommagé, coupé ou percé, ou si les câbles sont exposés, débranchez l'appareil et cessez de l'utiliser. Ne tentez pas de réparer un tuyau endommagé. Apportez-le dans un centre de service autorisé (pour les modèles sélectionnés uniquement).

AVERTISSEMENT: Afin de réduire le risque d'incendie et de choc électrique, il faut utiliser l'outil d'escalier Hoover Powered 440010888.

AVERTISSEMENT : Ce produit contient des produits chimiques reconnus par l'État de la Californie comme pouvant causer le cancer, des anomalies congénitales ou des dysfonctions du système reproducteur.

BIEN SE LAVER LES MAINS APRÈS LA MANIPULATION.

MISE EN GARDE : POUR RÉDUIRE LES RISQUES DE DOMMAGE :

- Évitez d'utiliser l'appareil pour ramasser des objets durs ou aux arêtes tranchantes, car ils pourraient endommager l'appareil. Rangez l'appareil adéquatement à l'intérieur et dans un endroit sec. N'exposez pas l'appareil à des conditions de gel.
- N'utilisez pas d'objet aux arêtes tranchantes pour nettoyer le tuyau, car cela risquerait de l'endommager.
- Après avoir activé le rouleau-brosse, évitez l'immobilisation de l'appareil à un seul endroit pendant un long moment, car vous risqueriez d'endommager le plancher.

AVERTISSEMENT : CET APPAREIL EST ÉQUIPÉ D'UNE FICHE POLARISÉE (LAME PLUS LARGE QUE LES AUTRES) AFIN DE RÉDUIRE LE RISQUE D'ÉLECTROCUTION. CETTE FICHE DOIT ÊTRE BRANCHÉ DANS UNE PRISE POLARISÉE ET DANS UN SEUL SENS. SI LA FICHE NE PEUT ÊTRE INSÉRÉE DANS LA PRISE, RETOURNEZ-LA ET ESSAYEZ À NOUVEAU. SI VOUS NE POUVEZ TOUJOURS PAS L'INSÉRER, COMMUNIQUEZ AVEC UN ÉLECTRICIEN QUALIFIÉ POUR FAIRE INSTALLER UNE PRISE APPROPRIÉE. NE MODIFIEZ LA FICHE EN AUCUN CAS.

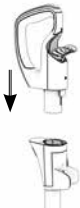

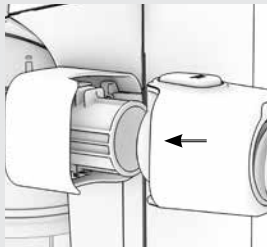
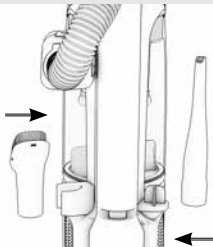
Cet appareil a été testé et déclaré conforme aux limites pour appareils numériques de classe B, conformément à la partie 15 des règlements de la FCC. Ces restrictions visent à garantir une protection suffisante contre les interférences nuisibles dans une installation résidentielle. Cet appareil génère, utilise et émet de l'énergie radioélectrique et peut, en cas d'installation ou d'utilisation non conforme aux instructions, engendrer des interférences nuisibles aux communications radio. Toutefois, rien ne garantit l'absence d'interférences dans une installation particulière. Si cet appareil produit de l'interférence perturbant la réception radio ou télévision, ce que vous pouvez confirmer en éteignant et en allumant l'appareil, nous vous recommandons d'essayer d'éliminer l'interférence de l'une des façons suivantes :

- Réorienter ou repositionner l'antenne de réception.
- Augmenter l'espacement entre l'équipement et le récepteur.
- Brancher l'appareil sur un circuit différent de celui du récepteur.
- Consulter le vendeur ou un technicien radiotélévision expérimenté pour obtenir de l'aide.

Conformément à la réglementation d'Industrie Canada, le présent émetteur radio peut fonctionner avec une antenne d'un type et d'un gain maximal (ou inférieur) approuvé pour l'émetteur par Industrie Canada. Dans le but de réduire les risques de brouillage radioélectrique à l'intention des autres utilisateurs, il faut choisir le type d'antenne et son gain de sorte que la puissance isotrope rayonnée équivalente (p.i.r.e.) ne dépasse pas l'intensité nécessaire à l'établissement d'une communication satisfaisante.

Comprend le circuit intégré du module transmetteur : 12246A-BM77SPPSYC2 Cet appareil est conforme aux normes RSS hors licence d'Industrie Canada. Son utilisation est assujettie aux deux conditions suivantes : (1) cet appareil ne doit pas causer d'interférences et (2) cet appareil doit pouvoir recevoir toutes les interférences, y compris celles susceptibles de gêner son bon fonctionnement.

Assemblage

			
<p>1 Insérez la poignée dans le tube jusqu'à ce qu'elle s'enclenche.</p>	<p>2 Insérez le tube dans le manchon jusqu'à ce qu'il s'enclenche.</p>	<p>3 Insérez le tuyau dans l'entonnoir jusqu'à ce qu'il s'enclenche en place.</p>	<p>4 Insérez les outils sur l'appareil.</p>




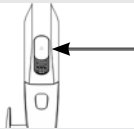


Astuce - Veillez à ce que toutes les pièces s'enclenchent bien.

Astuce - Enroulez le cordon autour des crochets destinés à cet effet avant de ranger l'appareil. Fixez la fiche au cordon.

Astuce - Pour dérouler rapidement le cordon, tournez les crochets du cordon à 180 degrés.

Commandes de l'utilisateur

			
<p>1 Allumage/ extinction de l'appareil.*</p>	<p>2 Allumage/extinction de la fonction FloorSense^{MC}.*</p>	<p>3 Voyant de vérification du système.* Reportez-vous à la section Entretien de l'appli Hoover pour savoir comment retirer les obstructions.</p>	<p>4 Robinet de débit d'aspiration.* Si l'aspirateur est difficile à pousser, ouvrez le robinet de débit d'aspiration sur la poignée. *Voir page 22 pour l'emplacement des fonctionnalités</p>

Apprivoiser votre aspirateur vertical Hoover^{MD} REACT^{MC}

Vue Avant

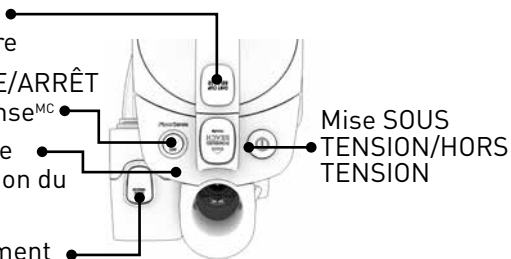
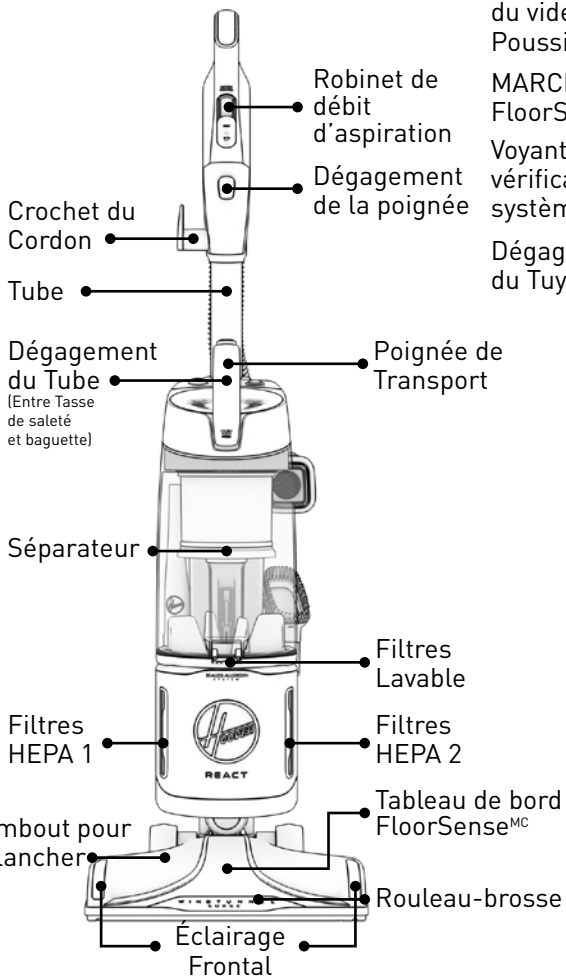
Commandes de l'utilisateur

Dégagement du vide-Poussière

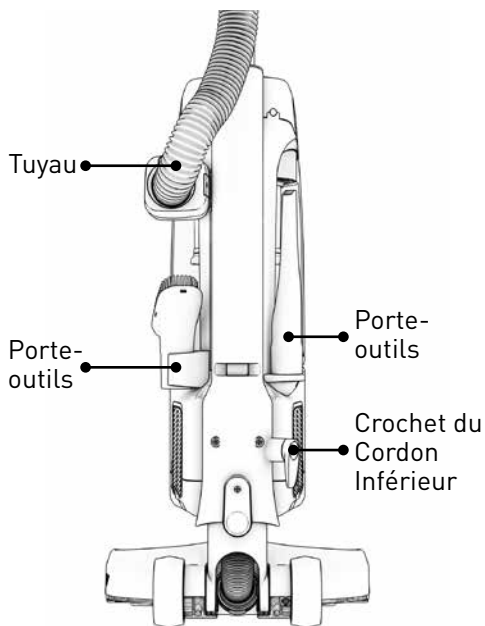
MARCHE/ARRÊT FloorSense^{MC}

Dégagement du Tuyau

Mise SOUS TENSION/HORS TENSION

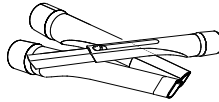


Vue Arrière



Available Tools and Accessories*****Suceur plat :**

S'utilise dans les espaces restreints et dans les recoins difficiles à nettoyer.

**Suceur plat de luxe :**

Un embout en caoutchouc qui protège les meubles lorsque vous vous en servez dans des espaces restreints.

Très grand suceur plat :

Un embout extra long et souple pouvant atteindre les endroits difficiles à nettoyer.

Brosse à épousseter :

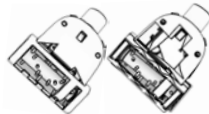
Des poils délicats qui nettoient doucement la poussière fine.

**Brosse à épousseter souple :**

Pour épousseter les surfaces difficiles comme les pales d'un ventilateur ou les stores.

L'outil Turbo :

Pour nettoyer facilement les escaliers, les revêtements en tissu et plus encore.

**Outil Turbo pour animaux :**

Un produit conçu expressément pour éliminer les poils d'animaux incrustés des meubles, des escaliers, des tissus de revêtement, etc.

***Les outils varient selon le numéro de modèle.

Consultez Hoover.com or Hoover.ca pour connaître les outils fournis avec les différents modèles.

Technologie Hoover^{MD} FloorSense^{MC}

L'aspirateur Hoover^{MD} REACT^{MC} avec technologie FloorSense^{MC} optimise automatiquement la performance de nettoyage sur les tapis et planchers durs.

Sur le tapis, FloorSense^{MC} augmente automatiquement la vitesse de rotation du rouleau-brosse pour déloger les saletés incrustées.

Sur les planchers durs, FloorSense^{MC} ralentit automatiquement la vitesse de rotation du rouleau-brosse pour ne pas étaler les saletés sur le plancher.



Le tableau de bord FloorSense^{MC} affiche des fonctions pratiques de votre aspirateur. Lorsque FloorSense^{MC} est actif, les témoins sur le tableau de bord clignotent pendant la détection du type de plancher.

Lorsque FloorSense^{MC} a déterminé le réglage optimal pour votre type de plancher, le voyant **CARPET (tapis)** ou **HARD FLOOR (plancher dur)** s'allume sur le tableau de bord.



Technologie Hoover^{MD} FloorSense^{MC}

		
<p>1 En mode CARPET (lors du nettoyage de tapis), FloorSense^{MC} augmente automatiquement la vitesse de rotation du rouleau-brosse pour déloger les saletés profondément incrustées.</p>	<p>2 En mode HARD FLOOR (lors du nettoyage de planchers durs), FloorSense^{MC} ralentit automatiquement la vitesse de rotation du rouleau-brosse pour ne pas étaler les saletés sur le plancher.</p>	<p>3 Le message BRUSH ROLL (rouleau-brosse) s'affiche lorsque le rouleau-brosse est obstrué ou surchargé. Reportez-vous à la section Entretien de l'appli Hoover pour savoir comment nettoyer le rouleau-brosse.</p>



Astuce - Laissez **FloorSense^{MC}** déterminer le type de plancher et optimiser la vitesse de rotation du rouleau-brosse automatiquement; placez la commande **FloorSense^{MC}** en position ON (marche).



Utilisation de l'appli Hoover

IMPORTANT : Veuillez lire toutes les instructions avant d'utiliser cet appareil. L'aspirateur Hoover^{MD} REACT^{MC} est compatible avec l'appli Hoover.

Téléchargez l'appli Hoover pour :

1. Enregistrer votre nouvel aspirateur
2. Personnaliser vos réglages **FloorSense^{MC}**
3. Recevoir des rappels d'entretien du système
4. Consulter les trucs et astuces



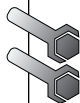
Personnaliser vos réglages FloorSense^{MC}



Système Rappels D'entretien



Consulter les trucs et astuces



Astuce - Vide doit être alimentée SUR pour vous connecter à l'appli Hoover.

Astuce - L'éclairage frontal clignote trois fois lorsque l'aspirateur se connecte à votre appareil mobile.



Apple et le logo Apple sont des marques déposées d'Apple Inc., et des marques déposées aux États-Unis et dans d'autres pays. App Store est une marque de commerce d'Apple Inc.



Android, Google Play et le logo Google Play sont des marques de commerce de Google Inc.

Utilisation de votre aspirateur vertical Hoover^{MD} REACT^{MC}

Mode vertical

1. Appuyez sur l'embout et tirez la poignée vers l'arrière.
2. Allumez l'aspirateur.
3. Laissez **FloorSense^{MC}** déterminer le type de plancher et se régler automatiquement.

⚠ MISE EN GARDE ⚠

Lorsque l'aspirateur est incliné et que le rouleau-brosse est en marche, ne laissez jamais l'aspirateur dans la même position pendant une longue période



Astuce - Pour bénéficier d'un rendement optimal, assurez-vous que la commande **FloorSense^{MC}** est en position ON (marche).

Mode Levage Portatif - Portée augmentée pour le nettoyage au-dessus du sol.

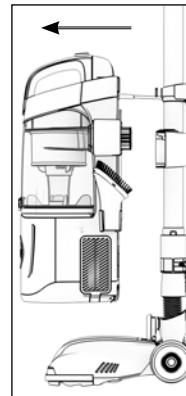
1. Détachez le boîtier du manchon de l'aspirateur en appuyant sur le **Powered ReachTM Mode**.
2. Appuyez sur le loquet de dégagement du tube ou de la poignée et tirez la poignée vers le haut.
3. Installez l'accessoire de nettoyage à l'extrémité du tube ou de la poignée.
4. Allumez l'aspirateur.

Powered ReachTM Mode - Facilite l'accès sous les meubles.

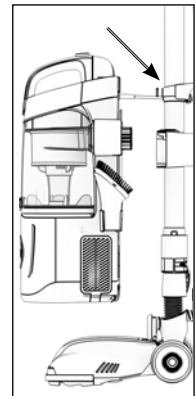
1. Détachez le boîtier du manchon de l'aspirateur en appuyant sur le **Powered ReachTM Mode**.
2. Allumez l'aspirateur.
3. Nettoyez sous les meubles à l'aide de la buse motorisée.

⚠ MISE EN GARDE ⚠

Redoublez de prudence lorsque vous utilisez l'appareil dans un escalier. Pour éviter tout dommage ou blessure et empêcher l'appareil de tomber, placez toujours ce dernier au bas des escaliers ou sur le plancher. Ne placez pas l'appareil sur les marches d'un escalier ou sur un meuble, car cela peut entraîner des dommages ou des blessures. Lorsque vous utilisez des accessoires, assurez-vous que la poignée est toujours en position verticale.



Détacher le boîtier



Dégagement du tube ou de la poignée
(Entre Tasse de saleté et baguette)

Entretien

Toute autre tâche d'entretien doit être confiée à un représentant de service autorisé. Cessez d'utiliser l'appareil s'il ne fonctionne pas comme prévu, s'il a été échappé sur le sol ou dans l'eau, s'il est endommagé ou s'il a été laissé à l'extérieur et apportez-le au centre de réparations.

Un contrôle d'entretien régulier de votre aspirateur **Hoover^{MD} REACT^{MC}** vous garantira une aspiration et un rendement optimaux. Reportez-vous au présent manuel ou à **l'appli Hoover** pour savoir comment entretenir votre aspirateur.

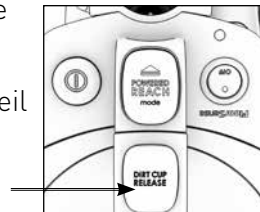
Remarque : Votre appareil est équipé d'un Rupteur Thermique interne afin de le protéger contre la surchauffe. L'appareil cessera de fonctionner si ce Rupteur Thermique s'active. Voici ce qu'il faut faire lorsque ceci survient :

1. ÉTEIGNEZ l'appareil et débranchez-le de la prise de courant.
2. Videz le vide-poussière.
3. Inspectez l'orifice de la buse, le connecteur, le tuyau, l'orifice du vide-poussière, les filtres cyclonique, les filtres lavable et les filtres HEPA afin de détecter toute obstruction. Dégagez les obstructions le cas échéant.
4. Le Rupteur Thermique se réinitialisera après que l'appareil a été débranché et que le moteur a refroidi pendant 30 minutes; vous pourrez à ce moment

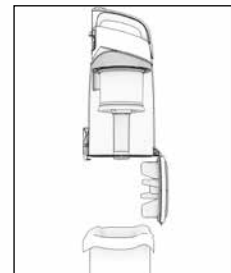
Si le Rupteur Thermique se réactive constamment au terme des étapes ci-dessus, votre appareil doit être réparé. Reportez-vous à la section Garantie du manuel de l'utilisateur pour connaître les dispositions d'entretien et de réparation.

Vidange du vide-poussière :

1. Retirez le vide-poussière en appuyant sur son bouton de dégagement.
2. Maintenez le vide-poussière au-dessus d'une poubelle et appuyez sur le loquet du panneau du vide-poussière pour le vider.



Dégagement du
Vide-poussière



Godet à Pous-
sière Vide



Astuce - Videz le vide-poussière après chaque utilisation pour conserver un rendement optimal.



AVERTISSEMENT



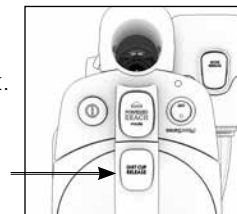
Débranchez l'appareil avant de le nettoyer ou d'en effectuer l'entretien afin de réduire le risque de blessures.

Entretien

Nettoyage des filtres :

Filtres lavable

1. Retirez le vide-poussière en appuyant sur son bouton de dégagement.
2. Accédez au filtre lavable situé sous le vide-poussière.
3. Pour le retirer, tirez sur la languette fournie.
4. Rincez à l'eau courante jusqu'à ce que toute la poussière soit éliminée du filtre.
5. Laissez votre filtre sécher pendant 24 heures avant de le remettre dans l'aspirateur.



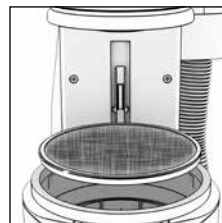
Dégagement du Vide-poussière

 **Astuce** - Remplacez votre filtre lorsqu'il est fortement décoloré.

Filtres HEPA

Les produits **Hoover^{MD} REACT^{MC}** sont dotés de deux filtres HEPA. Reportez-vous à la section Apprivoiser votre aspirateur vertical **Hoover^{MD} REACT^{MC} Powered Reach^{MC} Lite** pour savoir où ils sont situés.

1. Repérez les filtres HEPA de chaque côté de l'aspirateur, sous le vide-poussière.
2. Dévissez le couvercle d'évent situé au bas du boîtier pour accéder aux filtres.
3. Retirez les filtres et frappez-les sur la paroi d'une poubelle pour éliminer le surplus de saletés.

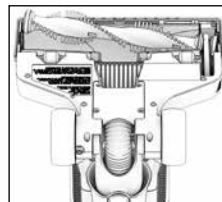


Retirez le Filtre


 **Astuce** - **NE RINCEZ PAS LES FILTRES HEPA.** Remplacez les filtres lorsqu'ils sont fortement décolorés. N'utilisez pas l'aspirateur sans l'un de ses filtres.

Nettoyage et entretien du rouleau-brosse :

1. Pour accéder au rouleau-brosse, dévissez le protecteur de la buse.
2. Retirez le rouleau-brosse en tirant dessus vers le haut et en le dégageant de la courroie de l'aspirateur.
3. Retirez tout amas de poils ou obstruction.
4. Replacez le rouleau-brosse et le protecteur de la buse.



Nettoyez la Brosse

 **Astuce** - Faites tourner le rouleau-brosse manuellement afin de vous assurer que la courroie est bien installée. L'aspirateur est doté d'un système d'arrêt automatisé du rouleau-brosse en cas de surcharge ou de blocage. Vérifiez s'il y a des obstructions dans la zone du rouleau-brosse et retirez-les. Lorsque les obstructions sont dégagées, reprenez le travail normalement.

LUBRIFICATION : Le moteur et le rouleau-brosse sont équipés de roulements suffisamment lubrifiés pour toute la durée de vie de l'appareil. L'ajout de lubrifiant pourrait causer des dommages. N'ajoutez pas de lubrifiant au moteur ni au rouleau de brosses.



AVERTISSEMENT

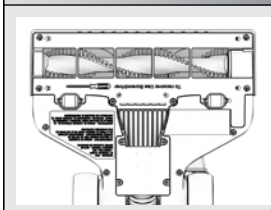
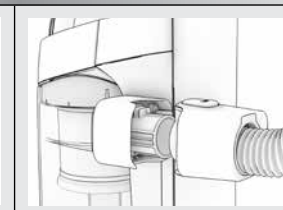
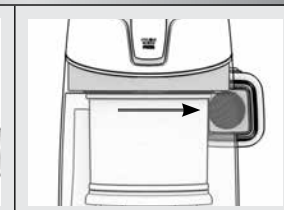

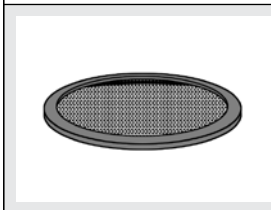
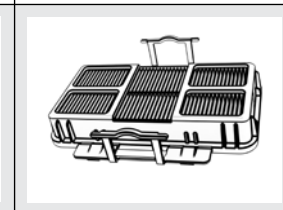
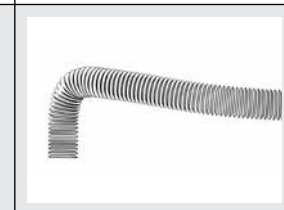
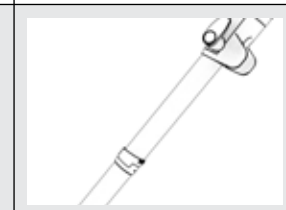
Débranchez l'appareil avant de le nettoyer ou l'entretien afin de réduire le risque de blessures présenté par les pièces en mouvement.

Entretien

Éliminer les obstructions du système

Si votre aspirateur perd de sa puissance d'aspiration, vérifiez qu'il n'est pas obstrué. Sinon, retirez les obstructions.

Vérifiez s'il y a des obstructions dans les endroits indiqués ci-dessous.

			
1 Admission de la buse	2 Raccord du tuyau	3 Admission du vide-poussière	4 Filtre cyclonique
			
5 Filtres lavable	6 Filtres HEPA	7 Tuyau	8 Tube

Guide de dépannage

Toute autre tâche d'entretien doit être confiée à un représentant de service autorisé. Cessez d'utiliser l'appareil s'il ne fonctionne pas comme prévu, s'il a été échappé sur le sol ou dans l'eau, s'il est endommagé ou s'il a été laissé à l'extérieur et apportez-le au centre de réparations.

L'aspirateur ne s'allume pas.

Veillez à toujours le brancher fermement et correctement. Un Rupteur Thermique s'est activé - débranchez l'aspirateur et laissez-le refroidir pendant 30 minutes. Si cela ne fonctionne pas, il est possible que la prise murale ne soit pas alimentée. Vérifiez les fusibles ou les disjoncteurs du domicile. Si un fusible est grillé ou si un disjoncteur est déclenché, remplacez le fusible ou enclenchez le disjoncteur du domicile.

Mon aspirateur est difficile à pousser.

Ouvrez le robinet de débit d'aspiration situé près de la poignée en le faisant glisser vers le haut.

Mon aspirateur perd de sa puissance d'aspiration.

Veillez à vider le vide-poussière s'il est plein. Le filtre de votre aspirateur est peut-être obstrué. Votre filtre doit être rincé toutes les quatre à six utilisations. Reportez-vous à la section Entretien de l'appli Hoover pour savoir comment nettoyer vos filtres. Si le problème persiste, il se peut qu'il y ait une obstruction dans le système. Reportez-vous à la section Entretien du manuel de l'utilisateur pour savoir comment retirer les obstructions.

Mon rouleau-brosse ne tourne pas ou le tableau de bord FloorSense^{MC} n'affiche pas la bonne surface.

1. Débranchez l'aspirateur et retirez tout amas de poils ou obstruction autour du rouleau-brosse si **FloorSense^{MC}** affiche « HARD FLOOR » (plancher dur) alors qu'il s'agit de tapis.
2. Nettoyez les filtres. Reportez-vous à la section Entretien de **l'appli Hoover** pour savoir comment nettoyer les filtres.
3. Vérifiez s'il y a des obstructions dans le système. Reportez-vous à la section Entretien de **l'appli Hoover** pour savoir comment enlever les sabots.
4. Reprenez le travail normalement et **FloorSense^{MC}** se réinitialisera.

Je ne suis pas capable de connecter mon aspirateur à l'appli Hoover.

L'aspirateur doit être en marche pour se connecter à **l'appli Hoover**.

Pour d'autres éléments de dépannage ou questions fréquemment posées, téléphonez au : +1 877 839-2046 ou visitez le Hoover.com ou Hoover.ca si vous avez des questions.

Entretien et garantie

ENTRETIEN ET GARANTIE DE L'ASPIRATEUR REACT^{MC} POWERED REACH^{MC} LITE DE HOOVER^{MD}

RENSEIGNEMENTS RELATIFS À L'ENTRETIEN Appelez au +1 877 839-2046 (É.-U. et Canada)

Si vous avez besoin de plus d'aide, visitez un centre de service autorisé. Trouvez le centre le plus près de chez vous en visitant notre site Web à www.Hoover.com or Hoover.ca. Les frais de transport à destination et en provenance de l'emplacement de réparation sont payés par le propriétaire. Indiquez toujours le numéro de modèle et le code de fabrication de votre produit lorsque vous demandez des renseignements ou que vous commandez des pièces de rechange. (Le numéro de modèle et le code du fabricant de l'aspirateur sont indiqués sur le bas du boîtier.)

GARANTIE LIMITÉE DE CINQ ANS (USAGE DOMESTIQUE)

COUVERTURE DE LA GARANTIE

Lorsqu'ils sont utilisés et entretenus dans des conditions normales d'utilisation et d'entretien domestiques, comme il est stipulé dans le guide de l'utilisateur, votre produit HOOVER^{MD} est garanti contre les défauts de fabrication et de main-d'œuvre pendant une période de cinq (5) ans à partir de la date d'achat (ci-après la « Période de garantie »). Pendant la période de garantie, Hoover fournira la main-d'œuvre et les pièces gratuitement afin de corriger une telle défectuosité pour les produits achetés aux États-Unis dans les boutiques d'échanges militaires américaines et au Canada.

RÉCLAMATION AU TITRE DE LA GARANTIE

Si le produit n'est pas conforme à ce qui a été garanti, apportez ou envoyez le produit à un centre de vente et de service Hoover^{MD} ou chez un fournisseur autorisé de service sous garantie Hoover^{MD} avec une preuve d'achat. Pour obtenir la liste des points de service autorisés aux É.-U., composez le numéro du service automatisé au +1 877 839-2046 ou visitez Hoover^{MD} en ligne au www.Hoover.com or Hoover.ca. Pour obtenir du soutien ou d'autres renseignements au sujet de la garantie ou pour connaître les boutiques offrant les réparations au titre de la garantie, appelez le Centre de réponses à la clientèle Hoover^{MD} au numéro +1 877 839-2046, du lundi au vendredi, de 8 h à 19 h, EST. Au Canada, communiquez avec Hoover^{MD} Canada, édifice Carson, 100, rue Carson, Etobicoke (Ontario), M8W 3R9. Téléphone : +1 877 839-2046, entre 8 h et 19 h [HNE] du lundi au vendredi.

ÉLÉMENTS NON COUVERTS PAR LA GARANTIE

Cette garantie ne couvre pas : l'utilisation du produit à des fins commerciales (comme par les femmes de chambre, les concierges et les services de location d'équipement), le filtre, le rouleau-brosse, la courroie, un entretien inadéquat du produit, les bris causés par la mauvaise utilisation, les cas fortuits, les catastrophes naturelles, le vandalisme et autres actes hors du contrôle de Hoover^{MD}, les agissements ou omissions du propriétaire, l'utilisation à l'extérieur du pays d'achat d'origine et les ventes ou transferts du produit par le premier acheteur. La présente garantie ne couvre pas le ramassage, la livraison, le transport, ni les réparations à domicile. Toutefois, si vous envoyez votre produit par courrier à un centre de vente et de service Hoover^{MD} pour une réparation sous garantie, les frais de livraison de retour seront payés.

Cette garantie ne couvre pas les produits achetés à l'extérieur des États-Unis, y compris ses territoires et possessions, hors des boutiques d'échanges militaires et à l'extérieur du Canada. Cette garantie ne couvre pas les produits achetés à une partie n'étant pas un détaillant, un concessionnaire ou un distributeur autorisé des produits Hoover^{MD}.

AUTRES CONDITIONS IMPORTANTES

La présente garantie n'est pas transférable et ne peut pas être cédée. La présente garantie sera régie et interprétée selon les lois de l'État de l'Ohio. La période de garantie ne sera pas prolongée après tout remplacement ou toute réparation au titre de la présente garantie.

CETTE GARANTIE EST VOTRE UNIQUE RECOURS ET VOIE DE DROIT FOURNIS PAR HOOVER^{MD}. TOUTES AUTRES GARANTIES, EXPRESSES OU TACITES, Y COMPRIS LES GARANTIES DE QUALITÉ MARCHANDE OU D'ADAPTATION À UN USAGE PARTICULIER, SONT DÉCLINÉES. HOOVER NE POURRA EN AUCUN CAS ÊTRE TENUE RESPONSABLE DE DOMMAGES-INTÉRÊTS SPÉCIAUX OU DOMMAGES INDIRECTS, ACCESSOIRES OU CONSÉCUTIFS DE QUELQUE NATURE QUE CE SOIT, SUBIS PAR LE PROPRIÉTAIRE DU PRODUIT OU PAR TOUTE PARTIE RÉCLAMANT PAR L'INTERMÉDIAIRE DU PROPRIÉTAIRE, QU'ILS RELÈVENT DU DROIT DES CONTRATS, DE LA NÉGLIGENCE, DE LA RESPONSABILITÉ CIVILE DÉLICTEUELLE OU DE LA RESPONSABILITÉ STRICTE DU FAIT DES PRODUITS, OU QU'ILS DÉCOULENT DE QUELQUE CAUSE QUE CE SOIT.

Certains États ne permettent pas l'exclusion des dommages consécutifs. Par conséquent, l'exclusion précédente pourrait ne pas être applicable dans votre cas. La présente garantie vous donne des droits précis. Vous pouvez également avoir d'autres droits, lesquels varient d'une province à l'autre.

Contenido

Instrucciones de seguridad importantes	35
Ensamblaje	37
Controles del usuario	37
Conozca su aspiradora vertical REACT™ de Hoover®	
Powered Reach™ Lite	38
Herramientas y accesorios disponibles	39
Tecnología FloorSense™ de Hoover®	40
Uso de la aplicación Hoover	42
Uso de la aspiradora vertical REACT™ de Hoover® Powered	
Reach™ Lite	43
Mantenimiento	44
Resolución de problemas.	47
Información de la garantía.	48

Este manual es para modelos UH73400 & UH73400CA.



REACT™

**Bienvenido a la propiedad de Hoover.
Hágalo oficial.**

Compatible con la aplicación Hoover.

Descargue la aplicación **Hoover** para registrar su nueva aspiradora, personalizar los ajustes de **FloorSense™**, recibir recordatorios de mantenimiento del sistema y acceder a sugerencias y trucos.



Apple y los logotipos de Apple son marcas comerciales de Apple, Inc., registradas en EE. UU. y en otros países. App Store es una marca de servicio de Apple Inc.



Android, Google Play y el logotipo de Google Play son marcas comerciales de Google Inc.

También puede registrarse:
Llamando al: 1-877-839-2046
Visitando: Hoover.com or Hoover.ca

Tiene garantía.
Consulte la Garantía para conocer
los detalles completos.

Instrucciones de seguridad importantes

CONSERVE ESTAS INSTRUCCIONES.

IMPORTANTE: LEA ESTE MANUAL CON ATENCIÓN ANTES DE ENSAMBLAR Y USAR ESTE APARATO. ESTE PRODUCTO TIENE COMO FIN UN USO DOMÉSTICO ÚNICAMENTE. SI SE LO UTILIZA CON FINES COMERCIALE LA GARANTÍA QUEDARÁ ANULADA.

Cuando se utilizan aparatos eléctricos, se deben seguir siempre precauciones básicas, incluidas las siguientes:

ADVERTENCIA: PARA DISMINUIR EL RIESGO DE INCENDIO, DESCARGA ELÉCTRICA, DAÑOS O LESIONES, RESPETE LAS SIGUIENTES MEDIDAS:

- Arme la unidad por completo antes de ponerla en funcionamiento.
- Hágala funcionar únicamente con el voltaje especificado en la etiqueta de datos que se encuentra en la base del contenedor de la aspiradora.
- No descuide el aparato cuando esté enchufado. Desenchufe el aparato del tomacorriente cuando no esté en uso y antes de limpiarlo o el mantenimiento.
- No utilice la aspiradora en exteriores o en superficies mojadas.
- Evite que se lo utilice como un juguete. Los niños de 12 años o menos no deben utilizar la unidad. Cuando se la utilice cerca de niños, será necesario hacerlo bajo una estricta supervisión. Para evitar lesiones o daños, mantenga a los niños lejos del producto y no permita que introduzcan los dedos u otros objetos en ninguna de las aberturas.
- Utilice la unidad únicamente según el uso descrito en este manual. Utilice solo los accesorios y productos recomendados por el fabricante.
- No lo utilice si el cable o el enchufe se encuentran dañados. Si el aparato no funciona como debe, si se ha caído, dañado o dejado a la intemperie, o si se ha sumergido en agua, llévelo a un centro técnico antes de continuar usándolo.
- No tire del aparato ni lo transporte tomándolo por el cable, no use el cable como una manija, no cierre una puerta sobre el cable ni lo enrolle alrededor de bordes o esquinas filosas. No apoye el producto sobre el cable. No pase el aparato por encima del cable. Mantenga el cable lejos de las superficies calientes.
- No lo desenchufe tirando del cable. Para desenchufarlo, agarre el enchufe, no el cable.
- No manipule el enchufe ni el aparato con las manos mojadas.
- No coloque ningún objeto en las aberturas. No utilice la unidad si alguna de sus aberturas se encuentra bloqueada. Manténgalas libres de polvo, pelusas, cabello y cualquier otro elemento que pueda disminuir el flujo de aire.
- Evite que el cabello, la ropa suelta, los dedos y cualquier otra parte del cuerpo entren en contacto con las aberturas y las piezas móviles de la unidad.
- Apague todos los controles antes de desenchufarla.
- Extreme las precauciones cuando limpie en escaleras. Para evitar lesiones o daños físicos, y a fin de evitar que la aspiradora se caiga, siempre coloque la aspiradora al pie de las escaleras o sobre el suelo. No coloque la aspiradora sobre las escaleras o sobre un mueble, ya que esto puede producir lesiones o daños. Cuando use herramientas, asegúrese siempre de que el mango esté en posición vertical.
- No utilice la unidad para aspirar líquidos combustibles o inflamables, tales como gasolina o restos de madera lijada, ni la utilice en áreas en las que dichas sustancias puedan estar presentes.
- No aspire nada que se encuentre en combustión o emita humo, como cigarrillos, fósforos o cenizas calientes.

- Desenchufe el aparato antes de conectar la Herramienta Turbo alimentada por aire.
- No utilice la unidad si esta no tiene colocados la copa de recolección de residuos o los filtros.
- Siempre apague este aparato antes de conectar o desconectar la manguera o la boquilla motorizada.
- La manguera contiene cables eléctricos. Evite aspirar objetos filosos. Si la manguera parece estar dañada, perforada o los cables están expuestos, desenchufe la unidad y deje de usarla. No intente reparar la manguera, llévela a un centro técnico autorizado para su reparación [disponible solo en algunos modelos].

ADVERTENCIA: Para reducir el riesgo de incendio y choque eléctrico, debe utilizarse la Hoover Powered Stair Tool número de pieza 440010888.

ADVERTENCIA: Este producto contiene químicos reconocidos por el estado de California como causantes de cáncer, defectos de nacimiento u otros daños reproductivos. LÁVESE LAS MANOS LUEGO DE MANIPULARLO.

PRECAUCIÓN: PARA DISMINUIR EL RIESGO DE DAÑOS:

- Evite aspirar objetos duros y filosos con este producto, ya que pueden dañarlo. Almacene apropiadamente en interiores, en un lugar seco. No exponga la máquina a temperaturas bajo cero.
- No utilice objetos filosos para limpiar la manguera, ya que pueden dañar la unidad.
- Cuando el cepillo giratorio esté encendido, no permita que la aspiradora se asiente en una ubicación durante un período extendido de tiempo, ya que esto puede dañar el piso.

ADVERTENCIA: PARA REDUCIR EL RIESGO DE DESCARGA ELÉCTRICA, ESTE APARATO TIENE UN ENCHUFE POLARIZADO (UNA CLAVIJA ES MÁS ANCHA QUE LA OTRA). ESTE ENCHUFE ENCAJA EN UN TOMACORRIENTE POLARIZADO DE UNA SOLA MANERA. SI NO ENCAJA POR COMPLETO EN EL TOMACORRIENTE, INVierta EL ENCHUFE. SI AÚN NO ENCAJA, COMUNÍQUESE CON UN ELECTRICISTA CALIFICADO PARA INSTALAR EL TOMACORRIENTE ADECUADO. REALICE NINGÚN TIPO DE MODIFICACIÓN EN EL ENCHUFE.

Este equipo se ha probado y se determinó que cumple con los límites para dispositivos digitales Clase B, conforme a la sección 15 de las Normas FCC. Estas condiciones tienen por objeto ofrecer una protección razonable contra interferencias perjudiciales en residencias. Este equipo genera, utiliza y puede irradiar energía de radiofrecuencia y, si no se instala y se utiliza de acuerdo con las instrucciones suministradas, podría ocasionar interferencias perjudiciales para las comunicaciones por radio. No obstante, no se puede garantizar que no se vaya a producir este tipo de interferencias en una instalación en particular. Si este equipo ocasiona interferencias perjudiciales en la recepción de radio o televisión, lo que puede comprobarse encendiendo y apagando el equipo, se recomienda que intente corregir la interferencia mediante una de las siguientes acciones:

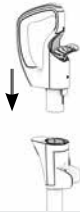

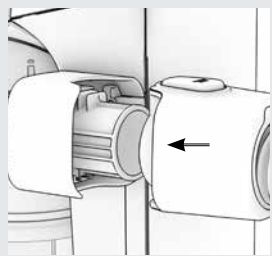
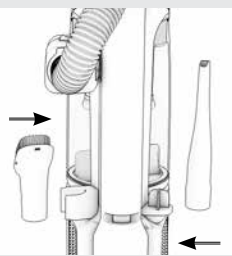
- Reoriente o reubique la antena receptora.
- Aumente la separación entre el equipo y el receptor.
- Conecte el equipo a un tomacorriente de un circuito distinto al cual está conectado el receptor.
- Consulte con su distribuidor o con un técnico experto de radio y televisión.

Según las normas de Industria de Canadá, este transmisor de radio solo puede funcionar usando una antena de un tipo y de una ganancia máxima (o menor) aprobada para el transmisor por Industria de Canadá. Para reducir el potencial de interferencia de radio a otros usuarios, el tipo de antena y su ganancia deben ser elegidos de tal forma que la potencia radiada equivalente (e.i.r.p.) no sea más que la permitida para una comunicación exitosa.

Contiene módulo transmisor IC: 12246A-BM77SPPSYC2

Este dispositivo cumple con las normas RSS de Industria de Canadá exentas de licencia. El funcionamiento está sujeto a las dos siguientes condiciones: (1) este dispositivo puede no causar interferencia, y (2) este dispositivo debe aceptar cualquier interferencia, incluso interferencia que pueda causar el funcionamiento no deseado del dispositivo.

Ensamblaje

			
<p>1 Inserte el mango en la varilla hasta que encastre en su lugar.</p>	<p>2 Inserte la varilla en el lomo hasta que encastre en su lugar.</p>	<p>3 Inserte la manguera en el recipiente hasta que encaje en su lugar.</p>	<p>4 Incorpore las herramientas.</p>




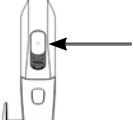


Sugerencia - Asegúrese de que todas las piezas encastran en su lugar.

Sugerencia - Enrolle el cable en los ganchos para un almacenamiento sin inconvenientes. Sujete el extremo del enchufe al cable.

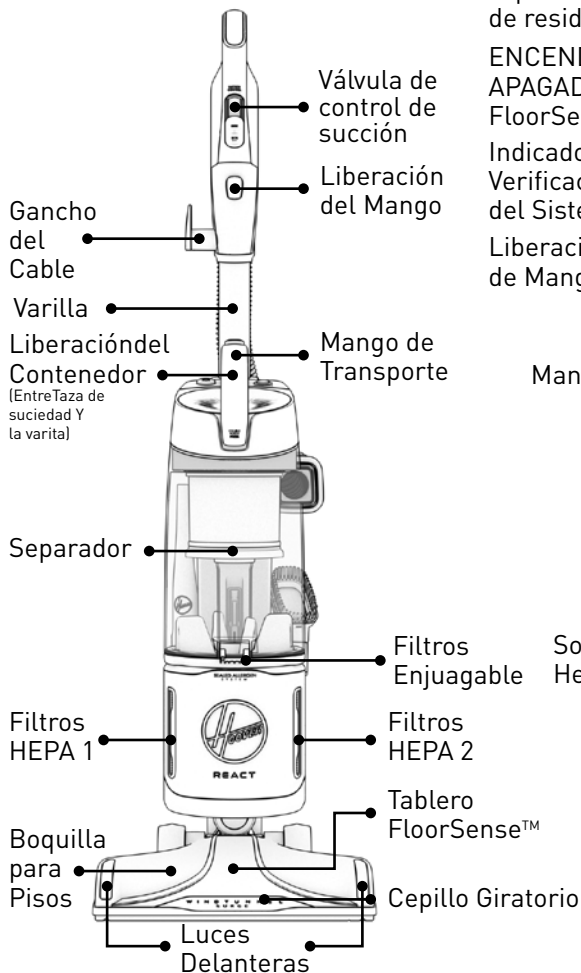
Sugerencia - Para desenrollar el cable rápidamente, gire los ganchos para el cable 180 grados.

Controles del usuario

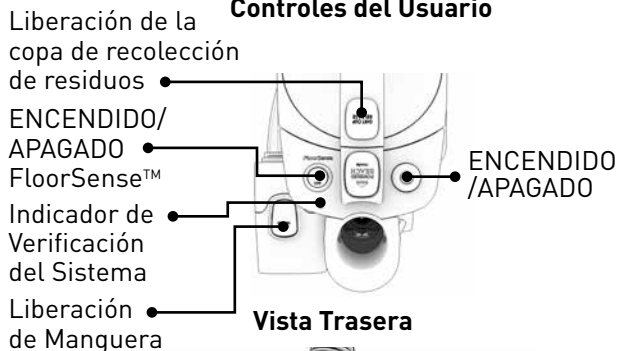
			
<p>1 Encienda/Apague la unidad.*</p>	<p>2 Encienda/Apague FloorSense™.*</p>	<p>3 Indicador de Verificación del Sistema.* Consulte la sección Mantenimiento de la aplicación Hoover para obtener instrucciones sobre cómo eliminar obstrucciones.</p>	<p>4 Válvula de control de succión.* Si no puede empujar la aspiradora, abra la válvula de control de succión en el mango. *Consulte la página 38 para conocer la ubicación de las funciones</p>

Conozca su aspiradora vertical REACT™ de Hoover®

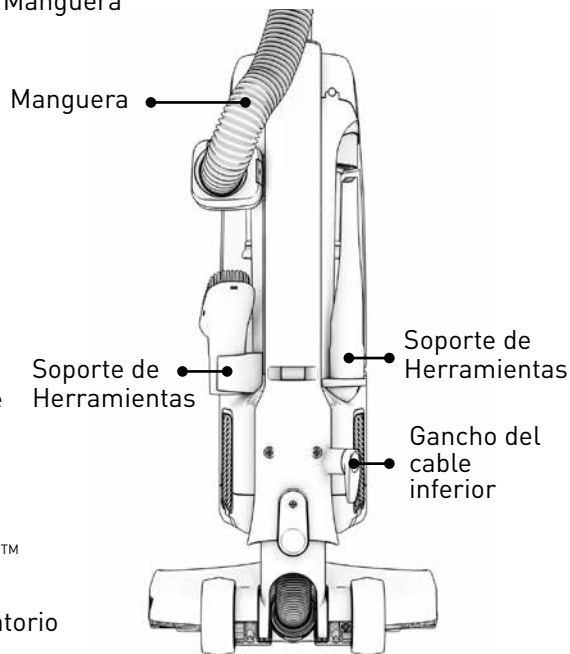
Vista Frontal



Controles del Usuario



Vista Trasera



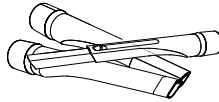
**PRECAUCIÓN**

La aspiradora no debe utilizarse para limpiar mascotas.

Available Tools and Accessories***

Herramienta para limpieza en rincones:

Ideal para limpiar en espacios pequeños y esquinas de difícil acceso.

**Herramienta para limpieza en rincones de lujo:**

La punta de caucho protege los muebles cuando se limpian espacios pequeños.

Herramienta para limpieza en rincones XL:

Punta flexible extra larga que llega a espacios difíciles de limpiar.

Cepillo quitapolvo:

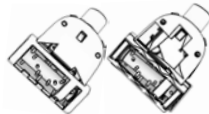
Delicadas cerdas que limpian el polvo fino lentamente.

**Cepillo quitapolvo flexible:**

Aspira en superficies de difícil acceso, como aspas de ventiladores y persianas.

Herramienta Turbo:

Limpia fácilmente muebles, escaleras, tapizados y mucho más.

**Herramienta Turbo para pelos de animales:**

Diseñada exclusivamente para eliminar pelos de animales aferrados a muebles, escaleras, tapizados y más.

***Las herramientas varían según el número de modelo. Consulte Hoover.com or Hoover.ca para ver las herramientas incluidas en cada modelo.

Tecnología FloorSense™ de Hoover®

REACT™ de Hoover® con tecnología **FloorSense™** optimiza automáticamente el rendimiento de limpieza sobre alfombras y pisos duros.

En alfombras, **FloorSense™** aumenta automáticamente la velocidad del cepillo giratorio para extraer la suciedad profundamente incrustada.



En pisos duros, **FloorSense™** disminuye automáticamente la velocidad del cepillo giratorio para no desparramar la suciedad en el piso.



El tablero **FloorSense™** muestra las funciones útiles de la aspiradora. Cuando **FloorSense™** está activo, las luces del tablero parpadearán al detectar el tipo de piso.

Una vez que **FloorSense™** determine el ajuste óptimo para su tipo de piso, verá las palabras **CARPET (Alfombra)** o **HARD FLOOR (Piso duro)** iluminadas en el tablero.



Tecnología FloorSense™ de Hoover®

		
<p>1 Cuando limpia ALFOMBRAS, FloorSense™ automáticamente aumenta la velocidad del cepillo giratorio para extraer suciedad profundamente incrustada.</p>	<p>2 En PISOS DUROS, FloorSense™ automáticamente disminuye la velocidad del cepillo giratorio para no desparramar la suciedad en el piso.</p>	<p>3 Aparecerá BRUSH ROLL (Cepillo giratorio) cuando el cepillo giratorio esté atascado o sobrecargado. Consulte la sección Mantenimiento o la aplicación Hoover para obtener instrucciones sobre cómo limpiar el cepillo giratorio.</p>



Sugerencia - Deje que FloorSense™ determine el tipo de piso y optimice la velocidad del cepillo giratorio automáticamente y asegúrese de que el control FloorSense™ esté en la posición de ENCENDIDO.



Uso de la aplicación Hoover

IMPORTANTE: Lea todas las instrucciones antes de usar este aparato.

REACT™ de Hoover® es compatible con la aplicación Hoover.

Descargue la **aplicación Hoover** para:

1. Registrar su nueva aspiradora
2. Personalizar los ajustes de **FloorSense™**
3. Recibir recordatorios de mantenimiento del sistema
4. Acceder a sugerencias y trucos



Personalizar los Ajustes de FloorSense™



Recordatorios de Mantenimiento del Sistema



Acceder a Sugerencias y Trucos



Sugerencia - Vacío debe ser alimentado EN conectarse a la **aplicación Hoover**.

Sugerencia - Las luces delanteras parpadearán tres veces cuando la aspiradora se conecte de su dispositivo móvil.



Apple y los logotipos de Apple son marcas comerciales de Apple, Inc., registradas en EE. UU. y en otros países. App Store es una marca de servicio de Apple Inc.

Android, Google Play y el logotipo de Google Play son marcas comerciales de Google Inc.

Uso de la aspiradora vertical REACT™ de Hoover®

Modo vertical

1. Pise la boquilla y tire el mango hacia atrás.
2. Encienda la aspiradora.
3. Deje que **FloorSense™** determine el tipo de piso y ajuste las configuraciones automáticamente.

⚠ PRECAUCIÓN ⚠

Cuando la aspiradora está reclinada con el cepillo giratorio encendido, no deje nunca la aspiradora en una sola posición durante un período prolongado de tiempo.



Sugerencia - Para obtener un rendimiento óptimo, asegúrese de que el control **FloorSense™** esté en la posición de encendido.

Modo de elevación portátil - para alcance extendido sobre el piso.

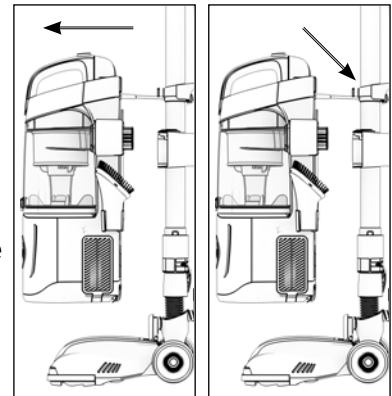
1. Desconecte el contenedor del lomo de la aspiradora presionando el **Powered Reach™ Mode**.
2. Presione la liberación de la varilla o el mango y tire del mango hacia arriba.
3. Conecte el accesorio de limpieza al extremo de la varilla o del mango.
4. Encienda la aspiradora.

Powered Reach™ Mode - para alcance extendido debajo de muebles.

1. Desconecte el contenedor del lomo de la aspiradora presionando el **Powered Reach™ Mode**.
2. Encienda la aspiradora.
3. Limpie debajo de muebles con la boquilla mecánica.

⚠ PRECAUCIÓN ⚠

Extreme las precauciones cuando limpie en escaleras. Para evitar lesiones o daños físicos, y a fin de evitar que la aspiradora se caiga, colóquela siempre al pie de las escaleras o sobre el suelo. No coloque la aspiradora sobre las escaleras ni sobre un mueble, ya que pueden generarse lesiones o daños. Cuando utilice las herramientas accesorias, siempre asegúrese de que el mango se encuentre en posición vertical.



Desconecte el contenedor

Liberación de la varilla o el mango
(Entre Taza de suciedad Y la varita)

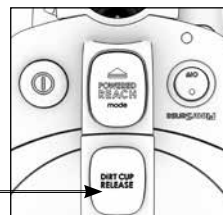
Mantenimiento

Cualquier otro mantenimiento lo debe realizar un representante de servicio autorizado. Si el aparato no funciona como debe, si se ha caído, dañado o dejado a la intemperie, o si se ha sumergido en agua, llévelo a un centro técnico antes de continuar usándolo.

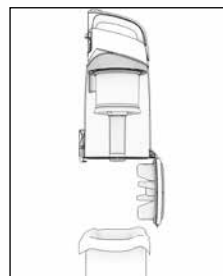
Las aspiradoras **REACT™ de Hoover®** deben someterse a verificaciones de mantenimiento periódicas para mantener un rendimiento y aspiración óptimos. Consulte este manual o su aplicación Hoover para obtener información sobre cómo mantener la aspiradora.

Aviso - Se ha colocado un Protector Térmico en la aspiradora para protegerla contra el sobrecalentamiento. Cuando dicho protector se active, la aspiradora dejará de funcionar. De ser así, proceda como se indica a continuación:

1. APAGUE la limpiadora y desenchúfela del tomacorriente.
2. Vacíe la copa de recolección de residuos.
3. Revise la entrada de la boquilla, el conector de la manguera, la manguera, la entrada de la copa de recolección de residuos, el filtros ciclónico, el filtros enjuagable y el filtros HEPA en busca de obstrucciones. Elimine las obstrucciones si están presentes.
4. Una vez que la limpiadora esté desenchufada y el motor se haya enfriado durante 30 minutos, el Protector Térmico se desactivará y usted podrá retomar la limpieza.



**Liberación de la
Copa de Recolección
de Residuos**



Recipiente Vacío

Si el Protector Térmico continúa activándose luego de haber seguido los pasos anteriores, significa que su aspiradora requiere de un servicio de mantenimiento. Consulte la sección Garantía del manual del usuario para ver la información de mantenimiento.

Vaciado de la copa de recolección de residuos:

1. Retire la copa de recolección de residuos presionando el botón de liberación de la copa de recolección de residuos.
2. Sostenga la copa de recolección de residuos sobre un contenedor de basura y presione la liberación de la puerta de la trampa de la copa de recolección de residuos para vaciarla.

Sugerencia - Vacíe la copa de recolección de residuos después de cada uso para lograr un rendimiento óptimo.



Para disminuir el riesgo de lesiones físicas, desenchufe la unidad antes de limpiarla o realizarle un servicio de mantenimiento.

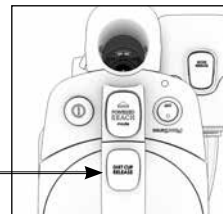
Mantenimiento

Limpieza de los filtros:

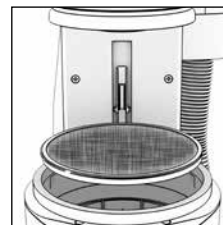
Filtros enjuagables

1. Retire la copa de recolección de residuos presionando el botón de liberación de la copa de recolección de residuos.
2. Acceda al filtro enjuagable debajo de la copa de recolección de residuos.
3. Para extraerlo, tire hacia arriba de la lengüeta provista.
4. Enjuague con agua corriente hasta retirar toda la suciedad del filtro.
5. Deje secar el filtro durante 24 horas antes de volverlo a colocar en la aspiradora.

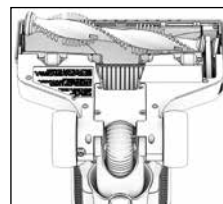
Sugerencia - Reemplace los filtros cuando estén altamente decolorados.



Liberación de la
Copa de Recolección
de Residuos



Retire el Filtro



Limpie el
Cepillo Giratorio

Filtros HEPA

Los productos **REACT™ de Hoover®** tienen 2 filtros HEPA. Consulte **Conozca su aspiradora vertical Powered Reach™ Lite REACT™ de Hoover®** para ver la ubicación.

1. Ubique los filtros HEPA a cada lado de la aspiradora debajo de la de la copa de recolección de residuos.
2. Desatornille la cubierta de ventilación ubicada en la parte inferior del contenedor para acceder a los filtros.
3. Retire los filtros y golpéelos contra la parte lateral del contenedor de basura para liberar el exceso de suciedad.

Sugerencia - **NO ENJUAGUE LOS FILTROS HEPA.** Reemplace los filtros cuando estén altamente decolorados. No utilice la aspiradora si no tiene colocados todos los filtros en su lugar.

Limpieza y mantenimiento del cepillo giratorio:

1. Para acceder al cepillo giratorio, desatornille la protección de la boquilla de la boquilla.
2. Retire el cepillo giratorio tirando de él hacia arriba y afuera de la correa de la aspiradora.
3. Retire los cabellos u obstrucciones.
4. Vuelva a colocar el cepillo giratorio y la protección de la boquilla.

Sugerencia - Gire el cepillo giratorio en forma manual para asegurarse de que la correa esté bien instalada. La aspiradora cuenta con un apagado automático del cepillo giratorio que se acciona en caso de sobrecarga o atascamiento. Verifique si hay obstrucciones en la zona del cepillo giratorio y despégelas. Una vez que elimine las obstrucciones, reanude la limpieza normalmente.

LUBRICACIÓN: El motor y el cepillo giratorio están equipados con cojinetes que contienen suficiente lubricación para toda su vida útil. Si le agrega lubricantes, esto podría dañar el motor. No agregue lubricante al motor o al cepillo.



PRECAUCIÓN

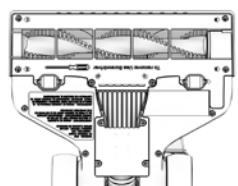
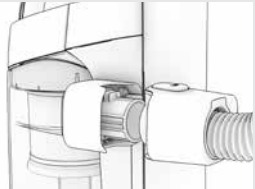
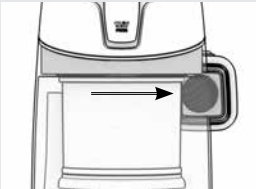
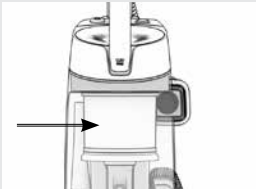

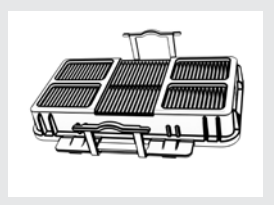
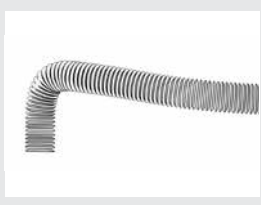
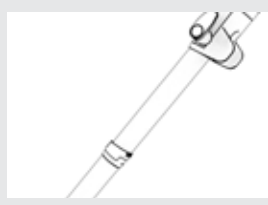
Para reducir el riesgo de lesión derivado de las piezas móviles, desconecte el aparato antes de realizarle el servicio de mantenimiento.

Mantenimiento

Extracción de obstrucciones del sistema

Si su aspiradora pierde succión, verifique y retire todas las obstrucciones.

Revise en busca de obstrucciones en las áreas resaltadas a continuación.

			
1 Entrada de la boquilla	2 Conector de la manguera	3 Entrada de la copa de recolección de residuos	4 Filtro ciclónico
			
5 Filtros enjuagable	6 Filtros HEPA	7 Tuyau	8 Varilla

Guía de resolución de problemas

Cualquier otro mantenimiento lo debe realizar un representante de servicio autorizado. Si el aparato no funciona como debe, si se ha caído, dañado o dejado a la intemperie, o si se ha sumergido en agua, llévelo a un centro técnico antes de continuar usándolo.

La aspiradora no enciende.

Asegúrese siempre de enchufarla en forma firme. Es posible que se haya activado un Protector Térmico - desenchufe la unidad y déjela enfriar durante 30 minutos. Si esto no funciona, es posible que no haya voltaje en el enchufe de la pared. Revise el fusible o el disyuntor del hogar. Si hay un fusible quemado o un disyuntor activado, reemplace el fusible o restablezca el disyuntor del hogar.

Es difícil empujar la aspiradora.

Abra la válvula de control de succión cerca del mango deslizando la válvula hacia arriba.

La aspiradora pierde succión.

Asegúrese de vaciar la copa de recolección de residuos si está llena. Es probable que el filtro esté obstruido. El filtro debe enjuagarse cada 4 a 6 usos. Consulte la sección Mantenimiento o la aplicación Hoover para obtener instrucciones sobre cómo limpiar los filtros. Si el problema continúa, es posible que el sistema esté obstruido. Consulte Mantenimiento en el manual del usuario para obtener instrucciones sobre cómo eliminar obstrucciones.

El cepillo giratorio no gira o el tablero FloorSense™ no muestra la superficie correcta.

1. Desenchufe la unidad y extraiga los cabellos u otras obstrucciones alrededor del cepillo giratorio si **FloorSense™** muestra **"HARD FLOOR"** (Piso duro) cuando está en la alfombra.
2. Limpie los filtros. Consulte la sección Mantenimiento o la **aplicación Hoover** para obtener instrucciones sobre cómo limpiar los filtros.
3. Revise en busca de obstrucciones en el sistema. Consulte la sección Mantenimiento o la **aplicación Hoover** para obtener instrucciones sobre cómo eliminar los zuecos.
4. Reanude el funcionamiento normal y **FloorSense™** se restablecerá.

No puedo conectar la aspiradora a la aplicación Hoover.

La aspiradora debe estar ENCENDIDA para conectarse a la **aplicación Hoover**.

Para obtener más resolución de problemas o ver las preguntas y respuestas, llame al: 1-877-839-2046 o visite Hoover.com or Hoover.ca si tiene alguna pregunta.



Servicio y garantía

SERVICIO Y GARANTÍA PARA EL PRODUCTO REACT™ POWERED REACH™ LITE DE HOOVER®

INFORMACIÓN DE SERVICIO UN REPRESENTANTE llame al 1-877-839-2046 en EE. UU. y Canadá

En caso de necesitar más ayuda, diríjase a un Centro Técnico autorizado. Encuentre el más cercano en nuestro sitio web: www.Hoover.com or Hoover.ca. El propietario deberá pagar todos los costos de transporte desde y hasta cualquier lugar de reparación. Siempre identifique su producto de acuerdo al número del modelo y el código de fábrica cuando solicite información o realice el pedido de las piezas de repuesto. (el número de modelo y el código de fabricación de la aspiradora aparecen en la parte inferior del contenedor).

GARANTÍA LIMITADA DE CINCO AÑOS (PARA USO DOMÉSTICO)

COBERTURA DE LA GARANTÍA

En casos de uso y mantenimiento domésticos en condiciones normales y conforme al Manual del propietario, su producto HOOVER tiene garantía contra fallas de fábrica en los materiales y fallas por mano de obra durante cinco años desde la fecha de compra (el "Plazo de la garantía"). Durante el plazo de la garantía, Hoover le proporcionará la mano de obra y los repuestos, sin ningún costo, a los fines de reparar cualquier falla del producto adquirido en los Estados Unidos, en tiendas de intercambios militares de los EE. UU. y en Canadá.

¿CÓMO HACER UN RECLAMO DE LA GARANTÍA?

Si este producto no presentara las características garantizadas, llévelo o envíelo al Centro de ventas y servicio de Hoover o al distribuidor de servicio autorizado de garantía de Hoover más cercanos junto con el comprobante de compra. Para ser redirigido en forma automática a un Centro de servicios autorizado en los EE. UU., llame al: 1-877-839-2046 O visite Hoover en línea en: www.Hoover.com or Hoover.ca. Para obtener más ayuda o información sobre esta garantía o la disponibilidad de los Centros de servicios contemplados en la garantía, llame al Centro de respuesta al consumidor de Hoover, al 1-877-839-2046, de lunes a viernes de 8:00 a. m. a 7:00 p. m. (hora estándar del este). En Canadá, comuníquese con Hoover Canada, Carson Building, 100 Carson St., Etobicoke, Ontario M8W 3R9, teléfono: 1-877-839-2046, de lunes a viernes de 8:00 a. m. a 7:00 p. m., hora estándar del este

¿QUÉ ES LO QUE NO CUBRE ESTA GARANTÍA?

La presente garantía no cubre los siguientes supuestos: el uso del producto en operaciones comerciales (tales como servicios de contratación de equipamiento, de mantenimiento y de limpieza); el filtro, el cepillo giratorio, la correa; el mantenimiento incorrecto del producto; los daños derivados de su mal uso; casos fortuitos o hechos de la naturaleza: vandalismo u otros actos fuera del control de Hoover, actos u omisiones del propietario, su uso fuera del país de compra original y las reventas o transferencias del producto realizadas por el propietario original. Esta garantía no cubre los servicios de recolección, entrega, transporte o visitas a domicilio. Sin embargo, si envía por correo su producto al centro de servicios y ventas de Hoover para el servicio de garantía, solo se pagará el costo de envío de ida.

Esta garantía no se aplica a los productos adquiridos fuera de los Estados Unidos, incluidos sus territorios y posesiones, fuera de los intercambios militares de los EE. UU. y fuera de Canadá. Esta garantía no cubre los productos adquiridos a un tercero no autorizado como minorista, concesionario o distribuidor de los productos Hoover.

OTROS TÉRMINOS IMPORTANTES

Esta Garantía no es transferible y no podrá ser cedida. Esta Garantía se regirá e interpretará de conformidad con las leyes del estado de Ohio. El Plazo de la garantía no se prolongará por ningún reemplazo o reparación realizados conforme a esta Garantía.

ESTA GARANTÍA REPRESENTA LA GARANTÍA Y EL RECURSO LEGAL EXCLUSIVOS, PROPORCIONADOS POR HOOVER. TODAS LAS DEMÁS GARANTÍAS, EXPRESAS O IMPLÍCITAS, SERÁN RECHAZADAS, INCLUIDAS LAS GARANTÍAS DE APTITUD PARA LA COMERCIALIZACIÓN O ADECUACIÓN A FINES ESPECÍFICOS. EN NINGÚN CASO, HOOVER SERÁ RESPONSABLE POR LOS DAÑOS ESPECIALES, INDIRECTOS, INCIDENTALS O MEDIATOS DE NINGÚN TIPO QUE SUFRA EL PROPIETARIO O CUALQUIER PARTE QUE RECLAME POR INTERMEDIO DE ESTE, YA SEA CON BASE EN UN CONTRATO, POR NEGLIGENCIA, HECHO ILÍCITO CIVIL O RESPONSABILIDAD OBJETIVA, NI POR NINGUNA OTRA CAUSA.

Algunos estados no permiten la exclusión de los daños consecuentes, por lo que la exclusión anterior puede no aplicarse a usted. Esta garantía le otorga derechos específicos. También puede tener otros derechos, que varían según el estado.