



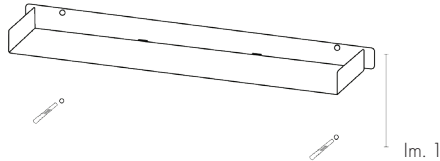
Assembly instructions | ARIS Extensions



Countersunk screws

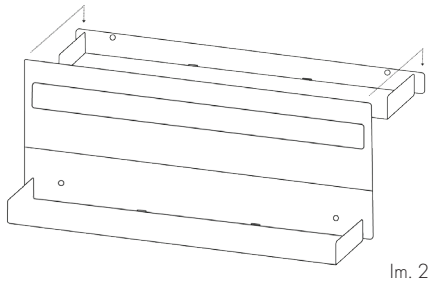


Dowels

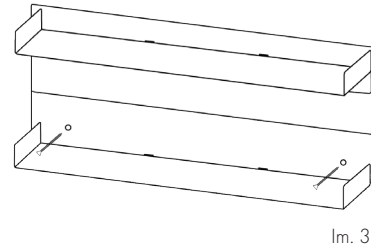


1. Mark the drill holes of the ARIS additional shelf on the wall.
Tip: Hang the additional shelf and simply mark the drill hole.
(Im. 1)

2 Drill holes in the marked positions:
At least 6 cm deep
Drill diameter: 6 mm

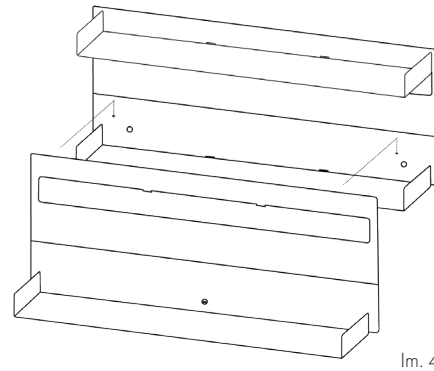


3. place the ARIS additional shelf over the basic shelf and snap it into place at the bottom.
(Im. 2)



4. Fix the ARIS additional shelf in place with the countersunk screws. (Im. 3)

Repeat steps 1 to 4 for all other additional shelves.



5. Place the ARIS end piece over the additional shelf and snap it into place at the bottom. (Im. 2)

Done! Have fun with ARIS