



Metallbude

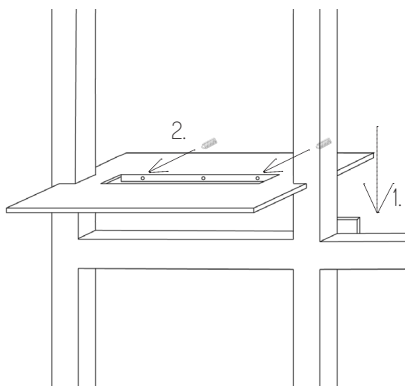


RIVO

Instructions // RIVO Accessories

Shelf RIVO

Place the wooden shelf in the desired position and fix it with the built-in magnets. Make sure that the recesses for the sockets point to the back.



RIVO X tray

Place the metal shelf in the desired position and fix it hand-tight using the threaded pins and hex wrench provided. Make sure that the predrilled hole of the tray points to the back.

Mirror RIVO

Hang the mirror in the desired place. Make sure that both metal hooks are placed correctly on RIVO.

Done! Have fun with RIVO!