



METALLBUDE
Towel Rack NALI

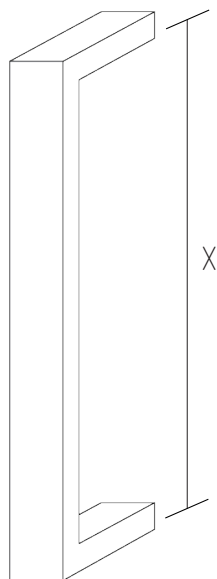
Instructions // NALI

 Countersunk screws

 Dowels

 Pan head screws

 Sockets



1. Mark the desired position of NALI on the wall.

X= height of NALI **minus 2 cm.**

2. Drill holes in the marked positions:

At least 6 cm deep

Drill diameter: 6 mm

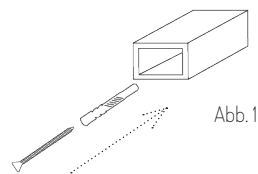


Abb. 1

3. Insert the dowel into the hole and screw the socket to the wall with the countersunk screws. (Abb. 1)

Make sure that the pre-drilled holes for fixing NALI point downwards.

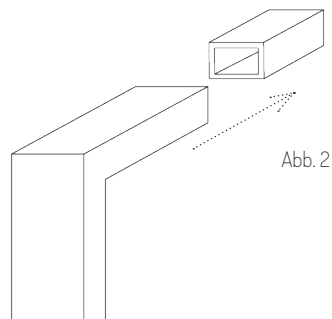


Abb. 2

Special dowels must be used for a drywall.

Our tip: Tilt dowels are best suited.

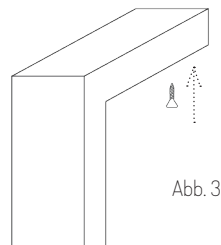


Abb. 3

4. Put NALI over the sockets and screw the pan head screws into the predrilled holes.

(Abb. 2 & 3)

Done! Have fun with NALI