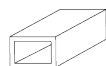




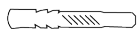
Assembly instruction | NALI



Countersunk screws



Sockets



Dowel



Grub screw



Allen key



1. Mark the desired position of NALI on the wall. X = height of NALI minus 2 cm

2. Drill holes in the marked positions:
At least 6 cm deep
Drill diameter: 6 mm

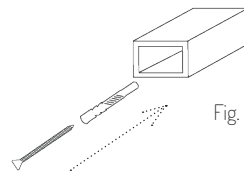


Fig. 1

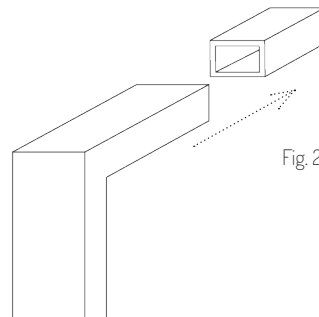


Fig. 2

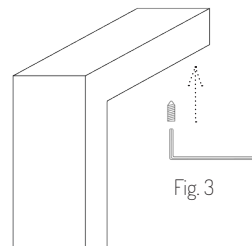


Fig. 3

3. Insert the dowel into the hole and screw the socket to the wall using the countersunk screws. (Fig. 1)

Make sure that the pre-drilled holes for fixing NALI point downwards.

Special wall dowels must be used for a plasterboard wall. Our tip: Tilt dowels are best suited.

4. place the NALI over the sleeves and screw the grub screws into the pre-drilled holes using the Allen key. (Fig. 2 & 3)

Done! Have fun with NALI