



Scan me and get to the video tutorial!



METALLBUDE
upgrade your interior!

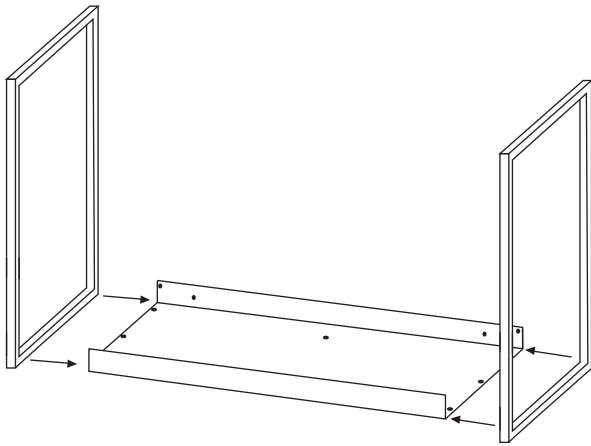


METALLBUDE

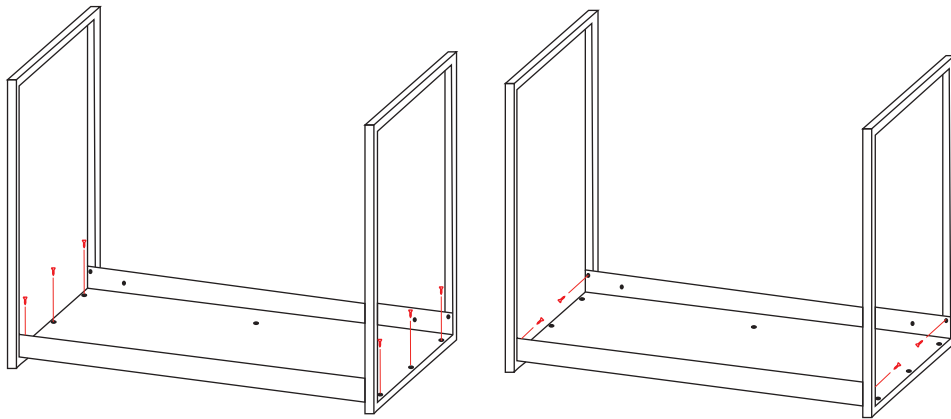
Assembly instruction | DONNA|LOVA

 10 x Schraube M5 x 8

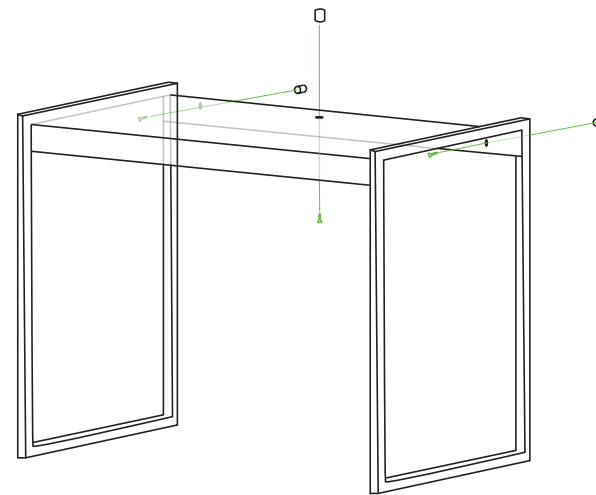
 3 x Schraube M6 x 10



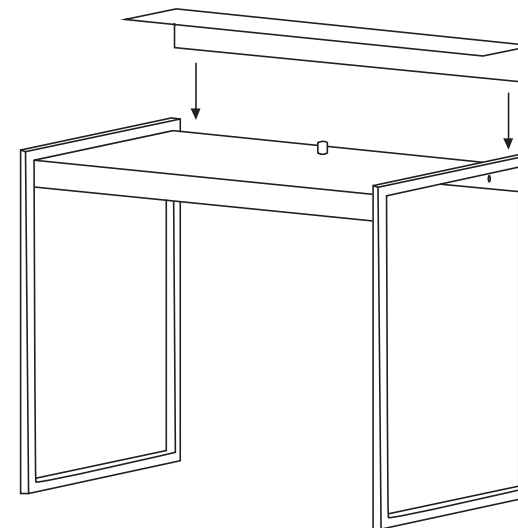
1. Set up the table legs upside down and slide the table top into them. This works best with two people.



2. Mount the table top to the legs using the smaller screws. If necessary, glue felt glides to the underside of the legs.



3. Turn the table over and fix the supplied magnets to the table top using the larger screws.



4. Finally, place the shelf on the magnets.

The LOVA coffee table and DONNA secretary are assembled according to the same principle and differ only in the height of the legs and the depth of the shelf.