

# Conversion Kit

# Instructions

---

For Door and Shower Insert Kits



**TUB KITS**  
By Safety Bath

# Table of Contents

A Note From Safety Bath	1
Warranty	2
Items Included	3
Materials Needed	3
Step-by-Step Instructions	4
Step 1) Prepare Your Area	4
Step 2) Mark Placement of Kit	4
Step 3) Cut Your Tub	6
Step 4) Prepare and Place Stiffener Boards	8
Step 5) Prepare and Apply Silicone	9
Step 6) Finishing Touches	11

# A Note From Safety Bath

Hi there!

Thank you for your purchase, we trust that you'll be happy with our product for many years. Before we begin installation, there's a few things we want to tell you.

- If you have any problems with our product like missing or damaged parts, **please call us at 1-877-826-6666**. The call is free, and we can assist you in a fast and friendly manner.
- We've included our mascot Squeaker in your kit for moral support, but Squeaker doesn't talk much so you're still better off calling us if you need anything.
- Please note that we **do not warranty the installation**, but we will be pleased to advise you on any installation problems you encounter.
- **Silicone set time is very important.** Since this Door Insert Kit relies on silicone sealant as its primary means of sealing the insert to the bathtub as well as holding the insert in place, it is imperative that the silicone sealant fully cures before anyone fills the bathtub. This can take as long as 48 hours depending on the silicone used, as well as the temperature and humidity in the bathroom.
- Installation of the Door Insert Kit is straight-forward and relatively simple; however, in order for the kit to perform properly, the steps in this manual must be carefully followed.
- **Failure to follow instructions may result in insert failure, personal injury, or property damage.**

Now you're ready to get started! Remember, if you have any questions don't hesitate to call us. Enjoy your new insert kit!

Sincerely,

Safety Bath

# Warranty

Your Safety Bath Product is warranted to be free from defects in materials and workmanship for a period of twelve (12) months from the date of retail sale to the original purchaser. This warranty will not apply to any damage or personal injury due to neglect, misuse, accident, or improper installation.

Safety Bath includes lifetime warranty on the door seal. All warranty claims must be pre-approved by Safety Bath.

## **DISCLAIMER:**

This Safety Bath Door Insert Kit is quality constructed from tough, durable components for maximum durability and to provide the end user with years of trouble-free service.

However, the installation of this product is not warrantied. Failure of this device due to improper installation techniques, inadequate or incorrect sealant, or other installation deficiency will void warranty.

Safety Bath will not be responsible for personal or property damage caused by failure of this device due to improper installation.

**For more information, please call Safety Bath at 1-877-826-6666**

# Items Included

Your kit comes with the following items:

- Door or shower insert kit
- Dual-sided template
- Warranty card
- Phenolic stiffener kit
- Hardware kit



# Materials Needed

Gather these items before starting your installation.

- Masking tape
- Pencil or erasable marker (do not use permanent marker)
- Cardboard to protect floor
- Level
- Measuring tape
- Drill
- Jigsaw (with a low tooth comb)
- Hammer
- Silicone
- Paper towel
- Vacuum
- Silicone finishing tool

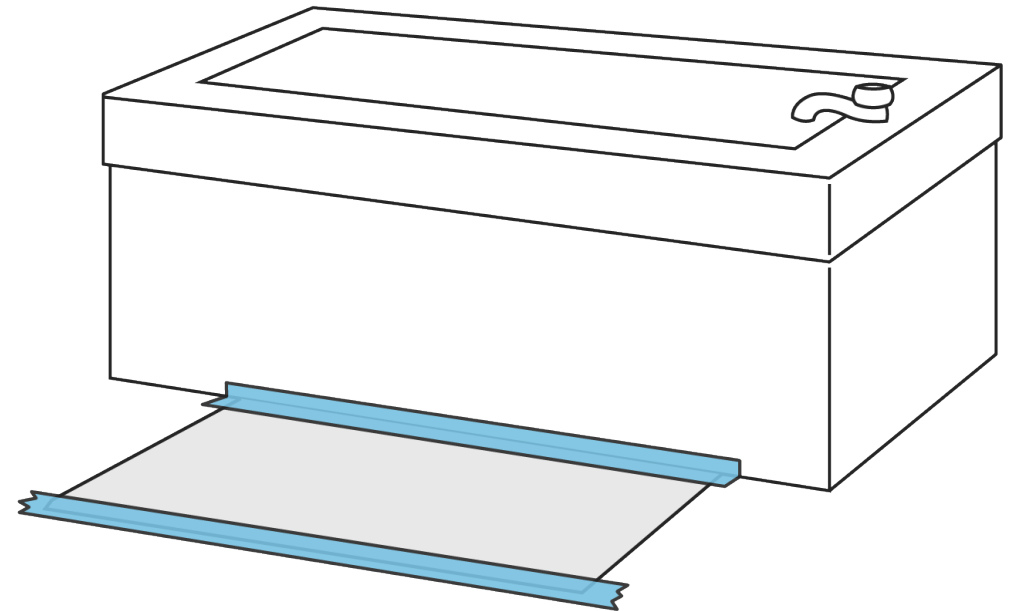
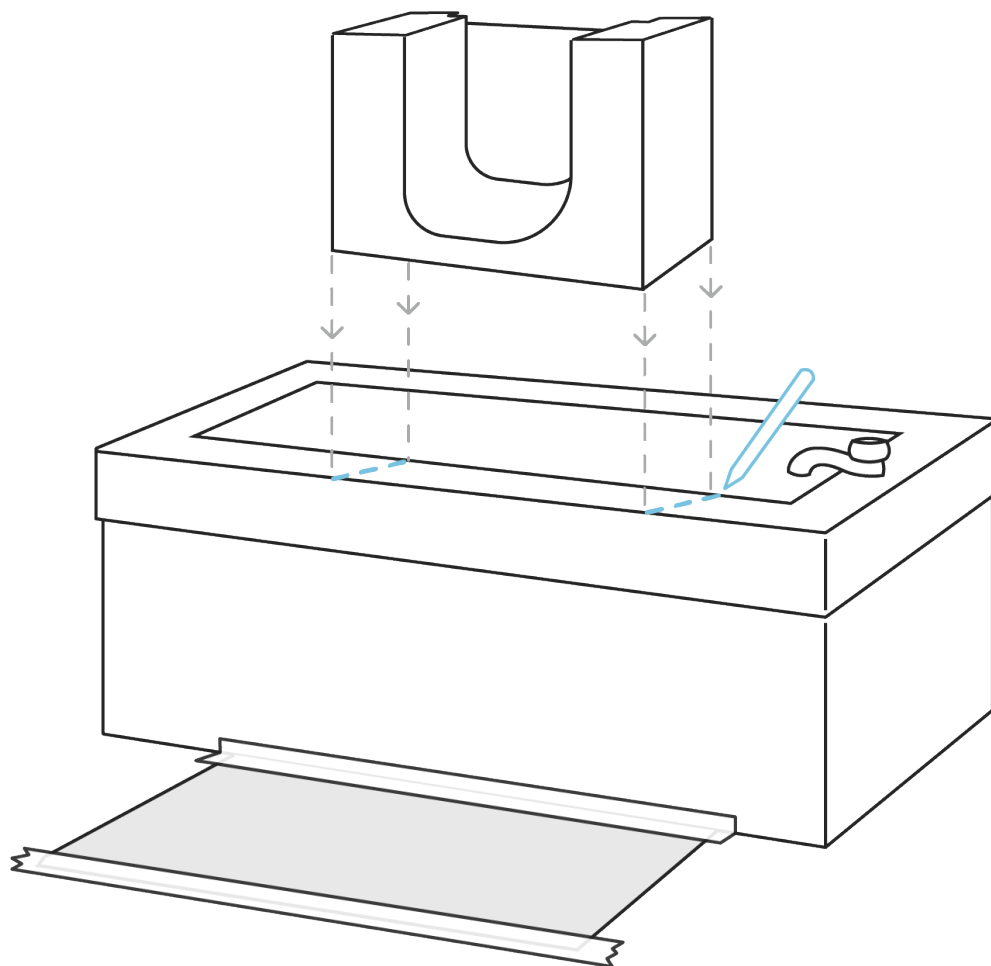
You can also watch our video instructions at:

<http://bit.ly/tubkitvideo>

# Step-by-Step Instructions

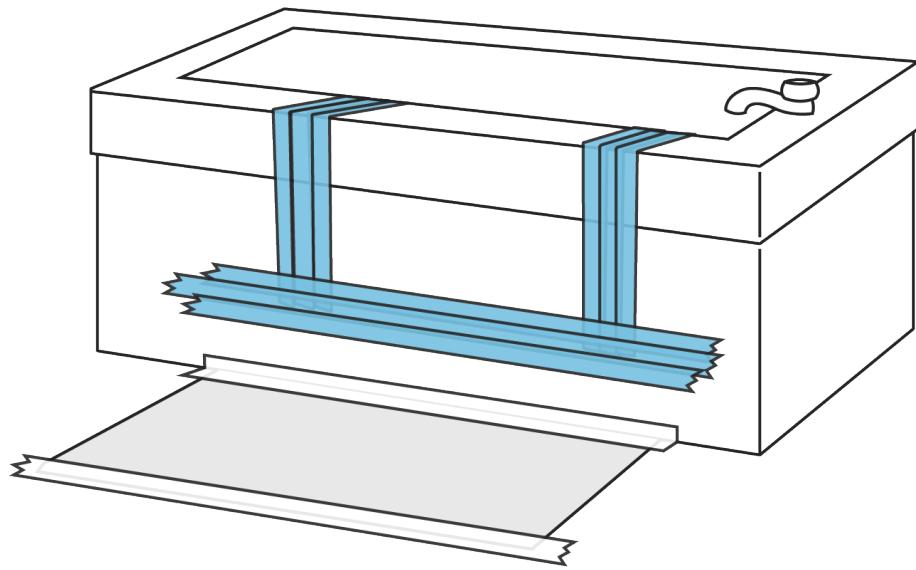
## Step 1) Prepare Your Area

Lay cardboard on the floor in front of your tub and inside your tub. Tape it down to protect your bathroom floor and bathtub floor.



## Step 2) Mark Placement of Kit

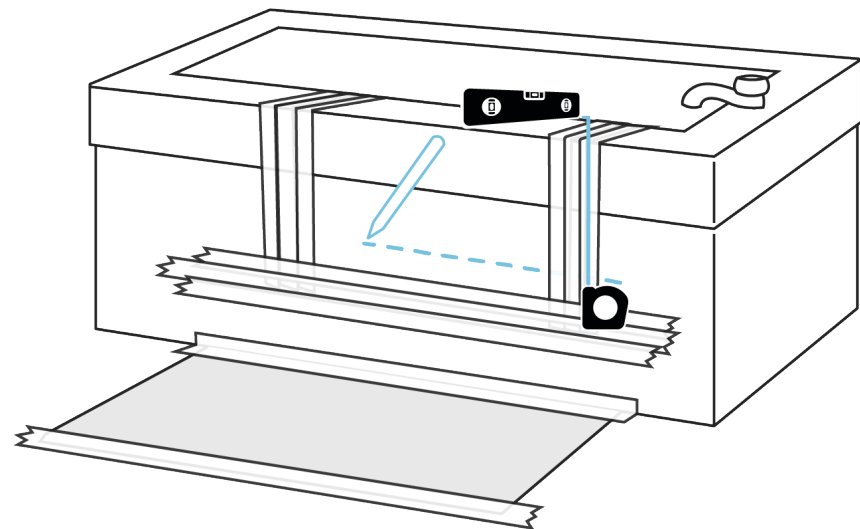
Place your kit on the tub wall, exactly where you want it to be installed. With an erasable marker, mark the sides of the kit on top of your tub wall.



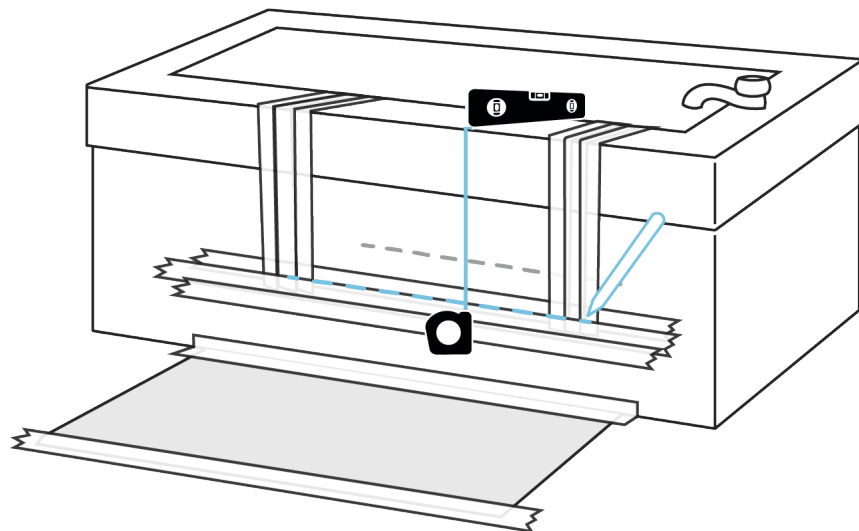
Apply tape roughly in the areas where you will be making the cuts in the tub; the tape will protect the tub's finish. You should be able to see the two marks that were made on top of the tub wall through the tape.

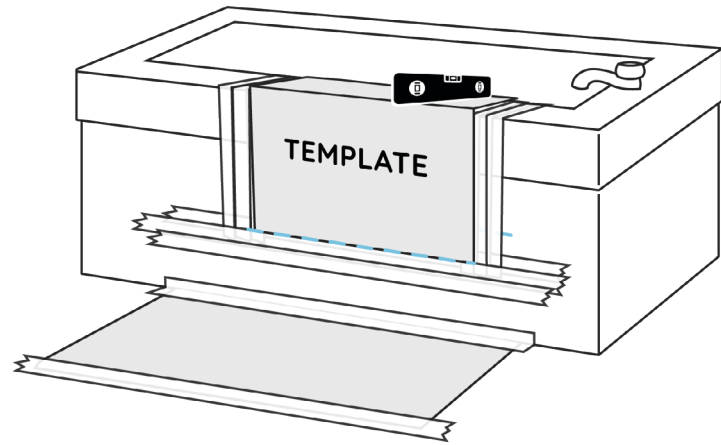
**On the inside of the tub, mark on your tape where the bottom of the kit will sit.**

Use a level to draw a straight, level cut line for the base of the kit.

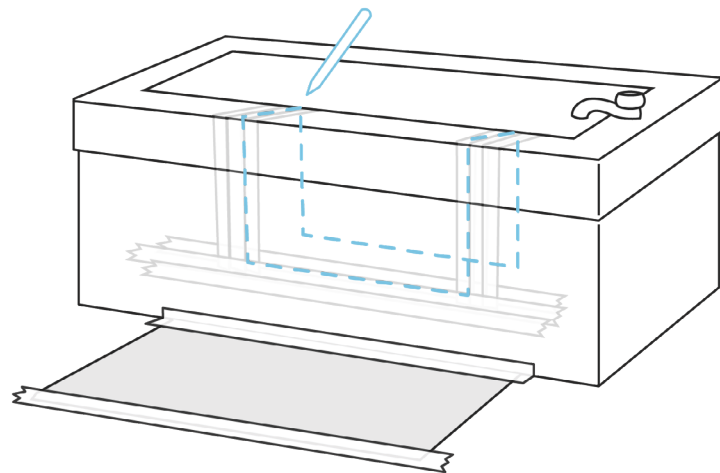


Measure the distance from this baseline to the top of the tub wall, using a level. Make a line at the same height on the outside of the tub.





Place the template back on the tub (ensuring it is level and lined up with cut lines that were marked on top of the tub wall) and trace all edges onto your tub.

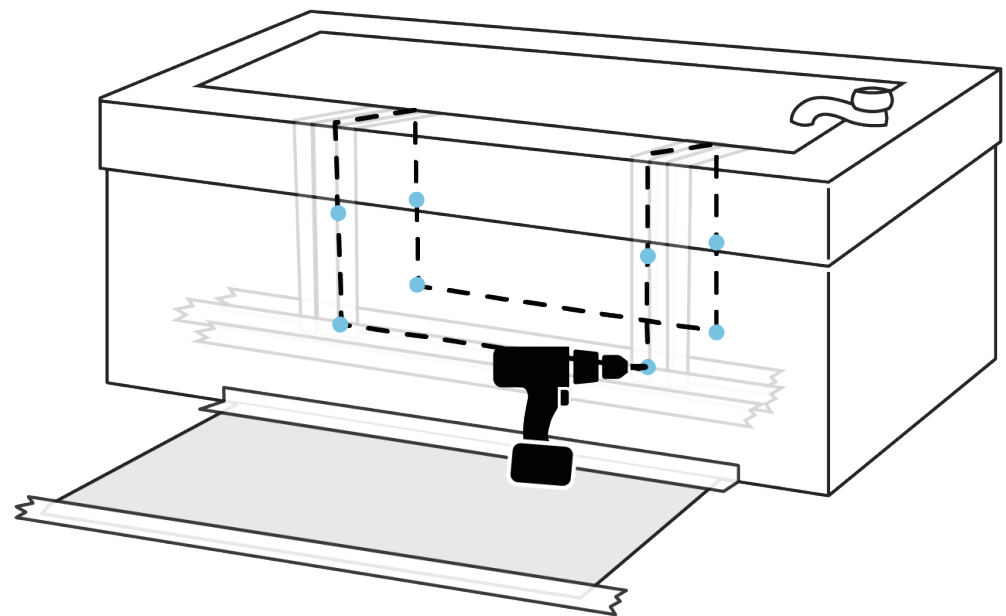


Ensure all measurements are correct (cut lines should be the same height & width apart on the inside and outside of your tub).

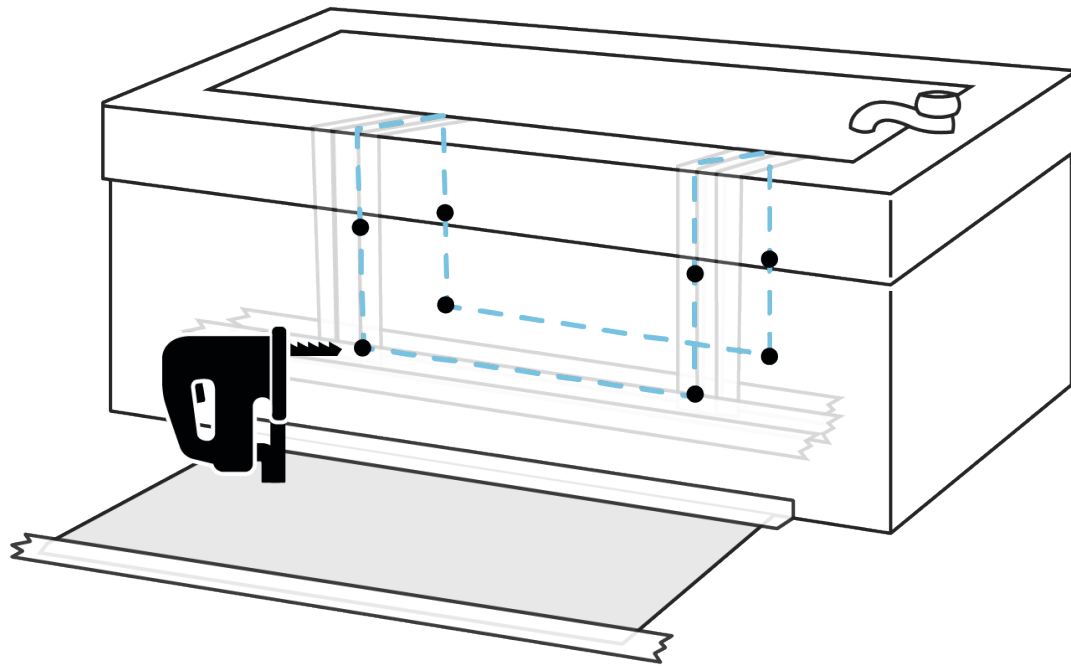
Double check all your drawn cut lines. The lines need to be within a  $\frac{1}{4}$ " tolerance (no more than  $\frac{1}{4}$ " off the original measurement).

### Step 3) Cut Your Tub

Drill holes on each corner of your cutlines (inside and outside) so you can insert the blade of the jigsaw into the tub. Your first cut will be the base cut lines. If the corners are too low for your jigsaw to make the vertical cuts, drill holes halfway up your cutlines.

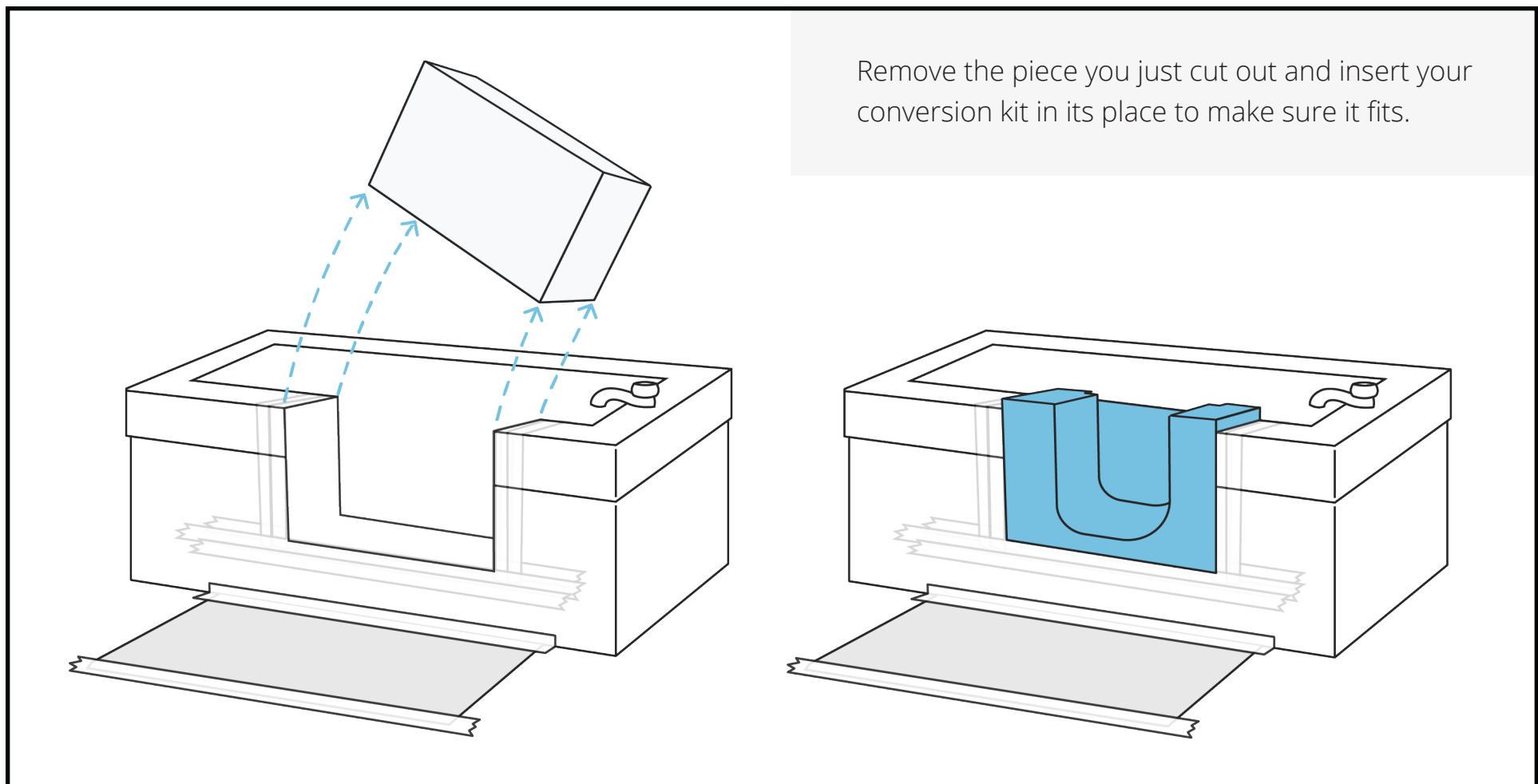






Using a jigsaw, saw the base cut lines first on the inside and outside of your tub.

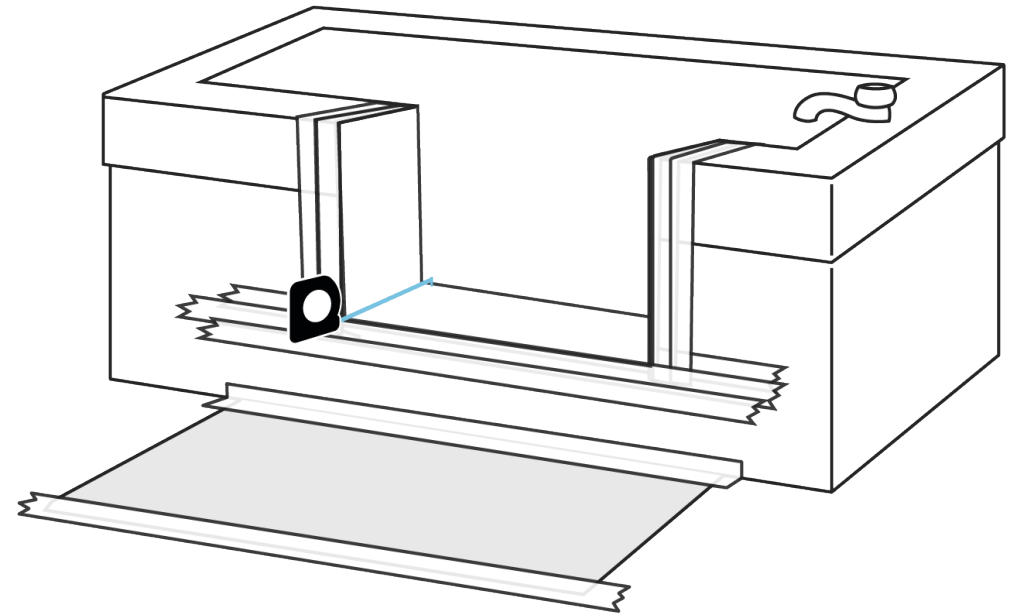
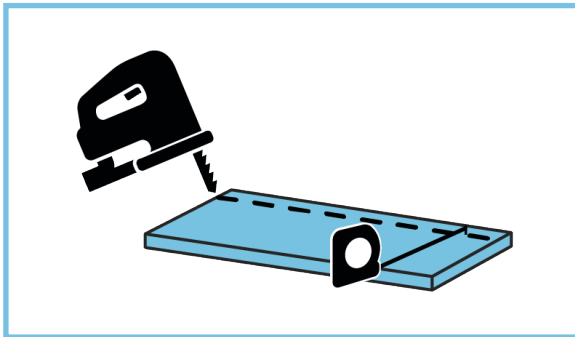
Then saw along the vertical cut lines from the bottom to top (**do not cut the top of the tub yet**). Repeat these cuts on the inside cut lines. You can then cut along the lines on top of your tub wall.



Remove the piece you just cut out and insert your conversion kit in its place to make sure it fits.

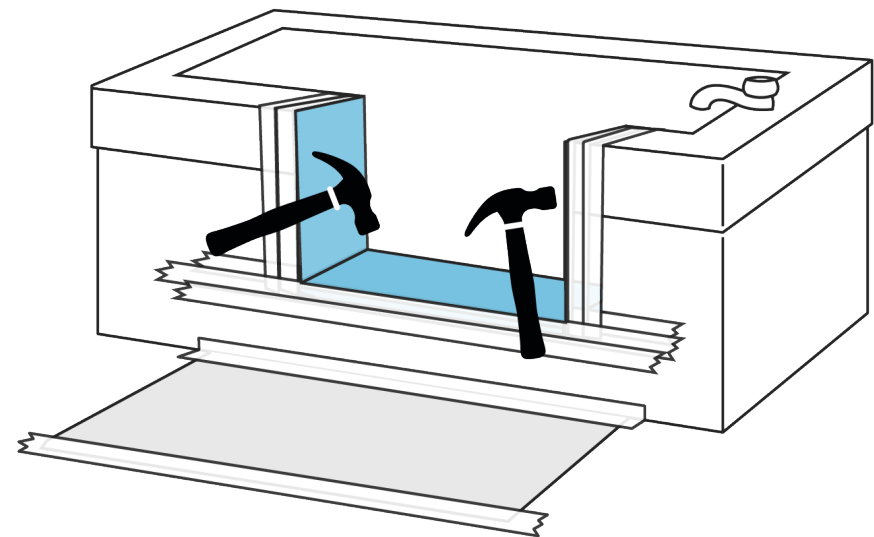
## Step 4) Prepare and Place Stiffener Boards

Remove kit from the tub. Measure the width of the gap between the tub walls (from inside edge to outside edge) and cut your base stiffener board to match this width.



Insert base stiffener board into empty base of tub (you may need to trim the base stiffener further), cutting notches in the baseplate if necessary. This should be a snug fit. Tap base stiffener board with hammer to ensure the fit is snug.

One at a time, hold your side stiffener boards against where they will be installed. With your pencil, draw the profile of the tub wall onto the stiffener board. Using these lines, cut the stiffener boards to fit the gap between the tub walls. This should be a snug fit. You should have to tap the boards into place with a hammer. Saw side stiffener boards to fit the inner walls.

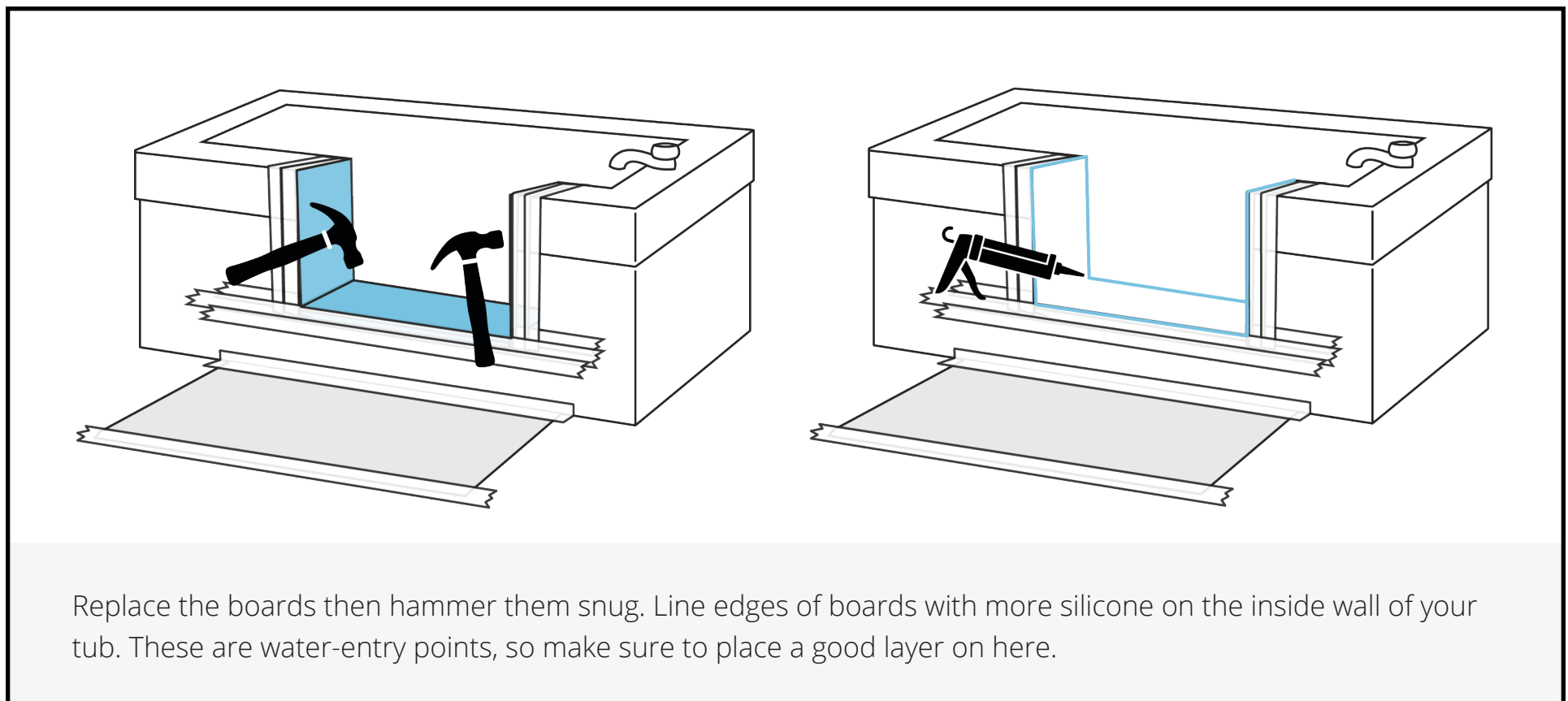
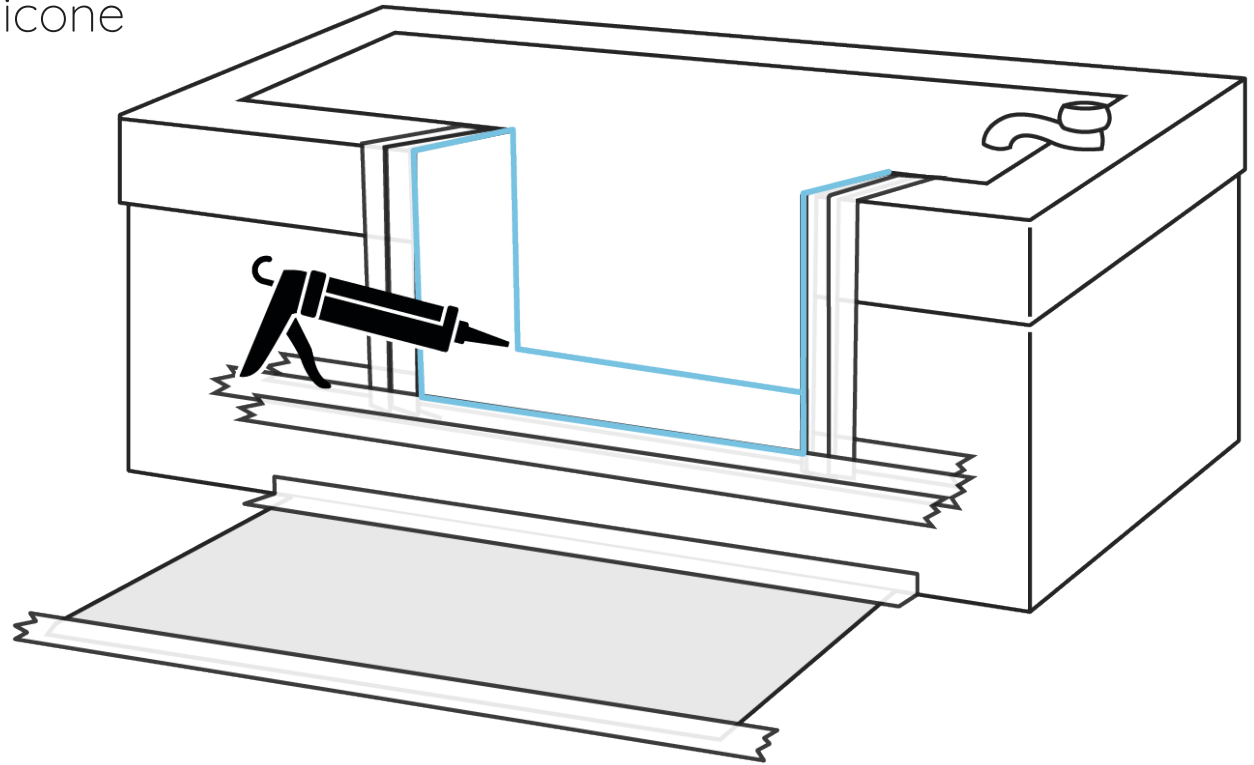


Insert side stiffener boards into side walls of your cut-out and hammer them snug.

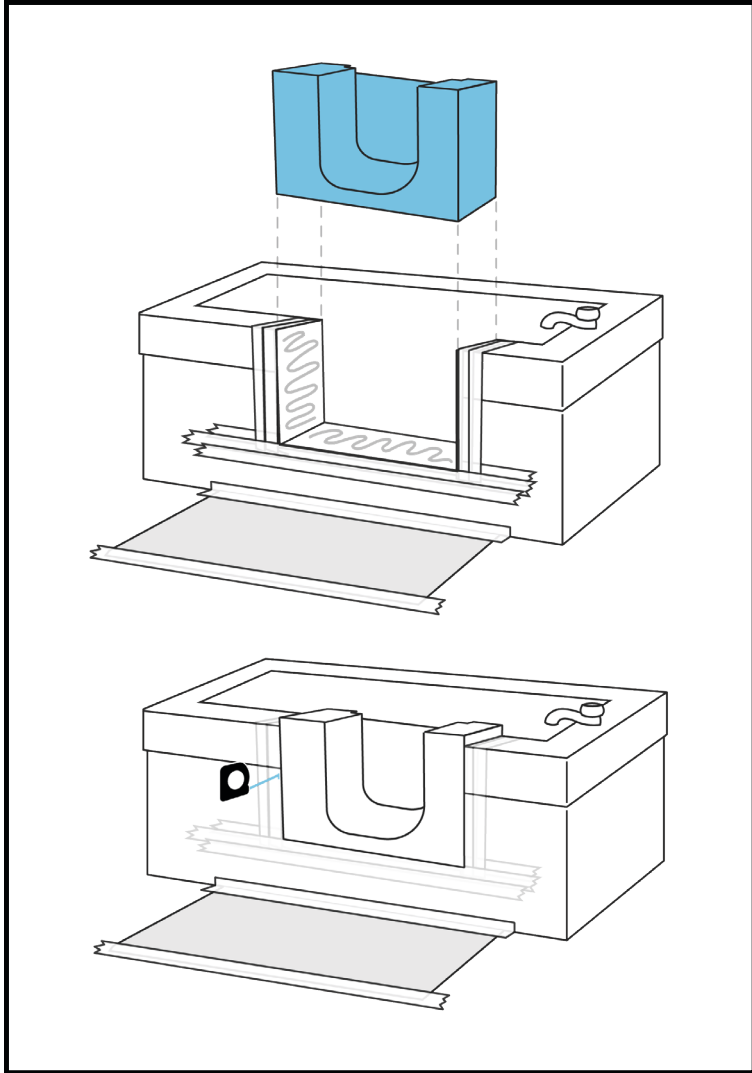
## Step 5) Prepare and Apply Silicone

Vacuum up the debris and dust from your work area to prepare for silicone work.

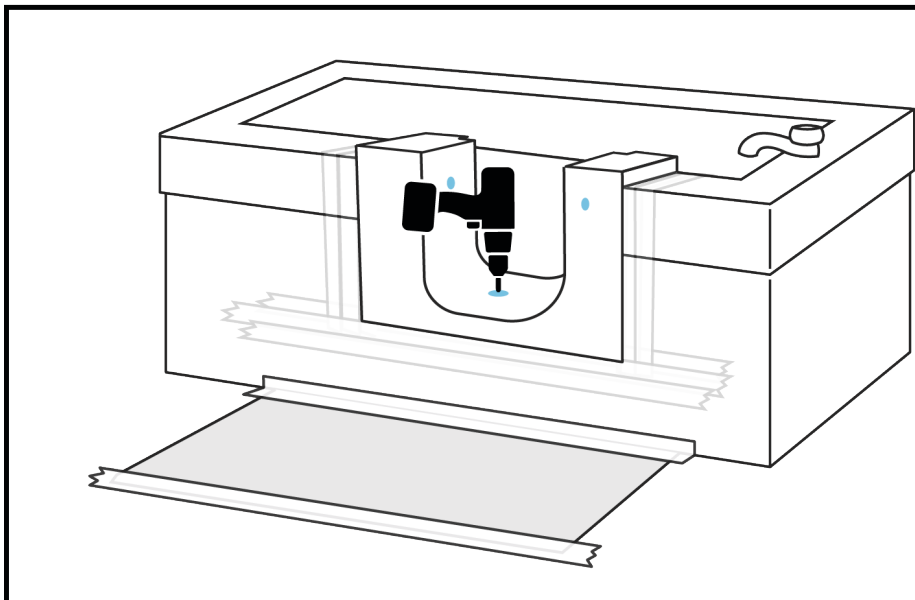
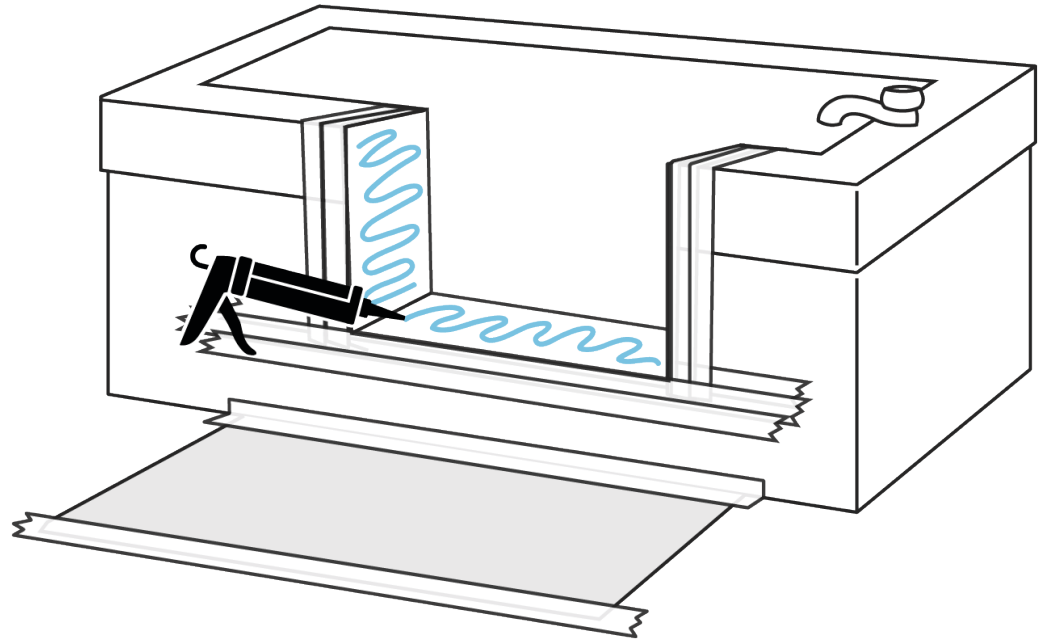
Remove the stiffener boards you inserted and line the inner edges of your exposed tub with silicone.



Replace the boards then hammer them snug. Line edges of boards with more silicone on the inside wall of your tub. These are water-entry points, so make sure to place a good layer on here.



Liberally apply more silicone on the baseboard and sideboards. Then place the conversion kit in place. Take measurements to ensure the kit is installed evenly and square in the tub.



Fasten conversion kit in place by screwing the provided hardware into the holes in your conversion kit (one at the bottom and on each side).

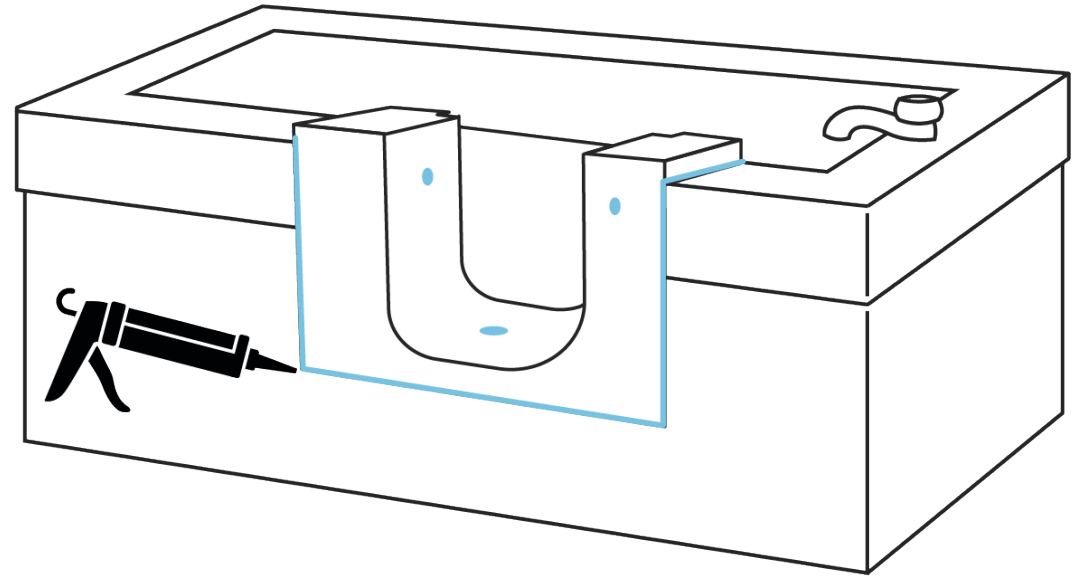
Wipe away excess silicone with a paper towel, in a motion that pushes the silicone back into the cracks.

## Step 6) Finishing Touches

Remove tape and clean the area thoroughly.

Line the perimeter of the kit with a finishing bead of silicone.

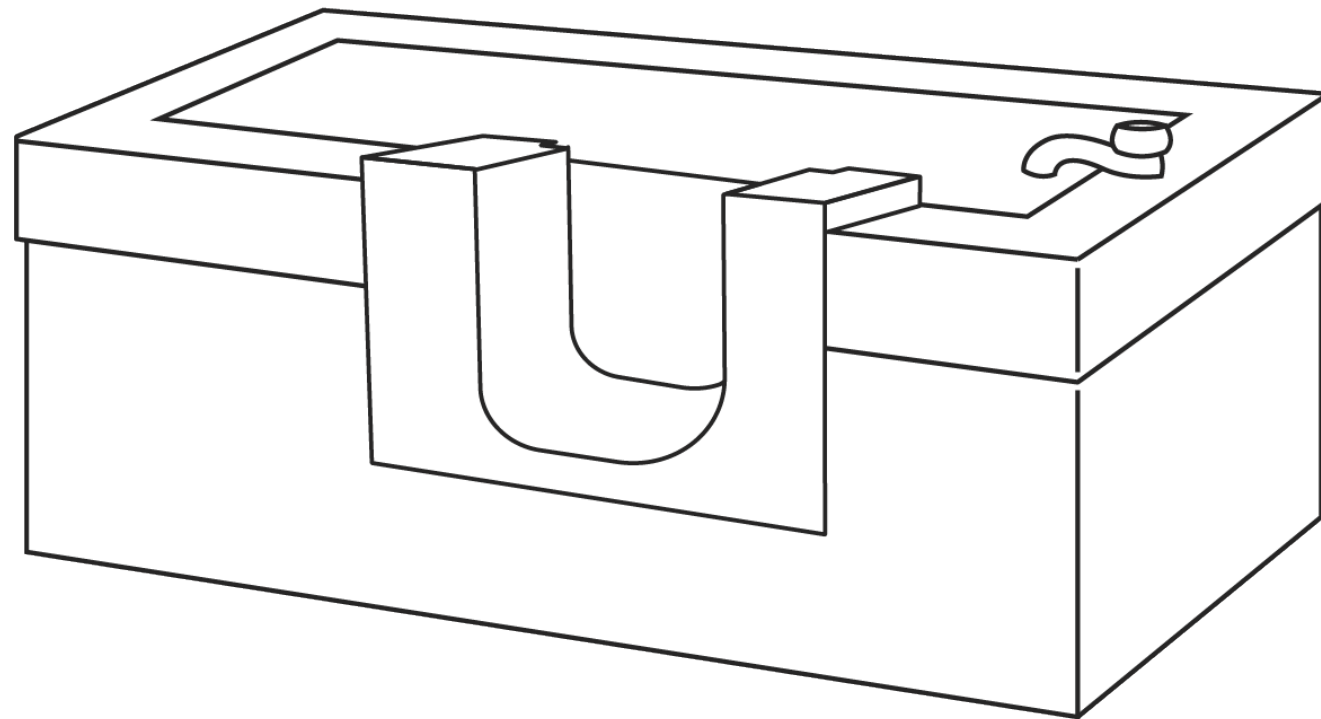
Fill the drilled holes with silicone and insert the provided hole plugs. Wipe off excess silicone with paper towel.



Allow the caulk to cure for 36 to 48 hours before filling tub with water, and at least 24 hours before showering. Consult caulk manufacturer's instructions for further curing time information. Enjoy your tub!



**36-48  
Hours**



Thank you!



**TUB KITS**  
By Safety Bath