



# Accon Marine

SUPERIOR QUALITY FLUSH-MOUNTED MARINE HARDWARE & ACCESSORIES



## PRODUCT CATALOG





# ABOUT ACCON MARINE, L.L.C.

ACCON MARINE, L.L.C.  
IS A PROUD MEMBER OF THE  
FOLLOWING ORGANIZATIONS:



The Accon name has been associated with superior quality precision metalwork for more than 30 years. Accon began as a manufacturer of transistor bases and other precision metal stampings. In 1988, Accon entered the marine industry with the introduction of our 102 series lift rings and the POP-UP® CLEAT, and both the company and the marine industry were changed forever. John and his son, Bernd, used their vast tool and diemaking knowledge and experience to develop an increasing variety of flush mounted, superior quality marine hardware, and the marine industry responded to the fresh ideas and product innovation that became Accon's trademark in the industry. In 1995, Accon Marine became an independent company under the leadership of Bernd "Bernie" Czipri, President. John Czipri remains with the company, designing and developing new products.

As a family owned and operated company, Accon Marine strives to provide the marine industry with the highest quality, most innovative hardware and accessories available anywhere. Our goal is not to be the biggest supplier of marine hardware, but to be the best supplier of the best marine hardware. As boaters, we know that the quality and function of a boat's hardware affects the owner's satisfaction with the boat—so our products have to meet our high standards before they are introduced to the industry. If a product doesn't meet the standard of quality and function that we demand on our own boats, we won't sell it. It's that simple.

Our customers' input into this process is extremely important to us. Your suggestions for improving an existing product, or informing us of your needs for new, innovative products are always welcome. Many of the products in this catalog were developed to meet our customers' needs for flush mounted marine hardware. If you don't find what you need in this catalog, please call us and let us know what you're looking for—chances are we can adapt an existing product to meet your needs, or possibly design a new product to fill a void in the existing market.

# IMPORTANT ORDERING AND WARRANTY INFORMATION

**CREDIT:** Firms with satisfactory commercial credit ratings are qualified for open account with terms of net 30 days. Others may apply for open account by listing the name of an active bank account and three credit references. All shipments to firms which do not have open account status will be made C.O.D. All major credit cards are accepted.

**DISCOUNTS:** Appropriate discounts are provided to valid marine companies upon receipt of current tax I.D. number; catalog, brochure, or other evidence of active and gainful involvement in the marine industry; and photocopy of company check. This information may be submitted by mail or fax in order to receive industry discounts.

**DISPLAY PACKAGING:** Most items are available packaged for resale display at a nominal added cost. Call for details.

**SHIPPING:** Orders are shipped via UPS or RPS ground service unless otherwise specified by the customer. All sales are F.O.B. our plant, unless otherwise quoted.

**CLAIMS:** It is the responsibility of the carrier if damage or loss to the product shipment occurs while in transit. In the case of such damage or shortage, the carrier should be advised and claims should be filed with the carrier immediately.

**RETURNS:** No credit will be given for products returned without prior authorization by Accon Marine L.L.C. Returned items are subject to a 15% handling and re-stocking charge, with the exception of products returned under warranty. Also, In order for Accon Marine, L.L.C. to accept returned goods, they must be returned in the same condition as when they were shipped. This can be accomplished by returning the products in the original box used for shipping. If the original box is no longer available, the products must be individually wrapped in plastic and cushioned with bubble wrap, foam, peanuts, or paper, as to ensure that none of the polished surfaces are scratched.

## **PRODUCT WARRANTIES:**

- ◆ Accon Marine L.L.C. warrants that all POP-UP® Cleats will be free from defects in materials and workmanship under normal use and service, for the life of the boat on which the product is originally installed. Accon Marine L.L.C. warrants that all stainless steel products will be free from defects in materials and workmanship, under normal use and service, for a period of two (2) years of after date of purchase. Plastic and nylon parts are warrantied for one (1) year.
- ◆ This limited warranty is not applicable if the product is damaged by accident, improper installation, unreasonable use, lack of proper maintenance, unauthorized repair or modification, or any other causes not related to defects in material and/or workmanship.
- ◆ Proper maintenance consists of rinsing with fresh water regularly, and following each exposure to salt water. Stainless steel surfaces should be periodically wiped with a clean, soft cloth. Plastic surfaces may be cleaned with a mild, non-abrasive detergent solution, then rinsed with fresh water as necessary.
- ◆ Under this warranty, Accon Marine L.L.C.'s obligations are limited to repair of the product at Accon Marine's plant or replacement of the product at Accon Marine's option and at Accon Marine's expense. Any expenses involved in the removal or reinstallation of the product are not covered by this warranty.
- ◆ The product in question must be returned to Accon Marine L.L.C. with proof of original product purchase including date of purchase. The acceptance by Accon Marine L.L.C. of any product returned shall not be deemed an admission of a defect of product or violation of the warranty.
- ◆ This warranty is Accon Marine L.L.C.'s only express warranty of the product. This warranty is expressly made in lieu of any other incidental or consequential costs, expenses, or damages.
- ◆ This warranty gives the purchaser specific legal rights. The purchaser may also have other rights which vary from state to state.

**ALL PRODUCTS ARE SUBJECT TO DESIGN CHANGE AND IMPROVEMENT WITHOUT PRIOR NOTICE.  
POP-UP AND SLIM-LINE ARE REGISTERED TRADEMARKS OF ACCON MARINE L.L.C.**

<b>SALES REP INFORMATION</b> .....	2
<b>CLEATS</b>	
POP-UP® CLEATS .....	3
SERIES 300 FOLDING CLEAT .....	4
SURFACE MOUNT FOLDING CLEATS .....	5
POP-UP® CLEAT OPTIONAL ITEMS.....	6
WIDE-LINE CLEATS .....	8
SLIM-LINE™ CLEATS .....	9
12" PULL-UP CLEAT .....	10
15" PULL-UP CLEAT .....	11
460 STYLE PULL-UP CLEATS .....	12
490 STYLE PULL-UP CLEATS .....	13
409 SERIES MOORING CLEATS.....	14
<b>THRU HULL FITTINGS</b> .....	6
<b>LIFTING HARDWARE</b>	
LIFTING CLEATS .....	13-15
LIFTING EYES .....	16-17
PIVOT ATTACHMENT FOR LIFTING HARDWARE .....	18
<b>POP-UP® LIGHTS</b> .....	20-22
<b>CHOCKS</b> .....	23-24
<b>SKI TOWS</b> .....	25
<b>TIE DOWNS</b> .....	24
<b>QUICK RELEASE BIMINI HINGES</b> .....	26-31
<b>EYE ENDS</b> .....	32
<b>FENDER HANGERS</b> .....	31
<b>PUSH POLE HOLDERS</b> .....	33-34
<b>DRINK HOLDERS</b> .....	35
<b>INTERNATIONAL DISTRIBUTORS</b> .....	36



## SALES REP INFORMATION

Please find below a list of our sales reps by state. Please feel free to contact them, or us, directly at any time if you would like more information, or if you would like a sales rep to stop in and visit.

If your state is not listed, please contact Accon Marine directly.

### States

**AL, FL, GA, KY, MS, NC, SC, TN**

### Sales Rep Information

Haimes Coleman Group  
1671 NW 144 Terrace, Suite 101  
Sunrise, FL 33323  
Phone: 954-845-0411  
Fax: 954-845-0311  
E-mail: [reps@haimescolemangrp.com](mailto:reps@haimescolemangrp.com)  
[www.haimescolemangrp.com](http://www.haimescolemangrp.com)

**AR, KS, LA, MO, OK, TX**

Ozark Marine  
HC81 Box 9028  
Eagle Rock, MO 65641  
Phone: 417-271-3264  
Fax: 417-271-3308  
E-mail: [ozarkmar@ipa.net](mailto:ozarkmar@ipa.net)

**IA, MN, ND, NE, SD, WI**

Progressive Sales  
4609 Castle Court  
Holland, MI 49423  
Phone: 616-218-1308  
E-mail: [progressivesales@aol.com](mailto:progressivesales@aol.com)  
[www.patrickw@prosalesteamusa.com](http://www.patrickw@prosalesteamusa.com)

**IL, MI, IN, OH**

Cressy Marketing  
3925 Glaser Court  
Mishawaka, IN 46545  
Phone: 1-800-927-4027  
Fax: 574-259-7723  
E-mail: [info@cressymarketing.com](mailto:info@cressymarketing.com)  
[www.cressymarketing.com](http://www.cressymarketing.com)

POP-UP® CLEAT

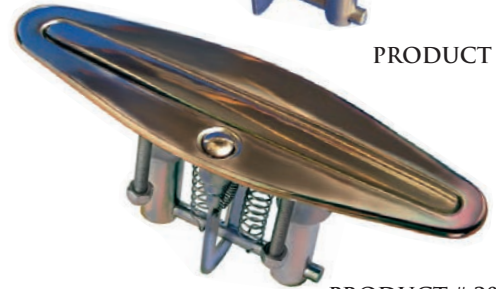
Flush Mounted  
**POP-UP**  
C·L·E·A·T



PRODUCT # 202-6-BR



PRODUCT # 202-6



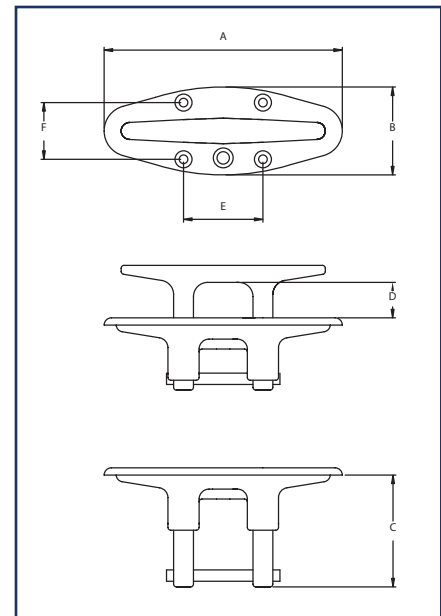
PRODUCT # 202-6-S

**FEATURES**

- ◆ Cleat pops up at the touch of a button—simply push it back down when it is no longer needed and it locks in the flush position.
- ◆ In the up position, Pop-Up® Cleats function exactly like conventional cleats.
- ◆ Available in four sizes, 4 1/2", 6", 8" & 10".
- ◆ Made of marine grade 316 stainless steel.
- ◆ Available in a polished stainless or brushed stainless finish.

**INSTALLATION**

- ◆ Each cleat is shipped with a backing plate which also serves as the cut-out template.
- ◆ Use the supplied backing plate as a template to scribe the outline of the cut-out.
- ◆ After cutting out the shape, insert Pop-Up® Cleat into opening and transfer mounting holes from cleat into deck.
- ◆ Attach the backing plate and waterproofing cup (if needed) below the deck.
- ◆ Attach with four screws (not included) and four nuts (not included). Please see specification chart for screw sizes required.



**PRODUCT SPECIFICATIONS**

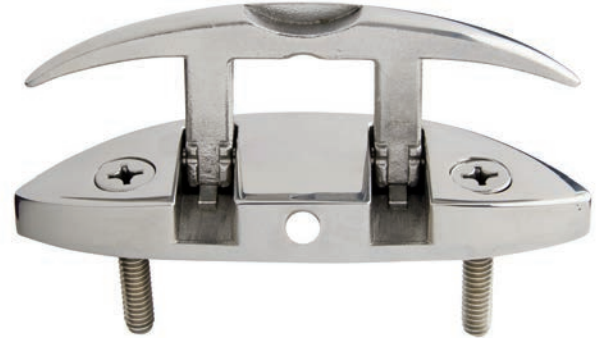
PRODUCT #	202-4	202-6	202-6-S	202-8	202-8-S	202-10	202-10-S
Size	4 1/2"	6"	6	8"	8"	10"	10"
Weight	1 lb.	1.5 lb.	1.9 lbs.	2.5 lb.	3.3 lbs.	4.2 lb.	5.5 lbs.
"A" Length	5 1/4"	6 3/4"	6 3/4"	9"	9"	10 7/8"	10 7/8"
"B" Width	1 7/8"	2 5/16"	2 5/16"	2 5/8"	2 5/8"	3 3/8"	3 3/8"
"C" Depth	3"	3"	3"	3 3/4"	3 3/4"	4 1/2"	4 1/2"
"D" Clearance	7/8"	1"	1"	1 1/8"	1 1/8"	1 3/8"	1 3/8"
"E" Hole/Stud Distance	1 3/4"	2 1/4"	2 1/4"	2.73"	2.73"	3 3/4"	3 3/4"
"F" Hole/Stud Distance	1 1/4"	1 1/2"	1 1/2"	1.78"	1.78"	2 3/8"	2 3/8"
Max Line Size	1/2"	5/8"	5/8"	3/4"	3/4"	1"	1"

**SCREWS REQUIRED**

Quantity	4	4	N/A	4	N/A	4	N/A
Diameter	3/16"	1/4"	N/A	1/4"	N/A	5/16"	N/A
Stud Length	N/A	N/A	3"	N/A	3"	N/A	3"



# SERIES 300 FOLDING CLEAT



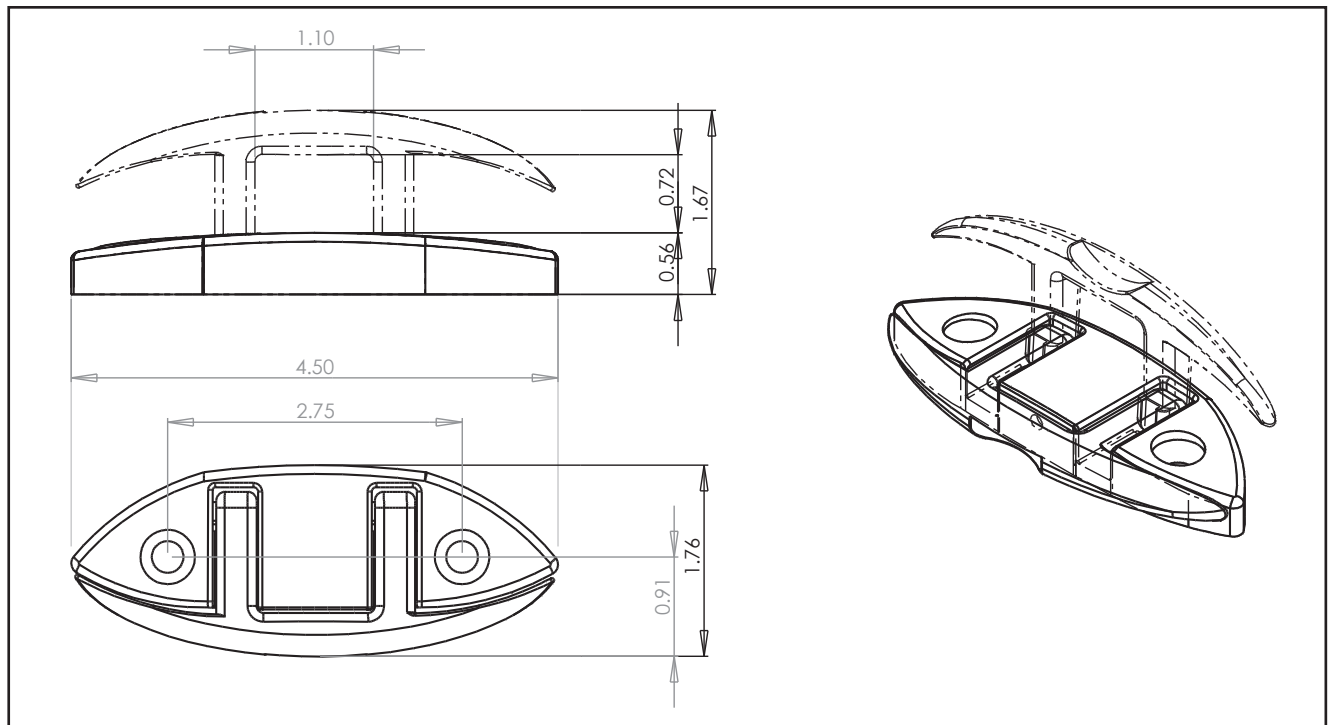
PRODUCT #	DESCRIPTION
300-4	4 1/2" Manual Folding Cleat

## FEATURES

- ◆ Made of Marine Grade 316 Stainless Steel.
- ◆ No cut-out required, just two hole installation.
- ◆ Fasteners not included

## INSTALLATION

Drill two holes for 1/4" mounting screws (not included)



# SURFACE MOUNT FOLDING CLEATS



PART # 333



PART # 334  
DOWN



PART # 334  
UP



PART # 332  
DOWN



PART # 332-S  
UP

## PRODUCT # DESCRIPTION

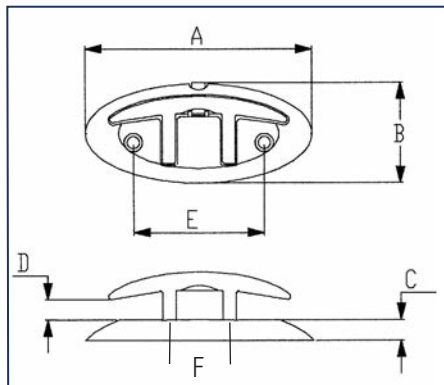
<b>335-3.5</b>	3 1/2" Folding Cleat with visible screw holes
<b>335-3.5-S</b>	3 1/2" Folding Cleat with no visible screw holes (stud mount)
<b>333-4</b>	4 1/2" Folding Cleat with visible screw holes
<b>334-4</b>	4 1/2" Folding Cleat with no visible screw holes (stud mount)
<b>332-6</b>	6" Folding Cleat with visible screw holes
<b>332-6-S</b>	6" Folding Cleat with no visible screw holes (stud mount)
<b>332-8</b>	8" Folding cleat with visible screw holes
<b>332-8-S</b>	8" Folding cleat with no visible screw holes (stud mount)

## FEATURES

- ◆ Mounts on surface of boat. No cut-outs or hole saws required.
- ◆ These cleats lock down when not needed, and spring up when release button is pushed in.
- ◆ No drain tubes or drain receptacles required. They do not leak into the boat.
- ◆ The most simple installation of any retractable cleat in the industry.
- ◆ Constructed of marine grade 316 cast S.S. and brightly polished.
- ◆ Two styles to choose from: The stud mount (with hidden fasteners) or through bolted (with visible screw holes). Stud length is 1 1/2".
- ◆ Opens toward the water, folds toward the boat.

## INSTALLATION

- ◆ Drill two holes with standard drill bits for the mounting screws or studs.



## PRODUCT SPECIFICATIONS

PRODUCT #	333-3.5	333-3.5-S	333-4	334-4	332-6	332-6-S	332-8	332-8-S
<b>Size</b>	3 1/2"	3 1/2"	4 1/2"	4 1/2"	6"	6"	8"	8"
<b>Weight</b>	0.5 lb.	0.55 lbs.	1.04 lb.	1.18 lb.	1.68 lb.	1.88 lb.	4.18 lb.	4.52 lb.
<b>"A" Length</b>	4.5"	4.5"	6.25"	6.25"	7.4"	7.4"	9.9"	9.9"
<b>"B" Width</b>	1.9"	1.9"	2.44"	2.44"	3.25"	3.25"	4.32"	4.32"
<b>"C" Height</b>	0.4"	0.4"	0.5"	0.5"	0.67"	0.67"	0.89"	0.89"
<b>"D" Clearance</b>	0.45"	0.45"	0.55"	0.55"	0.75"	0.75"	0.95"	0.95"
<b>"E" Stud/Screw Distance</b>	0.84"	0.84"	3.38"	3.38"	4.3"	4.3"	5.73"	5.73"
<b>"F" Distance</b>	0.84"	0.84"	1 1/8"	1 1/8"	1 1/2"	1 1/2"	2.0"	2.0"
<b>Stud Diameter</b>	N/A	1/4"	N/A	5/16"	N/A	3/8"	N/A	1/2"
<b>Max Line Size</b>	3/8"	3/8"	1/2"	1/2"	5/8"	5/8"	3/4"	3/4"

## SCREWS REQUIRED

Quantity	2	N/A	2	N/A	2	N/A	2	N/A
<b>Diameter</b>	1/4"	N/A	1/4"	N/A	5/16"	N/A	1/2"	N/A
<b>Studs</b>	N/A	2"	N/A	2"	N/A	2"	N/A	3.5"



## POP-UP® CLEAT OPTIONAL ITEMS



### TOP-MOUNT BACKING PLATES

#### PRODUCT # DESCRIPTION

202-4-TMP	4 1/2" Top mount backing plate
202-6-TMP	6" Top mount backing plate
202-8-TMP	8" Top mount backing plate
202-10-TMP	10" Top mount backing plate

#### FEATURES

- ◆ Allows for easy installation from above the deck.
- ◆ No need for access below the deck.

#### INSTALLATION

- ◆ Place the template (backing plate) in the desired location. Make sure that there is adequate clearance for the Pop-Up® mechanism below the deck.
- ◆ Trace the cleat cut-out area and spot the small threaded hole. Do not spot the four mounting holes yet.
- ◆ Cut out the cleat installation area.
- ◆ Drill a 3/16" diameter hole for the #6 screw.
- ◆ Place cleat in cut-out and spot the four mounting holes.
- ◆ Remove the cleat and drill the four mounting holes.
- ◆ Place the backing plate through the cut-out and install the #6 screw through the deck into the backing plate. Be careful not to drop the backing plate down into the hull. Do not over tighten the #6 screw.
- ◆ Replace the cleat into the cut-out and install the four mounting screws through the cleat and deck into the backing plate.



### OPTIONAL WATERPROOFING CUP

#### PRODUCT # DESCRIPTION

202-4C	4 1/2" Waterproofing Cup
202-6C	6" Waterproofing Cup
202-8C	8" Waterproofing Cup
202-10C	10" Waterproofing Cup

#### FEATURES

- ◆ Prevents unwanted water runoff below deck.



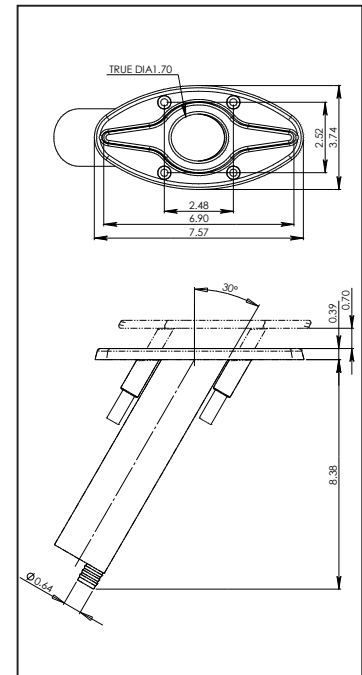
### THROUGH HULL FITTINGS

#### PRODUCT # DESCRIPTION

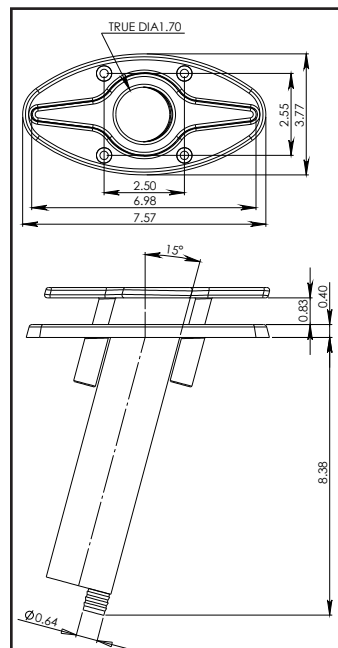
600	Brass through hull fitting
601	Plastic through hull fitting
602	Stainless Steel through hull fitting

#### FEATURES

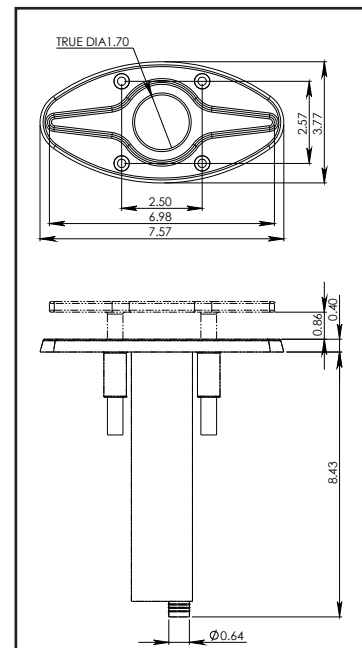
- ◆ For up to 1/4" thick hulls.
- ◆ Available in plastic, stainless steel or brass.
- ◆ Thread is 3/8-24.



9814-6-30



9814-6-15



9814-6-0

**PRODUCT #**

9814-6-0

9814-6-15

9814-6-30

**DESCRIPTION**

6" Cleat with 0° Rod Holder

6" Cleat with 15° Rod Holder

6" Cleat with 30° Rod Holder

**FEATURES**

- ◆ Made of marine grade 316 stainless steel.
- ◆ Saves room on the gunnel.
- ◆ Eliminates the need for two separate installations.
- ◆ Available in 0°, 15° & 30°.
- ◆ Max line size 1/2".

**INSTALLATION**

- ◆ Each cleat/rod holder is shipped with a backing plate, which also serves as the cut-out template.
- ◆ Use the supplied backing plate as a template to scribe the outline of the cut-out.
- ◆ After cutting out the shape, insert the cleat/rod holder into opening and transfer mounting holes from cleat onto deck.
- ◆ Attach with four screws (not included) and four nuts (not included).
- ◆ If needed, use a 5/8" ID hose to drain.



# WIDE-LINE CLEATS



## FEATURES

- ◆ Sleek, low profile appearance.
- ◆ Large flange helps cover rough cut-out area.
- ◆ Made of marine grade 316 stainless steel.
- ◆ Mounts from the bottom via welded stainless steel threaded studs.

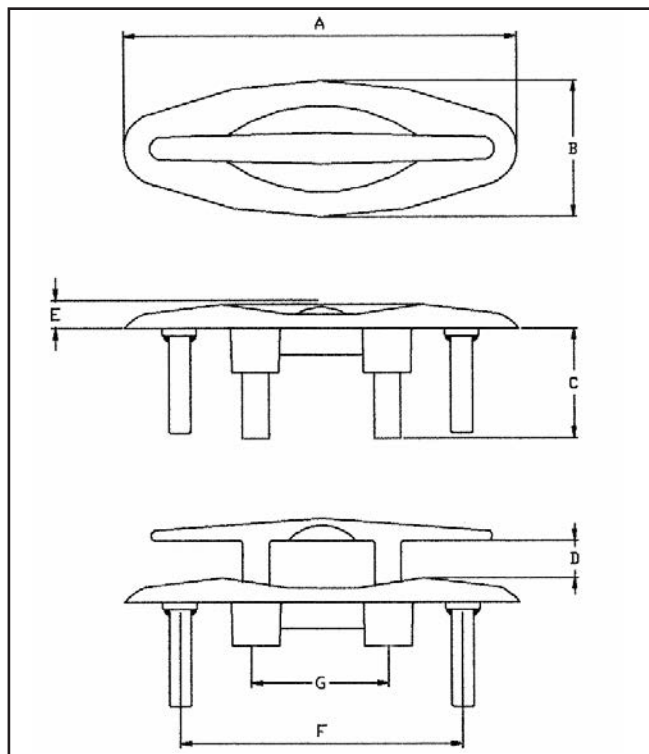
## INSTALLATION

- ◆ Each cleat is shipped with a backing plate which also serves as the cut-out template.
- ◆ Drill four holes and saw-cut clearance between the two center holes.

## OPTIONAL WATERPROOFING CUP

- ◆ Prevents unwanted runoff below deck
- ◆ Specify product number when ordering:

- 305-4C (4 1/2")
- 305-6C (6")
- 305-8C (8")
- 305-10C (10")



## PRODUCT SPECIFICATIONS

PRODUCT #	305-4	305-6	305-8	305-10
Size	4 1/2"	6"	8"	10"
Weight	0.82 lbs.	1.34 lbs.	2.70 lbs.	5.04 lbs.
"A" Length	5.25"	6.87"	9"	11"
"B" Width	1.94"	2.38"	2.81"	3.5"
"C" Depth	1.8"	2.1"	2.7"	3.3"
"D" Clearance	0.55"	0.7"	1"	1"
"E" Height	0.36"	0.50"	0.67"	0.8"
"F" Stud Distance	3.75"	4.95"	6.07"	7.50"
"G" Distance	1.75"	2.31"	3.0"	3.84"
Thread Size	5/16-18	3/8-16	3/8-16	1/2-13
Stud Length	1 5/8"	1 7/8"	2 5/8"	3"
Max Line Size	3/8"	5/8"	3/4"	1"

# SLIM-LINE™ CLEATS



PRODUCT # 304-6 DOWN



PRODUCT # 304-6 UP

## FEATURES

- ◆ Sleek, narrow design allows for installation where other flush-mounted cleats won't fit.
- ◆ Made of marine grade 316 stainless steel.
- ◆ Easy to pull up—the recess in the base allows the cleat to be grasped quickly and easily.
- ◆ Available in polished stainless or brushed stainless finish..

## INSTALLATION

- ◆ Each cleat is shipped with a backing plate which also serves as the cut-out template.
- ◆ Drill four holes and saw-cut clearance between the two center holes.

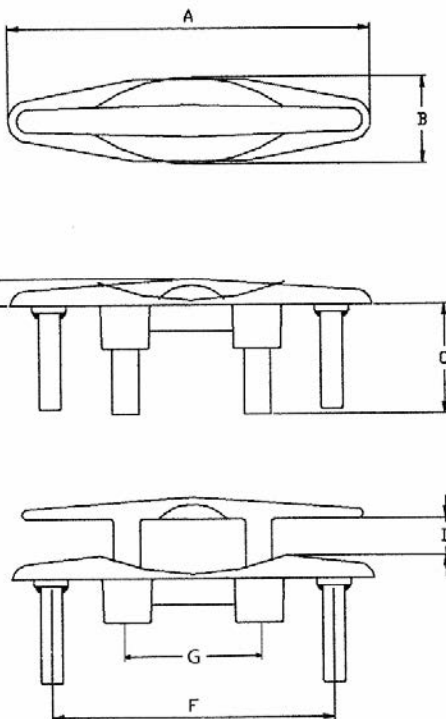
## OPTIONAL WATERPROOFING CUP

- ◆ Prevents unwanted runoff below deck
- ◆ Specify product number when ordering:

304-4C	(4 1/2")
304-6C	(6")
304-8C	(8")
304-10C	(10")

## PRODUCT SPECIFICATIONS

PRODUCT #	304-4	304-6	304-8	304-10
Size	4 1/2"	6"	8"	10"
Weight	0.70 lbs.	1.0 lbs.	2.5 lbs.	5.26 lbs.
"A" Length	5"	6.315"	9"	11"
"B" Width	1.3"	1.5"	2"	2.8"
"C" Depth	1.8"	2.1"	2.7"	3.3"
"D" Clearance	0.55"	0.78"	1"	1"
"E" Height	0.5"	0.535"	0.725"	0.85"
"F" Stud Distance	3.75"	4.95"	6.07"	7.5"
"G" Distance	1.75"	2.31"	3.0"	3.75"
Thread Size	5/16-18	3/8-16	3/8-16	1/2-13
Stud Length	1 5/8"	1 7/8"	2 5/8"	2.85"
Max Line Size	1/2"	5/8"	3/4"	1"





# 12" PULL-UP CLEAT



PRODUCT # 205-12 UP



PRODUCT # 205-12 DOWN

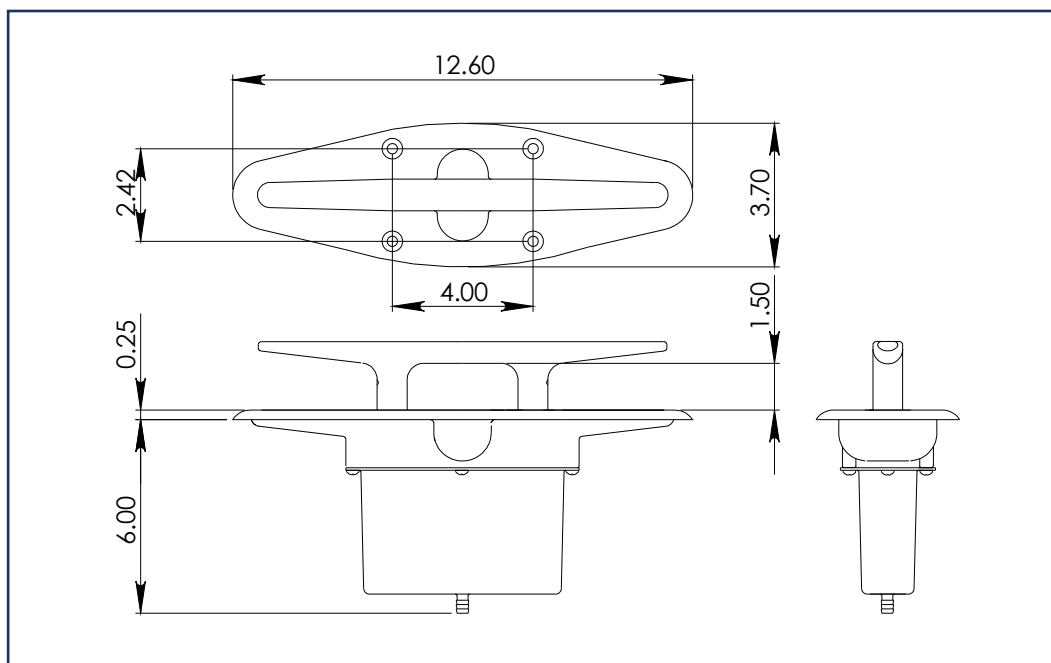
PRODUCT #	DESCRIPTION
205-12	12" Pull-Up Cleat
205-12-S	12" Pull-Up Cleat - Stud mount

## FEATURES

- ◆ Marine grade 316 stainless steel.
- ◆ Each cleat is supplied with a waterproofing cup.
- ◆ 3/4" max rope size.
- ◆ Safe load 14,000 lbs.
- ◆ Stud length is 3" on 205-12-S.

## INSTALLATION

- ◆ Each cleat is shipped with a backing plate which also serves as the cut-out template.
- ◆ Fasten with four 5/16" diameter screws (not included).



# 15" PULL-UP CLEAT



PRODUCT # 115-15-S



PRODUCT # 115-15-S

**PRODUCT # DESCRIPTION**

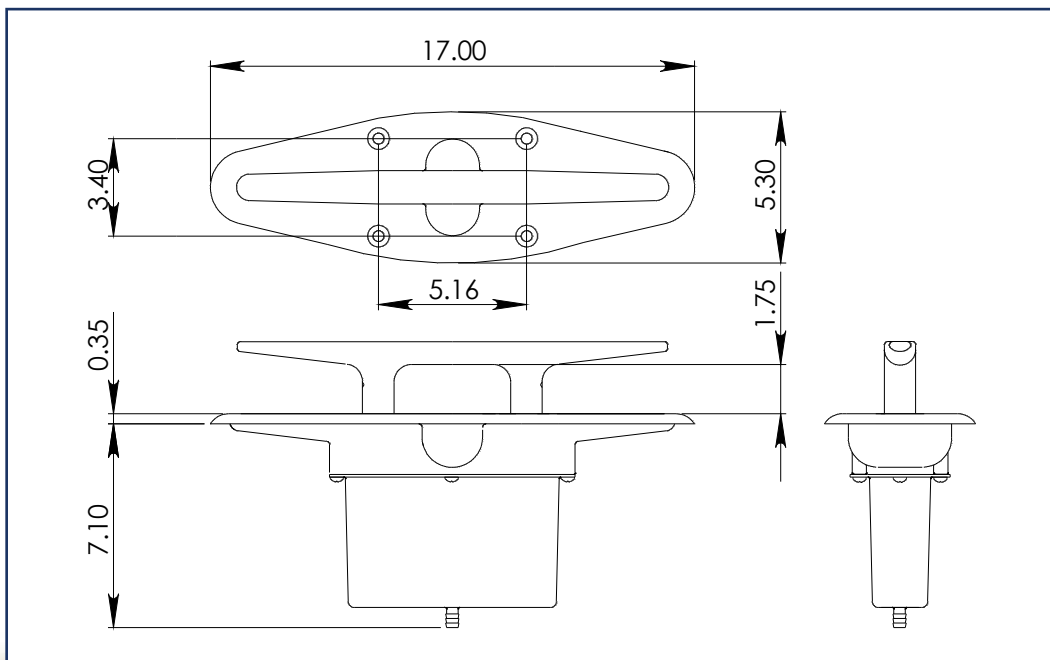
<b>115-15</b>	15" Pull-Up Cleat—Through-Bolted
<b>115-15-S</b>	15" Pull-Up Cleat—Stud Mount

**FEATURES**

- ◆ The largest flush-mounted cleat available!
- ◆ Marine grade 316 stainless steel.
- ◆ Available in both stud mount and through-bolt versions.
- ◆ Stud length is 4" on part # 115-15-S.
- ◆ Each cleat is supplied with a waterproofing cup.
- ◆ 1" max rope size
- ◆ Safe load for 115-15 is 20,000 lbs., safe load for 115-15-S.

**INSTALLATION**

- ◆ Each cleat is shipped with a backing plate which also serves as the cut-out template.
- ◆ Fasten with four 3/8" diameter screws (not included).





# 460 STYLE PULL-UP CLEATS



PRODUCT # 460-6  
DOWN



PRODUCT # 460-6  
UP



PRODUCT # 460-6-BR

## PULL-UP CLEAT SERIES 460

### FEATURES

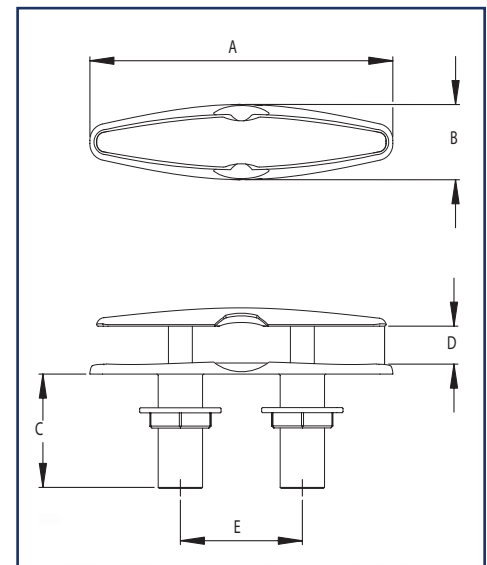
- ◆ No cut-out required
- ◆ Mounded base allows water to run off the cleat
- ◆ Made of marine grade 316 stainless steel
- ◆ Available in polished stainless or brushed stainless finish

### INSTALLATION

- ◆ Drill two holes with a hole saw, as specified for each cleat size in the chart below.
- ◆ Install cleat through holes in deck.
- ◆ Install external tooth lock washer (smooth side up) against the deck. The sharp edges should grab the nut flange and dig in.
- ◆ A thread lock product such as Loctite™ or similar product will insure that the nuts will not loosen.

### PRODUCT SPECIFICATIONS

PRODUCT #	460-4	460-6	460-8	460-10
Size	4 1/2"	6"	8"	10"
Weight	0.80 lbs.	1.2 lbs.	2.56 lbs.	3.5lbs.
"A" Length	4.5"	6"	8"	9.6"
"B" Width	1.15"	1.5"	2"	1.75"
"C" Depth	2.0"	2.3"	3.1"	3.1"
"D" Clearance	0.75"	1.0"	1.25"	1.3"
"E" Leg Distance	1.8"	2.4"	3.2"	4.0"
Hole Size	3/4"	7/8"	1 1/8"	1 1/8"
Max Line Size	1/2"	3/4"	1"	1"
Thread Size	3/4-16	7/8-14	1 1/2-14	1 1/8-12



# 490 STYLE PULL-UP CLEATS

## FEATURES

- ◆ Hand polished marine grade 316 stainless steel
- ◆ No cut-out required
- ◆ Mounded base allows water to run off the cleat

## INSTALLATION

- ◆ Drill two holes with a hole saw, as specified for each cleat size in the chart below.
- ◆ Install cleat through holes in deck
- ◆ Install external tooth lock washer (smooth side up) against the deck. The sharp edges should grab the nut flange and dig in.
- ◆ A thread lock product such as Loctite or similar product will insure that the nuts will not loosen.

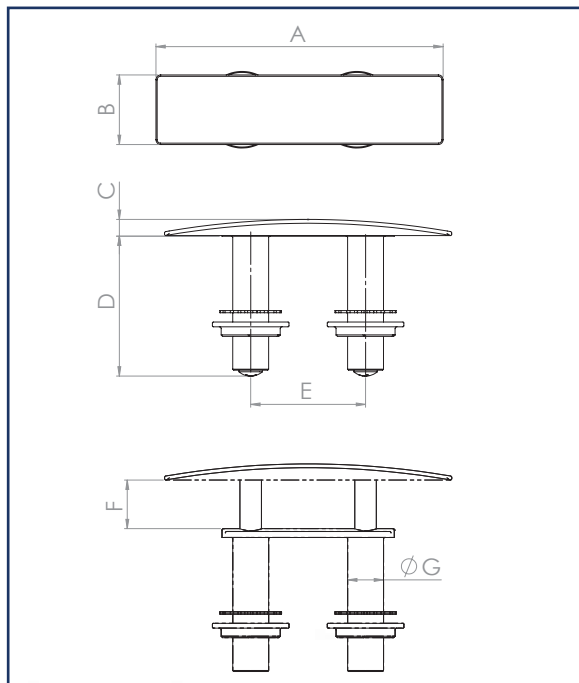
## PRODUCT SPECIFICATIONS

PRODUCT #	490-6	490-8	490-10
Size	6"	8"	10"
Weight	1.5 lbs.	2.5 lbs.	3.4 lbs.
"A" Length	6"	8"	10"
"B" Width	1.46"	1.62"	1.88"
"C" Depth	0.34"	0.45"	0.46"
"D" Clearance	2.92"	3.57"	3.67"
"E" Hole Distance	2.4"	3.2"	4"
"F" Hole Distance	1.02"	1.16"	1.26"
"G" Hole Distance	0.75"	1"	1.125"
Max Line Size	0.625"	0.75"	1"

PRODUCT # 490-6  
UP



PRODUCT # 490-6  
DOWN





## 209 SERIES MOORING CLEATS

### FEATURES

- ◆ Sealed base eliminates the need for a waterproofing cup, water can be drained through a fitting at the bottom of the unit.
- ◆ Can be converted to a lifting cleat by inserting a connecting rod in the base of the unit and attaching the rod to the bow eye.
- ◆ Made of marine grade 316 stainless steel.
- ◆ Available in four sizes: 4 1/2", 6", 8" & 10".
- ◆ 10" version available in both through bolt (visible screw holes) and stud-mount (no visible screw holes).

### INSTALLATION

- ◆ Each cleat is shipped with a backing plate which also serves as the cut-out template.
- ◆ Screws are not included (see chart for quantity and size).

### PRODUCT SPECIFICATIONS

PRODUCT #	209-4	209-6	209-8	209-10	209-10-S
Size	4 1/2"	6"	8"	10"	10"
Weight	1.0 lbs.	1.2 lbs.	2.2 lbs.	6.1 lbs.	6.3 lbs.
"A" Length	5 1/4"	7"	9"	11"	11"
"B" Width	1 7/8"	2 3/8"	2 3/4"	3 1/2"	3 1/2"
"C" Depth	2 3/4"	3 1/2"	4 3/4"	6 1/2"	6 1/2"
"D" Clearance	3/4"	1"	1 3/8"	1 1/2"	1 1/2"
"E" Hole Distance	1 3/4"	2 1/4"	2 3/4"	3"	3"
"F" Hole Distance	1 1/4"	1 1/2"	1 3/4"	2 1/4"	2 1/4"

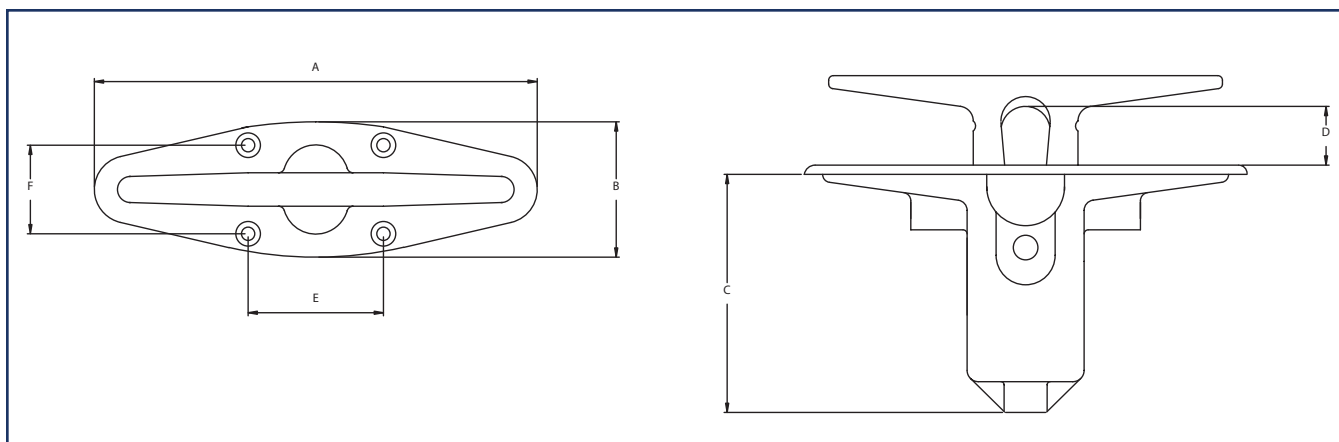
### SCREWS REQUIRED

Quantity	4	4	4	4	0
Diameter	3/16"	1/4"	1/4"	5/16"	N/A
Connecting Rod	7/16"	5/8"	5/8"	5/8"	5/8"

PRODUCT # 209-6  
UP



PRODUCT # 209-6  
DOWN



# TOP MOUNT PLATE & LIFTING CLEATS

## TOP-MOUNT BACKING PLATES FOR 209 SERIES MOORING CLEAT



NOT INTENDED FOR USE  
WHEN LIFTING

### PRODUCT # DESCRIPTION

<b>209-4-TMP</b>	4 1/2" Top mount backing plate
<b>209-6-TMP</b>	6" Top mount backing plate
<b>209-8-TMP</b>	8" Top mount backing plate
<b>209-10-TMP</b>	10" Top mount backing plate

### FEATURES

- ◆ Allows for easy installation from above the deck.
- ◆ No need for access below the deck.

### INSTALLATION

- ◆ Place the template (backing plate) in the desired location. Make sure that there is adequate clearance for the Pop-Up® or Pull-Up mechanism below the deck.
- ◆ Trace the cleat cut-out area and spot the small threaded hole. Do not spot the four mounting holes yet.
- ◆ Cut out the cleat installation area.
- ◆ Drill a 3/16" diameter hole for the #6 screw.
- ◆ Place cleat in cut-out and spot the four mounting holes.
- ◆ Remove the cleat and drill the four mounting holes.
- ◆ Place the backing plate through the cut-out and install the #6 screw through the deck into the backing plate. Be careful not to drop the backing plate down into the hull. Do not over tighten the #6 screw.
- ◆ Replace the cleat into the cut-out and install the four mounting screws through the cleat and deck into the backing plate.



**PLEASE SPECIFY ROD LENGTH  
WHEN ORDERING**

Standard rod length is 12" - there is an additional charge for a longer rod length.

## 209 SERIES LIFTING CLEATS

### PRODUCT # DESCRIPTION

<b>209-6-CA</b>	6" Lifting Cleat with hardware
<b>209-8-CA</b>	8" Lifting Cleat with hardware
<b>209-10-CA</b>	10" Lifting Cleat with hardware
<b>209-10-S-CA</b>	10" Lifting Cleat (stud mount) with hardware

### FEATURES

- ◆ Cleat is made of marine grade 316 stainless steel; lifting hardware is 304 stainless steel.
- ◆ Available in sizes: 6", 8" & 10".
- ◆ 10" version available in both through bolted (with visible screw holes) or stud mounted (with no visible screw holes).
- ◆ Test results available upon request.
- ◆ Comes with cleat, rod, sling, cross bar and bow eye.
- ◆ Lifting hardware may be purchased separately.

### INDEPENDENT LAB TEST RESULTS

The maximum working load is 4,000 pounds in the direction of the axis of the threaded rod shank only. Test results available upon request.



# ROUND LIFTING EYE

PRODUCT #	DESCRIPTION
203-EA	Complete lift eye assembly
203-LE	Lift Eye with base
203-LER	5/8-11 Rod for 203-EA (specify length if longer than 12")
203S	Sling (casting)
203CBR	Cross bar for sling
203BE	Bow Eye
203-XL-EA	Complete lift eye assembly
203-XL	Lift Eye with base
203-LERXL	3/4-10 Rod for 203-XL-EA (specify length if longer than 12")
203-S-XL	Sling (casting)
203CBR-XL	Cross bar for sling
203-XL-BP	Stainless Steel Backing Plate

## FEATURES

- ◆ All stainless steel parts; eye and base are 316, lifting hardware is 304.
- ◆ The sling is a solid casting for increased strength.
- ◆ Parts may be purchased separately.
- ◆ 2 3/8" diameter hole required for 203-LE, 3 1/4" hole for XL.
- ◆ 203-LE fastens to deck with four #10 screws, XL fastens to deck with four 1/4" screws.
- ◆ PLEASE SPECIFY ROD LENGTH WHEN ORDERING—  
Standard rod length is 12". Rods over 12" are an additional cost.



PRODUCT # 203-LE



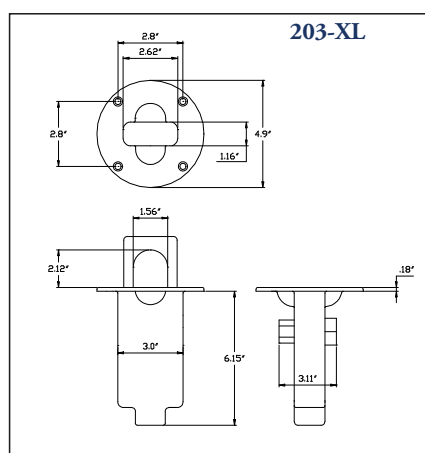
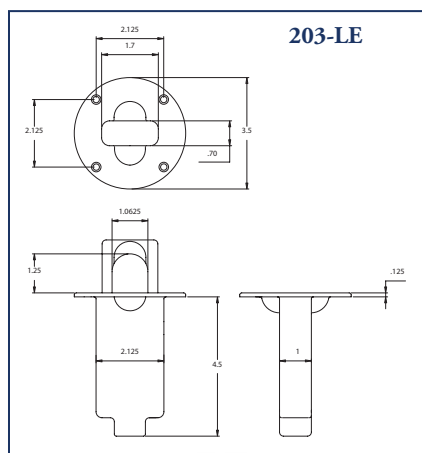
PRODUCT # 203-XL  
UP

## INDEPENDENT LAB TEST RESULTS FOR 203-EA

The maximum working load is 4,000 pounds in the direction of the axis of the threaded rod shank only. Test results available upon request.

## INDEPENDENT LAB TEST RESULTS FOR 203-XL-EA

When tested with grade 8 bolts, the bolts failed at 36,000 lbs. and the lifting eye was still useable. These test results are good in the direction of the axis of the threaded rod shank only. Test results available upon request.



PRODUCT # 203-EA

# OVAL LIFTING EYE



PRODUCT # 201-LE

PRODUCT #	DESCRIPTION
201-EA	Complete lift eye assembly
201-LE	Lift Eye with base
201-LER	Rod for 201-EA (specify length if longer than 12")
203S	Sling (casting)
203CBL	Cross bar for sling
203BE	Bow Eye

## FEATURES

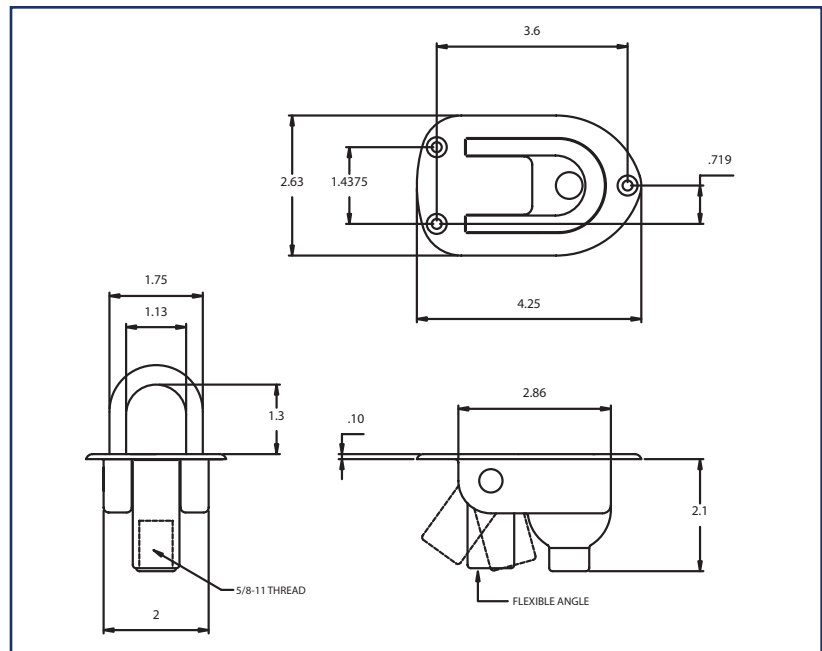
- ◆ Small compact unit.
- ◆ Unit can be drained or sealed water tight.
- ◆ Hub pivots two ways to overcome a slight misalignment at installation.
- ◆ All stainless steel parts; eye and base are 316, lifting hardware is 304.
- ◆ The sling is a solid casting for increased strength.
- ◆ Parts may be purchased separately.
- ◆ Requires less clearance under the deck than our lifting cleats.
- ◆ Fastens to deck with three #10 screws.
- ◆ PLEASE SPECIFY ROD LENGTH WHEN ORDERING—Standard rod length is 12". Rods over 12" are an additional cost.



PRODUCT # 201-EA

## INDEPENDENT LAB TEST RESULTS

The maximum working load is 4,000 pounds in the direction of the axis of the threaded rod shank only. Test results available upon request.



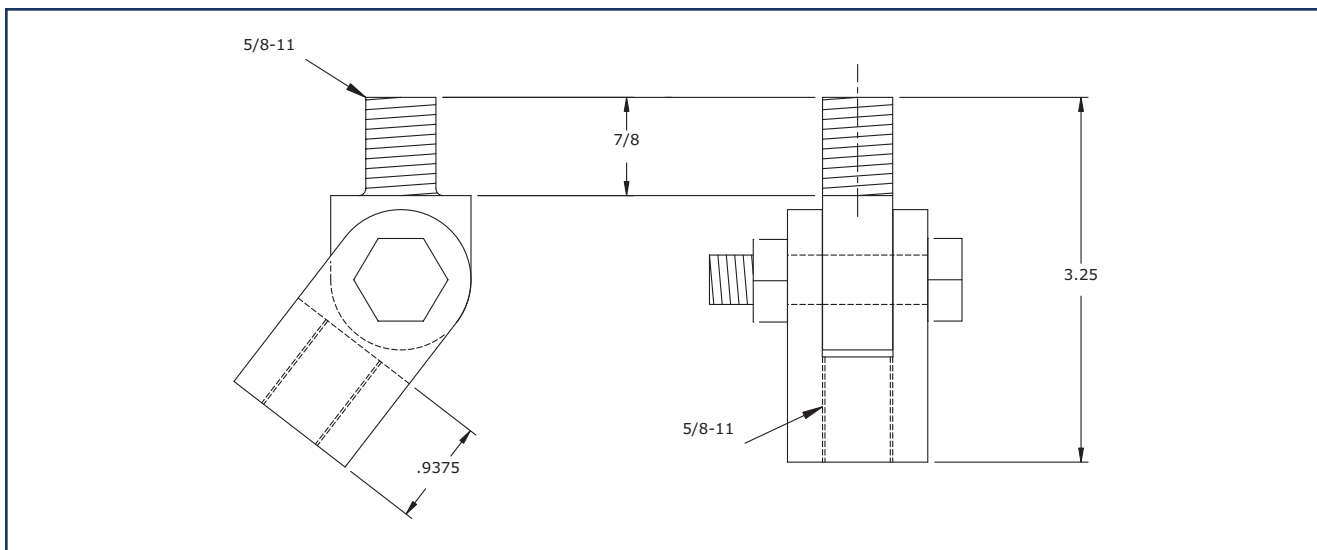
# NEW PIVOT ATTACHMENT FOR LIFTING CLEATS & EYES



## PIVOT ATTACHMENT —PART # 209-PA

### FEATURES

- ◆ For use with our Lifting Cleats and Lifting Eye assemblies.
- ◆ Allows for slight misalignment on installation of lifting hardware.
- ◆ The strongest installation is a straight vertical connection. Any deviance from this will add stress to the deck.
- ◆ All parts are stainless steel.





# LIFTING CLEAT



PRODUCT # 203-6-CB

PRODUCT #	DESCRIPTION
203-6-CA	Complete 6" lift cleat assembly
203-6-CB	Cleat with base
209-6-R	Rod for 203-6-CA (specify length if longer than 12")
203S	Sling (casting)
203CBL	Cross bar for sling
203BE	Bow Eye

## FEATURES

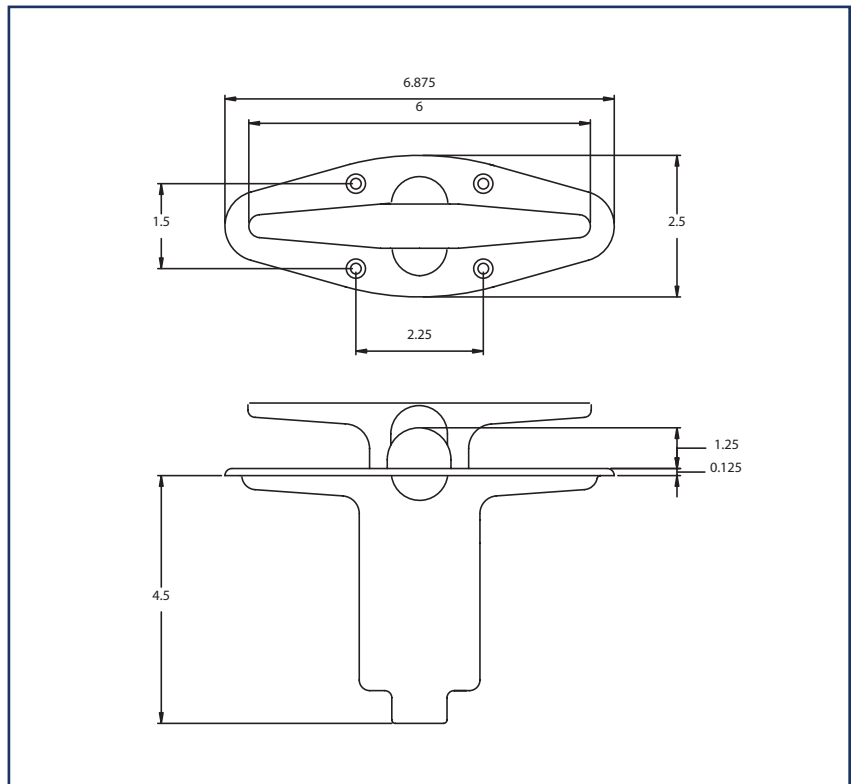
- ◆ All stainless steel parts; cleat and base are 316, lifting hardware is 304.
- ◆ The sling is a solid casting for increased strength.
- ◆ Parts may be purchased separately. A cut-out template is supplied.
- ◆ PLEASE SPECIFY ROD LENGTH WHEN ORDERING— Standard rod length is 12". Rods over 12" are an additional cost.
- ◆ Fastens to deck with four #10 screws

## INDEPENDENT LAB TEST RESULTS

The maximum working load is 4,000 pounds in the direction of the axis of the threaded rod shank only. Test results available upon request.



PRODUCT # 203-6-CA



# POP-UP® LIGHTS



PRODUCT # 204-M

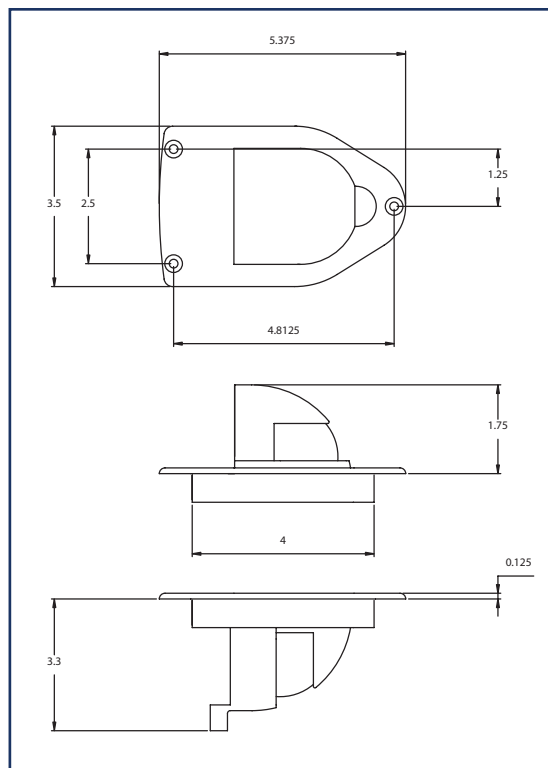
PRODUCT #	DESCRIPTION
204-M	Stainless Steel Pop-Up® Combination Bow Light
205-M	Stainless Steel Pop-Up® Port Light
206-M	Stainless Steel Pop-Up® Starboard Light
207-M	Set of Stainless Steel Pop-Up® Side Lights
204-MC	Optional Drain Cup for all lights.

## FEATURES

- ◆ Keeps deck free of protruding lights.
- ◆ Marine grade 316 stainless steel.
- ◆ Bow, port, starboard and side lights are available.
- ◆ Folds down flush when not in use.
- ◆ Uses a #78 bulb, 12 volts, 2.5 watts
- ◆ USCG approved 1 nautical mile.
- ◆ NMMA type accepted.
- ◆ Meets 72 Colregs.

## INSTALLATION

- ◆ Each light is supplied with a cut-out template.
- ◆ Use the supplied template to make a cut-out where the light will go.
- ◆ Fasten with three #10 screws (not included).



PRODUCT # 206-M



PRODUCT # 207-M



PRODUCT # 204-MC

# LED POP-UP® BOW LIGHT



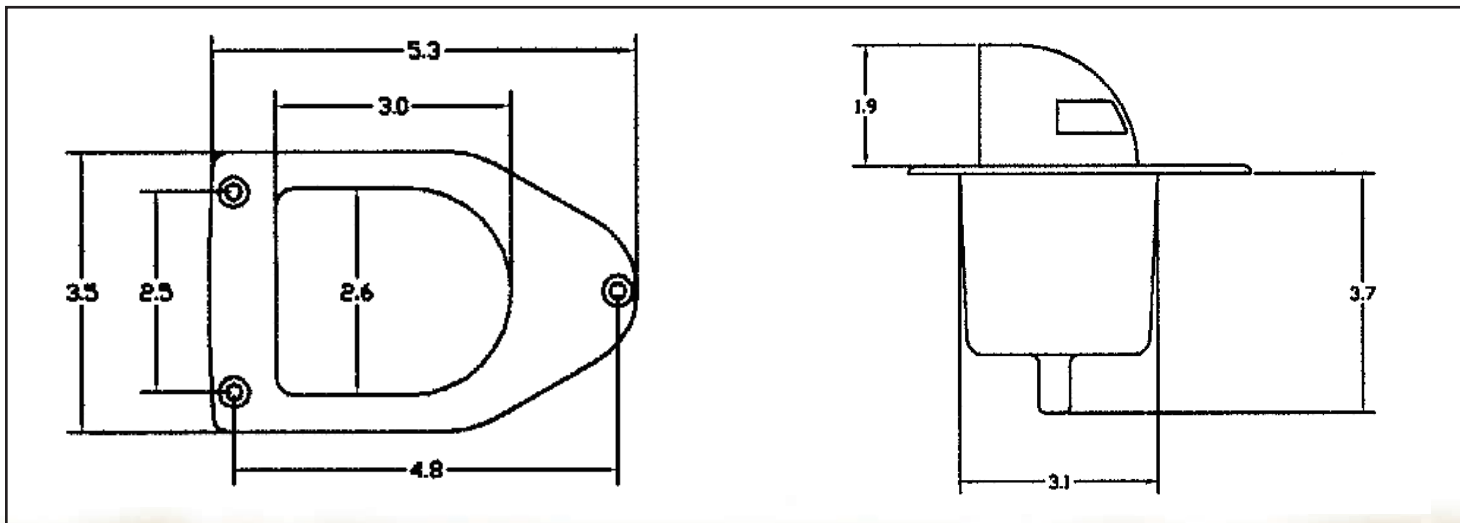
PRODUCT #	DESCRIPTION
211-M	Pop-Up® LED Bow Light
211-MC	Optional Waterproofing Cup

## FEATURES

- ◆ Fits in the same cut-out as our 204-M light for easy upgrading.
- ◆ USCG approved 2 nautical miles.
- ◆ Keeps deck free of protruding lights, folds down flush with deck when not in use.
- ◆ Made of marine grade 316 stainless steel.
- ◆ An optional plastic cup prevents unwanted water runoff below deck.
- ◆ 115 milli-amps.
- ◆ 211-MS Stud Length is 2".

## INSTALLATION

- ◆ Each light is supplied with a cut-out template.
- ◆ Use the supplied template to make a cut-out where the light will go.
- ◆ Fasten with three #10 screws (not included).





# LED POP-UP® BOW LIGHT



## POP-UP® LED BOW LIGHT

### PRODUCT # DESCRIPTION

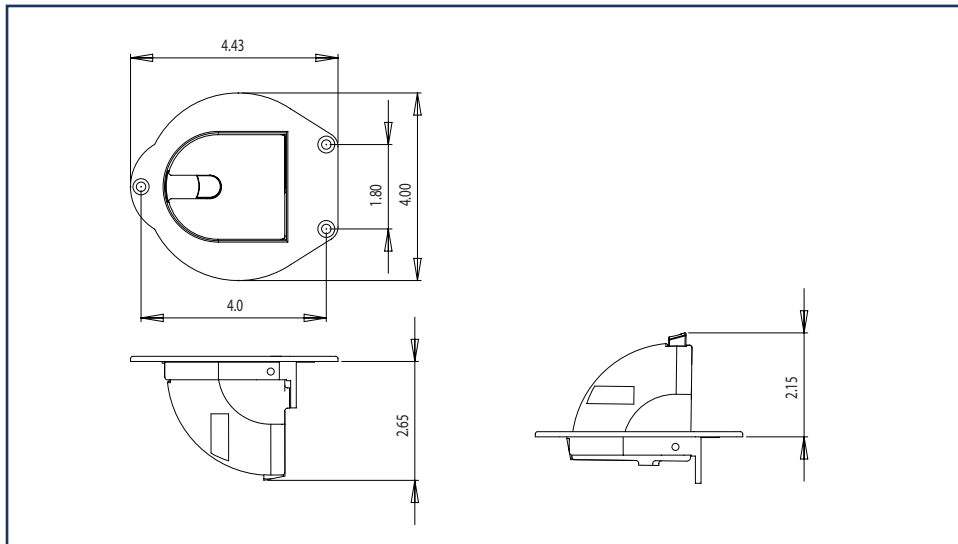
210-M	Pop-Up® LED Bow Light
210-M-C	Optional Waterproofing Cup
210-MS	Pop-Up® LED Bow Light - Stud Moun

### FEATURES

- ◆ USCG Approved 2 nautical miles.
- ◆ The only Pop-Up® LED light on the market.
- ◆ Keeps deck free of protruding lights, folds down flu with deck when not in use.
- ◆ Made of marine grade 316 stainless steel.
- ◆ An optional plastic cup prevents unwanted water runoff below deck.
- ◆ Available in stud-mount or though bolt versions.
- ◆ 210-MS Stud Length is 2".

### INSTALLATION

- ◆ Drill a 3 1/2" diameter hole using a hole saw.
- ◆ Fasten with three #10 screws (not included).



# SURFACE MOUNT FOLDING CHOCKS



PRODUCT #	DESCRIPTION
502-4	Set of 4.5" Folding Chocks
502-6	Set of 6" Folding Chock

## FEATURES

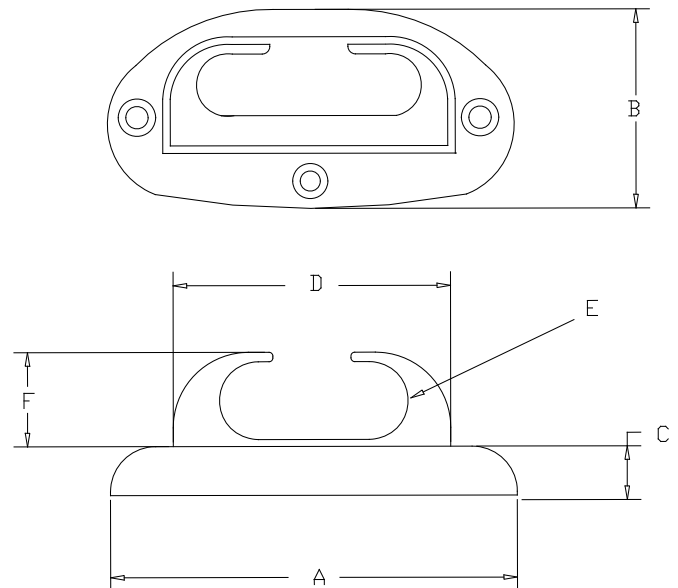
- ◆ Chock pulls up for use; press down when not needed to keep deck clutter-free.
- ◆ Marine Grade 316 Stainless Steel.
- ◆ Surface mount – No cut-out required.

## INSTALLATION

- ◆ Drill three holes and secure with screws.

## PRODUCT SPECIFICATIONS

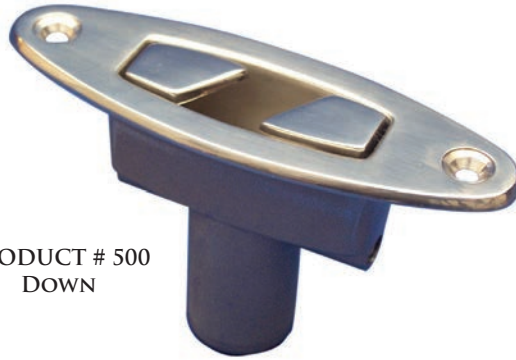
PRODUCT #	502-4	502-6
Size	4.5"	6"
"A" Length	3.8"	5.25"
"B" Width	2.4"	3.2"
"C" Height	0.5"	0.65"
"D" Width	2.4"	3.25"
"E" Radius	0.75"	1"
"F" Height	1"	1.25"
Max Line Size	5/8"	3/4"
<b>SCREWS REQUIRED</b>		
Quantity	3	3
Diameter	1/4"	5/16"



# LINE CHOCK



PRODUCT # 500  
UP



PRODUCT # 500  
DOWN

## PRODUCT # DESCRIPTION

<b>500</b>	4 1/2" Set of Port and Starboard Skene Chocks
<b>501</b>	4 1/2" Straight Stern Chock
<b>500-6</b>	6" Set of Port and Starboard Skene Chocks
<b>501-6</b>	6" Straight Stern Chock

## FEATURES

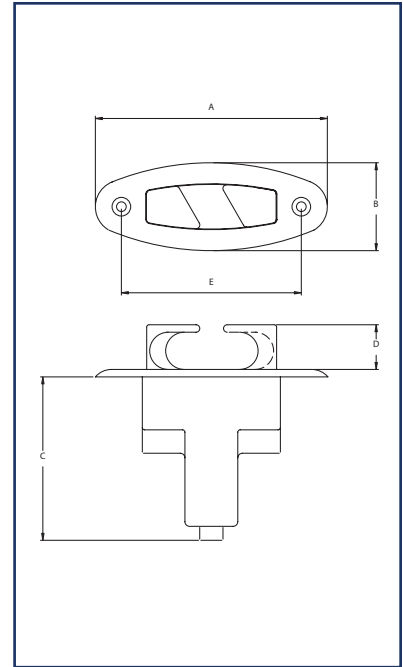
- ◆ Chock pulls up for use; press down when not needed to keep deck clutter-free.
- ◆ Marine Grade 316 Stainless Steel.
- ◆ Skene (port and starboard) and straight stern chocks are available.
- ◆ Drain fittings available upon request.

## INSTALLATION

- ◆ Each chock is supplied with a cut-out template.
- ◆ Use the supplied template to make a cut-out where the chock will go.
- ◆ Fasten with two #10 screws (500 & 501) or two 1/4" screws (500-6 & 501-6)
- ◆ Screws are not included.

## PRODUCT SPECIFICATIONS

PRODUCT #	500	501	500-6	501-6
<b>Size</b>	4 1/2"	4 1/2"	6"	6"
<b>Weight</b>	1.70 lbs.	0.82 lbs.	4.82 lbs.	2.30 lbs.
<b>"A" Length</b>	4 5/8"	4 5/8"	6 1/8"	6 1/8"
<b>"B" Width</b>	1 1/2"	1 1/2"	2 1/4"	2 1/4"
<b>"C" Depth</b>	3"	3"	4 1/2"	4 1/2"
<b>"D" Height</b>	3/4"	3/4"	1 1/8"	1 1/8"
<b>"E" Hole Distance</b>	3 3/4"	3 3/4"	5"	5"
<b>Thread Size</b>	1/4"	1/4"	1/4"	1/4"
<b>Max Line Size</b>	5/8"	5/8"	3/4"	3/4"

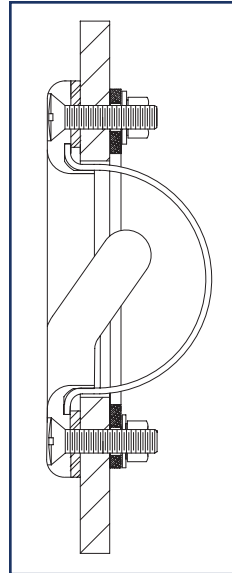




# SKI TOW & TIE DOWNS



SKI TOW  
PRODUCT # 198



## SKI TOW-

### FEATURES

- ◆ Keeps the transom clear of protruding ski tows.
- ◆ Four piece patented assembly consists of main body, sealing cup, backing plate and gasket.

### INSTALLATION

- ◆ Drill a 2 1/2-inch hole
- ◆ Attach with four 1/4-inch screws (not included)

### DIMENSIONS

- ◆ 3.5" L x 3.5" W x 1.25" Deep

## TIE DOWNS

### PRODUCT # DESCRIPTION

- |            |  |
|------------|--|
| <b>195</b> | Large Tie Down<br>(3.5" L x 3.5" W x 1.25" Deep) |
| <b>196</b> | Small Tie Down<br>(2" L x 2" W x 1" Deep)        |



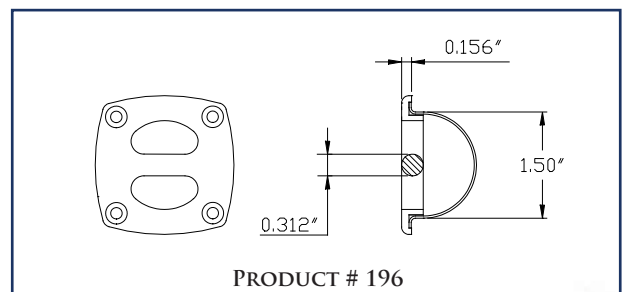
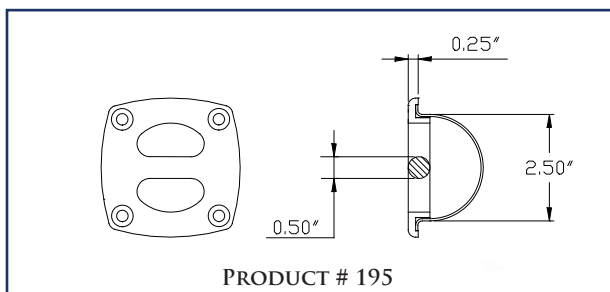
TIE DOWN  
PRODUCT # 195

### FEATURES

- ◆ May be used anywhere equipment must be secured to the deck—eg. poling platform, scuba gear, fenders, etc.
- ◆ Large size (#195) is also ideal for docks; small size (#196) is ideal for personal watercraft.
- ◆ Made of cast stainless steel.
- ◆ Assembly consists of main body and sealing cup.

### INSTALLATION

- ◆ For 195:
  - Drill a 2 1/2-inch hole.
  - Fasten with four 1/4-inch screws (not included).
- ◆ For 196:
  - Drill a 1 1/2-inch hole.
  - Fasten with four #8 screws (not included).



# QUICK RELEASE BIMINI HINGES TOP HINGES

## QUICK RELEASE BIMINI TOP HINGE

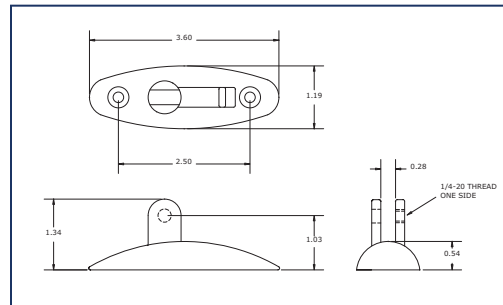
### FEATURES

- ◆ Low profile Quick Release 316 stainless steel hinge.
- ◆ Surface mount, no cut-outs are necessary.
- ◆ Easily remove or install top without having to keep track of screws and pins.
- ◆ The hinge snaps into base and stays attached to bimini when separated.

### INSTALLATION

- ◆ Installs with two #10 screws (not included)

PRODUCT #	DESCRIPTION
401	Quick release bimini hinge w/visible screw holes.
401-BM	Quick release bimini hinge-stud mount.



## SIDE MOUNT QUICK RELEASE BIMINI TOP HINGES

PRODUCT #	DESCRIPTION
401-7/8	Universal hinge post for 7/8" tubing
401-1	Universal hinge mount for 1" tubing

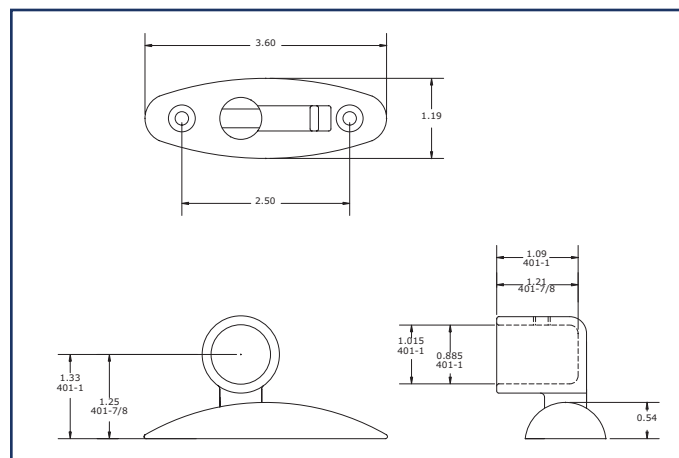


### FEATURES

- ◆ Low profile Quick Release 316 stainless steel hinge.
- ◆ Surface mount, no cut-outs are necessary.
- ◆ Easily remove or install top without having to keep track of screws and pins.
- ◆ Mounts sideways to accommodate bimini top for direct post mounting.
- ◆ The hinge snaps into base and stays attached to bimini when separated.

### INSTALLATION

- ◆ Installs with two #10 screws.



# SHIMS & GASKETS FOR QUICK RELEASE BIMINI HINGES

## CURVED SHIMS

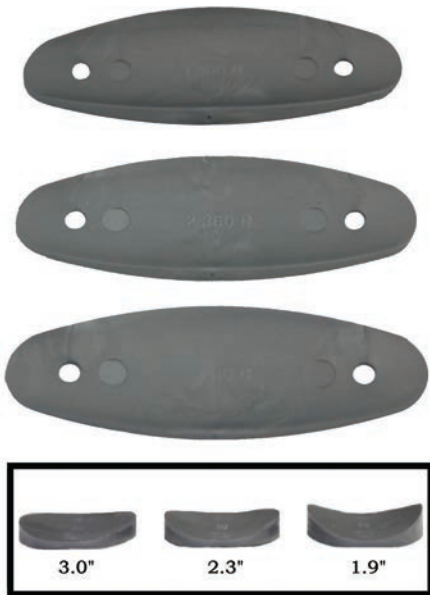
PRODUCT #	DESCRIPTION
401-S-1.9	1.9" Diameter Shim—Silver
401-S-1.9B	1.9" Diameter Shim—Black
401-S-2.36	2.36" Diameter Shim—Silver
401-S-2.36B	2.36" Diameter Shim—Black
401-S-3.0	3.0" Diameter Shim—Silver
401-S-3.0B	3.0" Diameter Shim—Black

### FEATURES

- ◆ Allows our Quick Release Bimini Hinges to be mounted to 1.9, 2.36, and 3.0 diameter tubing.
- ◆ Made in silver to match both stainless steel and aluminum.
- ◆ Made of UV-resistant plastic.
- ◆ For use with part numbers 401, 401-7/8, 401-1 & 415

### INSTALLATION

- ◆ Place on curved surface below bimini hinge and fasten with two #10 screws (not included).



## GASKETS

PRODUCT #	DESCRIPTION
401-GB	Rubber Gasket—Black
401-GW	Rubber Gasket—White

### FEATURES

- ◆ Creates a more finished look when mounting Quick Release bimini hinges.
- ◆ Available in white or black.
- ◆ For use with part numbers 401, 401-7/8, 401-1 & 415.
- ◆ Separates dissimilar metals.

### INSTALLATION

- ◆ Place below bimini hinge & fasten with two #10 screws (not included).



## SHIMS

PRODUCT #	DESCRIPTION
401-3SN	10° Shim—Neutral
401-3SB	10° Shim—Black

### FEATURES

- ◆ Allows our Quick Release Bimini Hinges to be mounted at a 10° angle. Use two shims for a 20° angle.
- ◆ Available in neutral or black.
- ◆ Made of UV-resistant plastic.
- ◆ For use with part numbers 401, 401-7/8, 401-1 & 415.

### INSTALLATION

- ◆ Place below bimini hinge & fasten with two #10 screws (not included)





# QUICK RELEASE BIMINI TOP HINGES

## FLUSH MOUNTED QUICK RELEASE HINGE

**PRODUCT # DESCRIPTION**  
402 Stainless Steel Quick Release Hinge

### FEATURES

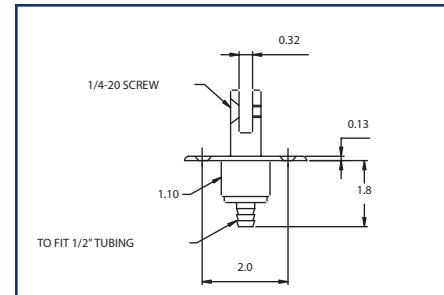
- ◆ Flush mounted Quick Release 316 stainless steel hinge.
- ◆ Easily remove or install top without having to keep track of screws and pins.
- ◆ The hinge snaps into base and stays attached to bimini when separated.
- ◆ Adapter can be inserted four different ways, 90° apart.

### INSTALLATION

- ◆ Requires drilling a 1-1/8" diameter hole.
- ◆ If draining is required, remove the set screw on bottom of fitting.
- ◆ Fasten with two #8 flat-head screws.

### DIMENSIONS

- ◆ 1.5" W x 2.75" L



## RAIL MOUNT QUICK RELEASE HINGE

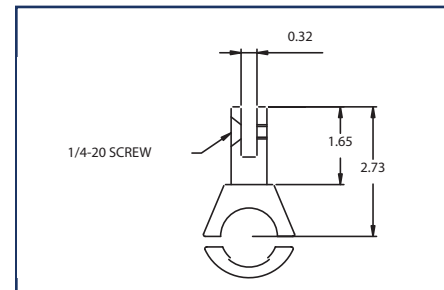
**PRODUCT # DESCRIPTION**  
403 Stainless Steel Quick Release Hinge

### FEATURES

- ◆ Allows the Quick Release bimini top hinge to be mounted on a railing, allowing for more versatility.
- ◆ Fits 7/8" and 1" rail.
- ◆ Easily remove or install top without having to keep track of screws and pins.
- ◆ The hinge snaps into base and stays attached to bimini when separated.
- ◆ Adapter can be inserted four different ways, 90° apart.

### INSTALLATION

- ◆ Just slide fitting into position and fasten with two #10 screws (not included).



# QUICK RELEASE BIMINI TOP HINGES



## SURFACE MOUNT QUICK RELEASE HINGE

**PRODUCT # DESCRIPTION**  
**404** Stainless Steel Quick Release Hinge

### FEATURES

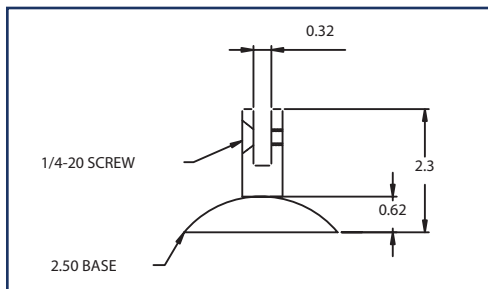
- ◆ Surface mount Quick Release 316 stainless steel hinge—no cutouts necessary.
- ◆ New round design fits more with the shape of the boat.
- ◆ Easily remove or install top without having to keep track of screws and pins.
- ◆ The hinge snaps into base and stays attached to bimini when separated.
- ◆ Adapter can be inserted four different ways, 90° apart.

### INSTALLATION

- ◆ Fasten to deck with three #8 screws.

### DIMENSIONS

- ◆ 2-1/2" Round x 5/8" High



## FLUSH MOUNT QUICK RELEASE HINGE

**PRODUCT # DESCRIPTION**  
**405** Stainless Steel Quick Release Hinge

### FEATURES

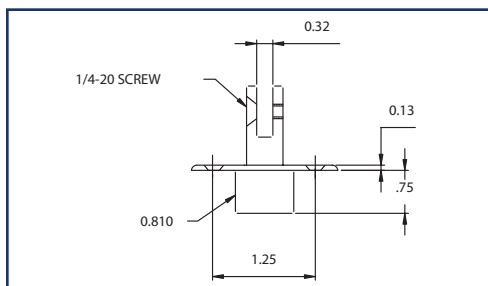
- ◆ Flush mounted Quick Release 316 stainless steel hinge.
- ◆ Designed to be installed on 1 1/4" square tubing, used primarily by pontoon builders.
- ◆ Can also be installed in other areas.
- ◆ Easily remove or install top without having to keep track of screws and pins.
- ◆ The hinge snaps into the base and stays attached to bimini when separated.
- ◆ Adapter can be inserted four different ways, 90° apart.

### INSTALLATION

- ◆ Requires drilling a 13/16" diameter hole.
- ◆ Fasten with two #8 screws.

### DIMENSIONS

- ◆ 2.5" L x .97" W



## QUICK RELEASE BIMINI TOP HINGES

### ROUND TUBE ADAPTER QUICK RELEASE HINGE

#### FEATURES

- ◆ Surface mount, no cut-out required.
- ◆ Quick Release 316 stainless steel hinge.
- ◆ Tube adapter fits 1" bimini tops, flag poles or straight handrails.
- ◆ Easily remove or install top without having to keep track of screws and pins.
- ◆ The hinge snaps into base and stays attached to bimini when separated.

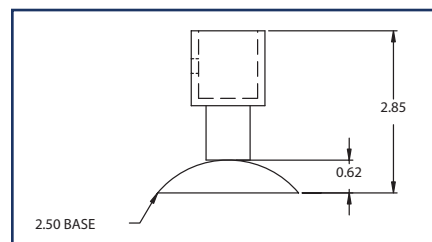
#### INSTALLATION

- ◆ Fasten to deck with two #8 screws (not included).

#### DIMENSIONS

- ◆ 2.5" Round x 5/8" High

PRODUCT # 411



### FLUSH TUBE ADAPTOR QUICK RELEASE HINGE

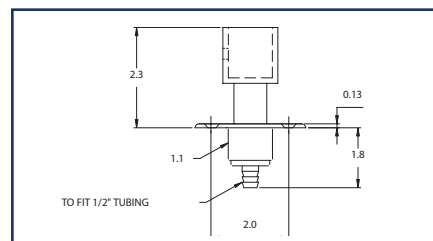
#### FEATURES

- ◆ Flush mounted, Quick Release 316 stainless steel hinge.
- ◆ Tube adaptor fits 1" bimini tops, flag poles or straight handrails.
- ◆ Easily remove or install top without having to keep track of screws and pins.
- ◆ The hinge snaps into base and stays attached to bimini when separated.

#### INSTALLATION

- ◆ Requires drilling a 1-1/8" diameter hole.
- ◆ If draining is required, remove set screw on bottom of fitting.

PRODUCT # 412

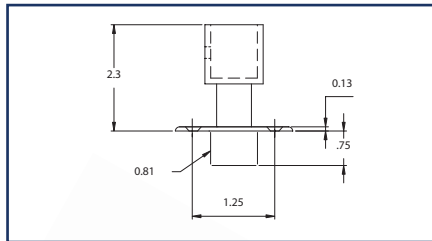




# QUICK RELEASE BIMINI TOP HINGES



PRODUCT # 413



## SMALL FLUSH TUBE ADAPTOR QUICK RELEASE HINGE

### FEATURES

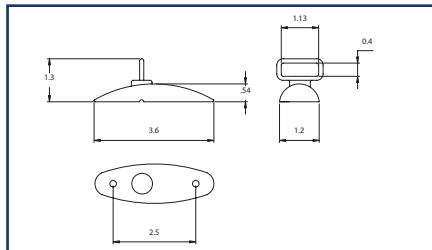
- ◆ Flush mount Quick Release 316 stainless steel hinge.
- ◆ Tube adaptor fits 1" bimini tops, flag poles or straight handrails.
- ◆ Can be used on square tubing.
- ◆ No drain.
- ◆ Easily remove or install top without having to keep track of screws and pins.
- ◆ The hinge snaps into base and stays attached to bimini when separated.

### INSTALLATION

- ◆ Requires drilling a 13/16" diameter hole.
- ◆ Fasten with two #8 screws (not included).



PRODUCT # 415



## QUICK RELEASE HINGE FOR STRAPS

### FEATURES

- ◆ Low profile Quick Release 316 stainless steel hinge.
- ◆ Surface mount, no cut-outs necessary.
- ◆ Holds down bimini straps.
- ◆ Easily remove or install top without having to keep track of screws and pins.
- ◆ The hinge snaps into the base and stays attached to bimini when separated.

### INSTALLATION

- ◆ Fasten to deck with two #10 screws (not included).

# QUICK RELEASE FENDER HANGERS & EYE ENDS

PRODUCT #	DESCRIPTION
401-R-5	0.5" Diameter Fender Hanger
401-R-1	1" Diameter Fender Hanger

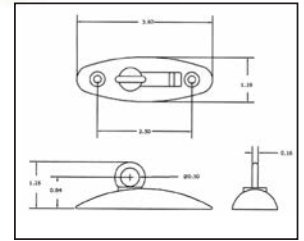
## FEATURES

- ◆ Low profile Quick Release 316 stainless steel hinge.
- ◆ Surface mount, no cut-outs are necessary.
- ◆ Eliminates the need for repetitive tying and untying.
- ◆ The hinge snaps into the base and stays attached to the fender when separated.

## INSTALLATION

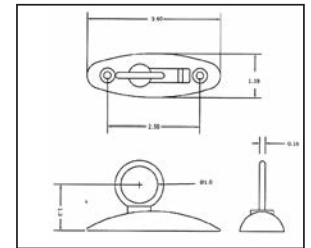
- ◆ Fasten with two #10 screws.

PRODUCT # 401-R-5



PRODUCT # 401-R-5

PRODUCT # 401-R-1



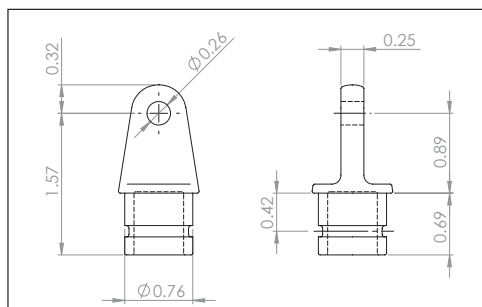
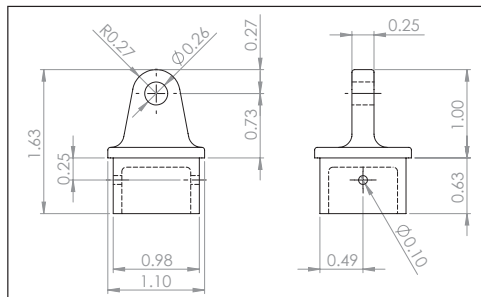
PRODUCT # 401-R-1

## SQUARE EYE ENDS

PRODUCT #	DESCRIPTION
430	1 1/4" SS Square Eye End
431	1 1/8" SS Square Eye End
432	1" SS Square Eye End
433	1 1/2" SS Round Eye End

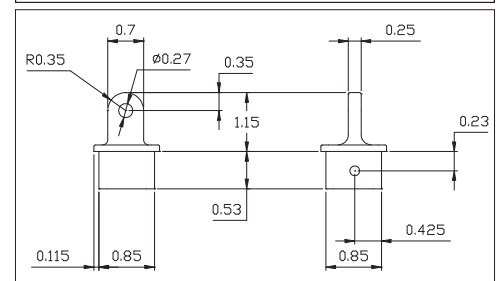
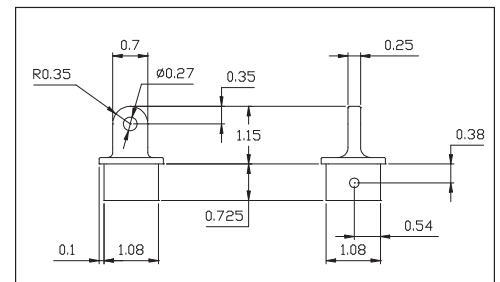


PRODUCT # 431



PRODUCT # 433

PRODUCT # 430



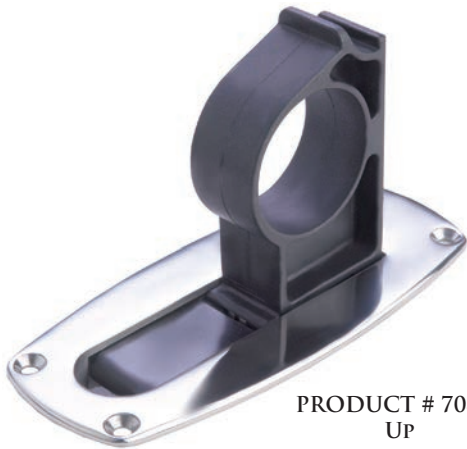
PRODUCT # 432

# PUSH POLE HOLDERS

PRODUCT # 708  
DOWN



PRODUCT # 708  
UP



PRODUCT # 708-R  
UP



## PUSH POLE HOLDER

**PRODUCT #**  
708  
708-R  
708-C

### DESCRIPTION

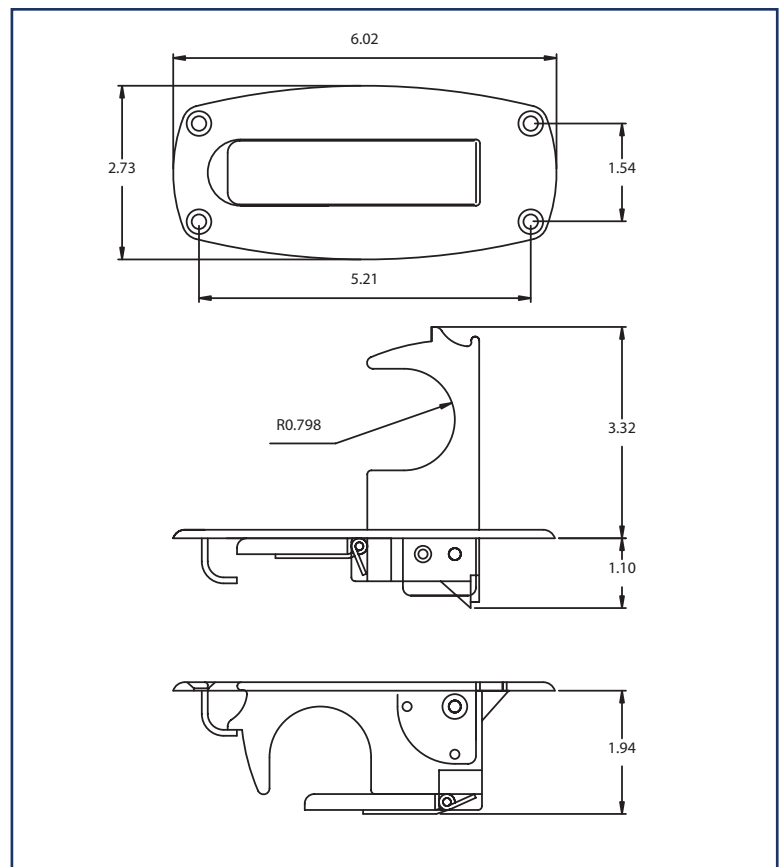
Flush Mount Push Pole Holder  
Flush Mount Ring Pole Holder  
Waterproofing Cup for Push Pole Holder

### FEATURES

- ◆ Folds down flush when not in use.
- ◆ Pole sits 11/16" off of deck—no need for a riser shim under the push pole holder.
- ◆ Cast 316 stainless steel and UV resistant glass filled nylon construction.
- ◆ Use three push pole holders (install middle one in opposite direction) or 2 push pole holders and one ring pole holder.

### INSTALLATION

- ◆ Cut a 4 13/16" x 1 3/8" opening.
- ◆ Attach with four #10 screws (not included).





## PUSH POLE HOLDERS



### FOLDING PUSH POLE HOLDER

#### PRODUCT # DESCRIPTION

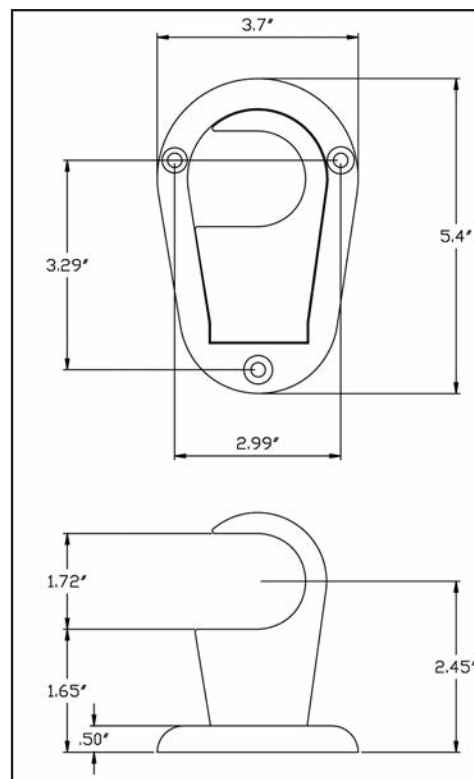
710 Surface Mount Folding Push Pole Holder

#### FEATURES

- ◆ Pole holders pull up for use; press down when not needed to keep deck clutter-free.
- ◆ Marine grade 316 Stainless Steel and UV resistant glass filled nylon construction.
- ◆ Surface mount, no cut-outs are necessary.
- ◆ 0.65 lbs.

#### INSTALLATION

- ◆ Drill three holes and secure with three #10 screws.



## DRINK HOLDERS



PRODUCT #401-W-SDH



PRODUCT #401-W-DDH

### PRODUCT #

401-W-SDH

401-W-DDH

401-SDH

401-DDH

### DESCRIPTION

SS Single Drink Holder with Base

SS Double Drink Holder with Base

SS Single Drink Holder without Base

SS Double Drink Holder without Base

### FEATURES

- ◆ Made of marine grade 316 stainless steel or marine grade aluminum.
- ◆ Easily removes when not needed, simply snap back into place when needed again.
- ◆ Available in single or double styles.
- ◆ Surface mount, no cut-outs are necessary.
- ◆ Vertical Mounts available.
- ◆ 3.5" diameter opening

### INSTALLATION

- ◆ Installs with two #10 screws (not included).

## INTERNATIONAL DISTRIBUTORS

Please find below a list of our International distributors by country. If your country is not listed, or your distributor does not carry a particular product, please contact Accon Marine directly.

### Canada

Hutchings Marine Products  
1594 Winhara Road  
Gravenhurst, ON P1P 1R0  
Telephone: 705-684-9709  
Fax: 705-684-9325  
Email: hutching@vianet.on.ca  
Website: www.hutchingsmarine.com

Western Marine Company  
1494 Powell Street  
Vancouver, BC V5L 5B5  
Telephone: 800-663-0600  
Fax: 800-663-6790  
Email: sales@westernmarine.com  
Website: www.westernmarine.com

### France

EAMS Yacht Tender Center  
776, route de La Mer - Z.I. du Pré Catelan  
Telephone: 0033 (0)493656355  
Fax: 0033 (0)493651999  
Website: www.eams.fr

### Germany

Pfeiffer Marine GmbH  
Josef-Bosch-Str. 4  
78315 Radolfzell  
Telephone: 0049-7732-99500  
Fax: 0049-7732-995050  
Email: info@pfeiffer-marine.de  
Website: www.pfeiffer-marine.de

### Italy

GA MAR s.r.l.  
Via A. Righi 13  
80125 Napoli  
Telephone: +39 0815707007  
Fax: +39815704441  
Email: info@gamaronline.com  
Website: www.gamaronline.com

### Netherlands

Belship B.V.  
Krommewetering 61A  
3543 AM Utrecht  
Telephone: +31(0)302408040  
Fax: +31(0)302408041  
Email: team@belship.nl  
Website: www.belship.nl

### New Zealand

SO-PAC Marine LTD.  
41C William Pickering Drive  
Rosedale 0632, Auckland  
Telephone: +64-9-448-5900  
Fax: +64-9-448-5911  
Email: info@sopac.co.nz  
Website: www.sopac.co.nz

### Norway

Telmo Controls  
PO Box 2906 Toyen  
0608 Oslo  
Telephone: +47 23 18 02 10  
Fax: +47 23 18 08 11  
Email: postmaster@telmo.no  
Website: www.telmo.no

### Spain

Commercial Ruperez Nautica SRL  
Pol. Ind. Feliu Vila - C/Marina No. 3  
08338 Premia De Dalt  
Barcelona  
Telephone: 34-93-752.90.88  
Fax: 34-93-752.90-89  
Email: correo@ruperez-nautica.com  
Website: www.ruperez-nautica.com

### United Kingdom

C. Quip Limited  
8 Fulcrum One  
Solent Way  
Whiteley  
Hampshire PO15 7FE  
Telephone: +44 (0)845 2266953  
Fax: +44 (0)845-2269133  
Email: info@cquip.com  
Website: www.cquip.com

### Venezuela

Promarine - Inversiones (Pronautica CA)  
Avenida Intercomunal  
Desarrollo Vega Arriba Calle 4  
Guatire Edo Miranda  
Telephone: 582123810890  
Email: promarine@cantv.net  
Website: www.tulanca.com/promarine





## DID YOU FIND THE PRODUCT YOU WERE LOOKING FOR?

*Have you looked in every marine hardware catalog that exists but you can't find the exact product you need?* Then call and tell us – chances are that we may be able to modify an existing product to meet your specific needs, or possibly design a new product to meet those requirements. Chances are that others in the industry may be looking for the same type of product. All of the products in this catalog were designed to meet specific needs within the marine industry – many were based on our customers' suggestions.

## INTERNATIONAL ORDERING

**Accon Marine** products are available worldwide through our network of international distributors. Please call, write or visit our website at [www.acconmarine.com](http://www.acconmarine.com) for the distributor serving your country.

## IN THE UNITED STATES

**Accon Marine** products are also available through numerous wholesale and retail distributors throughout the U.S. Please call, write or visit our website for the distributor or retailer in your area.

# Accon Marine

SUPERIOR QUALITY FLUSH-MOUNTED MARINE HARDWARE & ACCESSORIES

Phone 727.572.9202 • E-mail [info@acconmarine.com](mailto:info@acconmarine.com)

13665 Automobile Blvd., Clearwater, FL 33762

[www.ACCONMARINE.com](http://www.ACCONMARINE.com)

