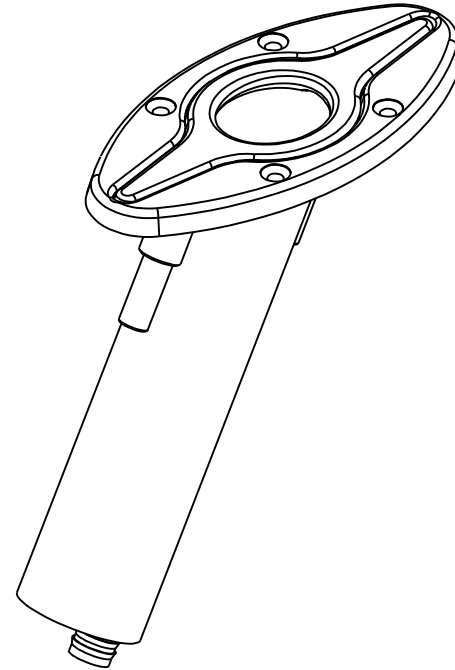
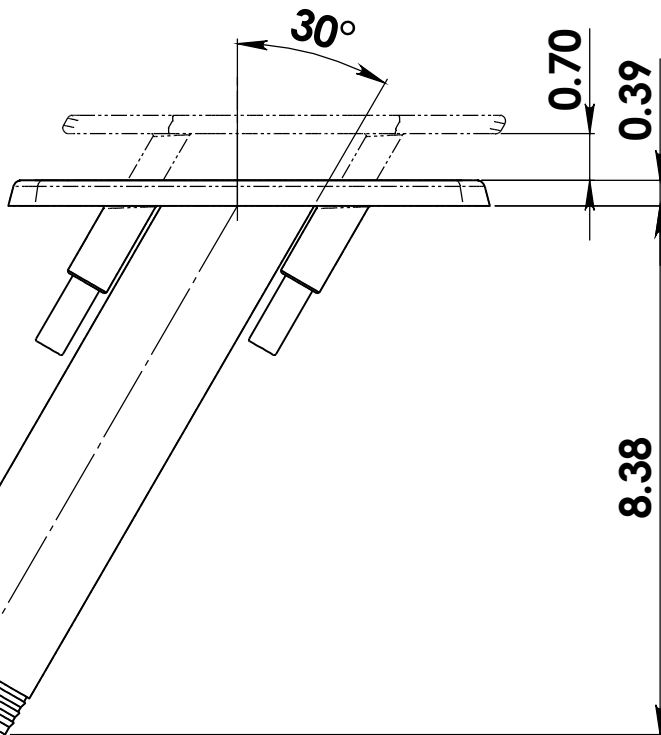
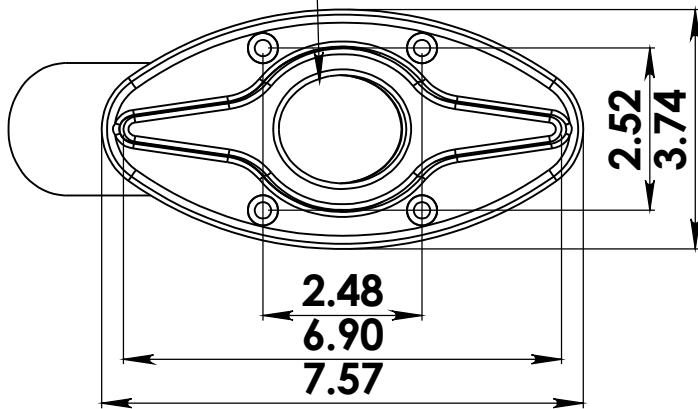


TRUE DIA 1.70



UNLESS OTHERWISE SPECIFIED: DIMENSIONS ARE IN MILLIMETERS			FINISH: POLISHED			DEBUR AND BREAK SHARP EDGES			DO NOT SCALE DRAWING		REVISION	
SURFACE FINISH:									ACCON MARINE, LLC.			
TOLERANCES:									TITLE:			
LINEAR:									9814-6-30-CATALOG			
ANGULAR:									DWG. NO. 9814-6-30-CATALOG			
DRAWN:			NAME			SIGNATURE			DATE			A3
CHK'D:			-			-			4.15			
APP'VD:			-			-			-			
MFG:			-			-			-			
Q.A.:			-			-			-			
						MATERIAL:			316 S.S.			
						WEIGHT: ±15%			SCALE: 1:3			SHEET 1 OF 1

This document may be out-of-date because it has file references that may have been updated. (more...)