

4

3

2

1

8.00

1.62

0.46

3.42

3.20

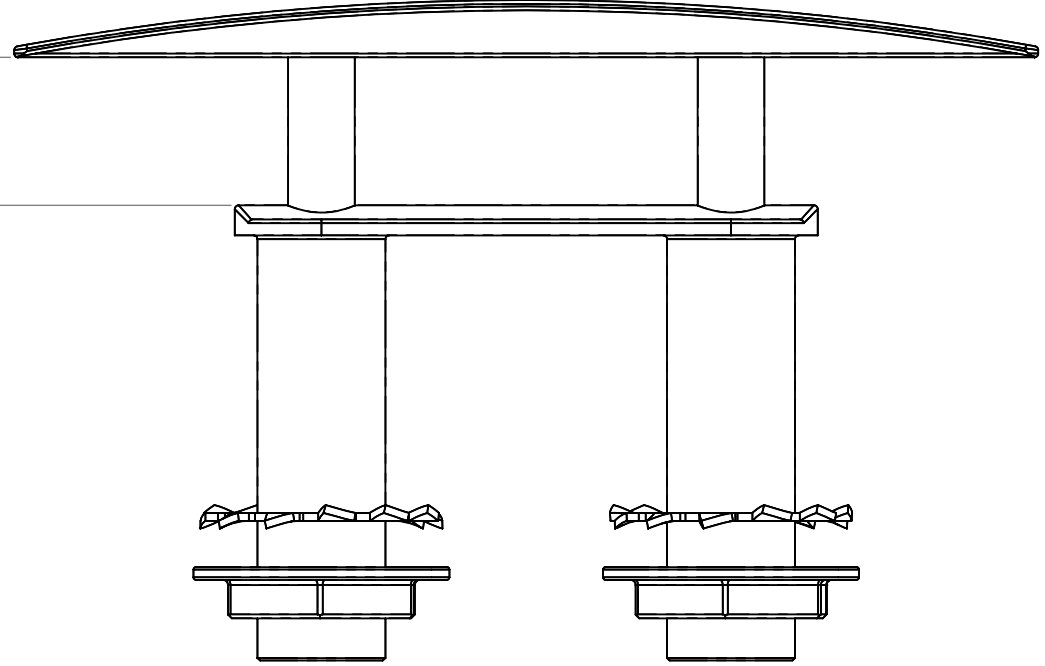
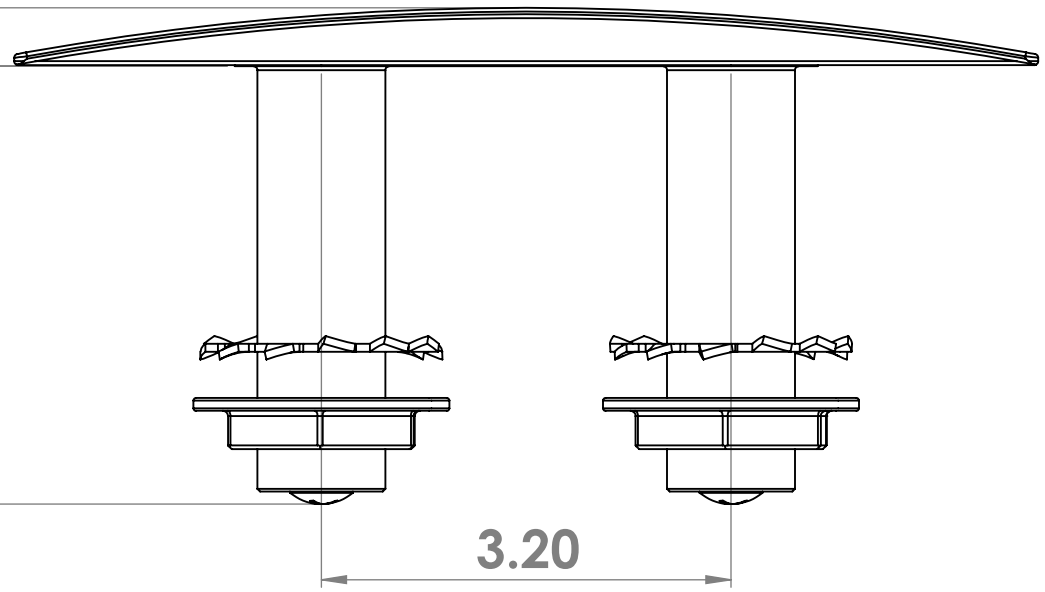
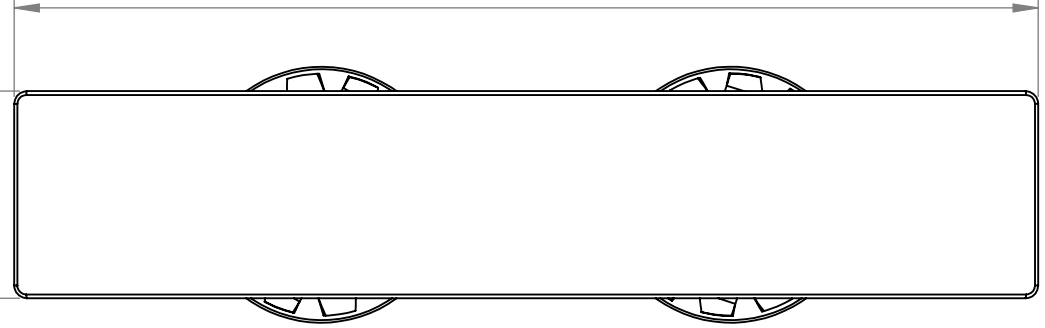
1.16

B

B

A

A



PROPRIETARY AND CONFIDENTIAL
 THE INFORMATION CONTAINED IN THIS DRAWING IS THE SOLE PROPERTY OF ACCON MARINE, LLC.. ANY REPRODUCTION IN PART OR AS A WHOLE WITHOUT THE WRITTEN PERMISSION OF ACCON MARINE, LLC. IS PROHIBITED.

		UNLESS OTHERWISE SPECIFIED:		NAME	DATE	ACCON MARINE, LLC.	
		DIMENSIONS ARE IN INCHES		DRAWN	MARC	TITLE:	
		TOLERANCES:		CHECKED		490-8-WEBSITE	
		FRACTIONAL ±		ENG APPR.		SIZE	DWG. NO.
		ANGULAR: MACH ± BEND ±		MFG APPR.		B	490-8-WEBSITE
		TWO PLACE DECIMAL ±		Q.A.		SCALE: 1:1.5	WEIGHT:
		THREE PLACE DECIMAL ±		COMMENTS:			SHEET 1 OF 1
		INTERPRET GEOMETRIC TOLERANCING PER:					
		MATERIAL					
		316 S.S.					
		FINISH					
		POLISHED					
NEXT ASSY	USED ON	APPLICATION		DO NOT SCALE DRAWING			

4

3

2

1