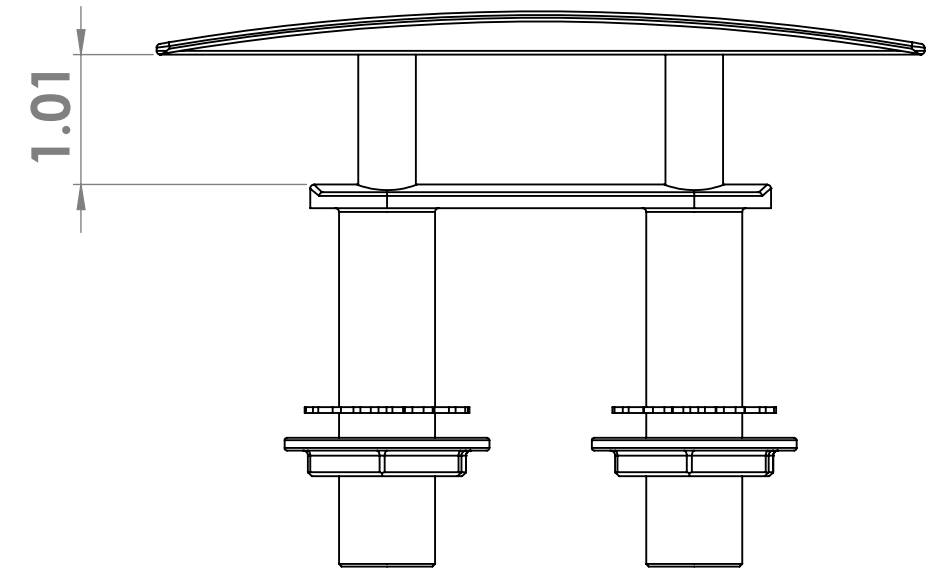
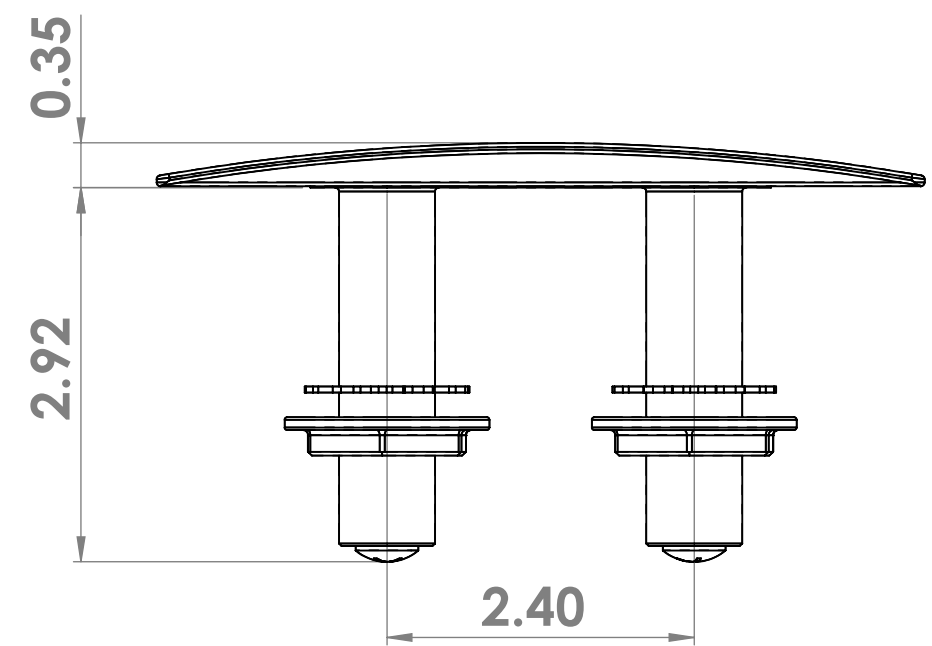
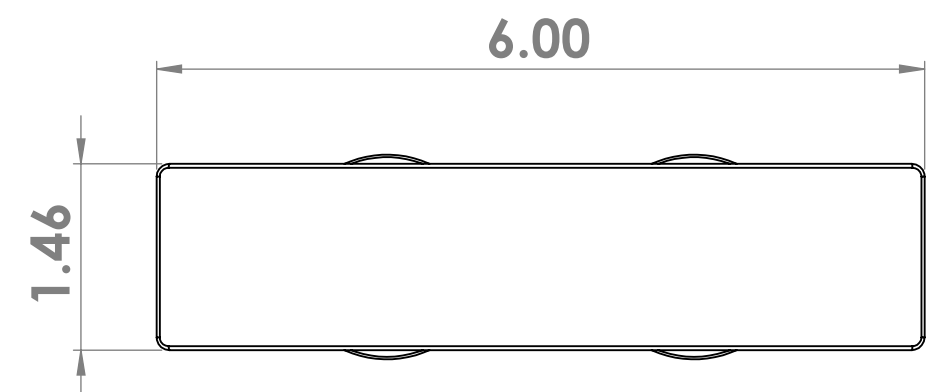


4

3

2

1



PROPRIETARY AND CONFIDENTIAL
 THE INFORMATION CONTAINED IN THIS DRAWING IS THE SOLE PROPERTY OF ACCON MARINE, LLC.. ANY REPRODUCTION IN PART OR AS A WHOLE WITHOUT THE WRITTEN PERMISSION OF ACCON MARINE, LLC. IS PROHIBITED.

		UNLESS OTHERWISE SPECIFIED:		NAME	DATE	ACCON MARINE, LLC.	
		DIMENSIONS ARE IN INCHES TOLERANCES: FRACTIONAL ± ANGULAR: MACH ± BEND ± TWO PLACE DECIMAL ± THREE PLACE DECIMAL ±		DRAWN	MARC		
		INTERPRET GEOMETRIC TOLERANCING PER:		CHECKED		TITLE: 490-6-WEBSITE	
		MATERIAL 316 S.S.		ENG APPR.			
NEXT ASSY		USED ON		MFG APPR.		SIZE DWG. NO. REV	
APPLICATION		DO NOT SCALE DRAWING		Q.A.		B 490-6-WEBSITE	
				COMMENTS:		SCALE: 1:1.5 WEIGHT: SHEET 1 OF 1	

4

3

2

1

B

B

A

A