

4

3

2

1

10.00

1.88

0.47

3.55

4.00

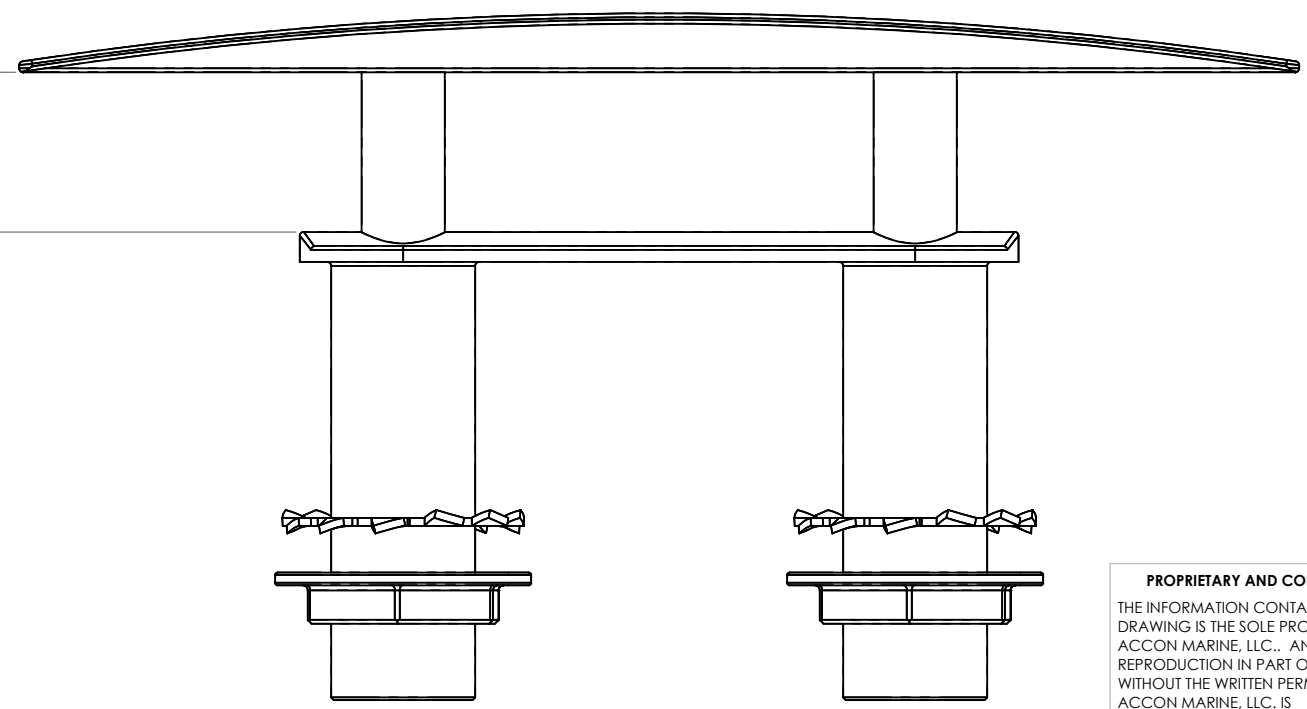
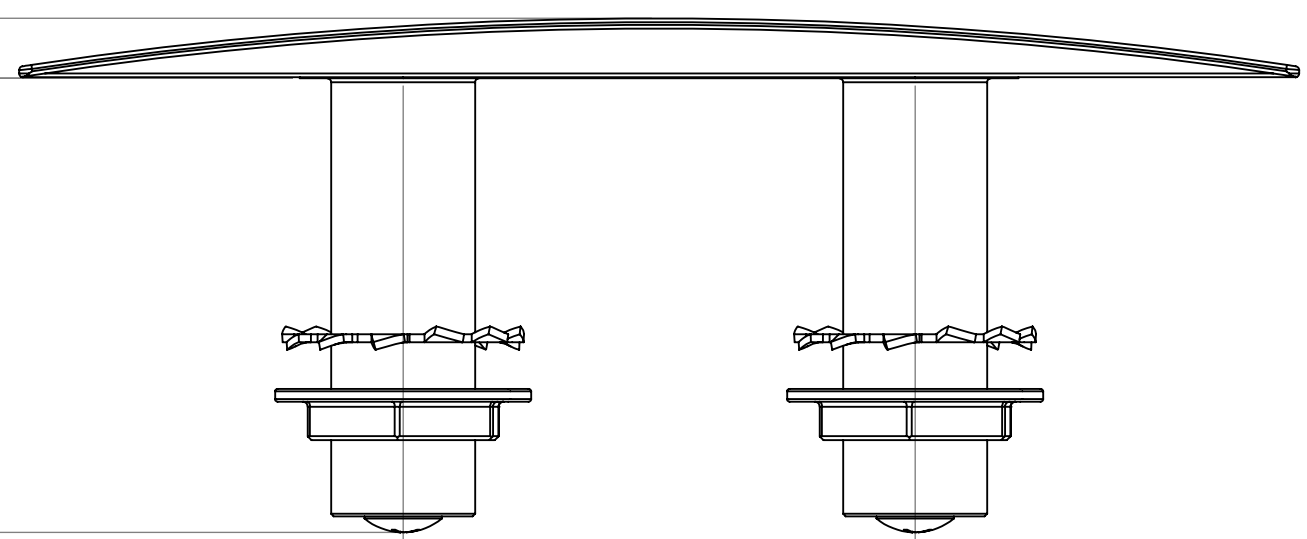
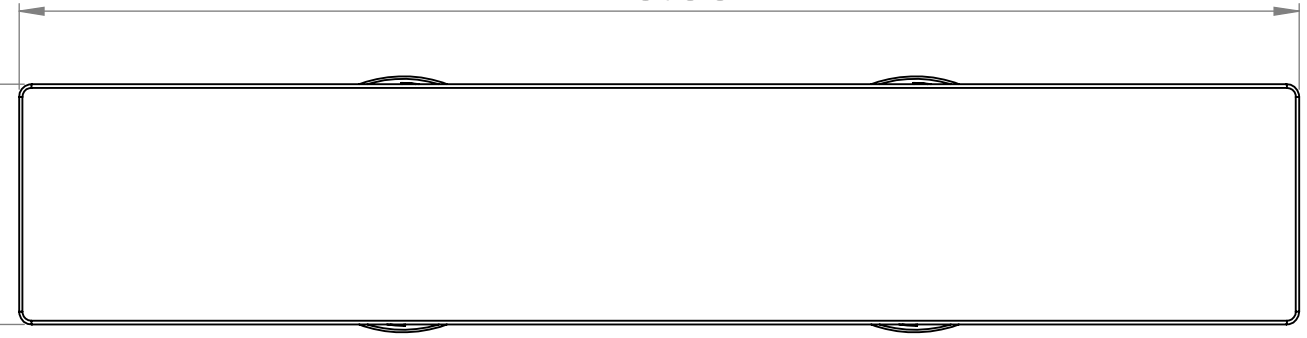
1.25

B

B

A

A



PROPRIETARY AND CONFIDENTIAL
 THE INFORMATION CONTAINED IN THIS DRAWING IS THE SOLE PROPERTY OF ACCON MARINE, LLC.. ANY REPRODUCTION IN PART OR AS A WHOLE WITHOUT THE WRITTEN PERMISSION OF ACCON MARINE, LLC. IS PROHIBITED.

		UNLESS OTHERWISE SPECIFIED:		NAME	DATE	ACCON MARINE, LLC.	
		DIMENSIONS ARE IN INCHES		DRAWN	MARC		
		TOLERANCES:		CHECKED			TITLE: 490-10-WEBSITE
		FRACTIONAL ±		ENG APPR.			
		ANGULAR: MACH ± BEND ±		MFG APPR.			
		TWO PLACE DECIMAL ±		Q.A.			SIZE DWG. NO. REV B 490-10-WEBSITE
		THREE PLACE DECIMAL ±		COMMENTS:			
		INTERPRET GEOMETRIC TOLERANCING PER:					SCALE: 1:1.5 WEIGHT: SHEET 1 OF 1
		MATERIAL		316 S.S.			
		FINISH		POLISHED			
NEXT ASSY	USED ON	APPLICATION		DO NOT SCALE DRAWING			

4

3

2

1