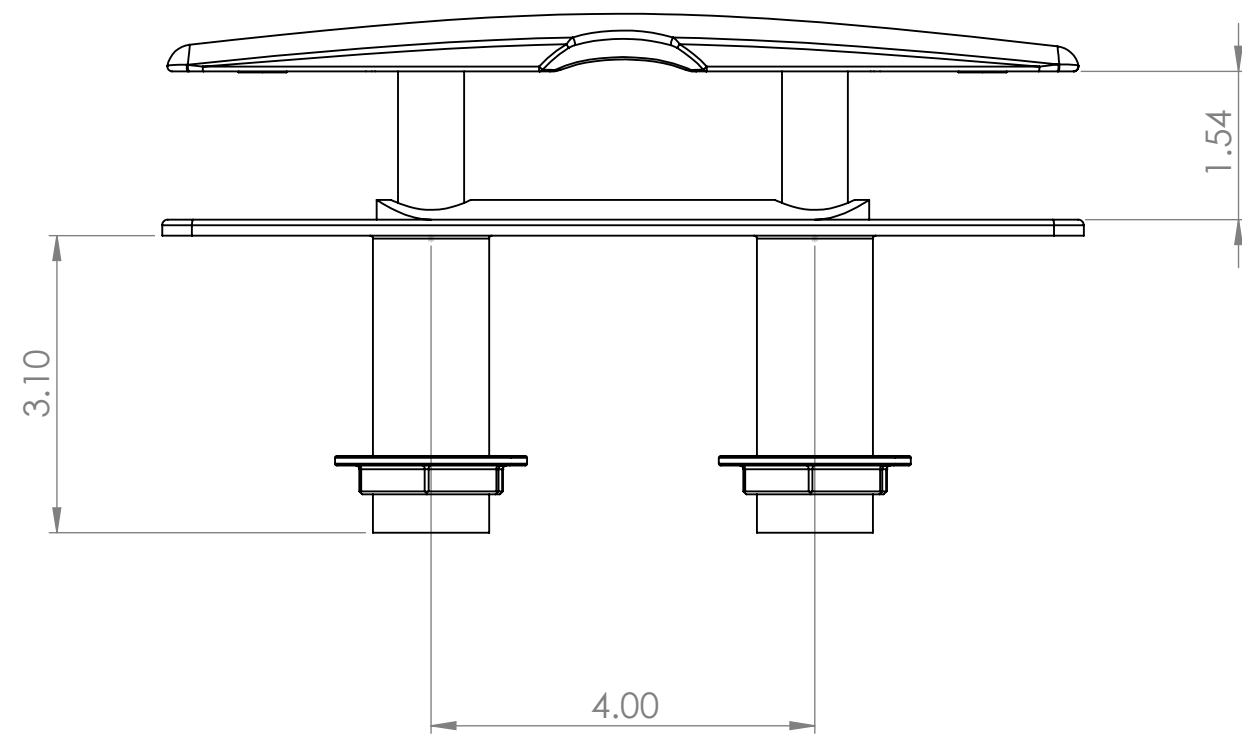
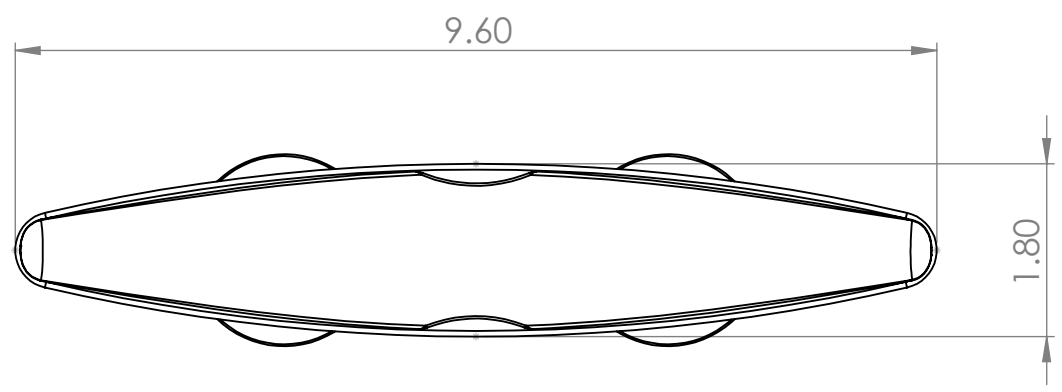


4

3

2

1



PROPRIETARY AND CONFIDENTIAL
 THE INFORMATION CONTAINED IN THIS DRAWING IS THE SOLE PROPERTY OF ACCON MARINE, LLC. . ANY REPRODUCTION IN PART OR AS A WHOLE WITHOUT THE WRITTEN PERMISSION OF ACCON MARINE, LLC. IS PROHIBITED.

		UNLESS OTHERWISE SPECIFIED:		NAME	DATE	ACCON MARINE, LLC.	
		DIMENSIONS ARE IN INCHES		DRAWN	MAR	3.21	TITLE:
		TOLERANCES:		CHECKED			460-10 WEBSITE
		FRACTIONAL ±		ENG APPR.			
		ANGULAR: MACH ± BEND ±		MFG APPR.			SIZE DWG. NO. REV
		TWO PLACE DECIMAL ±		Q.A.			B 450-10-WEBSITE
		THREE PLACE DECIMAL ±		COMMENTS:			SCALE: 1:5 WEIGHT: SHEET 1 OF 1
		INTERPRET GEOMETRIC TOLERANCING PER:					
		MATERIAL					
		316 S.S.					
NEXT ASSY		USED ON		FINISH			
				POLISHED			
APPLICATION		DO NOT SCALE DRAWING					

4

3

2

1