

4

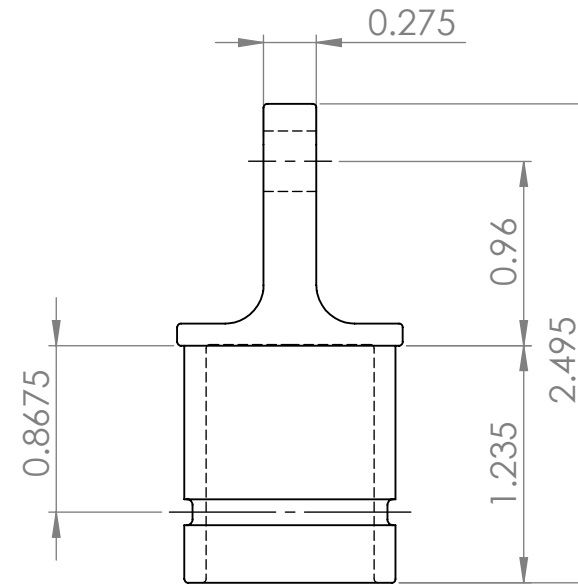
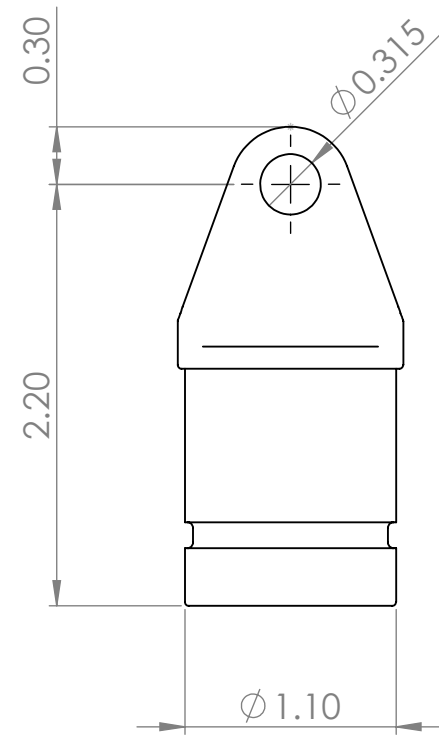
3

2

1

B

B



A

A

**PROPRIETARY AND CONFIDENTIAL**  
 THE INFORMATION CONTAINED IN THIS DRAWING IS THE SOLE PROPERTY OF ACCON MARINE, LLC. . ANY REPRODUCTION IN PART OR AS A WHOLE WITHOUT THE WRITTEN PERMISSION OF ACCON MARINE, LLC. IS PROHIBITED.

		UNLESS OTHERWISE SPECIFIED:	NAME	DATE	<i>Accon Marine, L.L.C.</i>	
		DIMENSIONS ARE IN INCHES	DRAWN		TITLE: <b>433 TUBE ADAPTER</b>	
		TOLERANCES:	CHECKED			
		FRACTIONAL ±	ENG APPR.			
		ANGULAR: MACH ± BEND ±	MFG APPR.			
		TWO PLACE DECIMAL ±	Q.A.		SIZE	DWG. NO.
		THREE PLACE DECIMAL ±	COMMENTS:		<b>B</b>	<b>433-CATALOG</b>
		INTERPRET GEOMETRIC TOLERANCING PER:			SCALE: 1:1	WEIGHT: 0.22lbs
		MATERIAL			SHEET 1 OF 1	
NEXT ASSY	USED ON	FINISH				
APPLICATION		DO NOT SCALE DRAWING				

4

3

2

1