

4

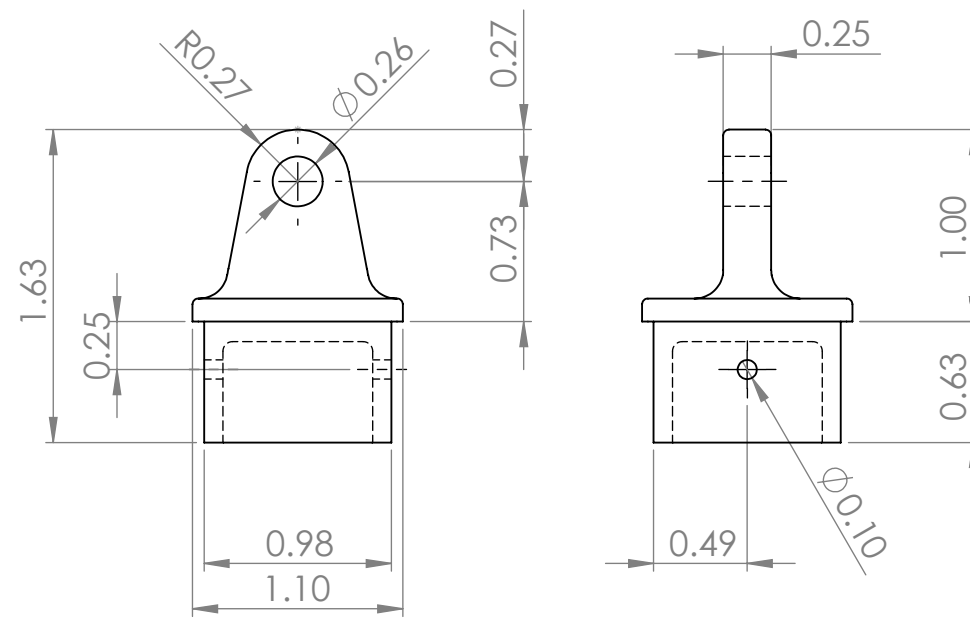
3

2

1

B

B



A

A

PROPRIETARY AND CONFIDENTIAL
 THE INFORMATION CONTAINED IN THIS DRAWING IS THE SOLE PROPERTY OF ACCON MARINE, LLC. . ANY REPRODUCTION IN PART OR AS A WHOLE WITHOUT THE WRITTEN PERMISSION OF ACCON MARINE, LLC. IS PROHIBITED.

		UNLESS OTHERWISE SPECIFIED:		NAME	DATE	ACCON MARINE, LLC.	
		DIMENSIONS ARE IN INCHES TOLERANCES: FRACTIONAL ± ANGULAR: MACH ± BEND ± TWO PLACE DECIMAL ± THREE PLACE DECIMAL ±		DRAWN	MAR		
		INTERPRET GEOMETRIC TOLERANCING PER:		CHECKED			TITLE:
		MATERIAL		ENG APPR.			431 CATALOG
		316 S.S.		MFG APPR.			
NEXT ASSY	USED ON	FINISH		Q.A.			SIZE
		POLISH		COMMENTS:			DWG. NO.
APPLICATION		DO NOT SCALE DRAWING					431-CATALOG
							SCALE: 2:1
							WEIGHT:
							SHEET 1 OF 1

4

3

2

1