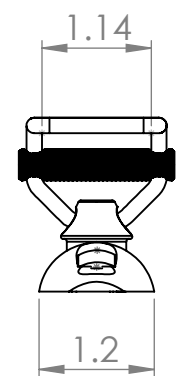
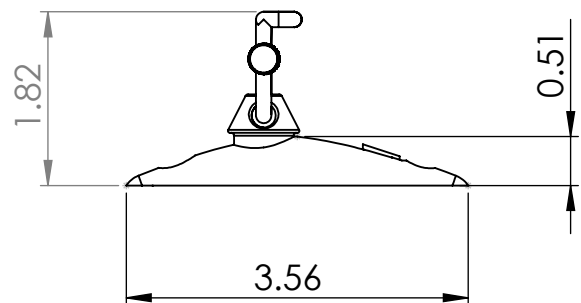
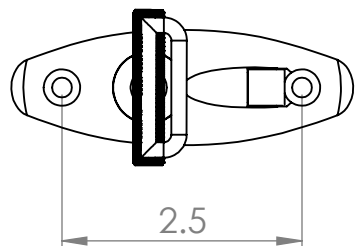


2

1

B

B



A

A

PROPRIETARY AND CONFIDENTIAL
 THE INFORMATION CONTAINED IN THIS DRAWING IS THE SOLE PROPERTY OF ACCON MARINE, LLC. ANY REPRODUCTION IN PART OR AS A WHOLE WITHOUT THE WRITTEN PERMISSION OF ACCON MARINE, LLC. IS PROHIBITED.

		UNLESS OTHERWISE SPECIFIED:		NAME	DATE
		DIMENSIONS ARE IN INCHES	DRAWN	MAR	10.21
		TOLERANCES:	CHECKED		
		FRACTIONAL ±	ENG APPR.		
		ANGULAR: MACH ± BEND ±	MFG APPR.		
		TWO PLACE DECIMAL ±	Q.A.		
		THREE PLACE DECIMAL ±	COMMENTS:		
		INTERPRET GEOMETRIC TOLERANCING PER:			
		MATERIAL			
		316 S.S.			
		FINISH			
		POLISHED			
NEXT ASSY	USED ON				
APPLICATION		DO NOT SCALE DRAWING			

Accon Marine, L. L. C.

TITLE:
QUICK RELEASE TENSION BUCKLE

SIZE	DWG. NO.	REV
A	415-TB-WEBSITE	
SCALE: 1:2	WEIGHT:	SHEET 1 OF 1

2

1