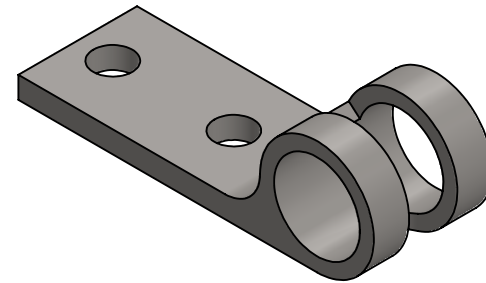
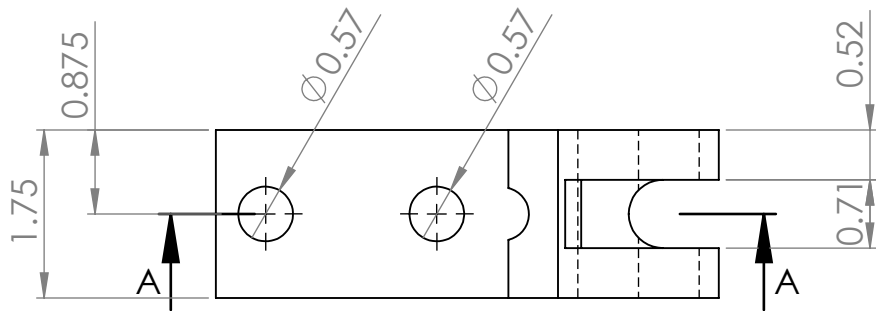
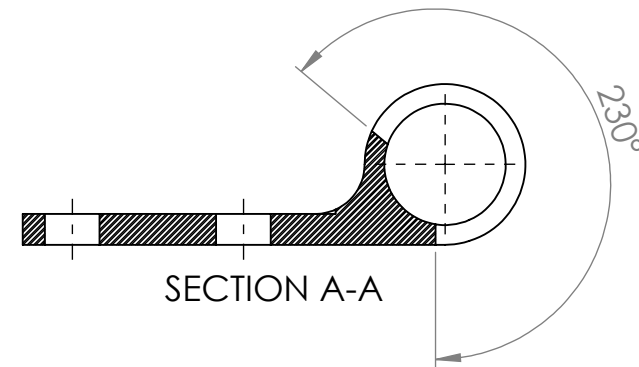
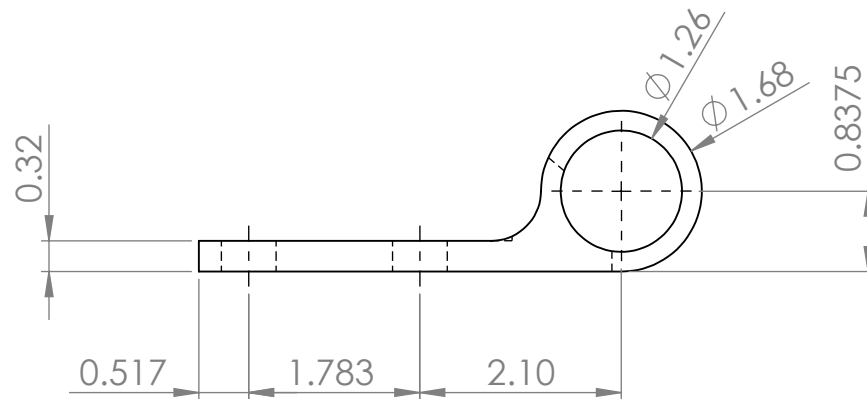


B



B



SECTION A-A

A

A

**PROPRIETARY AND CONFIDENTIAL**  
THE INFORMATION CONTAINED IN THIS DRAWING IS THE SOLE PROPERTY OF ACCON MARINE, LLC. ANY REPRODUCTION IN PART OR AS A WHOLE WITHOUT THE WRITTEN PERMISSION OF ACCON MARINE, LLC. IS PROHIBITED.

		UNLESS OTHERWISE SPECIFIED:		NAME	DATE	<i>Accon Marine, L. L.C.</i>		
		DIMENSIONS ARE IN INCHES		DRAWN	MR		10.23	
		TOLERANCES:		CHECKED				
		FRACTIONAL ±		ENG APPR.				
		ANGULAR: MACH ± BEND ±		MFG APPR.				
		TWO PLACE DECIMAL ±		Q.A.				
		THREE PLACE DECIMAL ±		COMMENTS:				
		INTERPRET GEOMETRIC TOLERANCING PER:				TITLE:		
		MATERIAL	304 S.S.			203-SLING		
		FINISH	CAST			TWO HOLE		
NEXT ASSY	USED ON					SIZE	DWG. NO.	REV
						<b>A</b>	203-S-R1	
APPLICATION		DO NOT SCALE DRAWING				SCALE: 1:2	WEIGHT: .94 lbs.	SHEET 1 OF 1

2

1