

# LARVIK

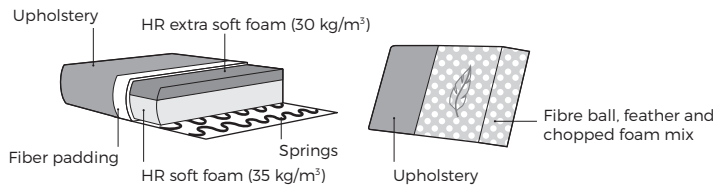


# VILMERS

# LARVIK



## Comfort



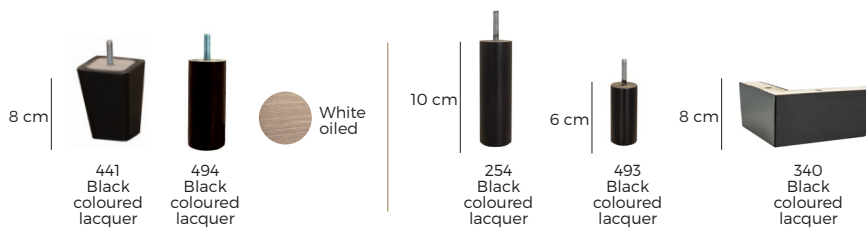
## 1. Upholstery



## 2. Armrests



## 3. Legs

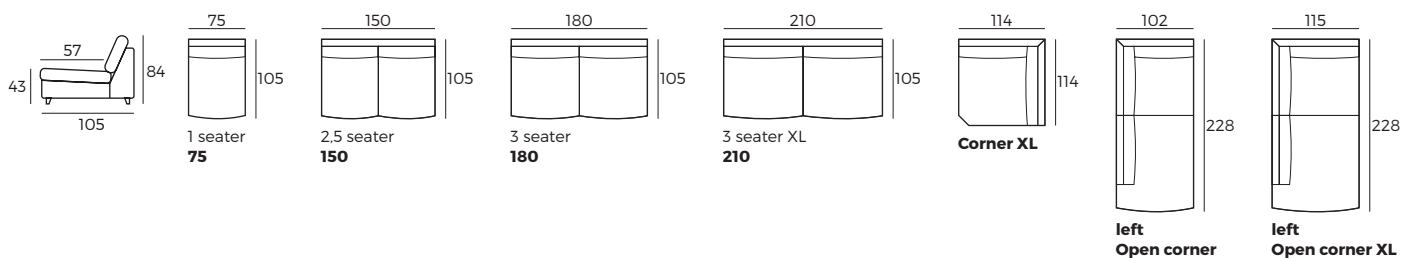


### IMPORTANT:

Upholstered furniture is handmade using soft materials, therefore measurements can vary in all modules by up to **+/- 2 cm**.  
 Modules and combinations shown in 2D drawings are left-sided. Modules and combinations can be mirrored from left to right.  
 For an additional fee, the sides of each seater module can be covered in fabric.

## Modules (Measurements with STREET armrest)

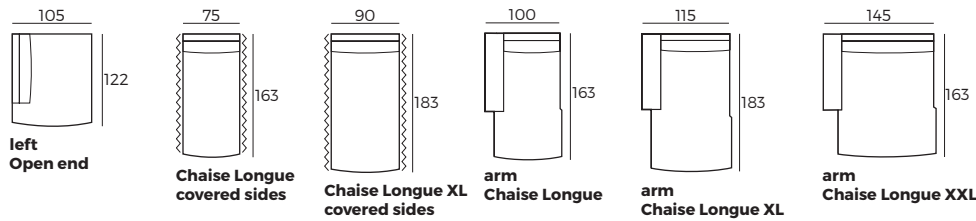
Scale 1:100



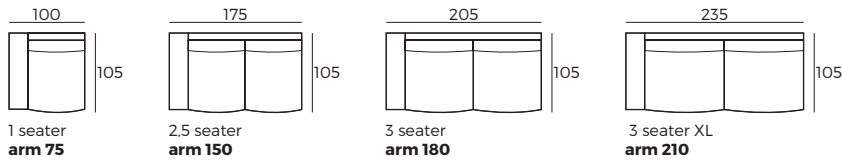
# LARVIK

## Modules (Measurements with STREET armrest)

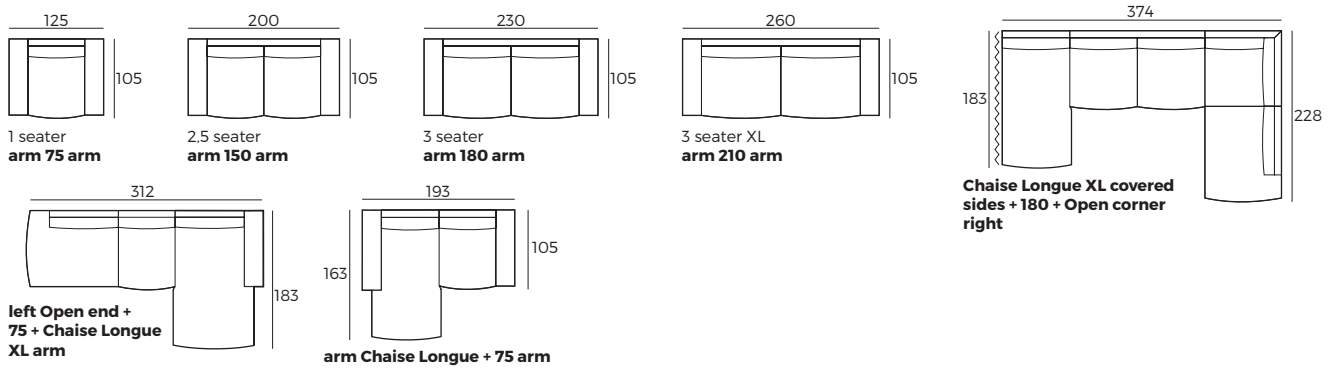
Scale 1:100



## Modules with armrest (Measurements with STREET armrest)



## Combinations (Measurements with STREET armrest)



## Accessories

