

SAVIO UVinex™ System uv clarifier

For use with the Savio Skimmerfilter® (SS0000)

Savio UVinex™ systems provide unparalleled water clarity for your pond. UVinex™ offers a safe, chemical free solution for eliminating green water. By adding a UVinex™ system you'll also enhance the filtration capabilities of your Savio Skimmerfilter.®

Please review entire instructions thoroughly prior to installation and initial use. *This unit is not for use with Savio Compact Skimmerfilters.®*



When introducing **Savio Natural Beneficial Bacteria™** into a pond, turn off UV clarifiers for 24 hours to allow bacteria to establish itself on filter media.

Warranty (Send in your warranty card)
To activate your warranty send in the enclosed warranty card or visit the Savio website (www.savio.cc/warranty/). Savio Engineering, Inc. provides a manufacturer's limited warranty of 1 year from original purchase date. Warranty does not cover consumables or wear items such as bulbs or o-rings. Warranty is non-transferable. Within the warranty period Savio will repair materials with manufacturing deficiencies at their discretion. This warranty does not cover any falls caused by improper use, installation and handling of the device or as a result of wear and tear. Savio Engineering, Inc. does not assume liability for consequential damage caused by the failure of the Savio UVinex™ system. Removal of cord or ground pin voids warranty. Warranty is void if the product is not used in accordance with instructions. For warranty claims, please contact your dealer. Savio is not responsible for damage resulting from shipping.

Water and electricity can be deadly when combined. This unit can pose significant risk of bodily harm if used incorrectly. Please read the following instructions carefully.

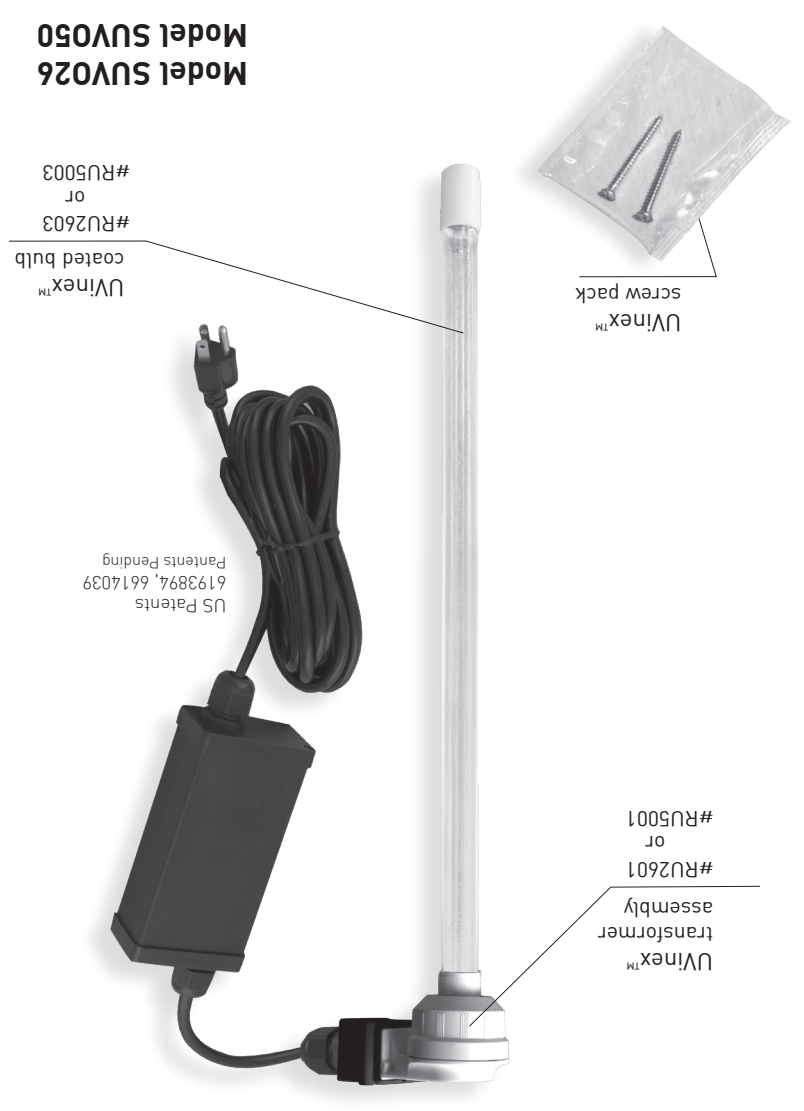
WARNING - ELECTRICAL SHOCK HAZARD.

- Never immerse the ballast/transformer unit in water.
- Never immerse the entire UVinex™ system in water.
- UV must be used in conjunction with a ground fault current switch (GFCI). (If you do not have a GFCI, contact a licensed electrician before using the UV.)
- If the UV's internal components get wet, unplug the unit immediately.
- If bulb shows signs of leakage unplug the unit immediately.
- Do not operate UV with a damaged cord or plug, if it has been dropped, or is malfunctioning.
- Do not attempt repairs on a damaged transformer unit.
- Always unplug unit when not in use and prior to servicing it.
- Never remove the UV from the Skimmerfilter® by pulling on the cord.
- Always pull the plug from the outlet, never pull the cord.

UV Light Warning

- Do not operate UV unless it is fully installed in the Savio Skimmerfilter®.
- UV lamps emit radiation that is harmful to eyes and skin. Do not look directly at UV while in operation.
- UV lamps are made from glass and must always be handled with caution.
- Closely supervise children around all pond equipment.
- The Savio UVinex™ system is for use solely in Savio Skimmerfilters®.
- Do not use in any other environment.

UV Components



Pre-Installation

Examine all parts while unpacking. Carefully inspect UVinex™ bulb for damage incurred during shipping. If unit appears damaged, return it to your dealer for replacement.

Customer Service Information



Savio Engineering, Inc.
6701 Jefferson St. NE
Albuquerque, New Mexico 87109 USA
<http://www.savio.cc> • email: support@savio.cc

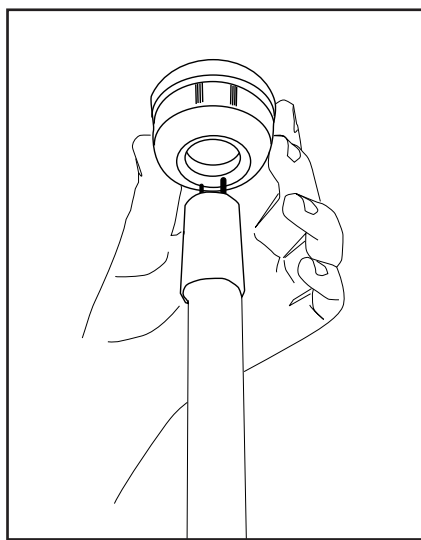
Innovative, precision engineered solutions Advanced water gardening products for healthy, clean living ponds.



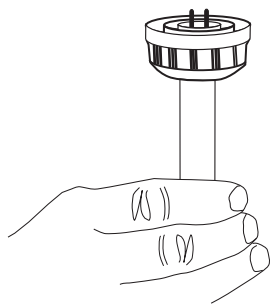
Read entire instructions prior to assembly and operation.

Assembly

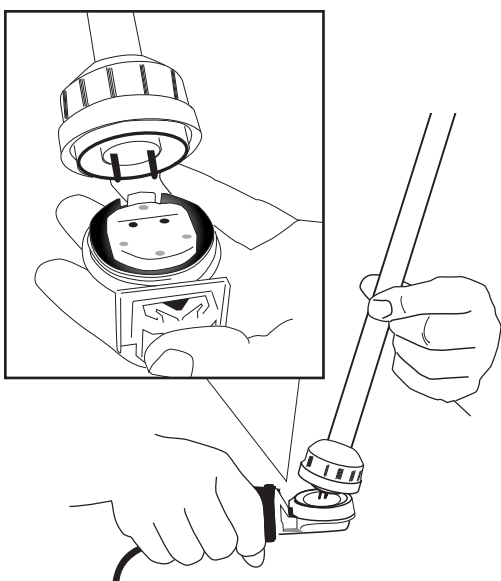
To assemble your UVinex™ system, follow this procedure:



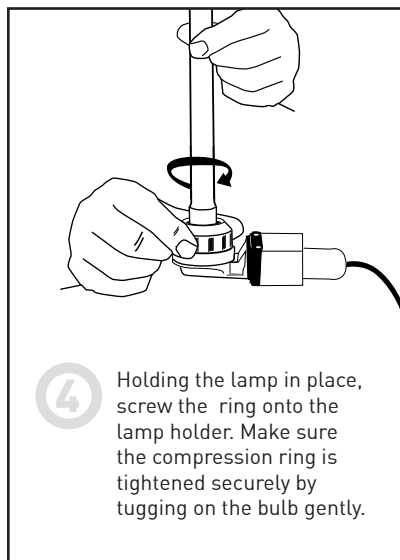
- ① Place the screw ring onto the bulb.



- ② The grommet and screw ring are to be placed even with the end of the bulb.



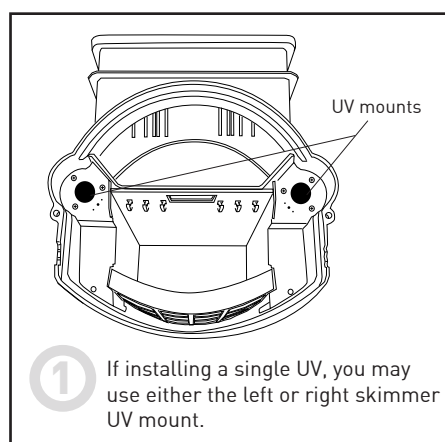
- ③ Slide the bulb into the lamp holder until both pins rest in slots and twist clockwise until locks in place.



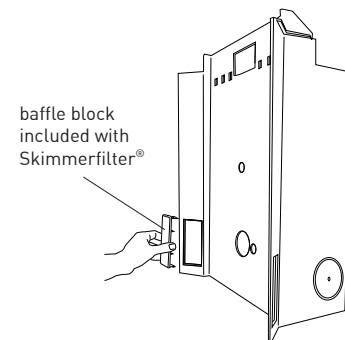
- ④ Holding the lamp in place, screw the ring onto the lamp holder. Make sure the compression ring is tightened securely by tugging on the bulb gently.

Installation

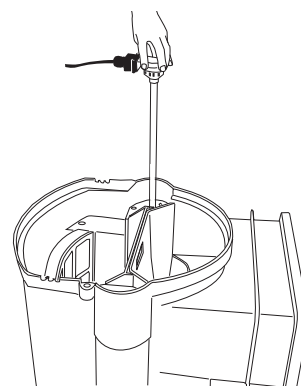
To install your UVinex™ system, follow this procedure:



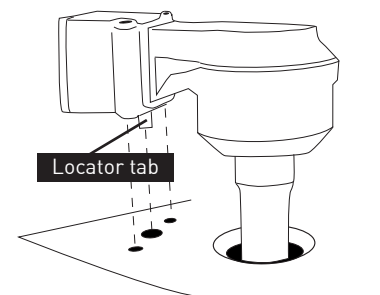
- ① If installing a single UV, you may use either the left or right skimmer UV mount.



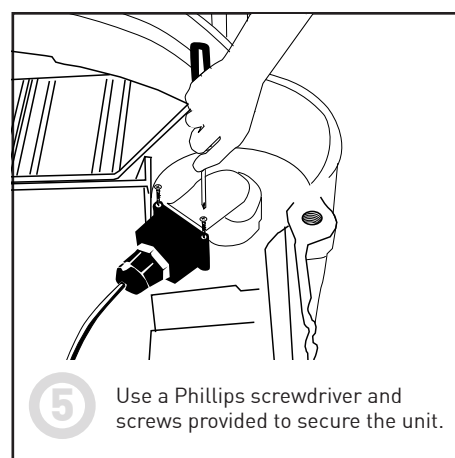
- ② If using a single UV, a baffle block can be used to prevent water movement through unused UV chamber. This provides improved UV exposure.



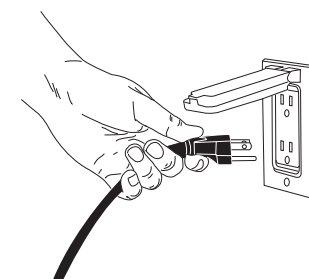
- ③ Place into UV mount.



- ④ Locator tab will rest in the center hole, and screw holes will align on sides.



- ⑤ Use a Phillips screwdriver and screws provided to secure the unit.



- ⑥ To start system: Plug UV into GFCI protected outlet.

Recommended Flow Rates

For green water clarification, the pump needs to flow the total volume of pond water past the UV no less than every two hours. In full size Skimmerfilters® two UVs may be used for increased clarification.

26 Watt UVinex™	
minimum	50% of total volume of pond water per hour (gph)
maximum	2500 gph per bulb
50 Watt UVinex™	
minimum	50% of total volume of pond water per hour (gph)
maximum	4750 gph per bulb

What's the difference between a UV Clarifier and a UV Sterilizer?

The difference is how long the water column remains exposed to UV light. The chart above is based on extensive testing to find an optimal balance between high flow rates and the removal of organics that cause cloudy, unsightly water. If UV sterilization is desired, simply slow the flow rate to increase exposure times.

Maintenance

Prior to performing any maintenance always unplug the UVinex™ system. Use caution when removing or replacing bulbs.

Every Three Months:

Coated bulb should be wiped with a clean cloth & rinsed with clean water.

Annually or As Needed:

Replace UVinex™ bulb every 12 months for optimal water clarity.

Winterizing

Allowing the UVinex™ system to freeze can result in breakage to the bulb. Winterize pond equipment before ice develops on the pond. Keep equipment winterized until spring when the water temperature rises to 40°F or higher consistently.

To winterize UV:

- 1) Disconnect electrical connections.
- 2) Remove the UV from the Skimmerfilter®.
- 3) Dry UV unit thoroughly and clean bulb.
- 4) Store indoors in a safe place.

Replacement Parts

Replacement parts for UVinex™ system:

Part #	Item	Qty
RU2603	26 Watt UVinex™ Replacement Bulb	1
RU5003	50 Watt UVinex™ Replacement Bulb	1
RU2601	26 Watt UVinex™ Transformer Assembly	1
RU5001	50 Watt UVinex™ Transformer Assembly	1
RS105	Skimmerfilter® Baffle Shield UVinex™ - Left (Retrofit part for 2006 and older Skimmerfilters®)	1
RS106	Skimmerfilter® Baffle Shield UVinex™ - Right (Retrofit part for 2006 and older Skimmerfilters®)	1

Troubleshooting

Faults	Possible Causes	Remedies
UVinex™ system not operating.	a) UV is not plugged in. b) GFCI switch (ground fault circuit interrupt) has tripped. c) Domestic fuse has blown. d) UVinex™ bulb needs replacing. e) UVinex™ transformer has failed.	a) Connect UV plug. b) Reset GFCI. If this occurs often consult an electrician. c) Replace fuse or reset circuit breaker. If this occurs often consult an electrician. d) Replace bulb. e) Replace transformer.
Water in bulb.	Bulb is damaged.	Replace bulb.
Excessive mineral build up on bulb.	Clean or replace bulb.	Use damp cloth to wipe bulb clean.