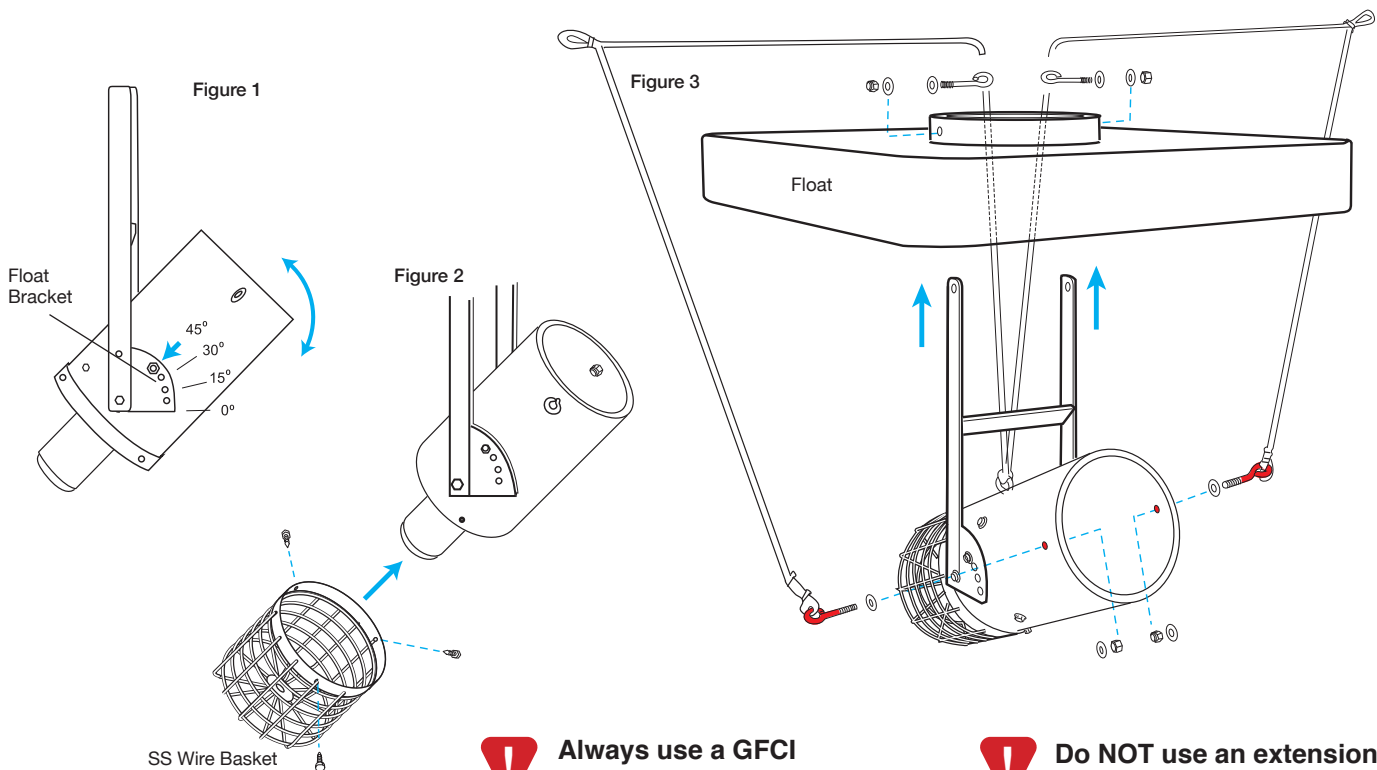




We at Scott Aerator thank you for your purchase. It is our goal to ensure that you are completely satisfied with your new AquaSweep and that it continues to operate smoothly for many years to come. Please take a few moments to read through this document for proper assembly, installation and maintenance to maximize the operating life of the unit.

Assembly Instructions

1. Remove 5/16" x 1" hex cap bolt, washer and locking nut from the float bracket. Tilt the float bracket to align holes to the desired angle of water flow, typically 45°, and resecure. Fig. 1
2. The next step is to fasten the stainless-steel basket to the intake side of the gray AquaSweep housing. This is easily done by aligning the 3 basket eyelets with the pre-drilled holes on the housing and fastening with the small self-tapping screws provided. Fig. 2
3. Place float above the float bracket. Align the holes in the float with the top hole in the float bracket. Draw the rope up through the float. Insert the long eyebolts and washer from inside, through float bracket and float and secure with washers and locknuts. Fig. 3
4. Secure the red eye-bolts in the red marked holes in the gray tube with washers and locknuts. Fig. 3
5. Take the 2 lengths of rope included with the unit and tie them to the loops in the white rope. Secure rope ends to docks or pilings and adjust tension to achieve position that works best. If the float has a tendency to rise when the unit is on, move loops down 3-4 inches.



Always use a GFCI
Always disconnect the power
when swimmers are present



Do NOT use an extension cord
to supply power to the motor

Maintaining Your AquaSweep Float Model

Most of our products require very little to any maintenance. Under normal operating conditions, you should enjoy many years of trouble free service from the unit. As a rule of thumb, the propeller assembly on our AquaSweep should be changed every five years. This is a simple procedure that can be done on-site. When the unit is removed from the water for the propeller switch, it would be a good opportunity to wash the unit down with high pressure water. Once the unit is clean, a visual inspection of the entire aerator is recommended to be certain nothing is restricting water flow.

The Scott Aerator Company has engineered all of its water features to eliminate the need for time consuming and costly winterizing products and procedures. You may simply leave the Aquasweep installed all year around, even in freezing conditions. If removed, it is important to store the motor fully submersed in water to maintain the motor's seals.

	MOTOR RATING			
	1/2 HP 115V/230V	3/4 HP 230V	1 HP 230V	1-1/2 HP 230V
WATTS	670	940	1210	1770
AMPS	10/5	7	8.2	10.6
GALLONS/MIN	400	450	500	600

*Longer power cords available



Propeller
Part # 30005

Standard Features

- American made components for all-weather performance
- Moves 400 gallons per minute
- Oil free motor Motor: 115 Volt 60 HZ, single phase, 10 amps, 670 watts, 3,450 rpms
- 12 gauge submersible power cord, 35 feet included, capped by a rugged Hubbell marine style plug

Options and Accessories

- 230 volt models available
- Three phase power available
- 50Hz models available
- Longer power cords available

The Scott Aerator Awesome Warranty

All standard Scott Aerator products are unconditionally warranted for five years against motor defects in materials or workmanship, under normal operating conditions. All other product components are warranted for one year from date of purchase. Scott Aerator will repair or replace failed parts under warranty when the defective unit is returned to the factory, shipping prepaid, and factory inspection establishes that the part was defective. The unit must be returned to the factory prior to shipment of replacement parts. All parts replaced under this warranty will be returned with shipping prepaid. Scott Aerator will not be liable for consequential damage nor for any costs associated with removal or attempts to repair components in the field.



13245 Barry Street, Holland, MI 49424

scottaerator.com

information@scottaerator.com

800-WATER-45 (800-928-3745)

(616) 392-8882

