



Included

Classic Pattern Dimensions: 6'h x 16'w



Included

Trumpet Pattern Dimensions: 14'h x 7'w



Included

Crown & Trumpet Pattern Dimensions: Trumpet: 8'h | Crown: 4'h x 32'w



EcoSeries™
1/2 HP Floating Fountain
Model #ES05 Gen 3 • 5.8A, 120V/60Hz
Owner's Manual



UNIT IDENTIFICATION

Please Keep for Your Records

OWNER'S MANUAL FOR:

EcoSeries 1/2 HP Floating Fountain
Model #ES05 Gen 3



THANK YOU FOR CHOOSING
The Airmax EcoSeries
Floating Fountain



Watch & Learn | **How-To Install Video**
airmaxeco.com/EcoSeriesVideo

ENGLISH

SECTION	PAGE
1 System Components	3
2 Safety	3
3 System Installation	4-5
4 Maintenance & Winter Storage	5
5 Troubleshooting - Fountain	6
6 Troubleshooting - Lights	6
7 Replacement Parts	7
8 Warranty	19

ESPAÑOL

SECTION	PAGE
1 Componentes del sistema	8
2 Seguridad	8
3 Operación de temporada	9-10
4 Mantenimiento y almacenamiento de invierno	10
5 Solución de problemas - Fuente	11
6 Solución de problemas - Luces	11
7 Piezas de repuesto	12

FRANÇAIS

SECTION	PAGE
1 Des composants du système	13
2 Sécurité	13
3 Opération saisonnière	14-15
4 Entretien et de remisage d'hiver	15
5 Dépannage - Fontaine	16
6 Dépannage - Lumières	16
7 Pièces de rechange	17

Airmax EcoSeries Floating Fountain



- Easy to Install, No Tools Required
- Asynchronous Water Cooled Motor, Silicon Carbide (SiC) Shaft Bearing and Ceramic Shaft
- Energy Efficient, Fully Sealed Motor. 5.8A, 696W @ 120V, UL - Listed
- Stainless Steel Suction Screen & Body
- Engineering Grade Plastic Discharge & Nozzle Parts
- Operates in as Little as 24" of Water Depth
- Includes 3 Spray Patterns, Classic, Trumpet and Crown & Trumpet, Premium Nozzles Available
- Comes standard with 100' Power Cord. Available in 150', 200', 250', 300', 350' and 400' Power Cord Lengths
- Included Control Panel for Fountain & Optional Light Kits
- EcoSeries 3 Year Warranty
- Control Panel 1 Year Warranty
- Provides aeration for ponds up to 1/4 acre, 6' deep. Larger ponds will require the addition of diffused air or multiple fountains

2. Important Safety Instructions

- Under NO circumstances should anyone enter the water with the electrical equipment plugged in and/or in operation
- **WARNING** - Risk of electric shock - This fountain is supplied with a grounding conductor and grounding-type attachment plug. To reduce the risk of electric shock, be certain that it is connected only to a properly grounded, grounding-type receptacle. This fountain has not been investigated for use in swimming pool areas.
- ALWAYS use a GFCI protected receptacle or breaker for this fountain.
- NEVER run the unit out of the water. It will damage the seals and create a dangerous situation for the operator.
- NEVER lift or drag the fountain by the power cord. Handles are provided for lifting and carrying.
- During freezing temperatures, remove fountain and store inside.
- If installing the fountain from a boat or raft ALWAYS wear a Life Guard approved personal flotation device.
- ALWAYS use a qualified electrician to install a power source next to your pond.

1. System Components



Control Panel



Trumpet



Crown & Trumpet



Classic

Spray Patterns



Power Cord w/strain relief cable attachment 100', 150', 200', 250', 300', 350' & 400'

Fig. 1

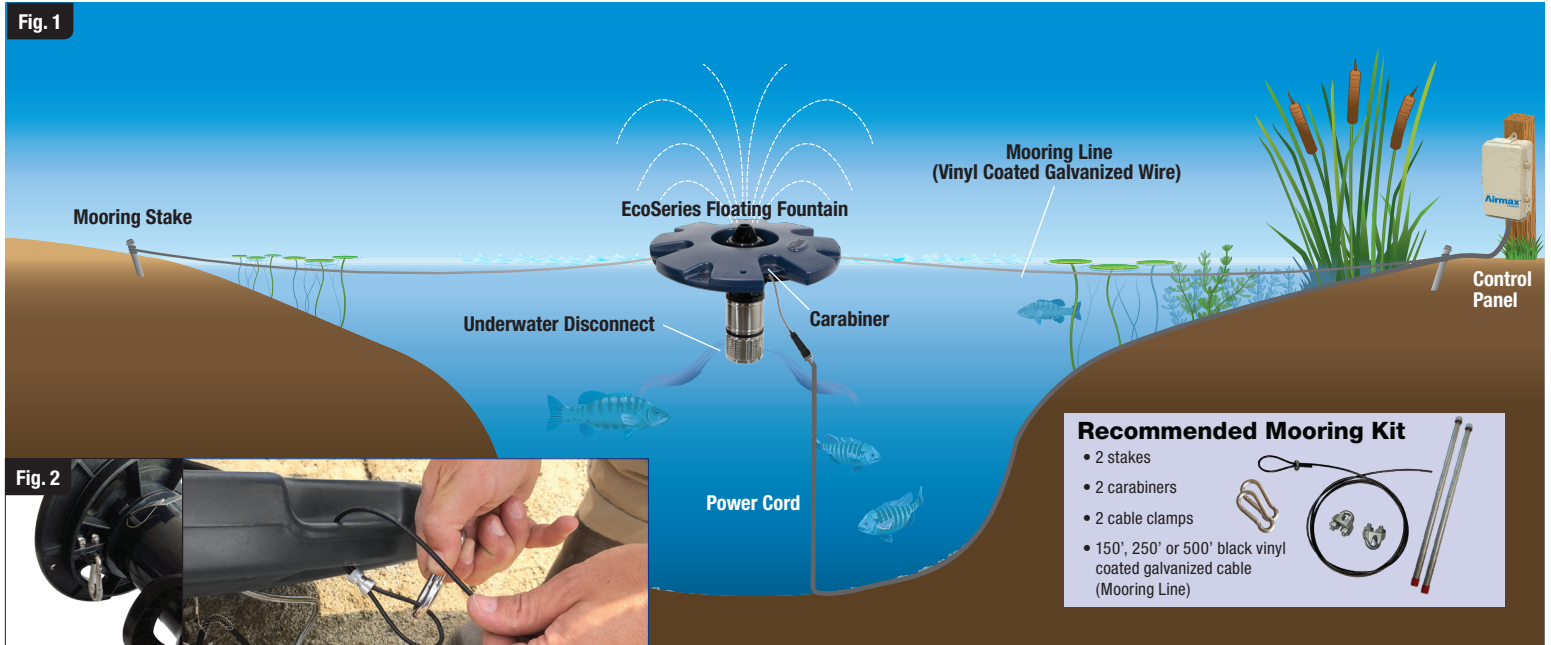


Fig. 2



Strain Relief

Mooring Kit

A. System Components in the Box:

1. Fountain Pump with Quick Disconnect, float mount ring and Crown & Rocket Spray Pattern (installed)
2. Float - Blue
3. Power Cord
4. Control Panel
5. Classic Spray Pattern (interchangeable)
6. Trumpet Spray Pattern (interchangeable)

Mooring Kit Options:

- #651052 – 150' Mooring Kit
- #651054 – 250' Mooring Kit
- #651055 – 500' Mooring Kit

* Mooring Kit Not Included with Fountain

B. Prepping the EcoSeries for Installation:

- 1) Ensure you have power close to your pond. If you don't, we recommend to ALWAYS use a licensed electrician to properly run power down to the pond.
- 2) Mount the Control Panel in a fixed position next to the power source.
- 3) Choose Your Spray Pattern (Fig. 3)
 - a) The EcoSeries comes packaged with the Crown & Rocket spray pattern installed. However, the EcoSeries includes two additional spray patterns (Trumpet and Classic). Pick the one that best suits you or your special event.
 - b) To change a pattern, simply unscrew the nozzle nut, replace the pattern and reinstall the nozzle nut.
- 4) Assembling the Unit (Fig. 4)
 - a) Lay the float flat on the ground with Airmax logo facing up.
 - b) Place the fountain pump assembly into the center of the float.
 - c) Lift the float straight up and ensure that the fountain pump lead power cord passes through the center hole. Gently lay the fountain to one side.
 - d) Securely attach the power cord to the fountain pump lead quick disconnect.
 - e) Attach the power cord strain relief to the loop underneath the float mount ring. (Fig. 2)
 - f) Attach a mooring cable (not included) using two outside mounting locations on opposite sides of the fountain float (Fig. 2).

Fig. 3



Fig. 4



g) Installing the Airmax LED Fountain Light Set (sold separately) (Fig. 5)

- i) To attach the light, clip the light into the mounting spot on the float and use the vertical tension screw to secure the light into place. Continue until all lights are attached. Be mindful of the different lengths of interconnect cord between lights. The 2-light and 4-light set should be clipped into the inside mounting positions. **Note: If installing 8 lights, use small holes in float for mooring lines.**
- ii) After attaching the Airmax LED Fountain Light Set to the float, connect the power cord to the light kit quick disconnect. Adjust the lights to point to desired direction.
- iii) Attach the light set power cord strain relief on to one of the loops underneath the float mount ring.
- h) Pick up the fountain by the float and place into the water. **Note: a minimum of 24" of water is required for proper operation.**
- i) Tie one side of the mooring rope to a stake and place the stake securely into the ground.
- j) Take the other stake and mooring rope and walk around the pond, carefully pulling the fountain across the water. Once the fountain is in position, tie the 2nd mooring rope to the 2nd stake and place securely into the ground.
- k) Ensure both mooring ropes are snug to prevent the fountain from twisting and shifting during operation.

Note

Once lights are installed and clipped into position, adjust lights for desired direction.

**C. Operating the EcoSeries Floating Fountain for the First Time (Fig. 6)**

- 1) Plug the Control Panel into a power source.
- 2) Make sure GFCI's reset button is pushed in.
- 3) Set timer pins to desired run cycles or 24 hours.
 - a) If you are using your fountain for aeration, it is recommended to run the fountain a minimum of 10-12 hours per day, although running them longer can increase the benefits.
- 4) Plug the EcoSeries Floating Fountain's power cord into the Control Panel outlet labeled "FOUNTAIN".
- 5) If the Airmax LED Fountain Light Set is installed, plug the light set's power cord into the control panel outlet labeled "LIGHTS".
 - a) Minor angular adjustments may be needed to the lights to ensure the lights are illuminating the spray pattern properly.
 - b) Lights will only operate when the fountain is running and the photocell has activated the lights. **Note: Placing your control panel in a heavily shaded area or in a dark place will activate the lights continuously when the fountain is running.**

**4. Maintenance & Winter Storage****A. Maintenance**

- 1) Disconnect ALL power from the fountain and lights before attempting any maintenance.
- 2) Periodically clean fountain intake screen of debris, algae and/or aquatic weeds.
- 3) Periodically clean light set lens with a non-abrasive brush and cleaner.
- 4) When running the fountain in dirty water or water with high mineral deposits, clean rotor every 12 months or as needed. See the **How-To Video** at airmaxeco.com/ecoseries

B. Winter Removal & Storage

- 1) Remove the fountain and lights from the pond before ice begins to form.
- 2) This is the perfect time to clean or power wash any debris on the unit before storing.
- 3) It is recommended to disconnect lights from fountain and store in an area above freezing temperatures.

C. Spring Installation Inspection

- 1) Before re-installing the fountain and lights in the spring, check the condition of the power cord, quick disconnect connectors and replace any o-rings that may be cracked.

IF FOUNTAIN WON'T RUN

ISSUE	CORRECTION
GFCI Tripped	Reset GFCI
Power Cord Cut	Repair or replace power cord
Intake plugged	Clean intake
Timer not running	Verify timer is keeping time, replace timer if not
Timer trippers are not set correctly	Set on / off trippers correctly
Not enough water in reservoir	Bring water level up to at least 24" at fountain
Fountain impeller stuck	Remove fountain, clean replace impeller
Breaker tripped due to overcurrent	Reduce current load on circuit, check other equipment
Breaker tripped to GFCI	Check power cord for cuts, replace/repair

IF NOZZLE HAS POOR QUALITY STREAMS

ISSUE	CORRECTION
Intake plugged	Clean intake
Not enough water in reservoir	Bring water level up to at least 24" at fountain
Debris caught in nozzle hole	Remove nozzle, clean, replace
Water coming over the float	Check fountain float for water, replace if any

IF FOUNTAIN STARTS AND STOPS

ISSUE	CORRECTION
Intake plugged	Clean intake
Not enough water in reservoir	Bring water level up to at least 24" at fountain

IF STREAMS RAISE AND LOWER

ISSUE	CORRECTION
Not enough water in reservoir	Bring water level up to at least 24" at fountain
Water coming over the float	Check fountain float for water, replace if any

IF FOUNTAIN HUMMING - RUNNING

ISSUE	CORRECTION
Normal running	Nothing

IF FOUNTAIN HUMMING - NOT RUNNING

ISSUE	CORRECTION
Intake plugged	Clean intake
Voltage not high enough for starting	Make sure voltage at receptacle is 120V+/-5%
Fountain impeller stuck	Remove fountain, clean replace impeller
Locked rotor	Clean rotor with a scrub brush

6. Troubleshooting - LED Lights

IF ALL LIGHTS OFF

ISSUE	CORRECTION
GFCI Tripped	Reset GFCI
Power Cord Cut	Repair or replace power cord
Water in fixtures	Contact Airmax or local dealer for repair/replacement
Voltage not high enough for starting	Make sure voltage at receptacle is 120V+/-5%
Timer not running	Verify timer is keeping time, replace timer if not
Timer trippers are not set correctly	Set on / off trippers correctly
Photocell defective	Replace photocell

IF ONE OR MORE (NOT ALL) LIGHTS OFF

ISSUE	CORRECTION
Water in fixtures	Contact Airmax or local dealer for repair/replacement
LED bulb driver failed	
LED Bulb failed	

IF LIGHTS FLICKER

ISSUE	CORRECTION
Water in fixtures	Contact Airmax or local dealer for repair/replacement
Voltage not high enough for starting	Make sure voltage at receptacle is 120V+/-5%
LED bulb driver failed	Contact Airmax or local dealer for repair/replacement

IF LIGHTS TURN ON AND OFF INTERMITTENTLY

ISSUE	CORRECTION
Water in fixtures	Contact Airmax or local dealer for repair/replacement
Photocell defective	Replace photocell
LED bulb driver failed	Contact Airmax or local dealer for repair/replacement

IF LIGHTS DIM

ISSUE	CORRECTION
Voltage not high enough for starting	Make sure voltage at receptacle is 120V+/-5%
Lens might be dirty	Clean with a non-abrasive brush or cleaner

IF ONE OR MORE (NOT ALL) LIGHTS DIM

ISSUE	CORRECTION
Water in fixtures	Contact Airmax or local dealer for repair/replacement
Photocell defective	Replace photocell
LED bulb driver failed	Contact Airmax or local dealer for repair/replacement

Fountain Replacement Parts

1. #651310 – Nozzle Nut

Spray Pattern

2. #651164 – Classic Pattern (4185)
3. #651703 – Crown & Trumpet Pattern (1037-iB)
4. #651708 – Trumpet Pattern (1009-C)
5. #653100 – Float Mount Half Ring w/ Hardware
6. #651253 – Float Mount Ring Bolt, ¼ - 20 x ¾"
7. #651311 – Discharge Horn O-Ring

Pump Motor

8. #651716 – ½ HP Pump Motor w/Quick Disconnect & Discharge Horn, 120V (Complete)
 - A. #651272 – Upper Motor Mount Bolts
 - B. #651146 – Stainless Housing
 - C. #651147 – Rotor Mounting Plate
 - D. #651144 – Rotor & Impeller Assembly
 - E. #651142 – Lower Intake Housing
 - F. #651188 – Lower Intake Screw
 - G. #651141 – Stainless Suction Screen
 - H. #651143 – Suction Screen Nut
 - I. #651148 – Bearing Holder
 - J. #651273 – Rotor Locking Ring w/ Hardware

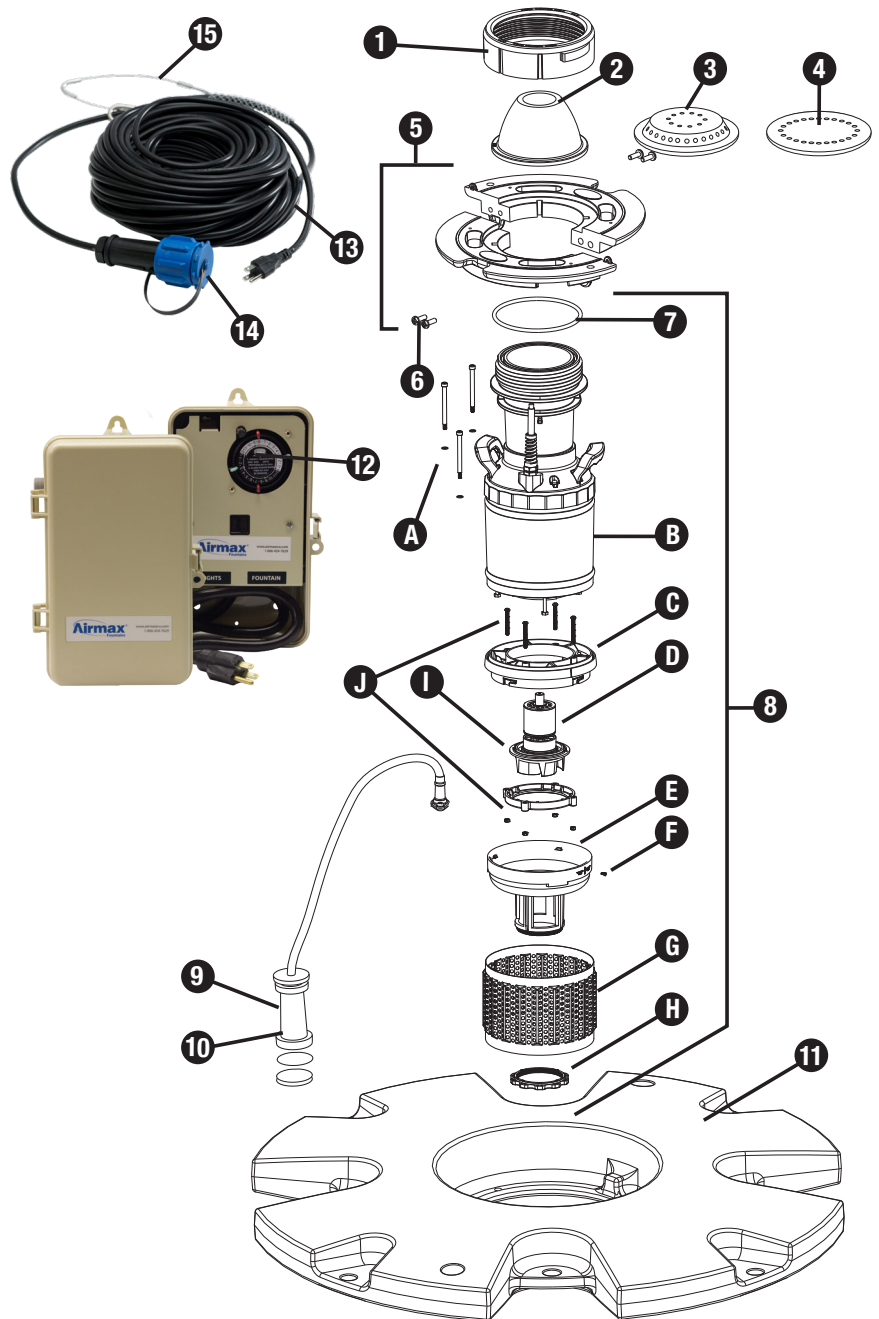
9. #651163 – Female End Cap, O-Ring
10. #651357 – Power Unit Motor Lead End Cap, Female
11. #651500 – Float
12. #651715 – Control Panel

Power Cord

13. Power Cord Length Options

- #651378 – 100 feet, 16/3
- #651379 – 150 feet, 14/3
- #651380 – 200 feet, 14/3
- #651415 – 250 feet, 12/3
- #651416 – 300 feet, 10/3
- #651544 – 350 feet, 10/3
- #651545 – 400 feet, 10/3

14. #651356 – Power Cord End Cap, Male
15. #651060 – Strain Relief (16, 14 gauge)
 - #651061 – Strain Relief (12 gauge)

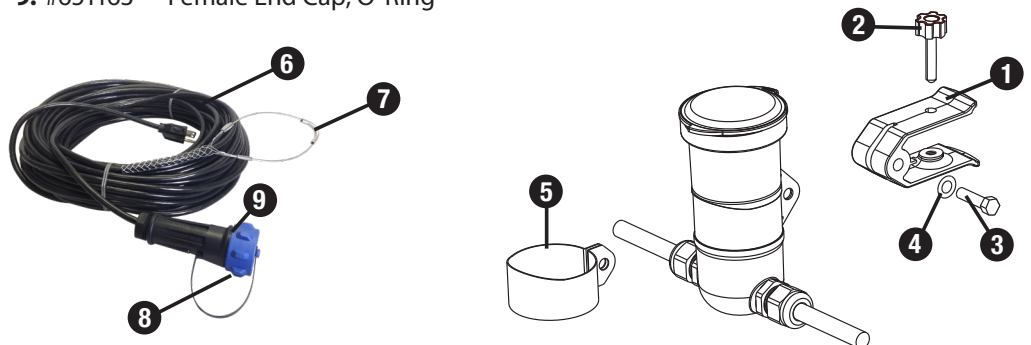


LED Light Replacement Parts

1. #651307 – Mounting Clamp
2. #651325 – Tension Screw, ¼ - 20 x 1 ¼"
3. #651722 – Bolt, ¼ - 20 x 1 ¼"
4. #651723 – Washer, ¼"
5. #651308 – Band Clamp
6. #651060 – Strain Relief (16 gauge)
7. #651060 – Strain Relief (12 gauge)
8. #651357 – Power Cord End Cap, Female
9. #651163 – Female End Cap, O-Ring

6. Power Cord Options

- #652646 – 100 feet, 16/3
- #652647 – 150 feet, 16/3
- #652648 – 200 feet, 16/3
- #652649 – 250 feet, 16/3
- #652667 – 300 feet, 16/3
- #652668 – 350 feet, 16/3
- #652669 – 400 feet, 16/3



Airmax EcoSeries flotante



- Fácil de instalar, sin necesidad de herramientas
- Asíncrono refrigerado por agua del motor, carburo de silicio (SiC) cojinete del eje y eje de cerámica
- Eficiente de la Energía, Motor totalmente sellado. 5.8A, 696W @ 120V, UL - enumerado
- Pantalla de acero inoxidable de succión y Cuerpo
- Descarga y boquilla Ingeniería Grado de plástico Piezas
- Funciona en tan sólo 24" de profundidad de agua
- Incluye 3 tipos de chorro, clásico, clásico, la trompeta y la Corona y la trompeta de primera calidad Boquillas Disponible
- Viene de serie con 100' del cable de alimentación . Disponible en 150' , 200' , 250' , 300' , 350' y 400' longitudes del cable de alimentación
- Incluye panel de control de la fuente y Kits Luz opcionales
- EcoSeries Garantía de 3 años
- Panel de Control Garantía de 3 años
- Proporciona aireación para estanques de hasta 1/4 acre, 6 pies de profundidad. Estanques más grandes requerirán la adición de aire difundido o múltiples fuentes

2. Instrucciones de seguridad importantes

- Bajo ninguna circunstancia se debe a nadie entrar en el agua con el equipo eléctrico enchufado y / o en funcionamiento
- **ADVERTENCIA - Riesgo de descarga eléctrica -** Esta fuente se suministra con un conductor a tierra y un enchufe con toma de tierra. Para reducir el riesgo de choque eléctrico, asegúrese de que está conectado únicamente a una tierra adecuada, con toma de tierra del receptáculo. Esta fuente no se ha investigado su uso en áreas de piscinas.
- SIEMPRE use un receptáculo GFCI protegido o interruptor para esta fuente.
- Nunca haga funcionar la unidad fuera del agua. Esto puede dañar los sellos y crear una situación de peligro para el operador.
- NUNCA levante o arrastre la fuente por el cable de alimentación. Los mangos se proporcionan para levantar y transportar.
- Durante las temperaturas de congelación, retire la fuente y almacenar en su interior.
- Si la instalación de la fuente de un barco o balsa SIEMPRE use un protector de vida Flotadores personales aprobados.
- SIEMPRE use un electricista calificado para que instale una fuente de energía junto a su estanque.

1. Componentes del sistema



Panel de Control



Trompeta



Crown y Trompeta



Clásico

Patrones de pulverización



Cable de alimentación

con la cepa de fijación del cable de socorro

100', 150', 200', 250', 300', 350' y 400'

Fig. 1

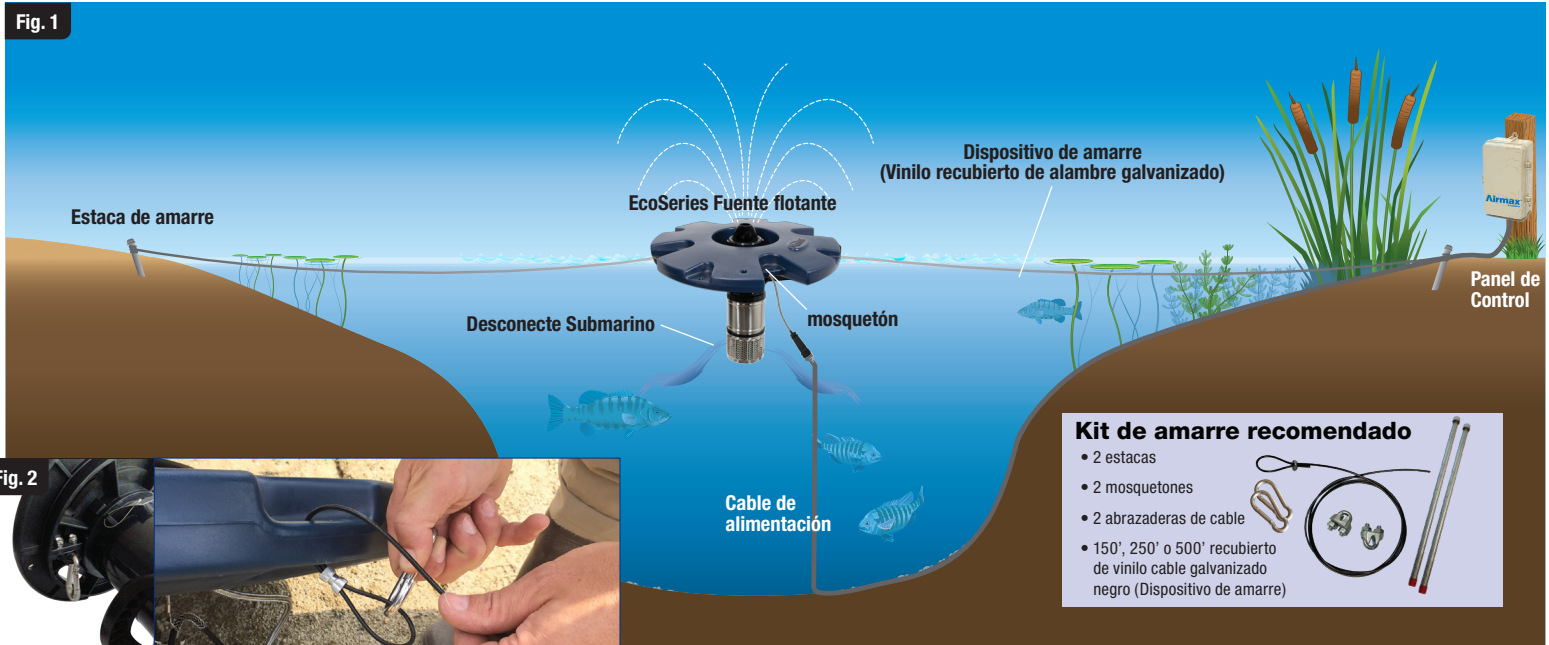


Fig. 2



Alivio de tensión

Kit de amarre

Kit de amarre recomendado

- 2 estacas
- 2 mosquetones
- 2 abrazaderas de cable
- 150', 250' o 500' recubierta de vinilo cable galvanizado negro (Dispositivo de amarre)

A. Componentes del sistema en el casillero:

1. La bomba Fuente con desconexión rápida, flotador aro de montaje y el patrón Crown & Trompate aerosol (instalado)
2. Float - Azul
3. Cable de alimentación
4. Panel de control
5. Patrón de pulverización clásico (intercambiables)
6. Trompeta del chorro de pulverización (intercambiables)

Opciones del kit de amarre:

- #651052 – 150' Kit de amarre
- #651054 – 250' Kit de amarre
- #651055 – 500' Kit de amarre

***Kit de amarre no está incluido con la fuente**

B. Preparar la EcoSeries para la instalación:

- 1) Asegúrese de que tiene el poder cerca de su estanque. Si no lo hace, le recomendamos que utilice siempre un electricista con licencia para ejecutar correctamente el poder hasta el estanque.
- 2) Monte el panel de control en una posición fija al lado de la fuente de alimentación.
- 3) **Elija su chorro de pulverización (Fig. 3)**
 - a) El EcoSeries viene con el patrón de corona y trompeta instalado. Sin embargo, el EcoSeries incluye dos tipos de chorro adicionales (Clásico & Trompeta). Elija el que mejor usted o su evento especial se adapte.
 - b) Para cambiar un patrón, simplemente desenrosque la tuerca de la boquilla, cambie el modelo y volver a instalar la tuerca de la boquilla.
- 4) **Montaje de la Unidad (Fig. 4)**
 - a) Acostar a la flotación en el suelo con el logotipo Airmax hacia arriba.
 - b) Coloque el conjunto de bomba de la fuente en el centro del flotador.
 - c) Levante el flotador hacia arriba y asegúrese de que el cable de alimentación principal bomba de la fuente pasa a través del agujero central. Coloque con cuidado la fuente a un lado.
 - d) Fije firmemente el cable de alimentación a la bomba de la fuente principal de desconexión rápida.
 - e) Conecte el alivio de tensión del cable de alimentación al lazo debajo del flotador anillo de montaje. (Fig. 2)
 - f) Conecte un cable de amarre (no incluido) utilizando dos ubicaciones de montaje exteriores en lados opuestos del flotador de la fuente (Fig. 2).

Fig. 3



Fig. 4



g) Instalación de la Fuente de luz conjunto Airmax LED (se vende por separado) (Fig. 5)

- i) Para colocar la luz, cortar la luz en el lugar de montaje en la carroza y utilizar el tornillo de tensión vertical para asegurar la luz en su lugar. Continúe hasta que se adjuntan todas las luces. Sea consciente de las diferentes longitudes de cable de interconexión entre las luces. El conjunto 2-luz y 4-luz debe ser cortado en las posiciones de montaje en el interior.

Nota: Si instala 8 luces, utilice pequeños agujeros en el flotador para las líneas de amarre.

- ii) Después de fijar el sistema de la luz Airmax Fuente LED al flotador, conecte el cable de alimentación al equipo de la luz de desconexión rápida. Ajuste las luces para que apunte a la dirección deseada.

- iii) Conecte el juego de luces cable de alimentación de reducción de tensiones a uno de los bucles por debajo del flotador del anillo de montaje.

h) Recoge la fuente por el flotador y el lugar en el agua.

Nota: Se requiere un mínimo de 24" de agua para su correcto funcionamiento.

- i) Ate un lado de la cuerda de amarre a una estaca y colocar la estaca firmemente en el suelo.
- j) Tome el otro juego y amarre de cuerda y caminar alrededor de la laguna, tirando con cuidado la fuente a través del agua. Una vez que la fuente está en posición, atar la segunda cuerda de amarre para el segundo juego y colocar firmemente en el suelo.
- k) Garantizar tanto amarre cuerdas estén ajustadas para evitar la fuente de torsión y desplazamiento durante la operación.

Nota

Una vez que las luces se instalan y recortadas en posición, ajustar las luces de dirección deseada.

**C. Operar las EcoSeries Fuente flotante por primera vez (Fig. 6)**

- 1) Conecte el panel de control en una fuente de energía.
- 2) Asegúrese botón de reinicio de GFCI se empuja en.
- 3) Establecer pasadores temporizador para ciclos de ejecución deseados o 24 horas.
 - a) Si usted está utilizando su fuente para la aireación, se recomienda ejecutar la fuente de un mínimo de 10 a 12 horas por día, a pesar de correr más tiempo puede aumentar los beneficios.
- 4) Conecte las EcoSeries flotante cable de alimentación de la fuente a la toma de panel de control con la etiqueta "FUENTE".
- 5) Si se instala la Fuente Set Luz Airmax LED, enchufe el cable de alimentación del sistema de la luz en la toma de panel de control con la etiqueta "luces".
 - a) Pueden ser necesarios ajustes angulares menores a las luces para asegurar las luces están iluminando el patrón de pulverización correctamente.
 - b) Luces sólo funcionarán cuando la fuente está en marcha y la fotocélula ha activado las luces. **Nota: La colocación de su panel de control en un área fuertemente la sombra o en un lugar oscuro activará las luces continuamente cuando la fuente está en marcha.**

**4. Mantenimiento y almacenamiento de invierno****A. Mantenimiento**

- 1) Desconecte toda la alimentación de la fuente y luces antes de realizar cualquier tarea de mantenimiento.
- 2) Limpie periódicamente la rejilla de admisión fuente de escombros, las algas y / o malezas acuáticas.
- 3) Lente de juego de luces Limpie periódicamente con un cepillo no abrasivo y limpiador.
- 4) Cuando se ejecuta la fuente de agua sucia o agua con depósitos de alta minerales, rotor limpia cada 12 meses o cuando sea necesario. Vea el **Cómo-A de Video** en airmaxeco.com/ecoserries

B. Remoción de Invierno y Almacenamiento

- 1) Remove the fountain and lights from the pond before ice begins to form.
- 2) Este es el momento perfecto para limpiar o poder lavar restos de papel en la unidad antes de almacenarla.
- 3) Se recomienda desconectar las luces de fuente y almacén en una zona superior temperaturas bajo cero.

C. Inspección de instalación de Primavera

- 1) Antes de volver a instalar la fuente y luces en la primavera, compruebe el estado del cable de alimentación, conectores de desconexión rápida y sustituir las juntas tóricas que pueden ser quebradas.

Si la fuente no se ejecutará

Problema	Corrección
GFCI Disparado	Restablecer GFCI
Cortar el cable eléctrico	Reparar o sustituir el cable de alimentación
Ingesta enchufado	ingesta Clean
El temporizador no se ejecuta	Verifique temporizador es mantener el tiempo, reemplace temporizador si no
Excursionistas temporizador no están correctamente ajustadas	Encendido / Apagado excursionistas correctamente
No hay suficiente agua en el depósito	Que el nivel llegue agua a por lo menos 24" en la fuente
Fuente impulsor atascado	Retire fuente, limpio reemplazar el impulsor
Disyuntor ha saltado por sobrecorriente	Reducir la carga de corriente en el circuito, compruebe otros equipos
Disyuntor ha saltado a GFCI	Revise el cable de alimentación presenta cortes, reemplace / reparación

Si boquilla tiene corrientes de baja calidad

Problema	Corrección
Ingesta enchufado	ingesta Clean
No hay suficiente agua en el depósito	Que el nivel llegue agua a por lo menos 24" en la fuente
Escombros atrapado en el agujero de la boquilla	Retire la boquilla, limpio, reemplace
El agua que viene sobre el flotador	Compruebe flotador fuente de agua, sustituir en su caso

Si se inicia fuente y paradas

Problema	Corrección
Ingesta enchufado	ingesta Clean
No hay suficiente agua en el depósito	Que el nivel llegue agua a por lo menos 24" en la fuente

Si corrientes suben y bajan

Problema	Corrección
No hay suficiente agua en el depósito	Que el nivel llegue agua a por lo menos 24" en la fuente
El agua que viene sobre el flotador	Compruebe flotador fuente de agua, sustituir en su caso

Si la fuente zumbido - corriendo

Problema	Corrección
funcionamiento normal	nada

Si la fuente del tarareo - no correr

Problema	Corrección
Ingesta enchufado	ingesta Clean
Tensión no lo suficientemente altos para el arranque	Asegúrese de que la tensión en el receptáculo es de 120V + -5%
Fuente impulsor atascado	Retire fuente, limpio reemplazar el impulsor
rotor bloqueado	Rotor Limpie con un cepillo de limpieza

6. Solución de problemas - Luces LED

Si todas las luces

Problema	Corrección
GFCI Disparado	Restablecer GFCI
Corte del cable de alimentación	Reparar o sustituir el cable de alimentación
El agua en los accesorios	Contacto Airmax o distribuidor local para la reparación / reemplazo
Tensión no lo suficientemente altos para el arranque	Asegúrese de que la tensión en el receptáculo es de 120V + -5%
El temporizador no se ejecuta	Verifique temporizador es mantener el tiempo, reemplace temporizador si no
Excursionistas temporizador no están correctamente ajustadas	Encendido / Apagado excursionistas correctamente
Fotocélula defectuosa	Reemplace fotocélula

Si uno o más (no todas) las luces apagadas

Problema	Corrección
El agua en los accesorios	Contacto Airmax o distribuidor local para la reparación / reemplazo
Conductor bombilla LED no	
Bombilla LED fracasó	

Si las luces parpadean

Problema	Corrección
El agua en los accesorios	Contacto Airmax o distribuidor local para la reparación / reemplazo
Tensión no lo suficientemente altos para el arranque	Asegúrese de que la tensión en el receptáculo es de 120V + -5%
Conductor bombilla LED no	Contacto Airmax o distribuidor local para la reparación / reemplazo

Si las luces se encienden y apagan intermitentemente

Problema	Corrección
El agua en los accesorios	Contacto Airmax o distribuidor local para la reparación / reemplazo
Fotocélula defectuosa	Reemplace fotocélula
Conductor bombilla LED no	Contacto Airmax o distribuidor local para la reparación / reemplazo

Si las luces se apagan

Problema	Corrección
Tensión no lo suficientemente altos para el arranque	Asegúrese de que la tensión en el receptáculo es de 120V + -5%
Lente puede estar sucio	Limpia con un cepillo no abrasivo o un limpiador

Si uno o más (no todos) Dim lights

Problema	Corrección
El agua en los accesorios	Contacto Airmax o distribuidor local para la reparación / reemplazo
Fotocélula defectuosa	Reemplace fotocélula
Conductor bombilla LED no	Contacto Airmax o distribuidor local para la reparación / reemplazo

Piezas de recambio Fuente

1. #651310 – Tuerca de boquilla

Patrón de pulverización

2. #651164 – Patrón clásico (4185)
 3. #651703 – Patrón Crown & Trompeta (1037-iB)
 4. #651708 – Patrón Trompeta (1009-C)
 5. #653100 – Flotador montar medio anillo
 6. #651253 – Flotador perno anillo de montaje, 1/4 - 20 x 3/4"

Motor de bomba

7. #651311 – Junta tórica cuerno de descarga
 8. #651716 – 1/2 motor de la bomba HP con desconexión rápida y el cuerno de descarga, 120V
 A. #651272 – Pernos de montaje del motor superior
 B. #651146 – Carcasa de acero inoxidable
 C. #651147 – Placa de montaje del rotor
 D. #651144 – Conjunto de rotor e impulsor
 E. #651142 – Carcasa de entrada inferior
 F. #651188 – Tornillo de entrada inferior
 G. #651141 – Pantalla de succión inoxidable
 H. #651143 – Tuerca de pantalla de succión
 I. #651148 – Titular de rodamiento
 J. #651273 – Anillo de bloqueo del rotor con hardware

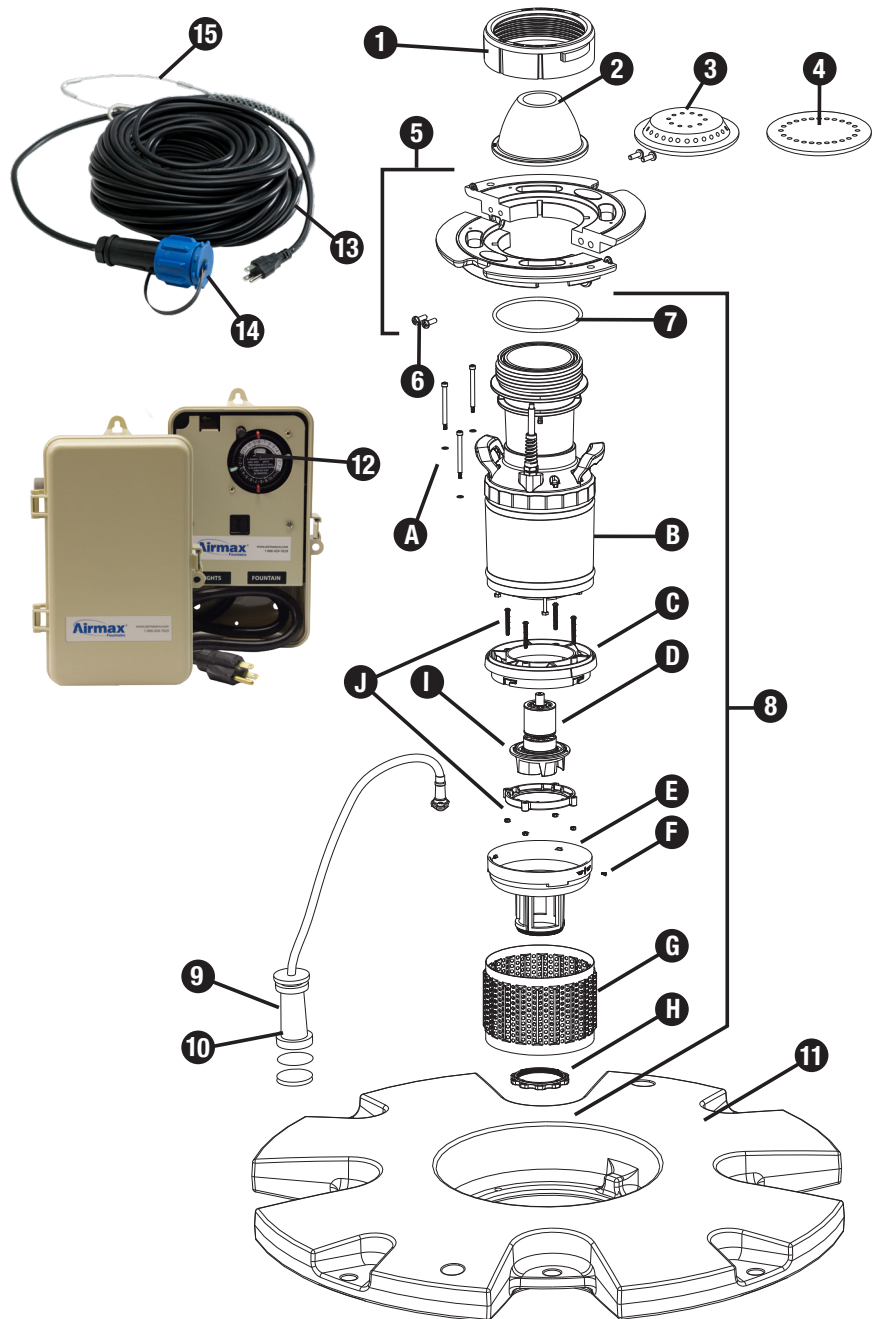
9. #651163 – Tapa Mujer, la junta tórica
 10. #651357 – Potencia tapa del extremo del cordón, hembra
 11. #651500 – Flotador
 12. #651715 – Panel de control

Cable de alimentación

13. Opciones Cable de alimentación

- #651378 – 100 pies, 16/3
 #651379 – 150 pies, 14/3
 #651380 – 200 pies, 14/3
 #651415 – 250 pies, 12/3
 #651416 – 300 pies, 10/3
 #651544 – 350 pies, 10/3
 #651545 – 400 pies, 10/3

14. #651356 – Tapa del extremo del cable de alimentación, masculino
 15. #651060 – Descarga de tracción (16, 14 gauge)
 #651061 – Descarga de tracción (12 gauge)

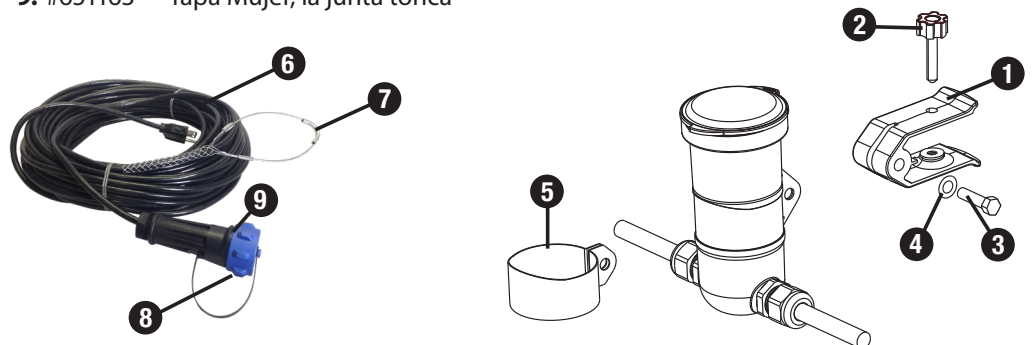


Piezas de repuesto de luz LED

1. #651307 – Abrazadera de montaje
 2. #651325 – Tornillo de tensión, 1/4 - 20 x 1 1/4"
 3. #651722 – Tornillo, 1/4 - 20 x 1 1/4"
 4. #651723 – Arandela, 1/4"
 5. #651308 – Abrazadera de banda
 6. #651060 – Descarga de tracción (16 gauge)
 7. #651060 – Descarga de tracción (16 gauge)
 8. #651357 – Potencia tapa del extremo del cordón, hembra
 9. #651163 – Tapa Mujer, la junta tórica

6. Power Cord Options

- #652646 – 100 pies, 16/3
 #652647 – 150 pies, 16/3
 #652648 – 200 pies, 16/3
 #652649 – 250 pies, 16/3
 #652667 – 300 pies, 16/3
 #652668 – 350 pies, 16/3
 #652669 – 400 feet, 16/3



Airmax EcoSeries flottant



- Facile à installer, sans outils
- Asynchrone refroidi à l'eau moteur, carbure de silicium (SiC) Arbre roulement et l'arbre en céramique
- Efficacité énergétique, moteur entièrement scellé. 5.8A, 696W @ 120V, UL - énumérés
- Écran en acier inoxydable et le corps d'aspiration
- Ingénierie année en plastique décharge et des injecteurs Pièces
- Fonctionne en aussi peu que 24" de profondeur de l'eau
- Comprend trois types de jets, classique, Trompette et Crown and Trumpet, Premium buses disponibles
- Livré en standard avec 100' Power Cord. Disponible en 150', 200', 250', 300', 350' et 400' Power Cord Longueurs
- Inclus Panneau de configuration pour Fountain et kits d'éclairage en option
- EcoSeries Garantie de 3 ans
- Panneau de Commande Garantie de 3 ans
- Fournit l'aération pour les étangs jusqu'à 1/4 acres, 6' de profondeur. Les grands bassins seront nécessiter l'ajout d'air diffusé ou multiples fontaines

2. Consignes de sécurité importantes

- En aucun cas devrait-on entrer dans l'eau avec l'équipement électrique branché et / ou en exploitation
- AVERTISSEMENT - Risque de choc électrique - Cette fontaine est fournie avec un conducteur de mise à la terre et une fiche de mise à la terre. Pour réduire le risque de choc électrique, se assurer qu'il est connecté uniquement à une mise à la terre, de terre réceptacle. Cette fontaine n'a pas été étudiée pour une utilisation dans des zones de baignade de la piscine.
- Utilisez toujours un GFCI protégée réceptacle ou le disjoncteur pour cette fontaine.
- Ne jamais faire fonctionner l'unité hors de l'eau. Cela pourrait endommager les joints d'étanchéité et de créer une situation dangereuse pour l'opérateur.
- Ne jamais soulever ou faites glisser la fontaine par le cordon d'alimentation. Des poignées sont prévues pour le levage et le transport.
- Pendant des températures glaciales, retirez fontaine et stocker à l'intérieur.
- Si vous installez la fontaine d'un bateau ou d'un radeau toujours porter un Life Guard approuvé vêtement de flottaison individuel.
- Utilisez toujours un électricien qualifié pour installer une source d'alimentation à côté de votre étang.

1. Des composants du système



Panneau de Commande



Trompette



Crown & Trompette



Classique

Motifs de pulvérisation



Cordon d'alimentation

avec la souche fixation du câble de secours
100', 150', 200', 250', 300', 350' et 400'

Fig. 1

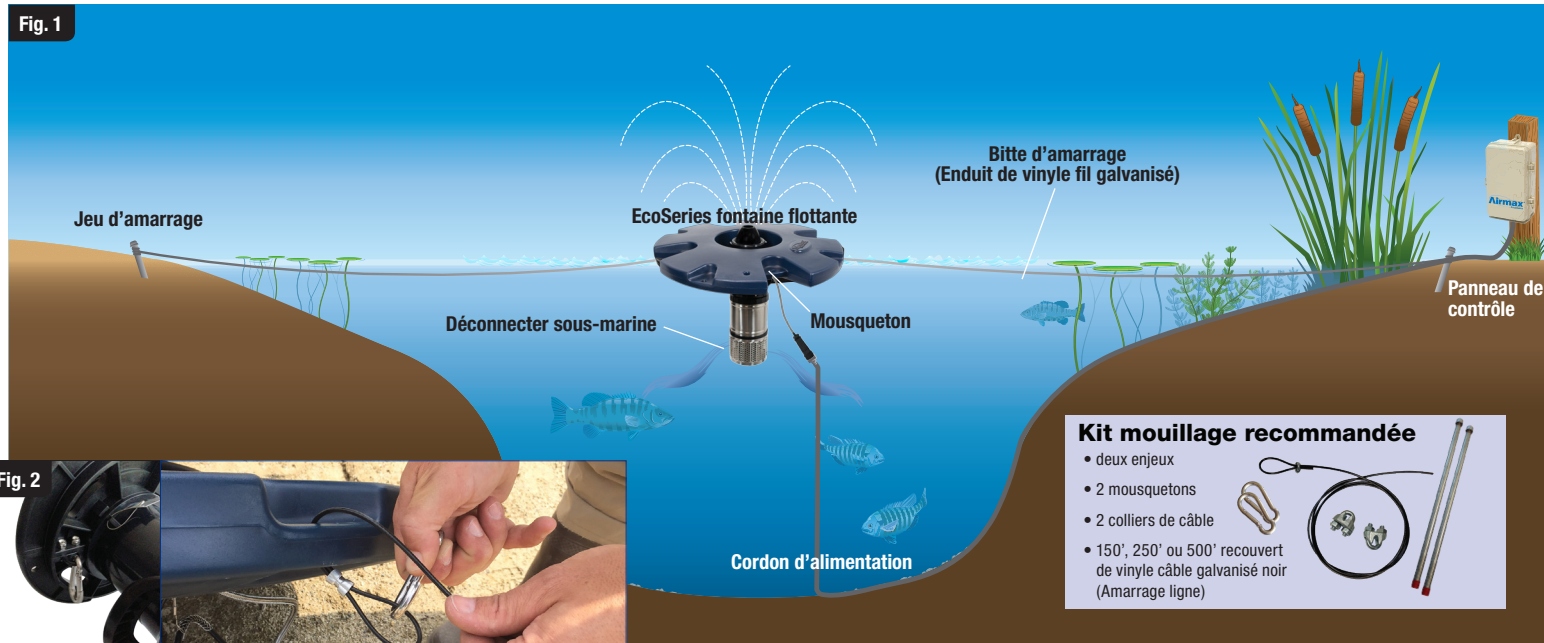


Fig. 2



Soulagement des contraintes

Kit d'amarrage

Kit mouillage recommandée

- deux enjeux
- 2 mousquetons
- 2 colliers de câble
- 150', 250' ou 500' recouvert de vinyle câble galvanisé noir (Amarrage ligne)

**A. Les composants du système dans la boîte:**

1. Pompe Fontaine avec déconnexion rapide, flotter bague de montage et de jet de peinture classique (installé)
2. Float - Bleu
3. Cordon d'alimentation
4. Panneau de configuration
5. Crown & Trompette du jet (interchangeables)
6. Trompette du jet (interchangeables)

Options de kit d'amarrage:

#651052 – 150' kit mouillage

#651054 – 250' kit mouillage

#651055 – 500' kit mouillage

* Kit mouillage non inclus avec fontaine

B. Prepping l'EcoSeries pour l'installation:

- 1) Vérifiez que vous disposez puissance proche de votre bassin. Si vous ne le faites pas, nous vous recommandons de toujours utiliser un électricien agréé pour exécuter correctement la puissance vers l'étang.
- 2) Montez le Panneau de configuration dans une position fixe à côté de la source d'alimentation.
- 3) Choisissez votre forme de jet (Fig. 3)
 - a) Le EcoSeries est livré avec le motif de pulvérisation classique installé. Toutefois, le EcoSeries comprend deux types de jets supplémentaires (Trompette et Crown & Trumpet). Choisissez celui que vous ou votre événement spécial convient le mieux.
 - b) Pour modifier un modèle, il suffit de dévisser l'écrou de buse, remplacer le motif et réinstaller l'écrou de buse.
- 4) Montage de l'unité (Fig. 4)
 - a) Poser le plat du flotteur sur le terrain avec Airmax logo vers le haut.
 - b) Placez l'ensemble de pompe de la fontaine au centre du flotteur.
 - c) Soulever le flotteur vers le haut et se assurer que la pompe de la fontaine cordon d'alimentation cordon passe par le trou central. Déposer délicatement la fontaine d'un côté.
 - d) Fixer solidement le cordon d'alimentation à la pompe fontaine plomb déconnexion rapide.
 - e) Fixez le cordon décharge de traction à la boucle sous le flotteur bague de montage. (Fig. 2)
 - f) Fixer un câble d'amarrage (non inclus) en utilisant deux emplacements de montage extérieurs sur les côtés opposés du flotteur de fontaine (Fig. 2).

Fig. 3



Fig. 4



g) Installation de la fontaine de lumière Set Airmax LED (vendu séparément) (Fig. 5)

- i) Pour fixer la lumière, couper la lumière dans la tache de montage sur le flotteur et utiliser la vis de tension verticale pour sécuriser la lumière en place. Continuez jusqu'à ce que toutes les lumières sont attachés. Soyez conscient des différentes longueurs de câble d'interconnexion entre les feux. Le 2-lumière et quatre-lumière jeu doivent être coupés dans les positions de montage à l'intérieur. **Remarque: si l'installation 8 lumières, utilisez de petits trous dans le flotteur pour les lignes d'amarrage.**
 - ii) Après avoir fixé la Lumière Set Airmax Fontaine LED au flotteur, branchez le cordon d'alimentation au kit d'éclairage déconnexion rapide. Régler les lumières pour pointer vers la direction souhaitée.
 - iii) Fixez la lumière mis cordon décharge de traction sur l'une des boucles sous le flotteur bague de montage.
- h) Ramassez la fontaine par le flotteur et le lieu dans l'eau. Remarque: un minimum de 24" d'eau est nécessaire pour un fonctionnement correct.**
- i) Attachez un côté de la corde d'amarrage à un jeu et d'enfoncer le pieu solidement dans le sol.
 - j) Prenez l'autre jeu et amarre et marcher autour de l'étang, tirant délicatement la fontaine à travers l'eau. Une fois que la fontaine est en position, attachez la seconde corde d'amarrage à la deuxième jeu et placer solidement dans le sol.
 - k) Assurer à la fois amarres sont bien ajustées pour empêcher la fontaine de se tordre et le déplacement pendant le fonctionnement.

Remarque

Une fois les lumières sont installées et coupées en position, régler les lumières pour direction souhaitée.



Fig. 5

C. Utilisation des EcoSeries fontaine flottante pour la première fois (Fig. 6)

- 1) Branchez le Panneau de configuration dans une source d'alimentation.
- 2) Assurez-vous que le bouton de réinitialisation GFCI est enfoncé.
- 3) Réglez les repères de minuterie à des cycles de fonctionnement souhaitée ou 24 heures.
 - a) Si vous utilisez votre fontaine pour l'aération, il est recommandé d'exécuter la fontaine un minimum de 10 à 12 heures par jour, mais en plus longtemps peut accroître les avantages.
- 4) Branchez les EcoSeries flottant cordon d'alimentation de la fontaine dans la prise Panneau de configuration marqué "fontaine".
- 5) Si la fontaine de lumière LED Set Airmax est installé, branchez le cordon d'alimentation de l'ensemble de la lumière dans la prise du panneau de commande étiqueté "lumières".
 - a) Réglages angulaires mineures peuvent être nécessaires pour les lumières pour assurer les lumières illuminent le motif de pulvérisation correctement.
 - b) Les lumières ne fonctionnera que lorsque la fontaine est en marche et la cellule photoélectrique a activé les lumières. **Remarque: Placer votre panneau de contrôle dans une zone fortement ombragée ou dans un endroit sombre activera les lumières en permanence lorsque la fontaine est en marche.**



Fig. 6

4. Entretien et de remisage d'hiver**A. Entretien**

- 1) Coupez toutes les alimentations de la fontaine et les lumières avant tout entretien.
- 2) Nettoyez régulièrement l'écran d'admission fontaine de débris, d'algues et / ou de mauvaises herbes aquatiques.
- 3) Nettoyez régulièrement la lentille de jeu de la lumière avec une brosse non-abrasive et plus propre.
- 4) Lors de l'exécution de la fontaine de l'eau sale ou de l'eau avec des dépôts de haute minérales, le rotor propre tous les 12 mois ou au besoin. Voir la vidéo **How-To** au airmaxeco.com/ecoseries

B. Déménagements et garde-Hiver

- 1) Retirer la fontaine et les lumières de l'étang avant que la glace commence à se former.
- 2) Ce est le moment idéal pour nettoyer ou de pouvoir laver les débris de l'appareil avant de le ranger.
- 3) Il est recommandé de débrancher les feux de fontaine et entreposer dans un endroit au-dessus des températures de congélation.

C. Inspection d'installation de Spring

- 1) Avant de réinstaller la fontaine et les lumières au printemps, vérifier l'état du cordon d'alimentation, connecteurs à déconnexion rapide et remplacer les joints toriques qui peuvent être cassées.

Si la fontaine ne fonctionne pas

QUESTION	CORRECTION
GFCI déclenché	Réinitialiser GFCI
Cordon coupe	Réparer ou remplacer le cordon d'alimentation
Apport branché	apport Clean
Minuterie ne fonctionne pas	Vérifiez la minuterie est de garder le temps, remplacer minuterie sinon
Excursionnistes minuterie ne sont pas correctement	Activé / désactivé excursionnistes correctement
Pas assez d'eau dans le réservoir	Apportez de l'eau niveau jusqu'à au moins 24" à la fontaine
Fontaine roue bloqué	Retirer fontaine, propre remplacer roue
Disjoncteur déclenché pour cause de surintensité	Réduire la charge de courant sur le circuit, vérifiez autres équipements
Disjoncteur déclenché à GFCI	Vérifiez le cordon d'alimentation pour les coupes, remplacez / réparation

Si buse a flux de mauvaise qualité

QUESTION	CORRECTION
Apport branché	apport Clean
Pas assez d'eau dans le réservoir	Apportez de l'eau niveau jusqu'à au moins 24" à la fontaine
Les débris pris dans le trou de buse	Retirer la buse, nettoyer, remplacer
Eau qui vient partout le flotteur	Vérifiez fontaine flotteur pour l'eau, remplacez le cas échéant

Si fontaine démarrages et arrêts

QUESTION	CORRECTION
Apport branché	apport Clean
Pas assez d'eau dans le réservoir	Apportez de l'eau niveau jusqu'à au moins 24" à la fontaine

Si les flux de descendre et monter

QUESTION	CORRECTION
Pas assez d'eau dans le réservoir	Apportez de l'eau niveau jusqu'à au moins 24" à la fontaine
Eau qui vient partout le flotteur	Vérifiez fontaine flotteur pour l'eau, remplacez le cas échéant

Si fontaine ronflement - en cours d'exécution

QUESTION	CORRECTION
Fonctionnement normal	rien

Si fontaine ronflement - ne fonctionne pas

QUESTION	CORRECTION
Apport branché	apport Clean
Tension pas assez élevé pour un démarrage	Assurez-vous que la tension au réceptacle est 120V + -5%
Fontaine roue bloqué	Retirer fontaine, remplacer propre roue
Rotor bloqué	Clean rotor avec une brosse à recurer

6. Dépannage - Lumières LED

Si tous les lumières

QUESTION	CORRECTION
GFCI déclenché	Réinitialiser GFCI
Cordon coupe	Réparer ou remplacer le cordon d'alimentation
Eau sur les appareils	Contactez Airmax ou revendeur local pour réparation / remplacement
Tension pas assez élevé pour un démarrage	Assurez-vous que la tension au réceptacle est 120V + -5%
Minuterie ne fonctionne pas	Vérifiez la minuterie est de garder le temps, remplacer minuterie sinon
Excursionnistes minuterie ne sont pas correctement	Activé / désactivé excursionnistes correctement
Cellule photoélectrique défectueuse	Remplacer cellule photoélectrique

Si un ou plusieurs (mais pas tous) se allume off

QUESTION	CORRECTION
Eau sur les appareils	Contactez Airmax ou revendeur local pour réparation / remplacement
Pilote d'ampoule LED échoué	
Ampoule LED échoué	

Si lumières clignotent

QUESTION	CORRECTION
Eau sur les appareils	Contactez Airmax ou revendeur local pour réparation / remplacement
Tension pas assez élevé pour un démarrage	Assurez-vous que la tension au réceptacle est 120V + -5%
Pilote d'ampoule LED échoué	Contactez Airmax ou revendeur local pour réparation / remplacement

Si les lumières allument et se éteignent par intermittence

QUESTION	CORRECTION
Eau sur les appareils	Contactez Airmax ou revendeur local pour réparation / remplacement
Cellule photoélectrique défectueuse	Remplacer cellule photoélectrique
Pilote d'ampoule LED échoué	Contactez Airmax ou revendeur local pour réparation / remplacement

Si lumières se éteignent

QUESTION	CORRECTION
Tension pas assez élevé pour un démarrage	Assurez-vous que la tension au réceptacle est 120V + -5%
Objectif peut-être sale	Nettoyer avec une brosse ou un nettoyeur non abrasif

Si un ou plusieurs (pas tous) les lumières tamisées

QUESTION	CORRECTION
Eau sur les appareils	Contactez Airmax ou revendeur local pour réparation / remplacement
Cellule photoélectrique défectueuse	Remplacer cellule photoélectrique
Pilote d'ampoule LED échoué	Contactez Airmax ou revendeur local pour réparation / remplacement

Remplacement de pièces Fontaine

1. #651310 – Buse écrou

Spray Pattern

2. #651164 – Motif Classique (4185)
 3. #651703 – Motif Crown & Trompette (1037-iB)
 4. #651708 – Motif Trompette (1009-C)
 5. #651284 – Flotter monter demi-anneau
 6. #651253 – Flotter boulon de bague de montage, 1/4 - 20 x 3/4"
 7. #651311 – Corne de décharge O-ring

Pump Motor

8. #651716 – 1/2 moteur de la pompe HP avec déconnexion rapide et de la corne de décharge, 120V
- A. #651272 – Boulons de montage supérieurs du moteur
 B. #651146 – Boîtier en acier inoxydable
 C. #651147 – Plaque de montage du rotor
 D. #651144 – Ensemble rotor et roue
 E. #651142 – Logement d'admission inférieur
 F. #651188 – Vis d'admission inférieure
 G. #651141 – Écran d'aspiration en acier inoxydable
 H. #651143 – Écrou de tamis d'aspiration
 I. #651148 – Support de roulement
 J. #651273 – Bague de verrouillage du rotor avec matériel
9. #651163 – ordon embout, femelle
 10. #651357 – Cordon embout, femelle
 11. #651500 – Flotteur
 12. #651715 – Panneau de contrôle

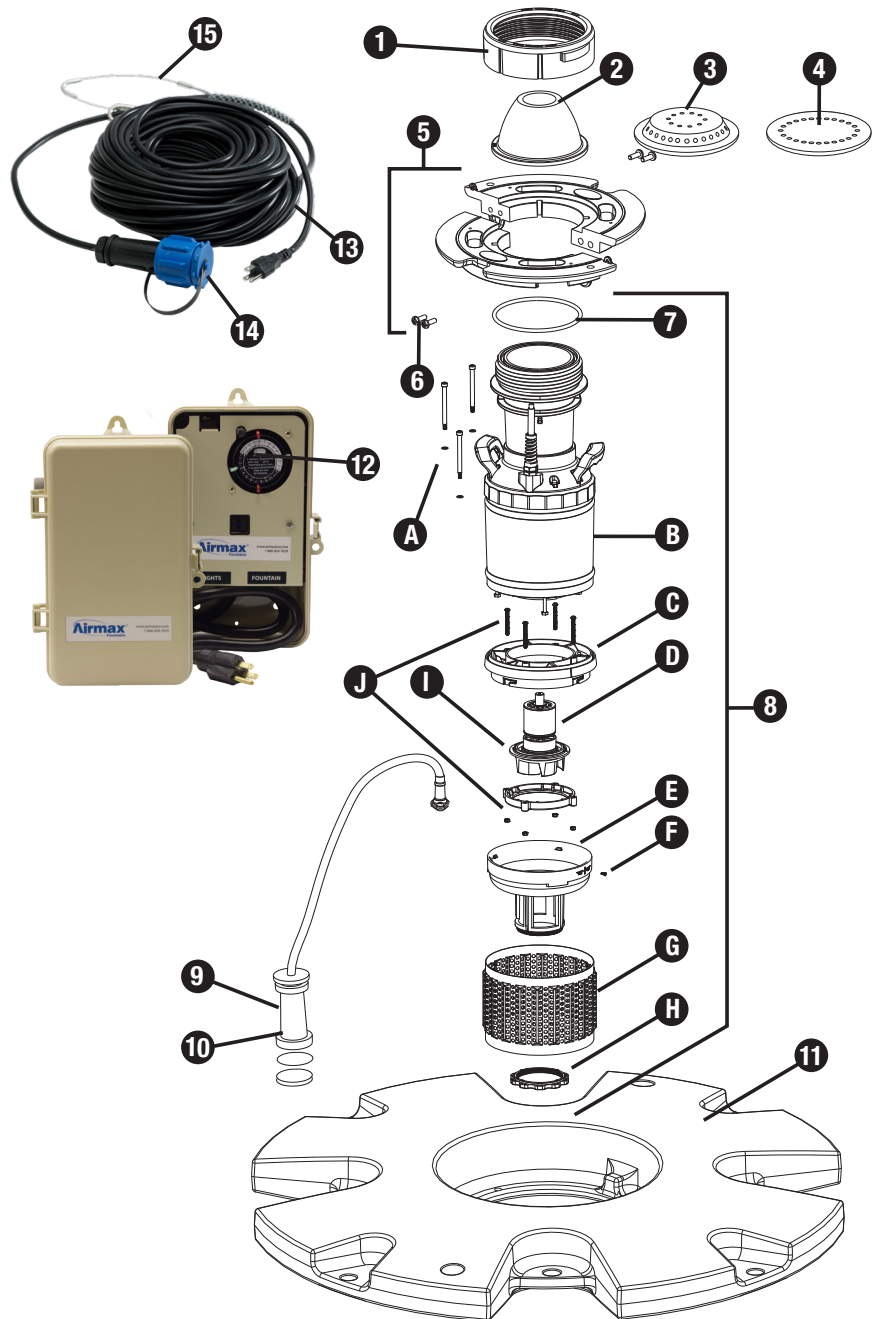
Power Cord

13. Power Cord Length Options

- #651378 – 100 pieds, 16/3
 #651379 – 150 pieds, 14/3
 #651380 – 200 pieds, 14/3
 #651415 – 250 pieds, 12/3
 #651416 – 300 pieds, 10/3
 #651544 – 350 pieds, 10/3
 #651545 – 400 pieds, 10/3

14. #651356 – Cordon embout, mâle

15. #651060 – Décharge de traction (16, 14 gauge)
 #651061 – Décharge de traction (12 gauge)

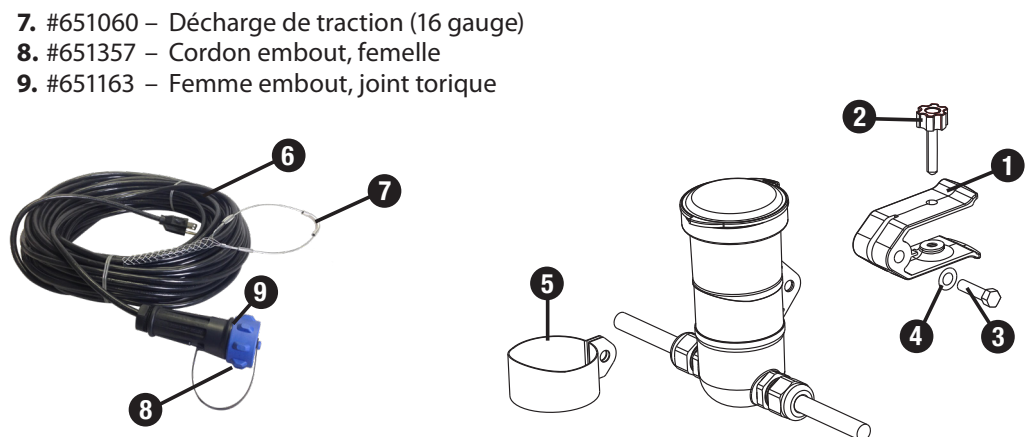


Pièces de rechange LED

1. #651307 – Collier de fixation
 2. #651325 – Vis de tension, 1/4 - 20 x 1 1/4"
 3. #651722 – Boulon, 1/4 - 20 x 1 1/4"
 4. #651723 – Rondelle, 1/4"
 5. #651308 – collier de serrage

6. Les options du cordon d'alimentation

- #652646 – 100 pieds, 16/3
 #652647 – 150 pieds, 16/3
 #652648 – 200 pieds, 16/3
 #652649 – 250 pieds, 16/3
 #652667 – 300 pieds, 16/3
 #652668 – 350 pieds, 16/3
 #652669 – 400 pieds, 16/3



Call your local Airmax Dealer with questions or to order parts.

Airmax, Inc.

Airmax EcoSeries Fountain

Limited Warranty

Airmax, Inc. warrants to the original purchaser (the end user) of any Airmax EcoSeries Fountain manufactured by Airmax, Inc. that any component which proves to be defective in materials or workmanship, as determined by the factory within 3 years from the original purchased date, will be repaired or replaced at no charge with a new or remanufactured part, and returned freight prepaid. The end user shall assume all the responsibility and expense for removal, packaging, and freight to ship to Airmax, Inc. to determine the warranty claim and for all reinstallation expenses. Note: EcoSeries control panels are covered under a 1 year warranty.

The warranty is void in cases where damage results from: improper installation, improper electrical connection, improper voltage, alteration, lightning, careless handling, misuse, abuse, disassembly of motor or failure to follow maintenance or operating instructions. Modification or repair by an unauthorized repair facility will void the warranty.

In no case will Airmax, Inc. or its dealers accept responsibility for any costs incurred by the user during installation, removal, inspection, evaluation, repair, parts replacement, or for return freight. Nor will any liability be accepted for loss of use, loss of profits, loss of goodwill, for consequential damage, or for personal injuries to the purchaser or any person.

In the event of problems believed to be covered under warranty, it will be necessary to notify the dealer who will try to help resolve the problem and who may contact the factory for additional assistance. If it is concluded that there may be a defect which may be covered under warranty, it will be necessary to get a Return Material Authorization (RMA) from the dealer before shipment. Freight collect shipments will not be accepted by the factory on warranties or repairs.

The product or part(s) must be returned freight prepaid, to the factory, as directed, and in its original packaging or in a container which will prevent damage. Parts returned under warranty and damaged during shipping will not be covered under warranty for the shipping damage. If the factory evaluation of the returned goods concludes that the failure is due to defects in materials or workmanship, the part or parts in question will be replaced under warranty with new parts, remanufactured parts, or will be repaired; at the factory's option. The warranty period for all parts supplied under warranty will terminate at the end of the original product's warranty. All warranty shipments from the factory will be shipped freight prepaid.

Warranty registration is HIGHLY recommended.

No implied warranties of any kind are made by Airmax, Inc. for its products, and no other warranties, whether expressed or implied, including implied warranties of merchantability and fitness for a particular purpose, shall apply. Should an Airmax, Inc. product prove to be defective in materials or workmanship, the retail purchaser's sole remedy shall be repair or replacement of the product as expressly provided above.

The manufacturer's warranty will begin from the dealer's original purchase date if the product is not registered. To register a product, you are required to fill out the warranty registration form at airmaxeco.com/warranty. Warranty registration must be submitted directly to Airmax within 30 days of the end-users purchase date.



Optional Single Arch Pattern



Optional Double Arch and Geyser Pattern



Optional Double Arch Pattern

For Information on Optional Spray Patterns,
Visit Us Online at airmaxeco.com/ecoseries

Airmax Inc.

Safe, Simple Solutions™

P.O. Box 38
Romeo, MI 48065

(866) 4-AIRMAX
airmaxeco.com

#651274 V2