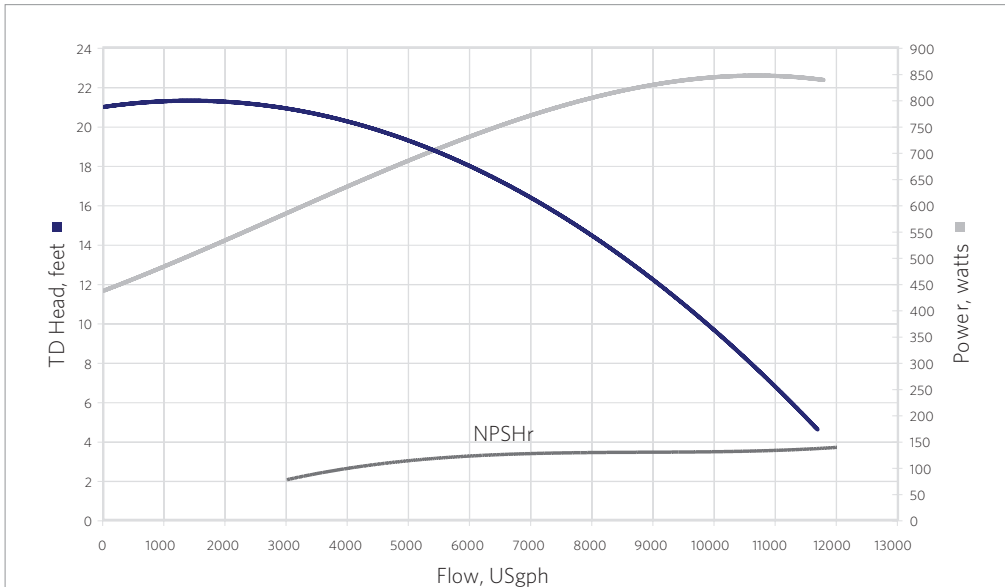


**Dimensions and illustrations are approximate and for reference only*

Sequence® Titan Series - Model 12000SEQ21

As large water features and high turnover requirements continue to gain popularity, the cost of energy does not. Imagine 12,000 GPH for less than 845 watts. The Sequence® Titan series is sure to cover most large scale water feature requirements.



Flow At Total Dynamic Head	4'	8'	12'	16'	20'
GPM	197	176	164	120	70
GPH	11820	10560	9840	7200	4200



5 YEAR LIMITED WARRANTY



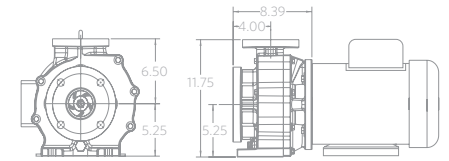
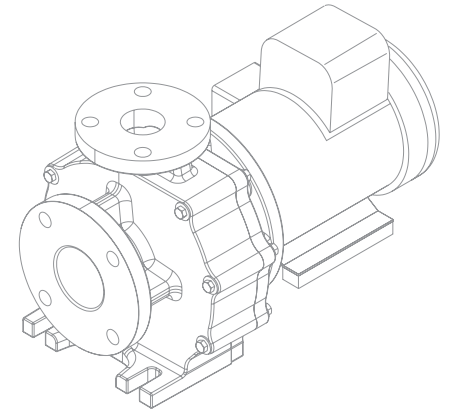
MANUFACTURED IN THE USA



TEFC FAN COOLED MOTOR

MODEL	12000SEQ21
INLET	3"
DISCHARGE	2"
MAX FLOW (gph)	12500
MAX HEAD (feet)	21'
MAX POWER (watts)	845
MAX CURRENT AMPS @ 115V	9.6
MAX CURRENT AMPS @ 230V	6
MOTOR HP	3/4
MOTOR TYPE	143JM
MOTOR ENCLOSURE	TEFC
PHASE	SINGLE

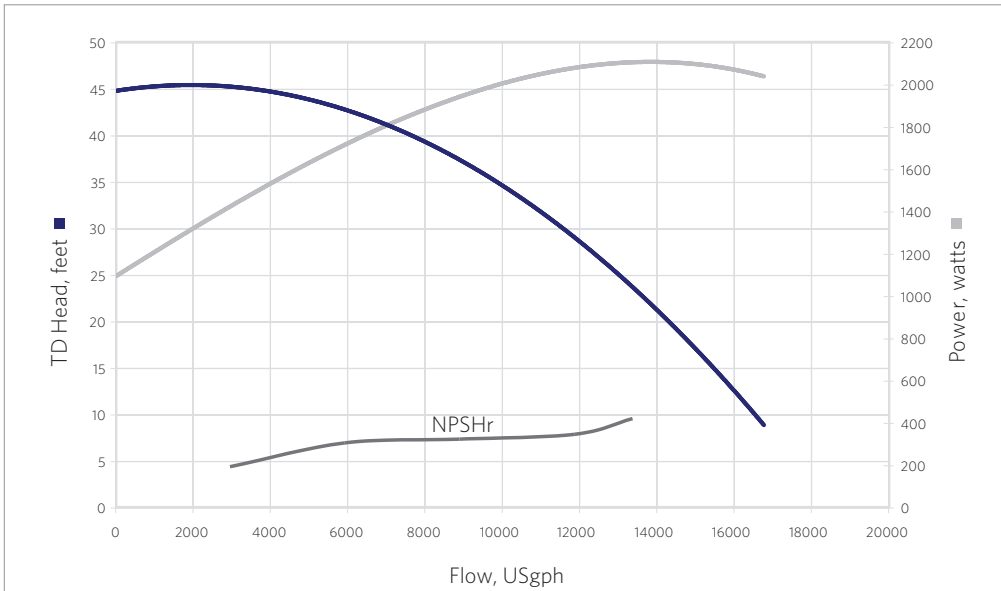




**Dimensions and illustrations are approximate and for reference only*

Sequence® Titan Series - Model 18000SEQ45

As large water features and high turnover requirements continue to gain popularity, the cost of energy does not. The Sequence® Titan series is sure to cover most large scale water feature requirements.



Flow At Total Dynamic Head	10'	20'	30'	40'	45'
GPM	275	238	192	125	60
GPH	16500	14280	11520	7500	3600



5 YEAR LIMITED WARRANTY



MANUFACTURED IN THE USA



TEFC FAN COOLED MOTOR

MODEL	18000SEQ45
INLET	3"
DISCHARGE	2"
MAX FLOW (gph)	18400
MAX HEAD (feet)	45'
MAX POWER (watts)	2110
MAX CURRENT AMPS @ 115V	27.1
MAX CURRENT AMPS @ 230V	10.8
MOTOR HP	3
MOTOR TYPE	184JM
MOTOR ENCLOSURE	TEFC
PHASE	SINGLE

